



US00D329259S

United States Patent [19]

Nakazawa et al.

[11] Patent Number: **Des. 329,259**

[45] Date of Patent: **** Sep. 8, 1992**

[54] HOUSING FOR WATER GAME

[75] Inventors: **Chieko Nakazawa; Michiaki Tomimatsu**, both of Tokyo, Japan

[73] Assignee: **Tomy Company, Ltd.**, Tokyo, Japan

[**] Term: **14 Years**

[21] Appl. No.: **653,127**

[22] Filed: **Feb. 11, 1991**

[30] **Foreign Application Priority Data**

Aug. 13, 1990 [JP] Japan 2-27477

[52] U.S. Cl. **D21/59**

[58] Field of Search D21/59, 63, 5, 27, 12; 273/1, 4, 350, 120 R; 446/267

[56] **References Cited**

U.S. PATENT DOCUMENTS

D. 251,312	3/1979	Matsumoto	D21/59
D. 265,917	8/1982	Hamaguchi et al.	D21/59
D. 269,359	6/1983	Itakura et al.	D21/59
3,239,956	3/1966	Canonica	446/267
4,032,141	6/1977	Tanimura	446/267

Primary Examiner—Charles A. Rademaker
Attorney, Agent, or Firm—Staas & Halsey

[57] **CLAIM**

The ornamental design for a housing for water game, as shown.

DESCRIPTION

FIG. 1 is a front elevational view of a housing for water game showing our new design; FIG. 2 is a rear elevational view thereof; FIG. 3 is a right side elevational view thereof; FIG. 4 is a left side elevational view thereof; FIG. 5 is a top plan view thereof; and, FIG. 6 is a bottom plan view.

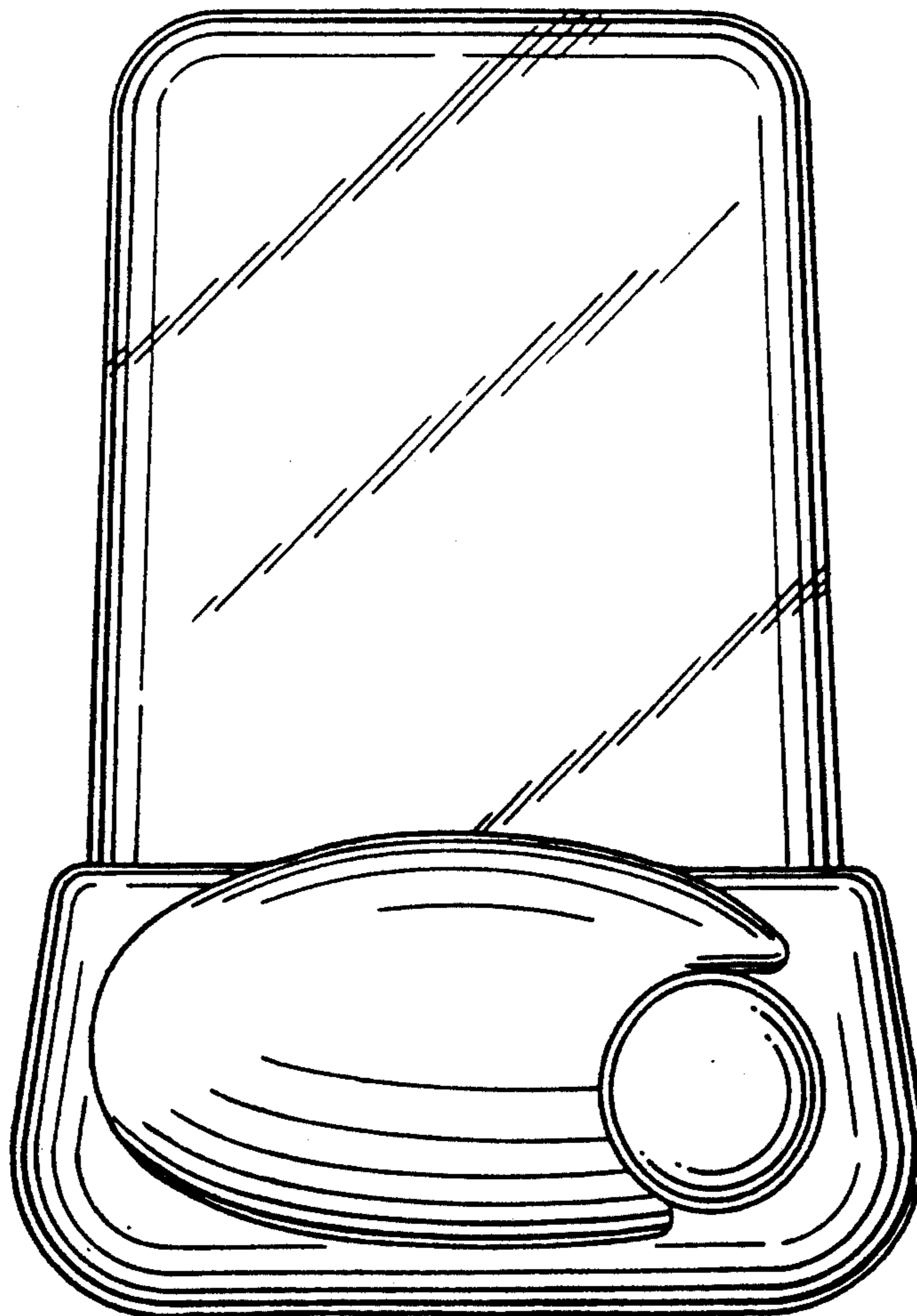


FIG. 2

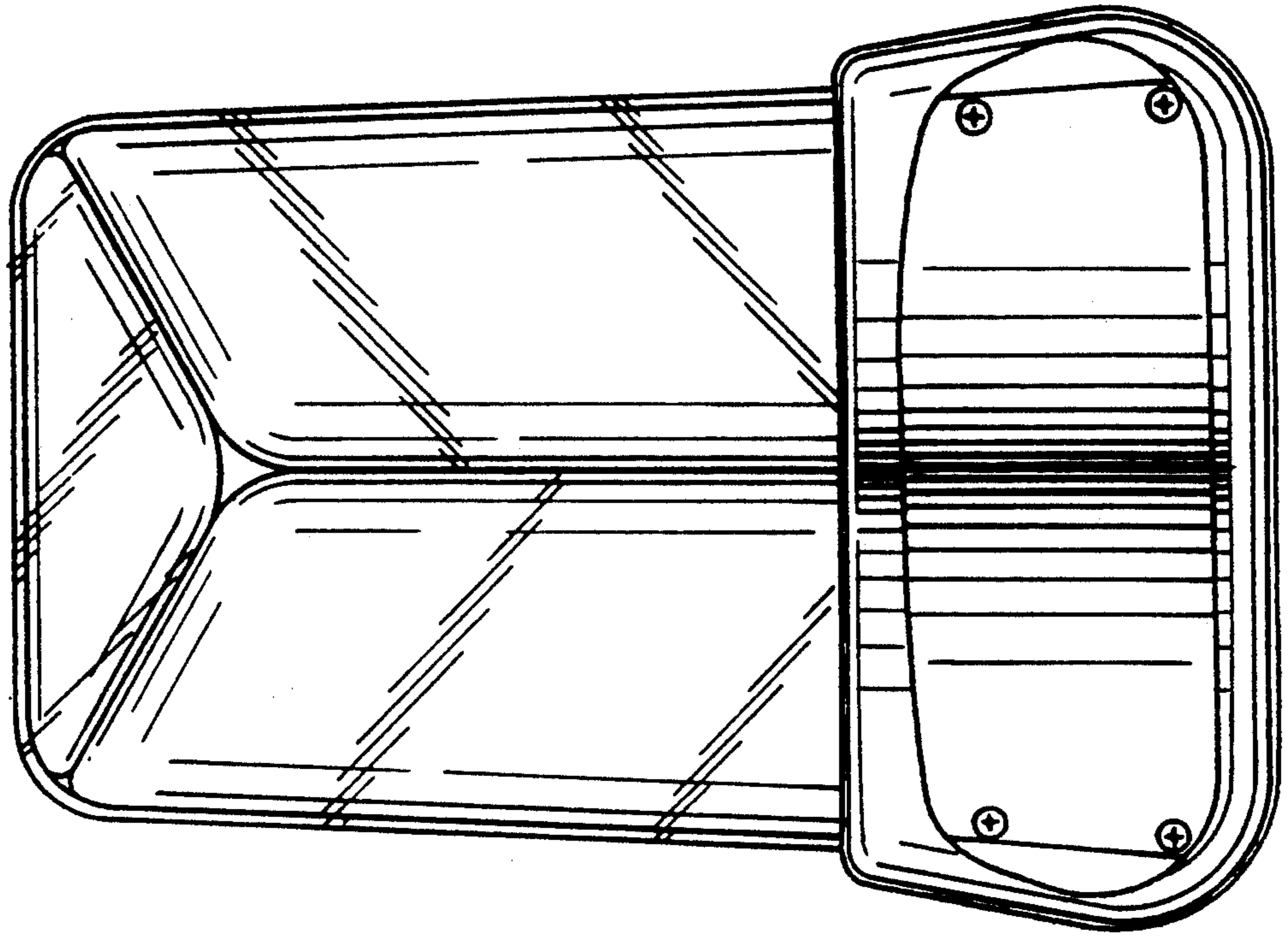


FIG. 1

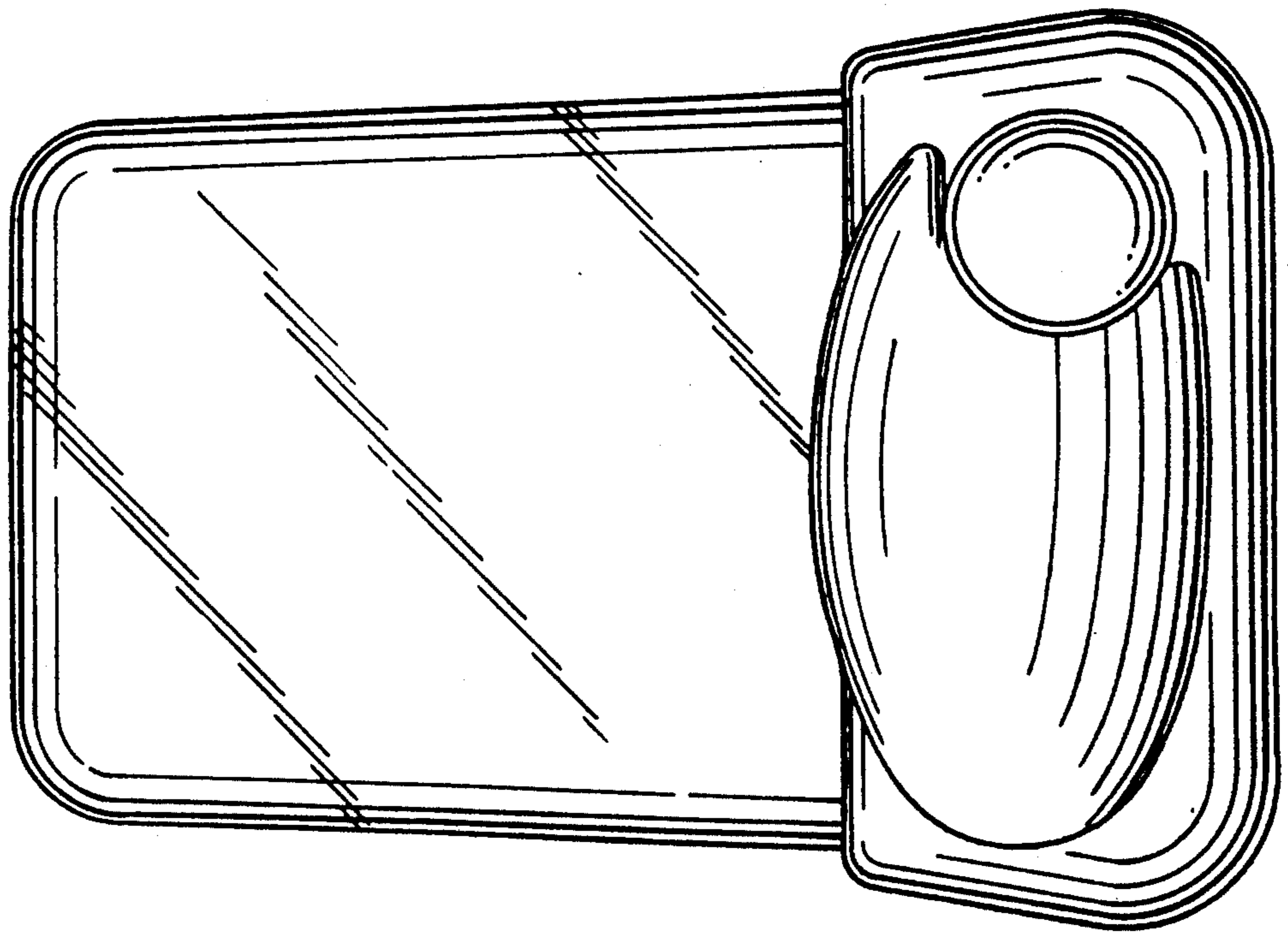


FIG. 4

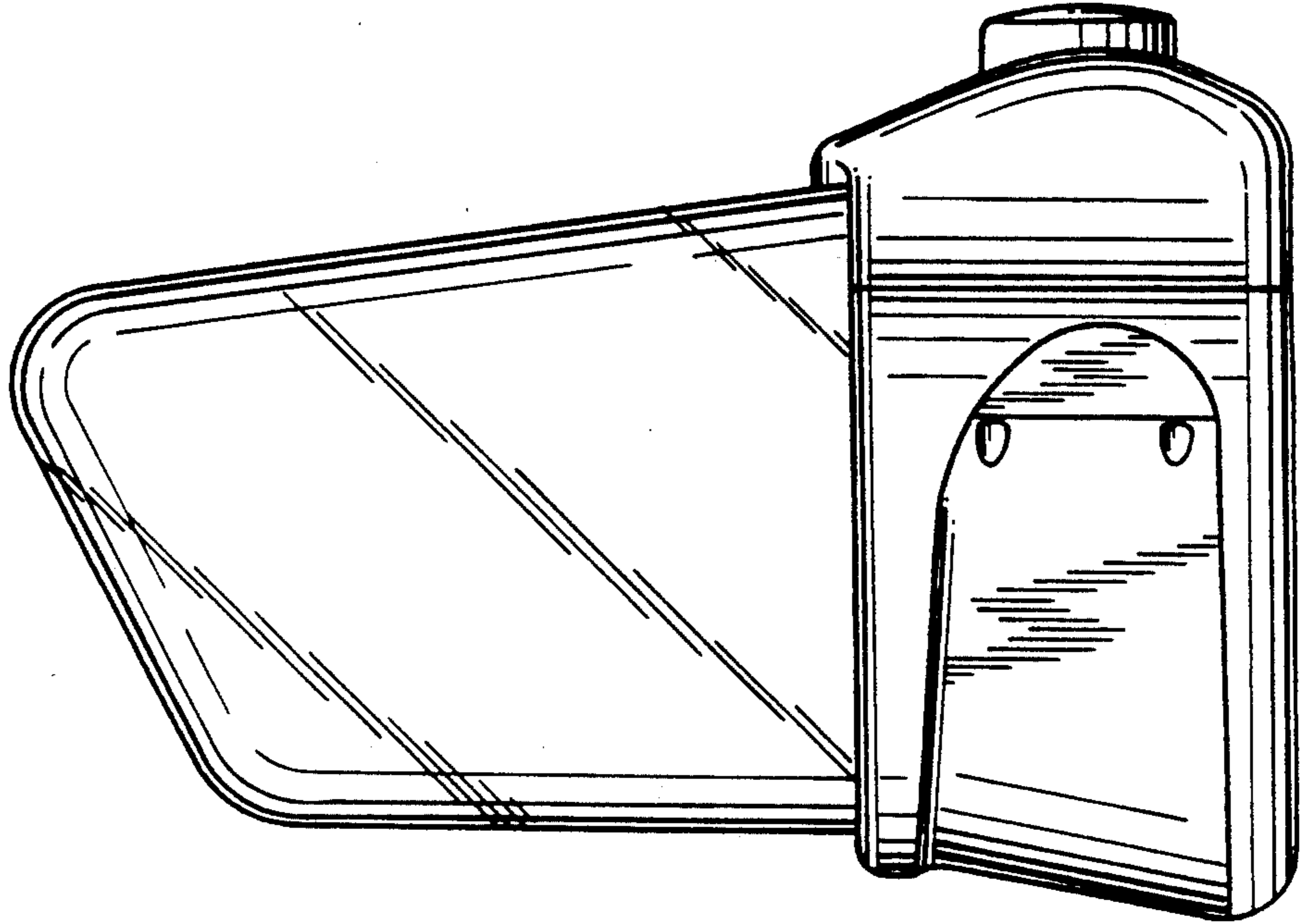


FIG. 3

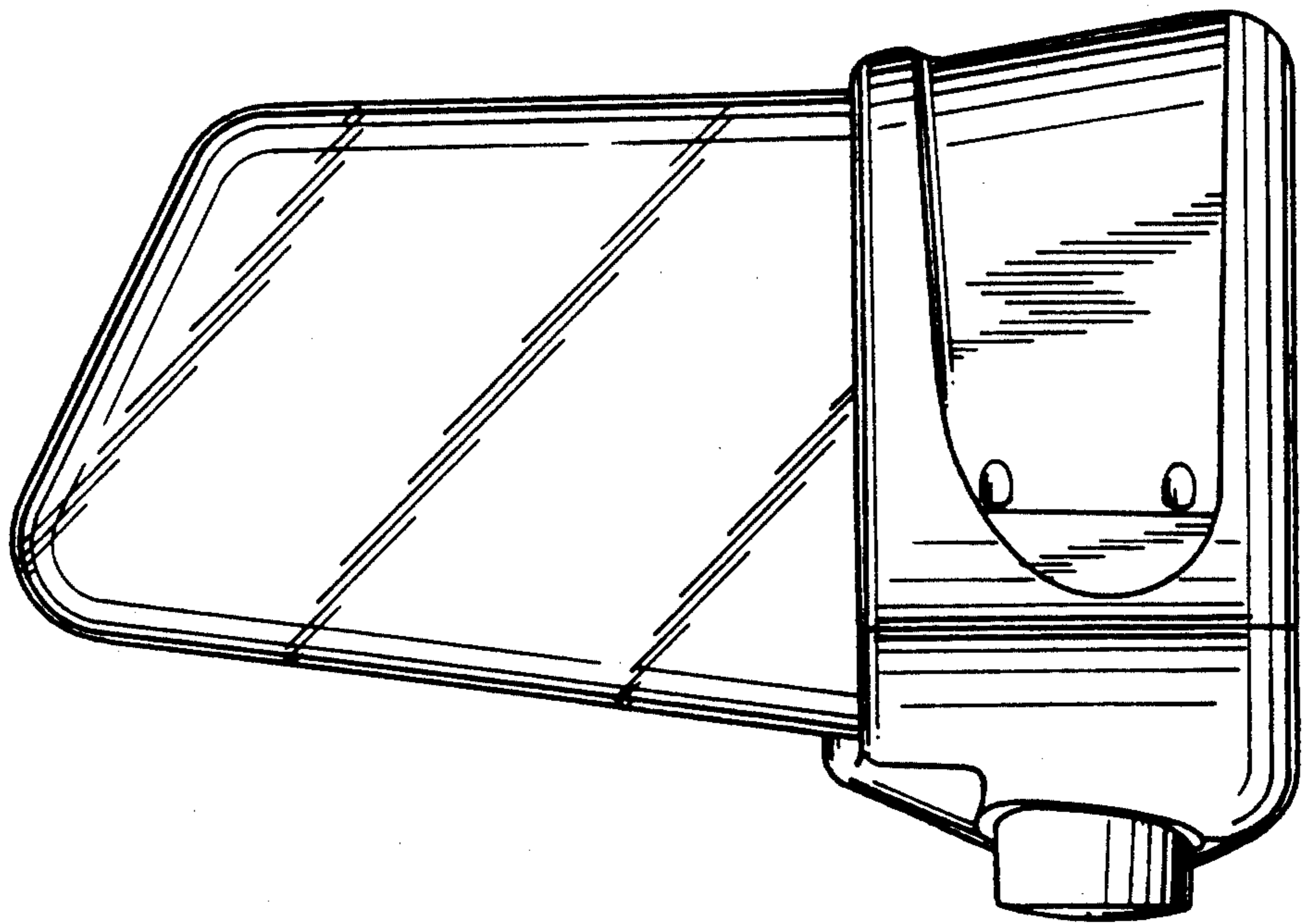


FIG. 5

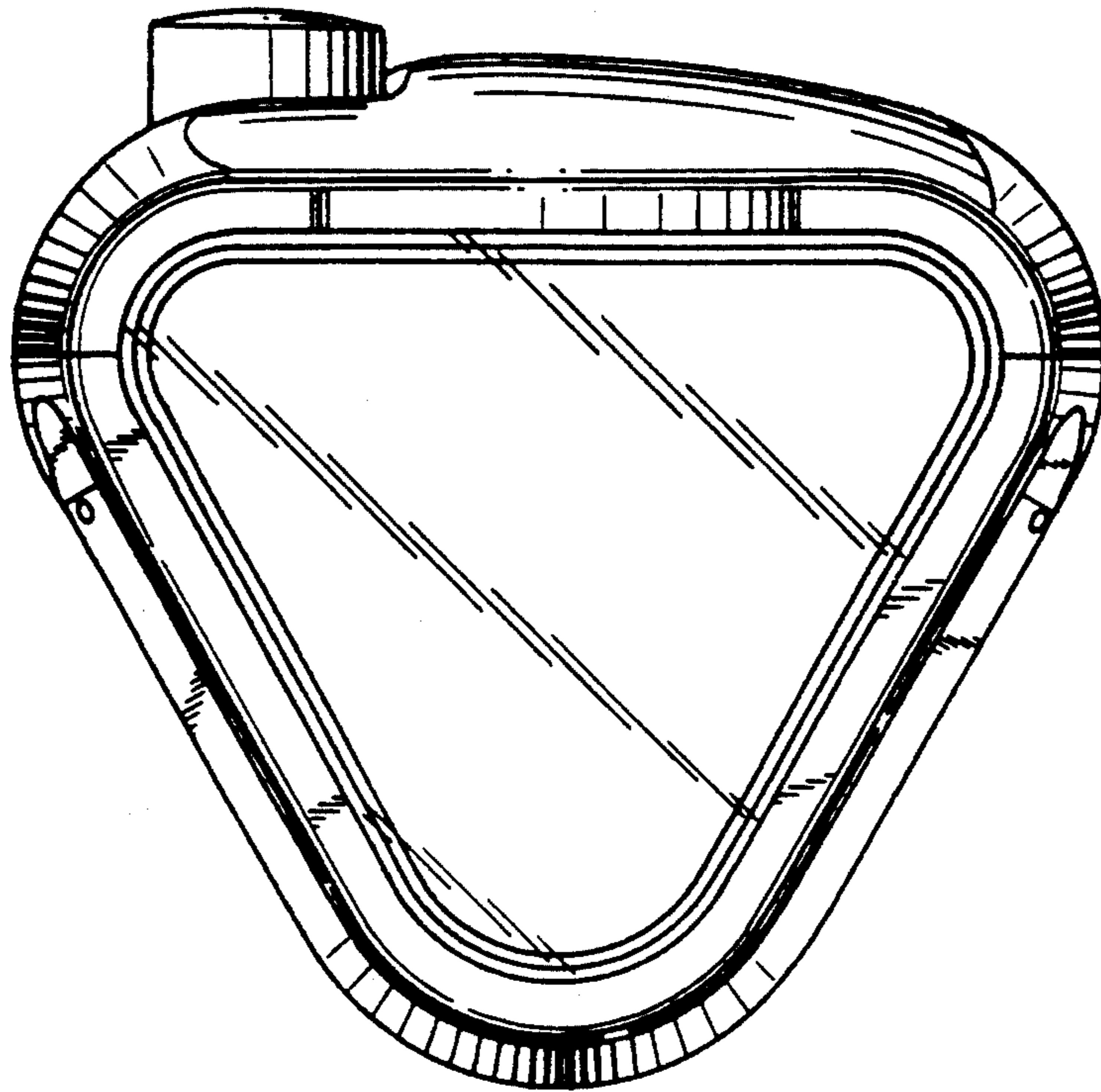


FIG. 6

