



US00D329254S

United States Patent [19]

[11] Patent Number: **Des. 329,254**

Mori

[45] Date of Patent: **** Sep. 8, 1992**

[54] **PUNCH**

[75] Inventor: **Chuzo Mori, Funabashi, Japan**

[73] Assignee: **Carl Jimuki Kabhshiki Kaisha, Tokyo, Japan**

[**] Term: **14 Years**

[21] Appl. No.: **541,244**

[22] Filed: **Jun. 20, 1990**

[52] U.S. Cl. **D19/72; D19/65**

[58] Field of Search **D8/98, 300, 306; D19/65, 72, 99, 100; 83/167, 454, 465, 467, 560, 588, 618, 633**

D. 289,776 5/1987 Goertz et al. D19/72
D. 306,460 3/1990 Mori D19/72
3,385,152 5/1968 Brown et al. D19/72 X

Primary Examiner—Nelson C. Holtje
Assistant Examiner—Martha Thompson
Attorney, Agent, or Firm—Armstrong & Kubovcik

[57] CLAIM

The ornamental design for a punch, as shown and described.

DESCRIPTION

FIG. 1 is a top, left front perspective view of a punch showing my new design;
FIG. 2 is a front elevation view thereof;
FIG. 3 is a top plan view thereof;
FIG. 4 is a right side elevational view thereof;
FIG. 5 is a left side elevational view thereof;
FIG. 6 is a rear elevational view thereof;
FIG. 7 is a bottom elevational view thereof; and,
FIG. 8 is a top, left front perspective view thereof with the handle member in a raised position.

[56] References Cited

U.S. PATENT DOCUMENTS

D. 193,230 7/1962 Klein D19/72
D. 193,231 7/1962 Klein D19/72
D. 233,951 10/1974 Buan D19/72
D. 251,600 4/1979 MacGregor D19/72
D. 283,035 3/1986 Goertz D19/72

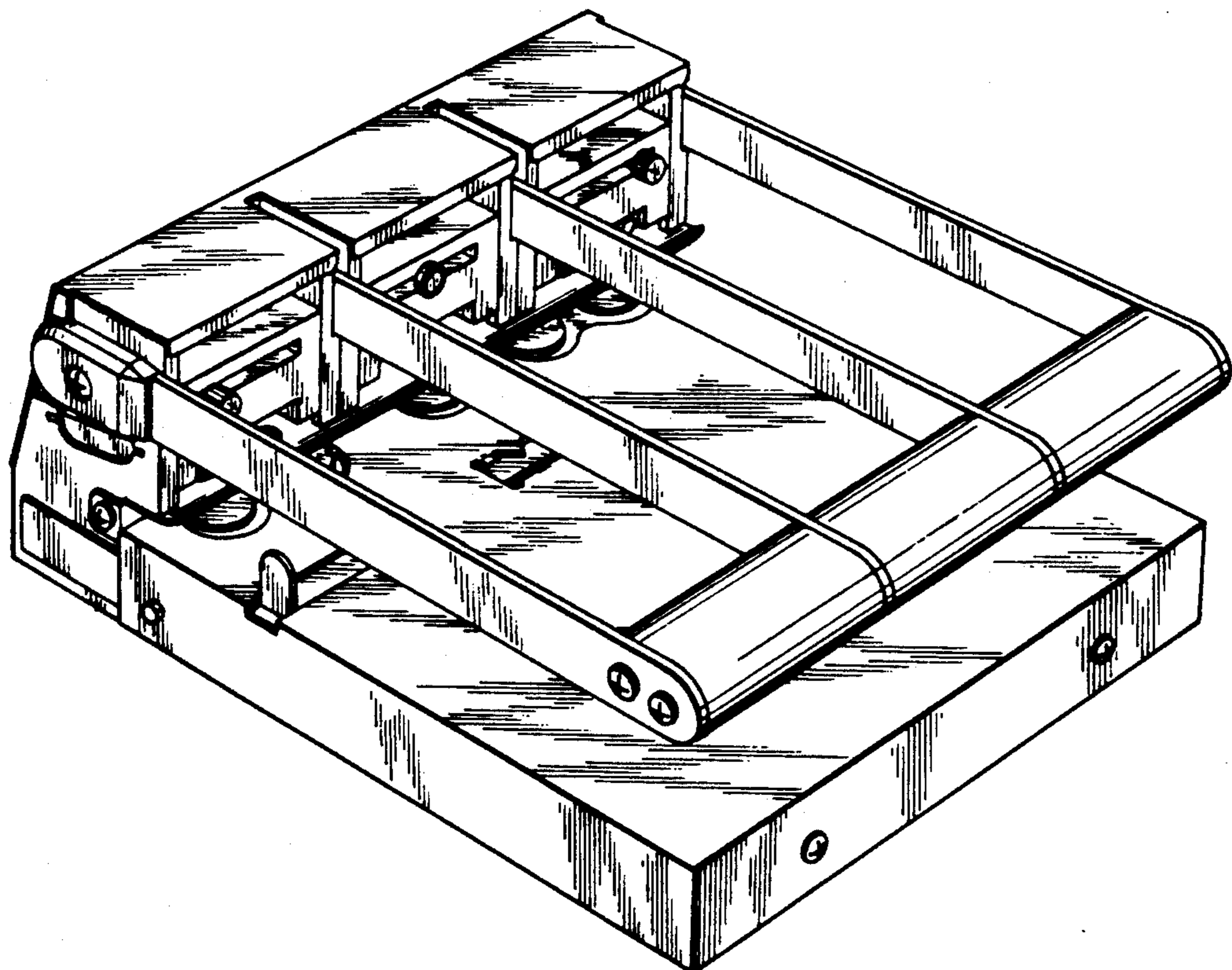


FIG. 1

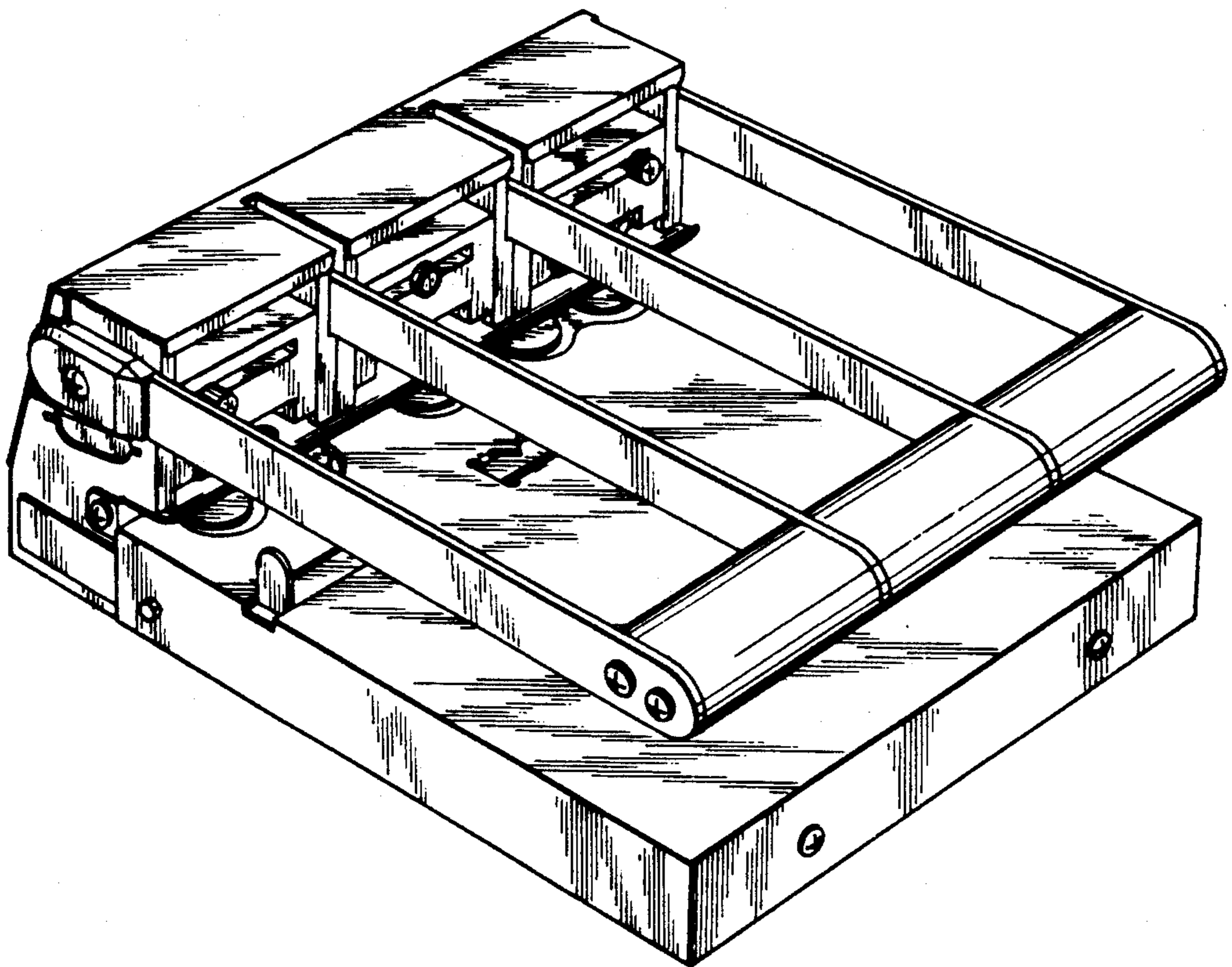


FIG. 2

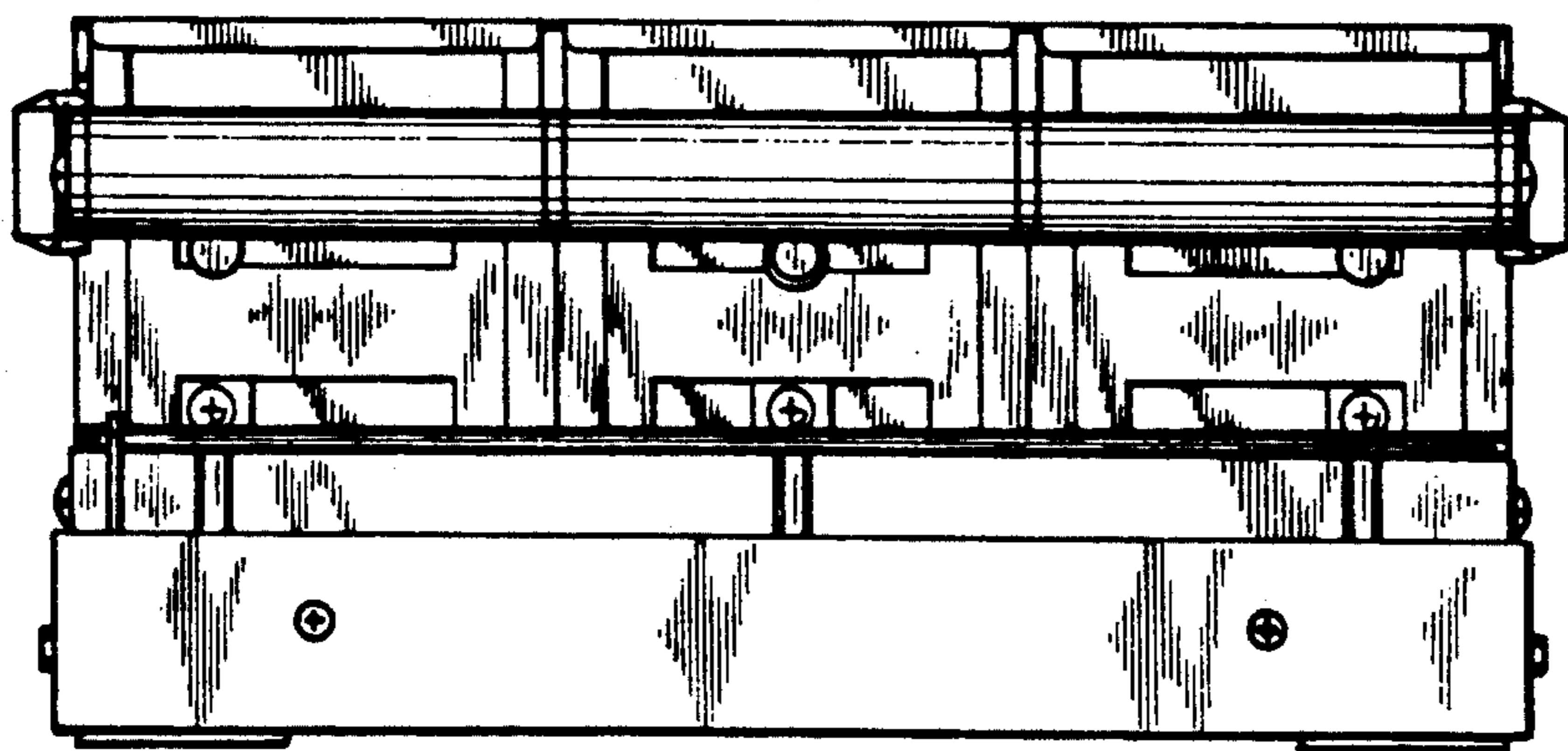


FIG. 3

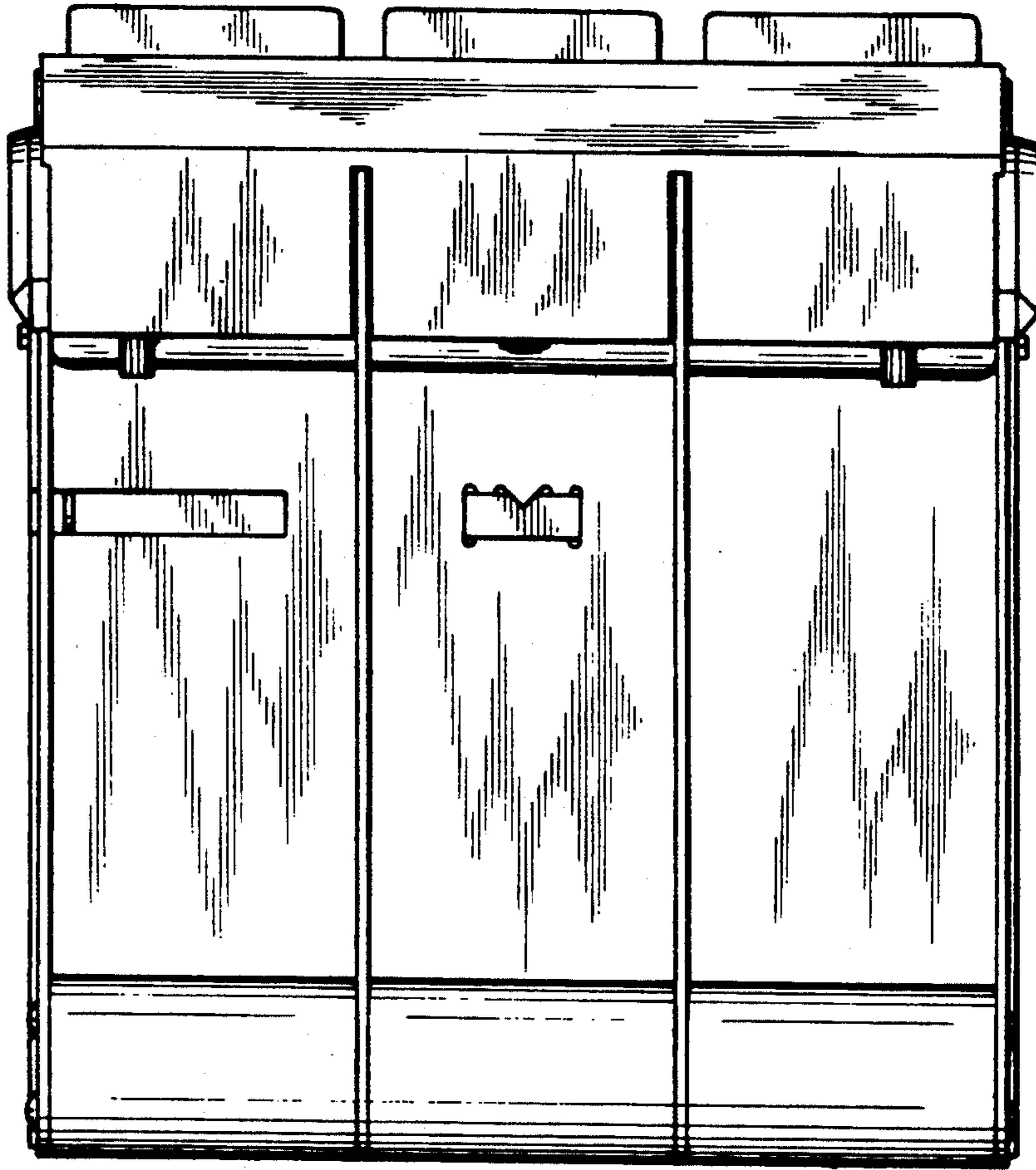


FIG. 4

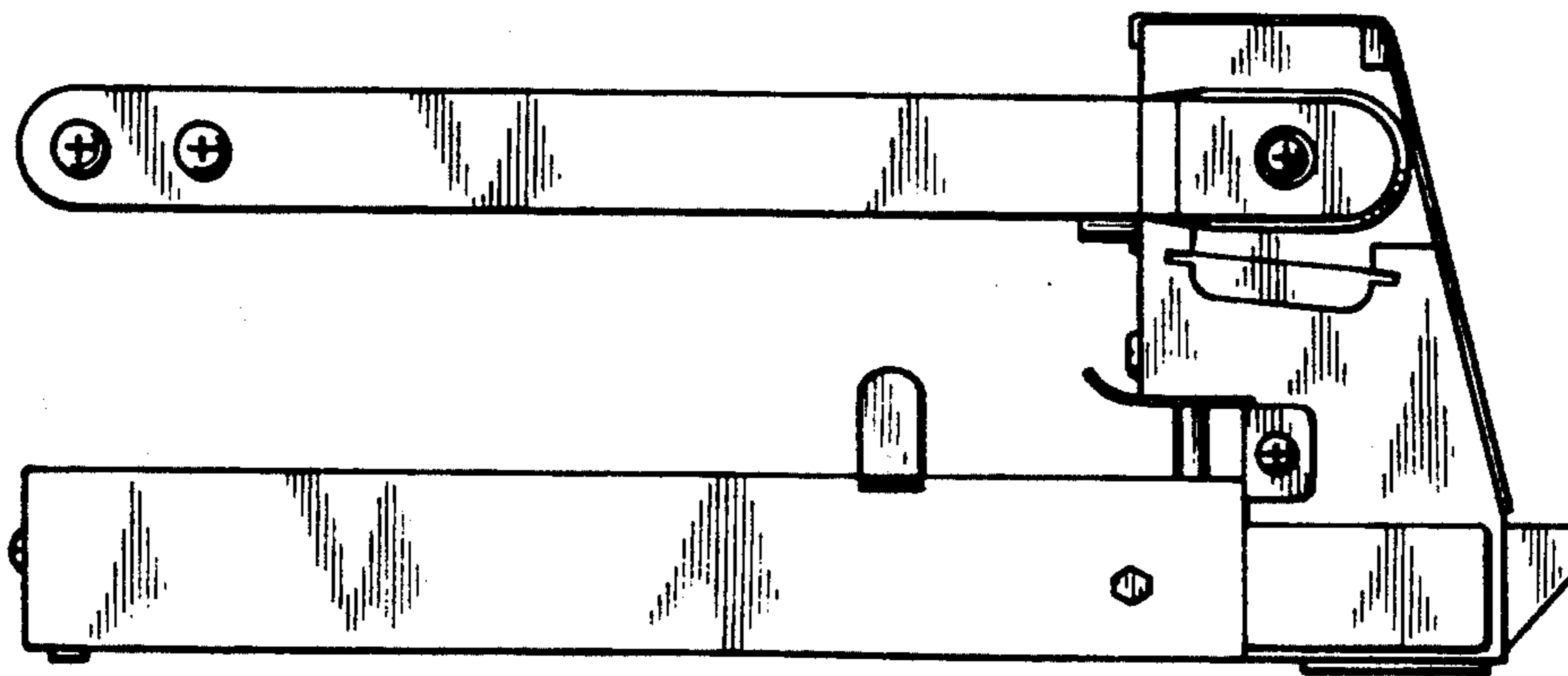


FIG. 5

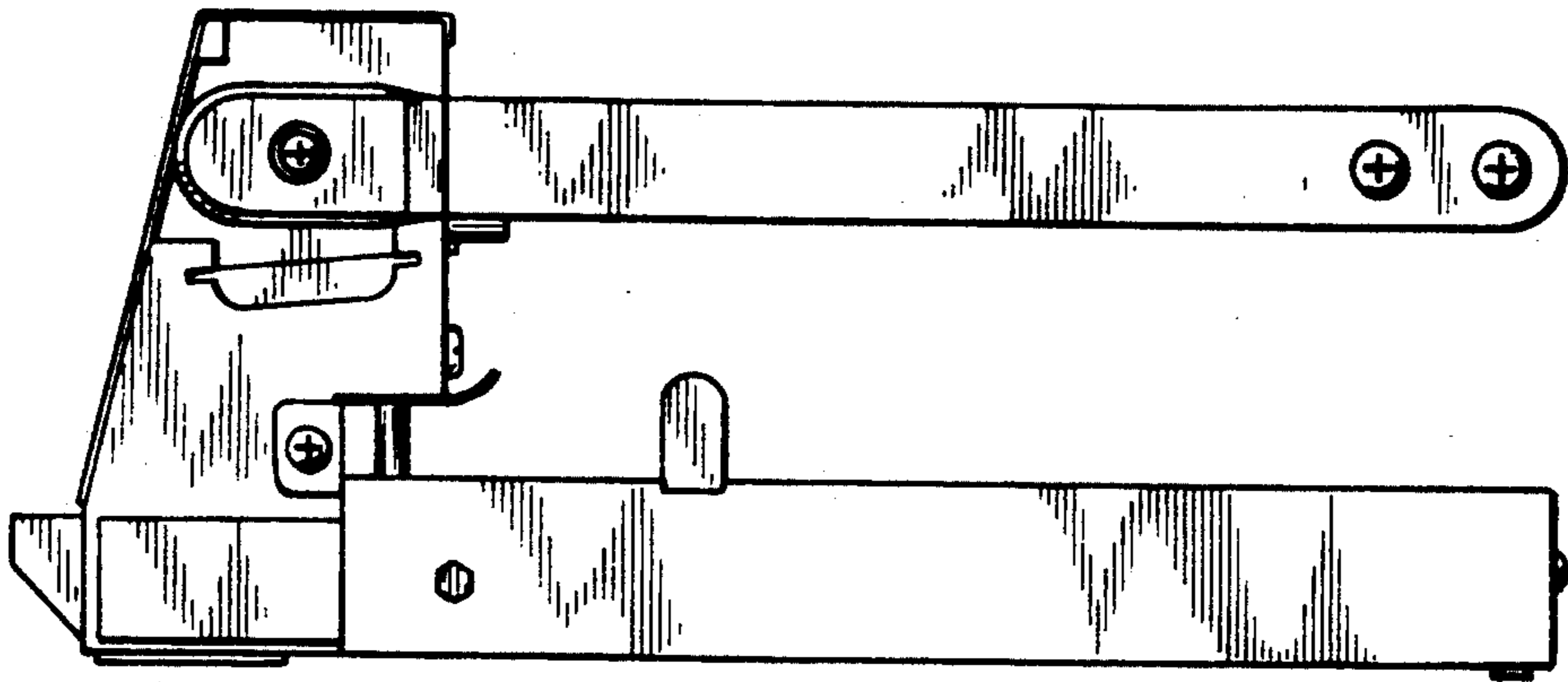


FIG. 6

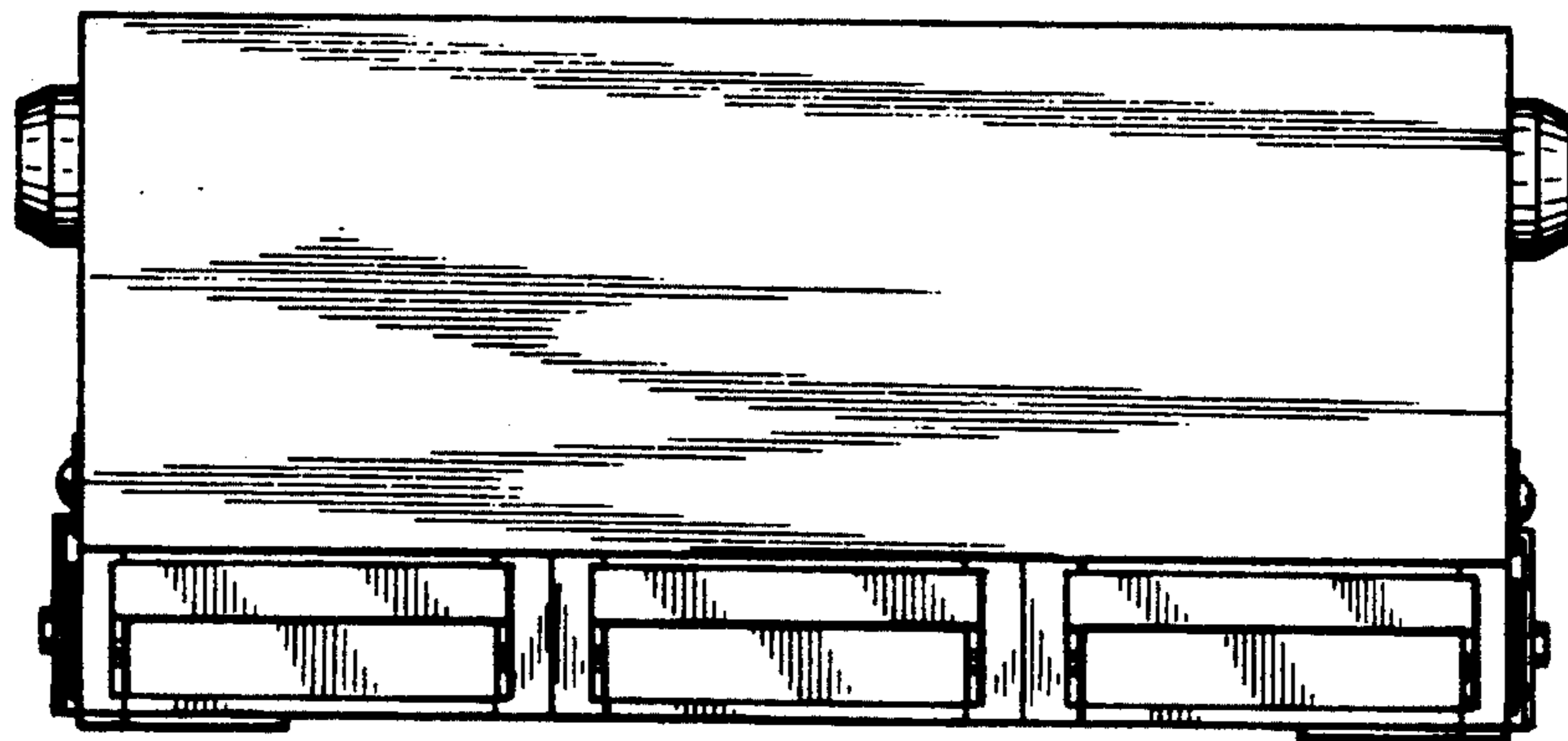


FIG. 7

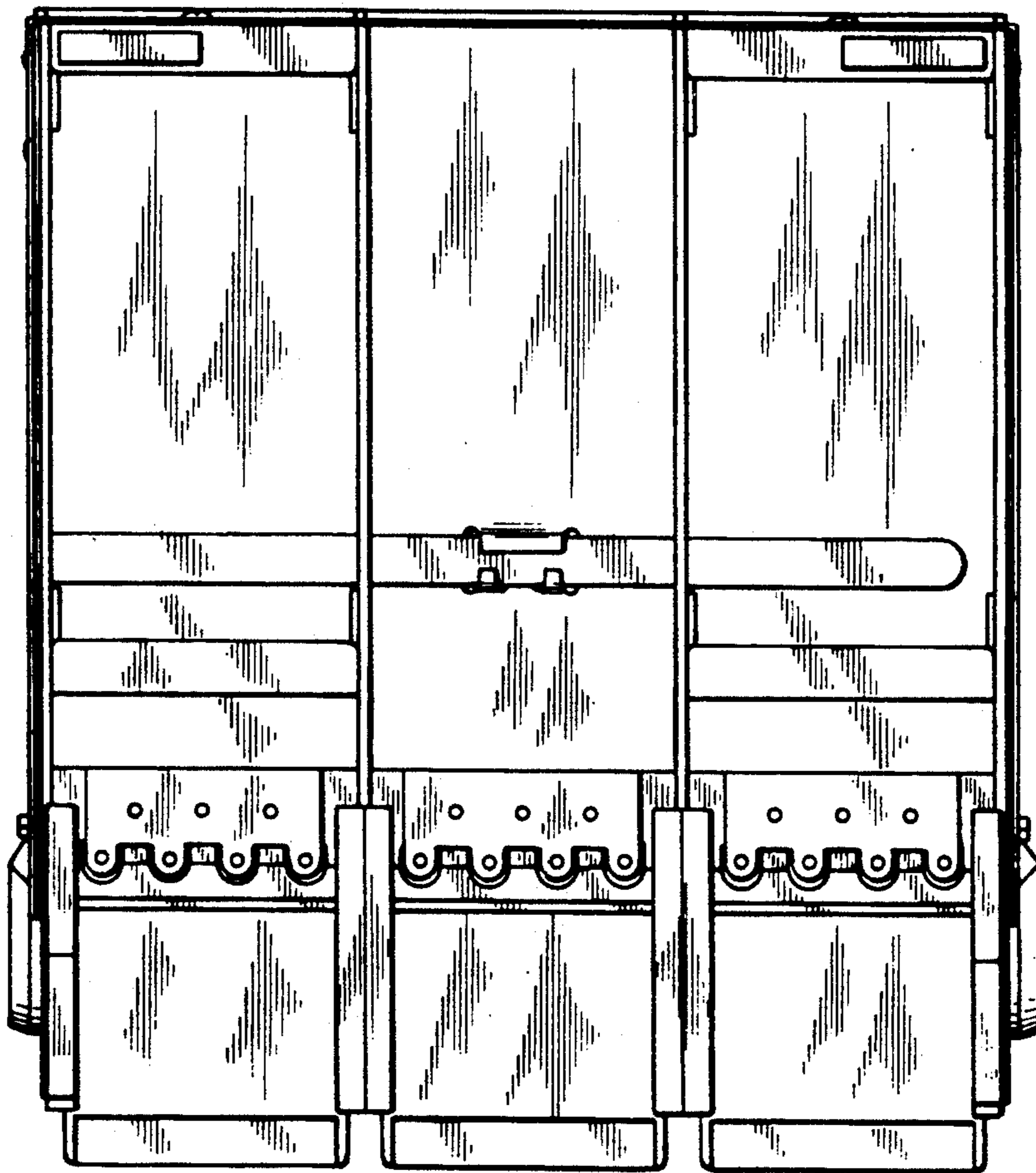


FIG. 8

