



US00D329251S

# United States Patent [19]

Olsword et al.

[11] Patent Number: **Des. 329,251**

[45] Date of Patent: **\*\* Sep. 8, 1992**

[54] **STAND FOR PRINTERS AND FACSIMILE MACHINES**

[75] Inventors: **Charles L. Olsword, Muscatine; Lavern L. Weinschenk, Jr., Davenport, both of Iowa**

[73] Assignee: **Ring King Visibles, Inc., Muscatine, Iowa**

[\*\*] Term: **14 Years**

[21] Appl. No.: **669,206**

[22] Filed: **Mar. 12, 1991**

[52] U.S. Cl. .... **D18/59; D34/19; D6/429; D6/436**

[58] Field of Search ..... **D15/141; D18/53, 59; D6/411-415, 419-420, 429-430, 436, 449, 462-463, 474; D34/19-20; 211/111, 126; 248/174, 176, 459-460, 676; D19/77-78, 92; 229/11-112; 220/6; 206/214, 371, 505, 511, 561; 312/208; 400/690-691, 613.2-613.4**

[56] **References Cited**

**U.S. PATENT DOCUMENTS**

D. 94,412	1/1935	Flanigan .....	D18/59
D. 164,622	9/1951	Broad .....	D6/436
D. 208,710	9/1967	Babcock .....	D6/436
D. 232,404	8/1974	Turner et al. ....	D6/158
D. 263,100	2/1982	Thompson .....	D6/129
D. 282,034	1/1986	Janke .....	D6/480
D. 293,686	1/1988	Sutou et al. ....	D18/53
D. 297,141	8/1988	Goodlander .....	D6/436
D. 313,517	1/1991	Ugalde .....	D6/439
D. 314,974	2/1991	Peart .....	D18/59
1,052,516	2/1913	Ringer .....	108/109
1,712,024	5/1929	Brogden .....	312/351
2,409,528	10/1946	Baunach .....	312/351
3,084,008	4/1963	Mallett .....	312/319
3,119,643	1/1964	Levi et al. ....	312/343

4,120,551	10/1978	Godtschalck .....	312/330 R
4,466,674	8/1984	La Rose .....	312/240
4,811,999	3/1989	Remington et al. ....	D34/20
4,893,885	1/1990	Borello .....	D6/430
4,931,987	6/1990	Drake et al. ....	364/708

**OTHER PUBLICATIONS**

Bell Atlantic Business Supplies Catalog; 1987; p. 77, item Deck Top Plotter Stand MPLT675.

Global Computer Supplies Catalog; p. 102, item PC Work Center.

Quill Corporation Catalog; Jan./Feb. 1988; p. 46, item Printer Cabinet.

Demco Quality Supplies and Equipment; 1988; p. 330, item No. C Single Door, Drawer Computer Work Top.

Devoke Computer Support Products Catalog; Fall/Winter 1987; p. 35, item Printer Stand #95321-1.

Bankier Companies, Inc., Laser Printer Organizer, date received by applicants; Jun. 28, 1990.

*Primary Examiner*—A. Hugo Word

*Assistant Examiner*—Cathy Anne MacCormac

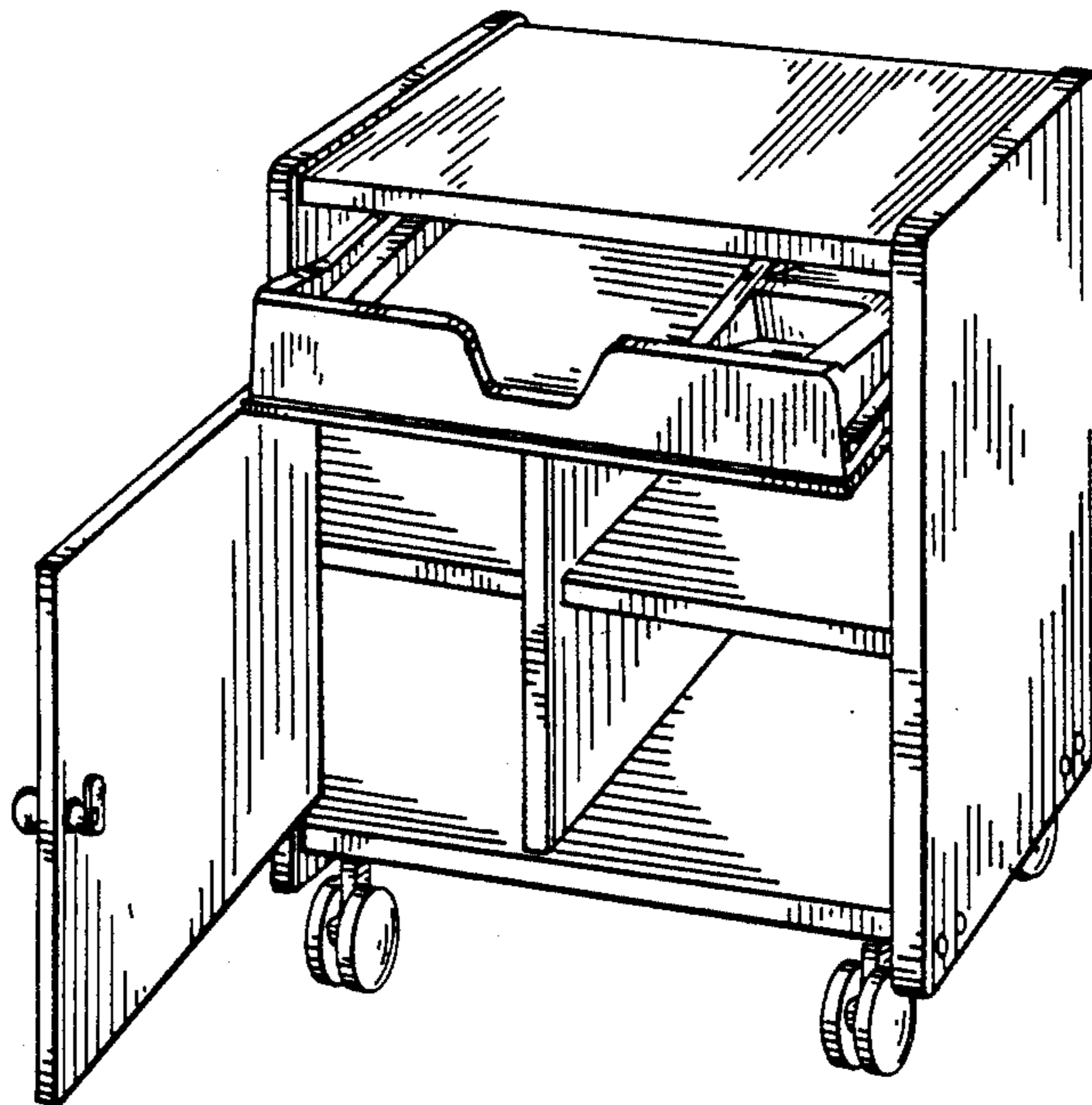
*Attorney, Agent, or Firm*—Leydig, Voit & Mayer

[57] **CLAIM**

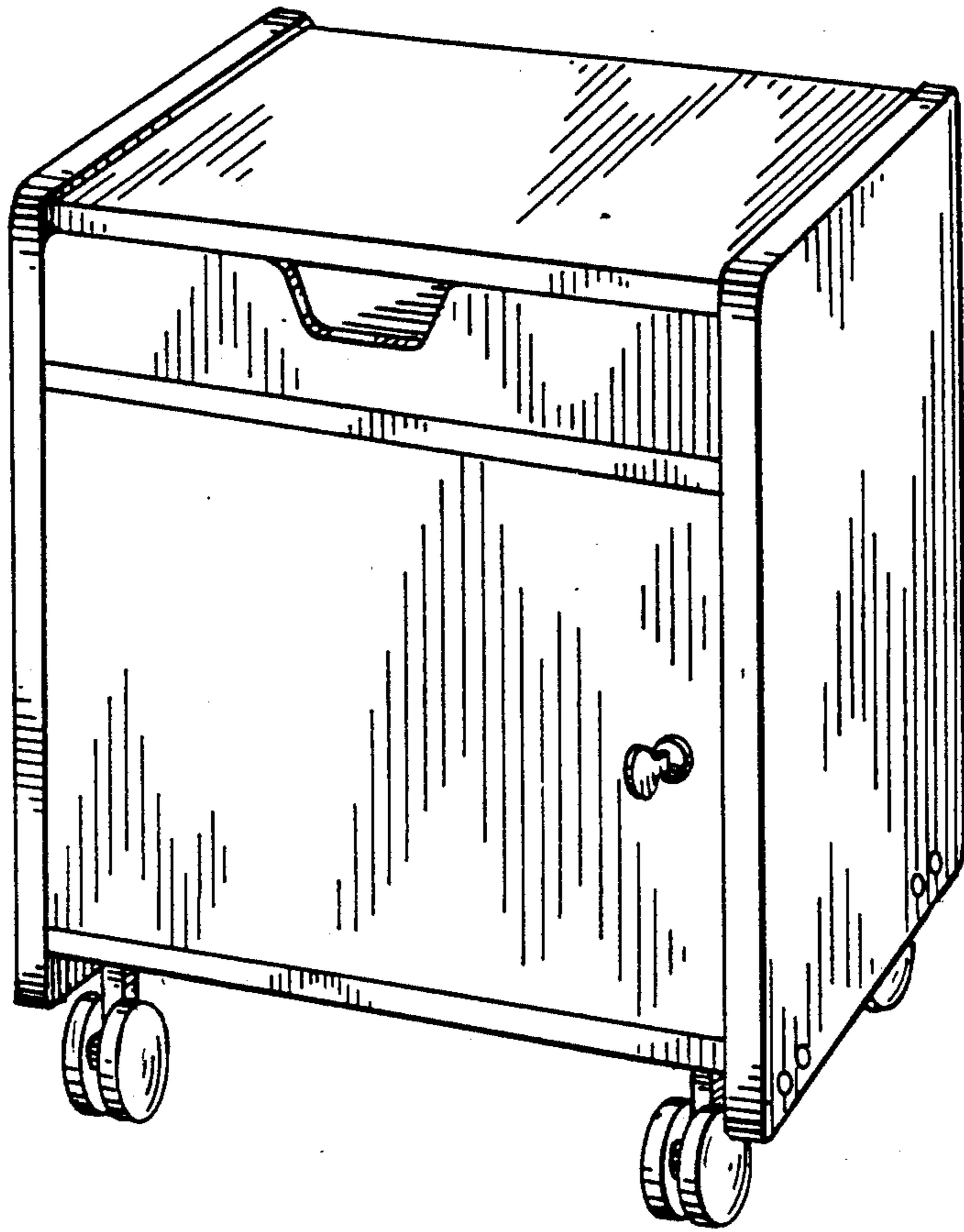
The ornamental design for a stand for printers and facsimile machines, as shown and described.

**DESCRIPTION**

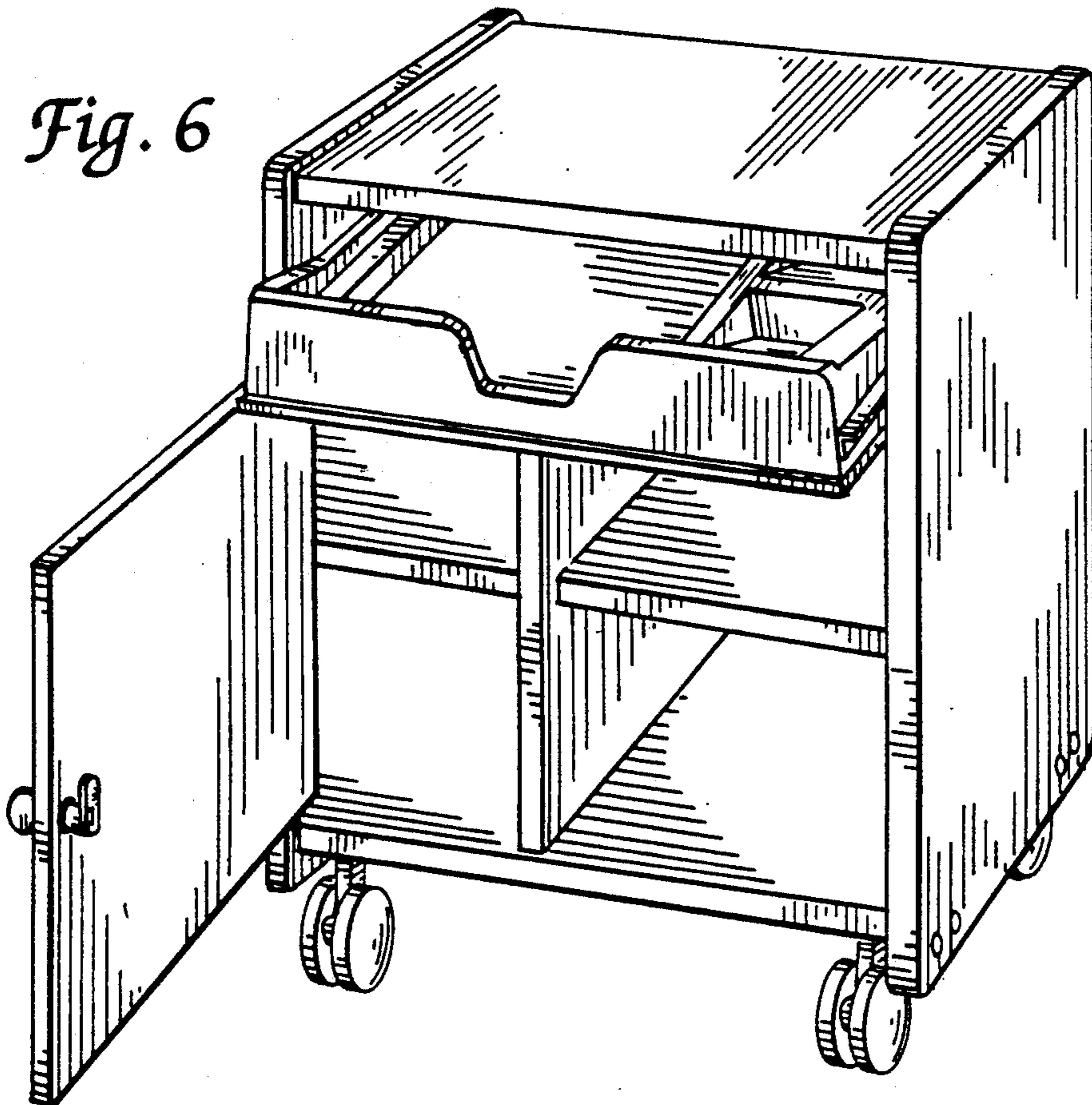
FIG. 1 is a perspective view taken from the top, front and right side of a stand for printers and facsimile machines showing my new design; FIG. 2 is a top plan view thereof; FIG. 3 is a front elevational view thereof; FIG. 4 is a side elevational view thereof, the opposite being a mirror image of the side shown; FIG. 5 is a rear elevational view thereof; and, FIG. 6 is another perspective view thereof showing the door and drawer in an open position.

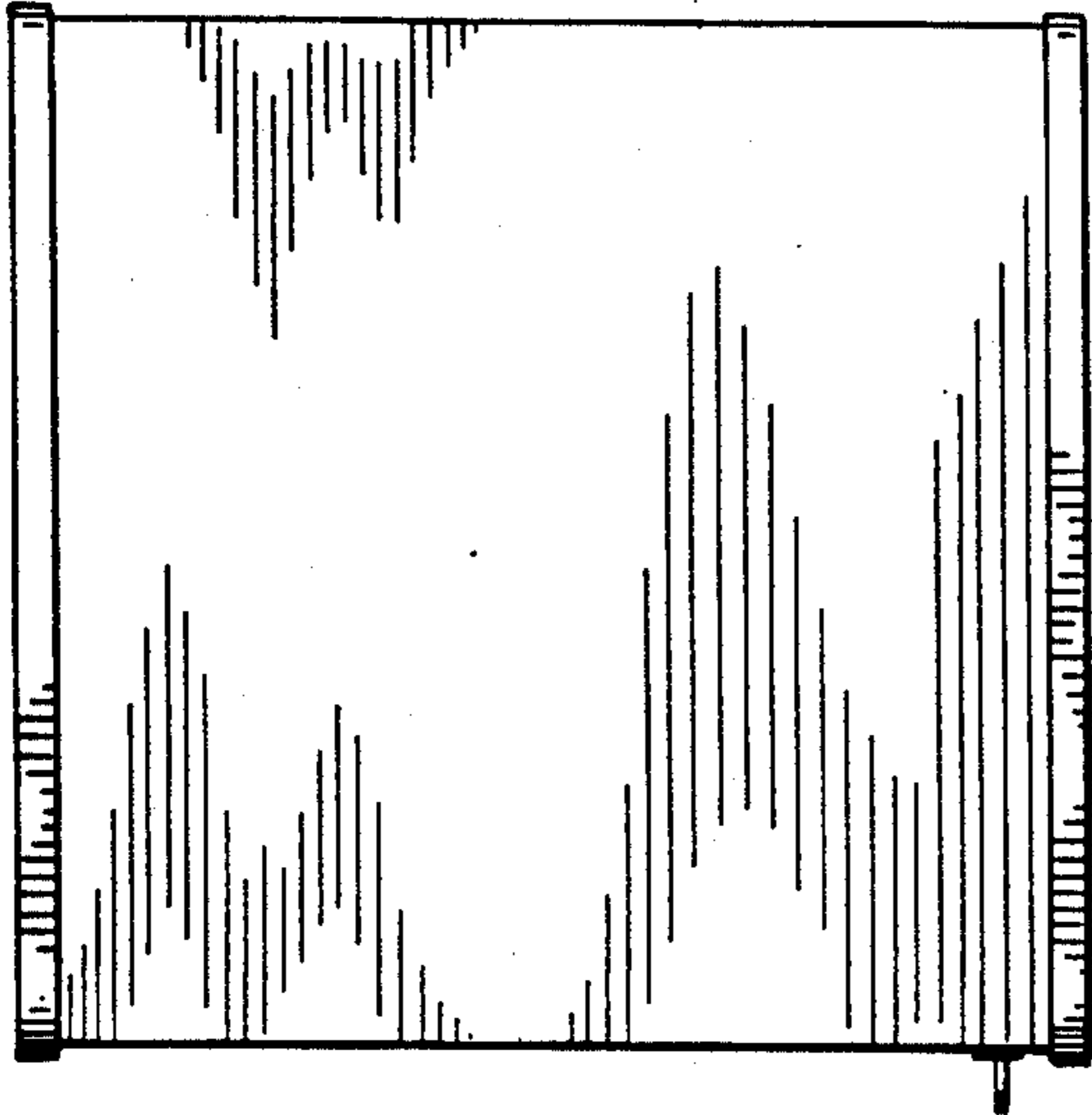


*Fig. 1*

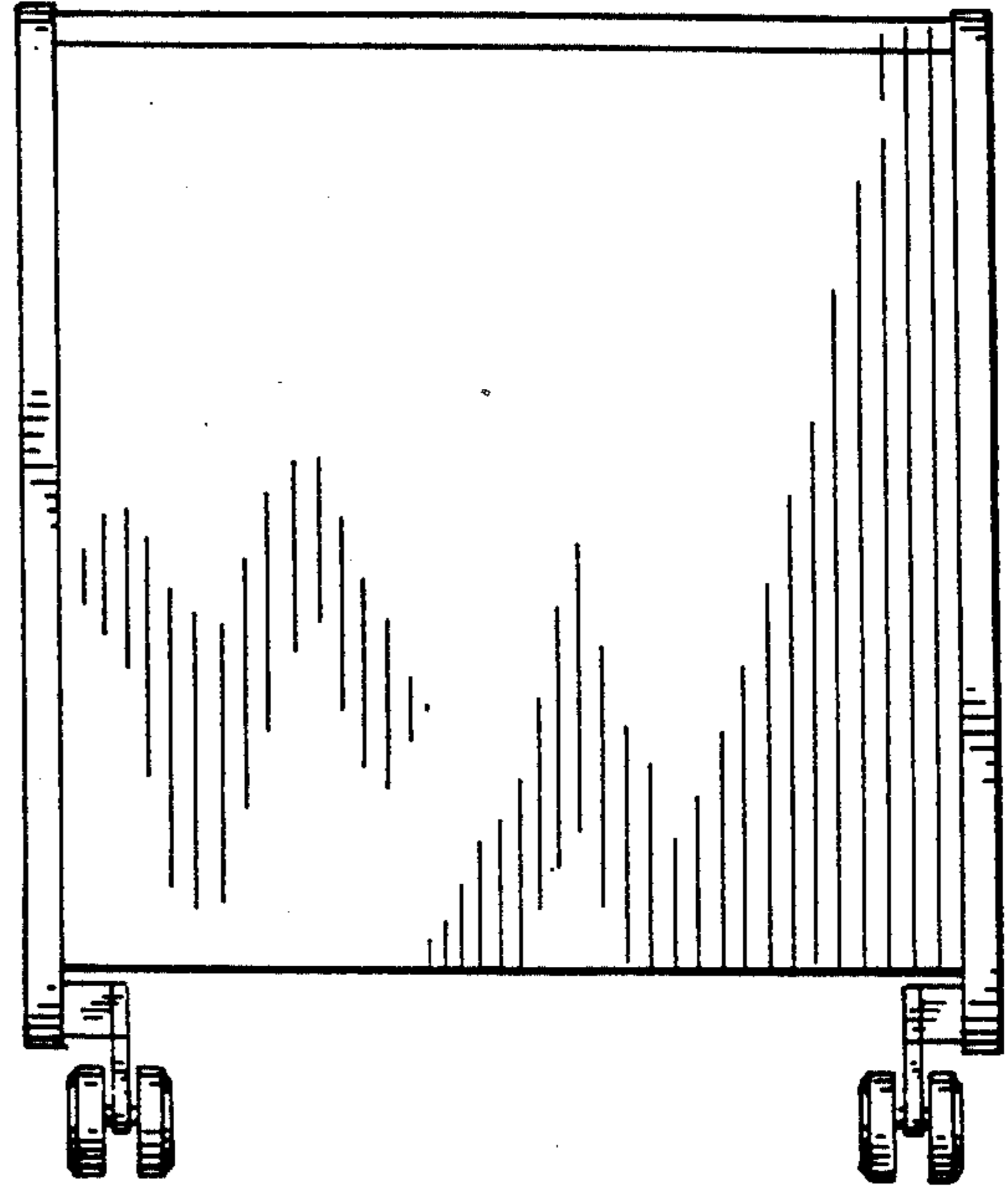


*Fig. 6*

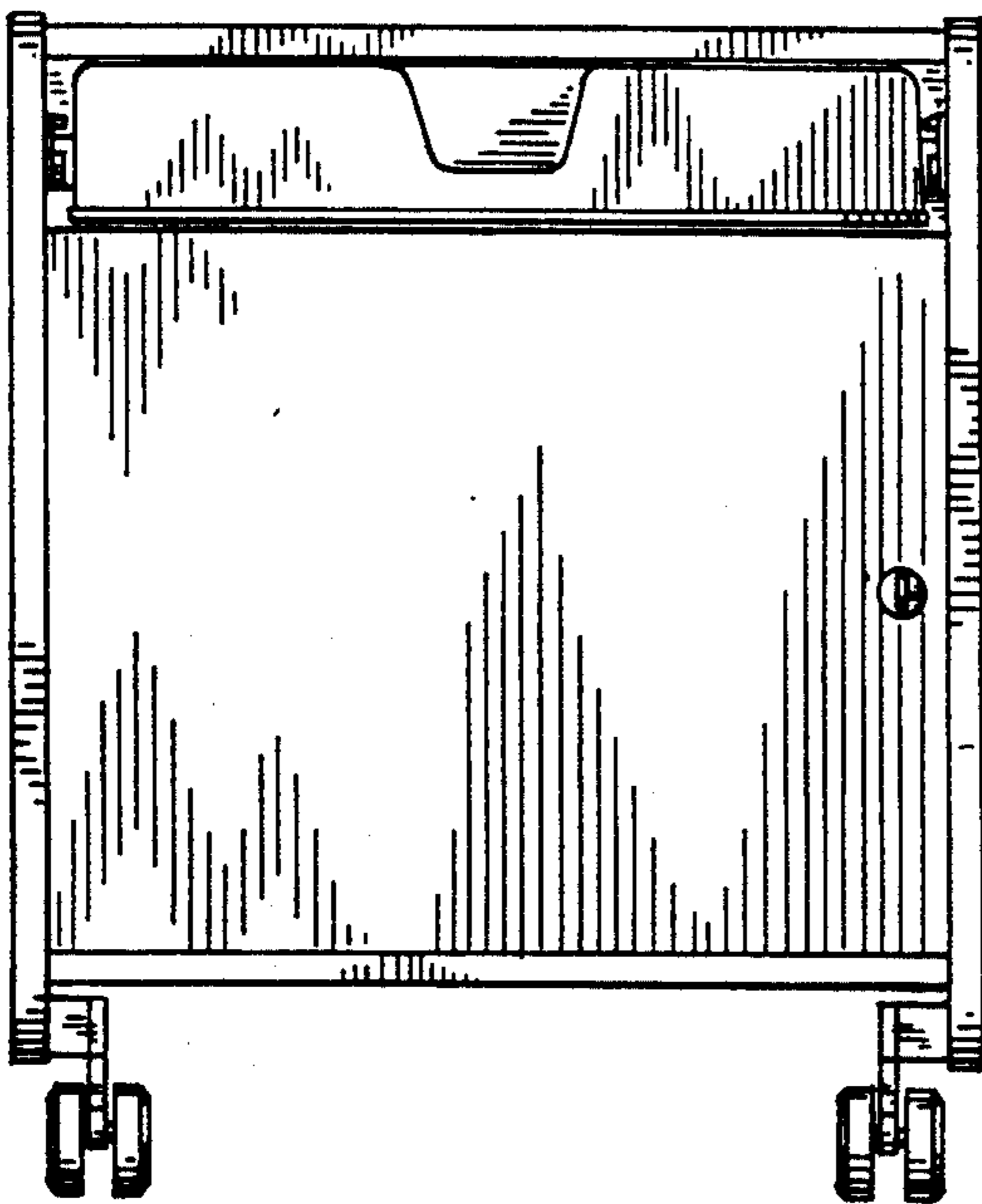




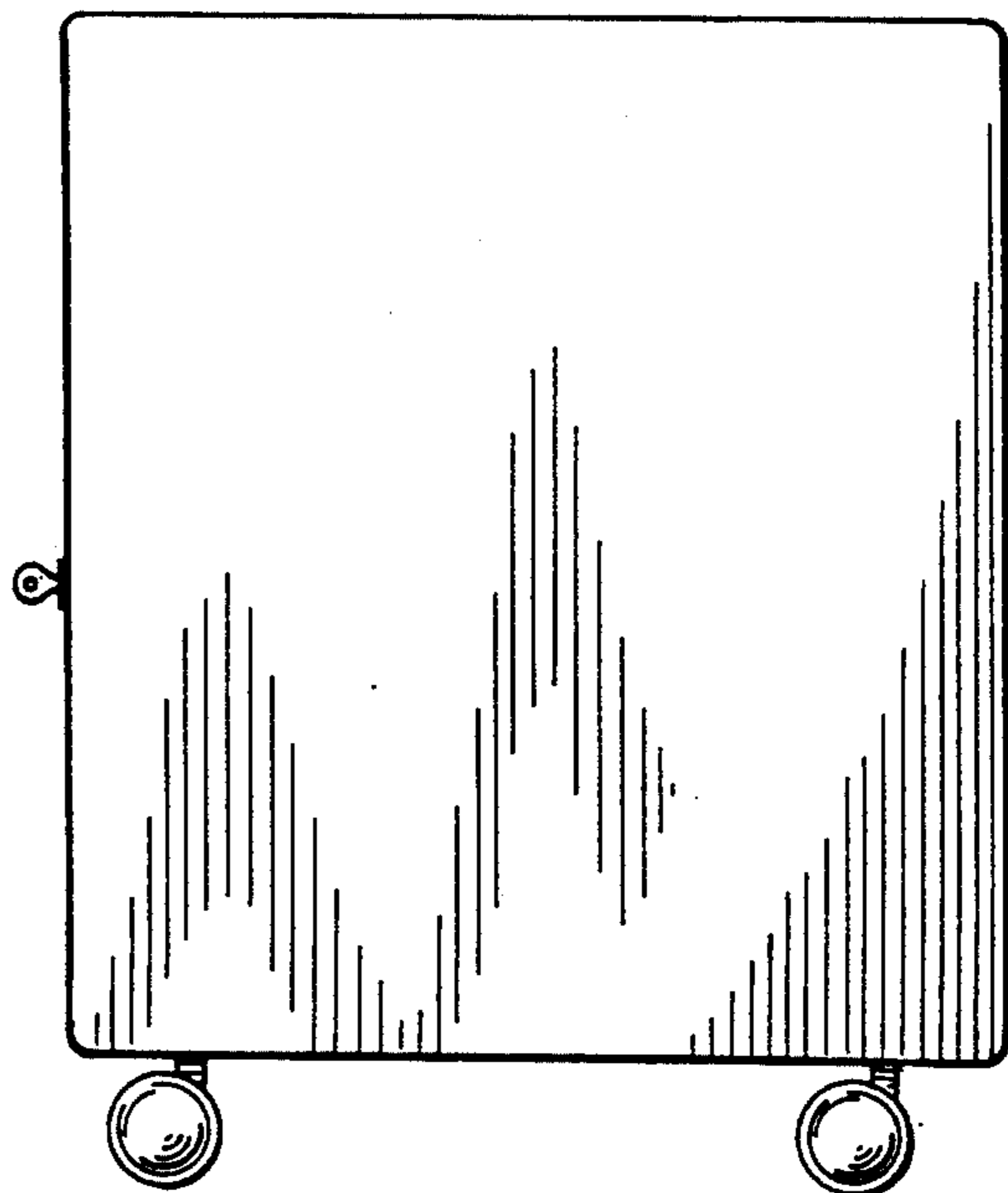
*Fig. 2*



*Fig. 5*



*Fig. 3*



*Fig. 4*