



US00D329250S

United States Patent [19]

[11] Patent Number: **Des. 329,250**

Matsumoto

[45] Date of Patent: **** Sep. 8, 1992**

[54] **PRINTER FOR COMPUTER**

4,760,492 7/1988 Walsh 400/691

[75] Inventor: **Nobuki Matsumoto, Miura, Japan**

OTHER PUBLICATIONS

[73] Assignee: **Ricoh Company, Ltd., Tokyo, Japan**

Modern Ofc. Technology; Jun. 1989; p. 8; Mannesmann Tally Advertisement.

[**] Term: **14 Years**

Genicom 5010 brochure; p. 5.

[21] Appl. No.: **280,731**

Canon LBP-8II Laser Beam Printer brochure; cover photograph; 1987.

[22] Filed: **Dec. 6, 1988**

OKI Laser Line 6 brochure cover photo.

[30] **Foreign Application Priority Data**

Primary Examiner—A. Hugo Word

Jun. 6, 1988 [JP] Japan 63-22319

Assistant Examiner—CathyAnne MacCormac

[52] U.S. Cl. **D18/55**

Attorney, Agent, or Firm—Oblon, Spivak, McClelland, Maier & Neustadt

[58] Field of Search D14/111, 118; D18/13, D18/34, 36; 400/613, 613.2, 613.3, 613.4, 691-694; 364/708

[57] **CLAIM**

[56] **References Cited**

The ornamental design for a printer for computer, as shown and described.

U.S. PATENT DOCUMENTS

DESCRIPTION

- D. 228,957 10/1973 Ishii D18/37
- D. 291,095 7/1987 Morozumi et al. D18/13
- D. 292,004 9/1987 Fukuda D18/36
- D. 293,247 12/1987 Nakade D14/111
- D. 306,744 3/1990 Yomo D18/13
- D. 307,764 5/1990 Kojima D18/13
- D. 308,219 5/1990 Yoshida D18/13
- D. 308,221 5/1990 Kojima D18/13
- D. 308,695 6/1990 Eto et al. D18/13

FIG. 1 is a perspective view taken from the top, front and left side of a printer for computer showing my new design;

FIG. 2 is another perspective view taken from the bottom, rear and right side thereof;

FIG. 3 is a right side elevational view thereof;

FIG. 4 is a rear elevational view thereof; and,

FIG. 5 is a front elevational view thereof.

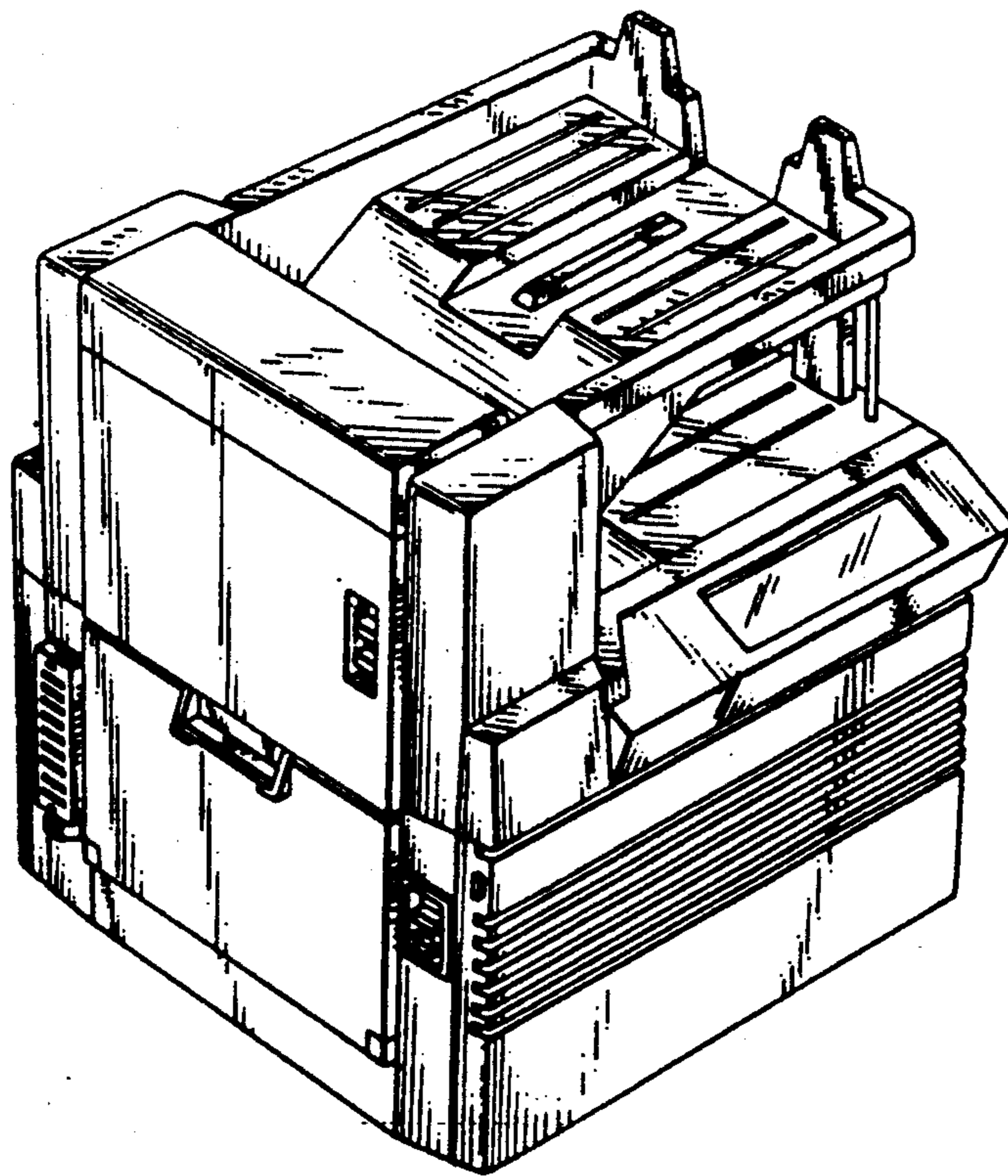


FIG. 1

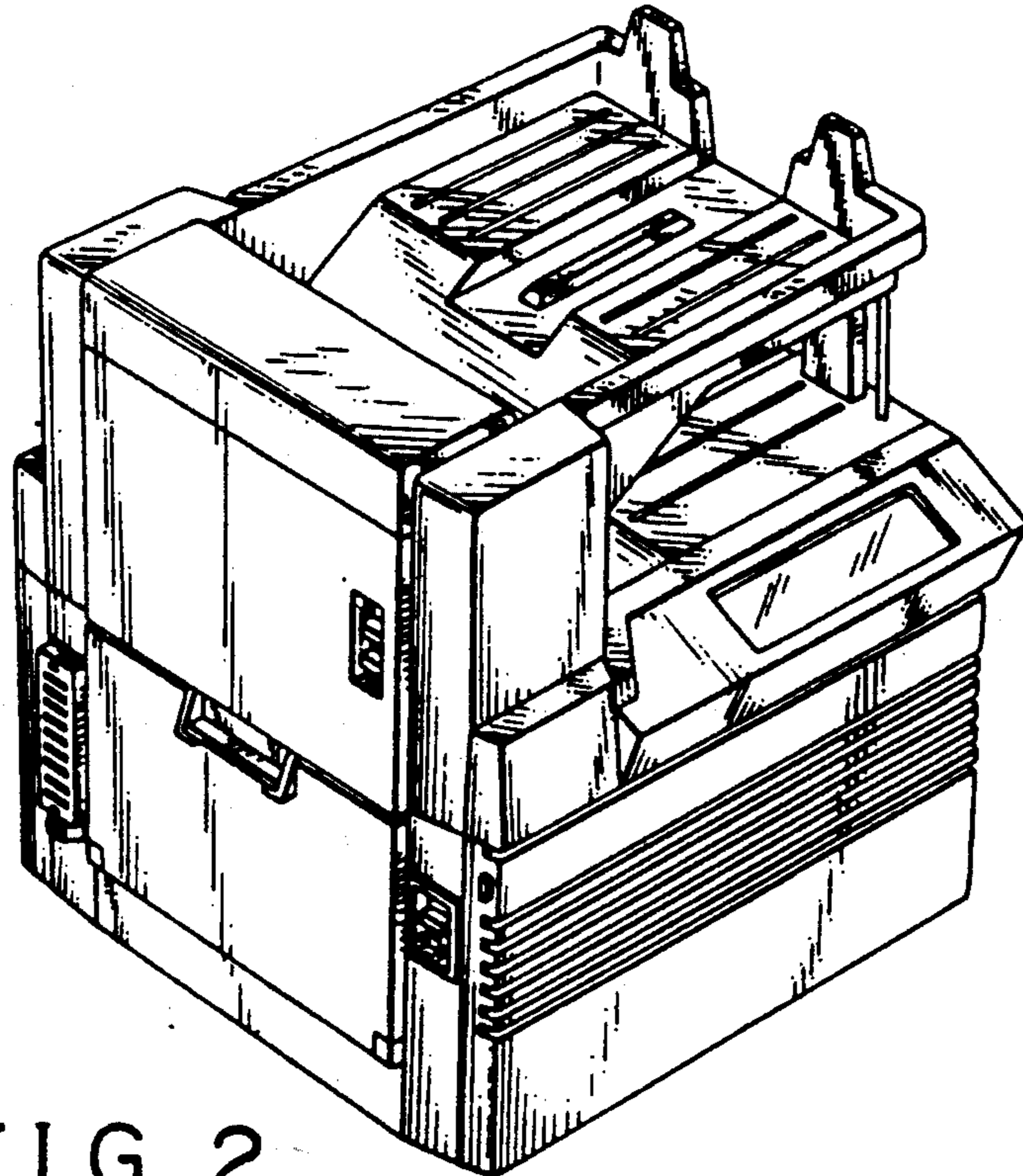
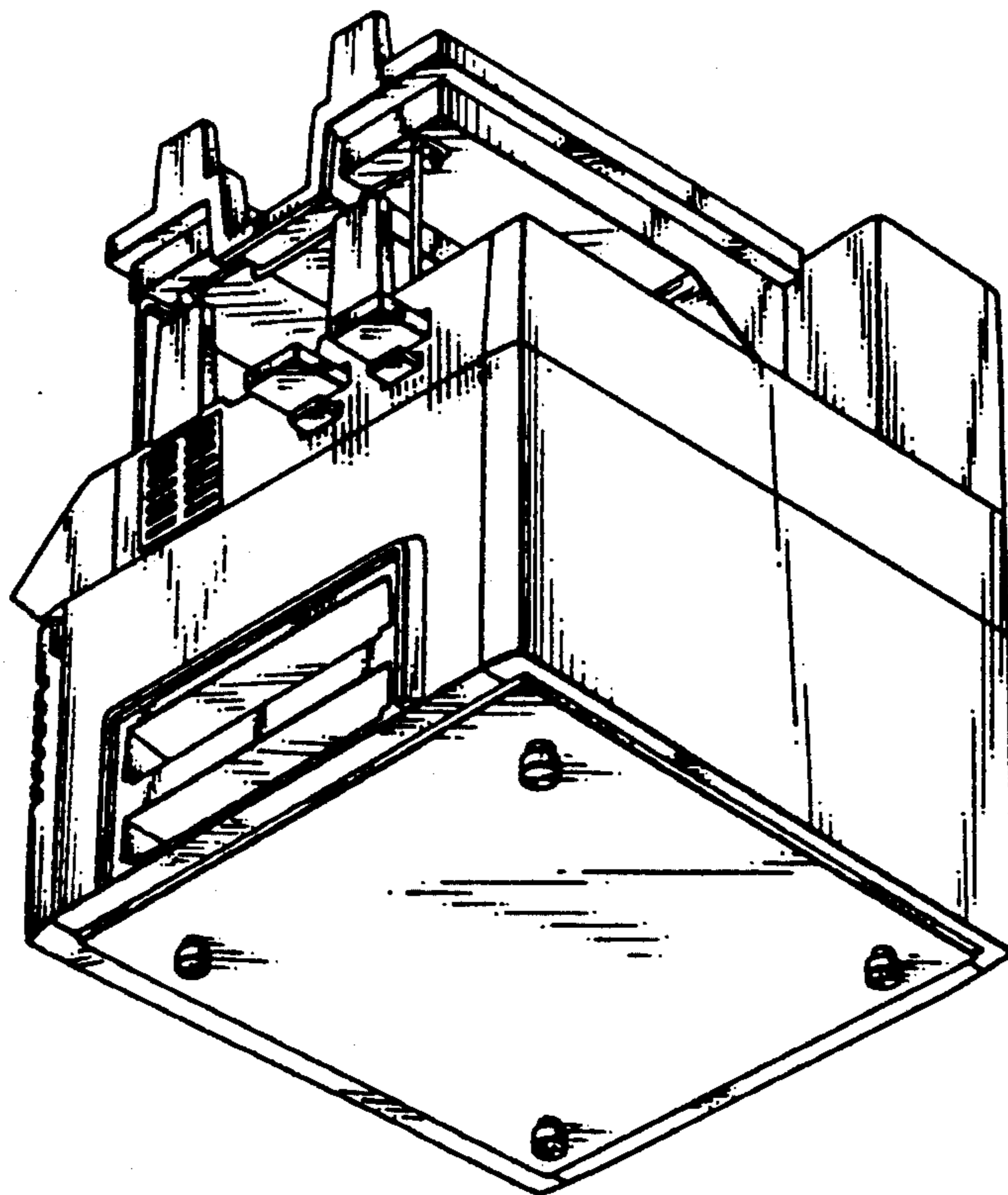


FIG. 2



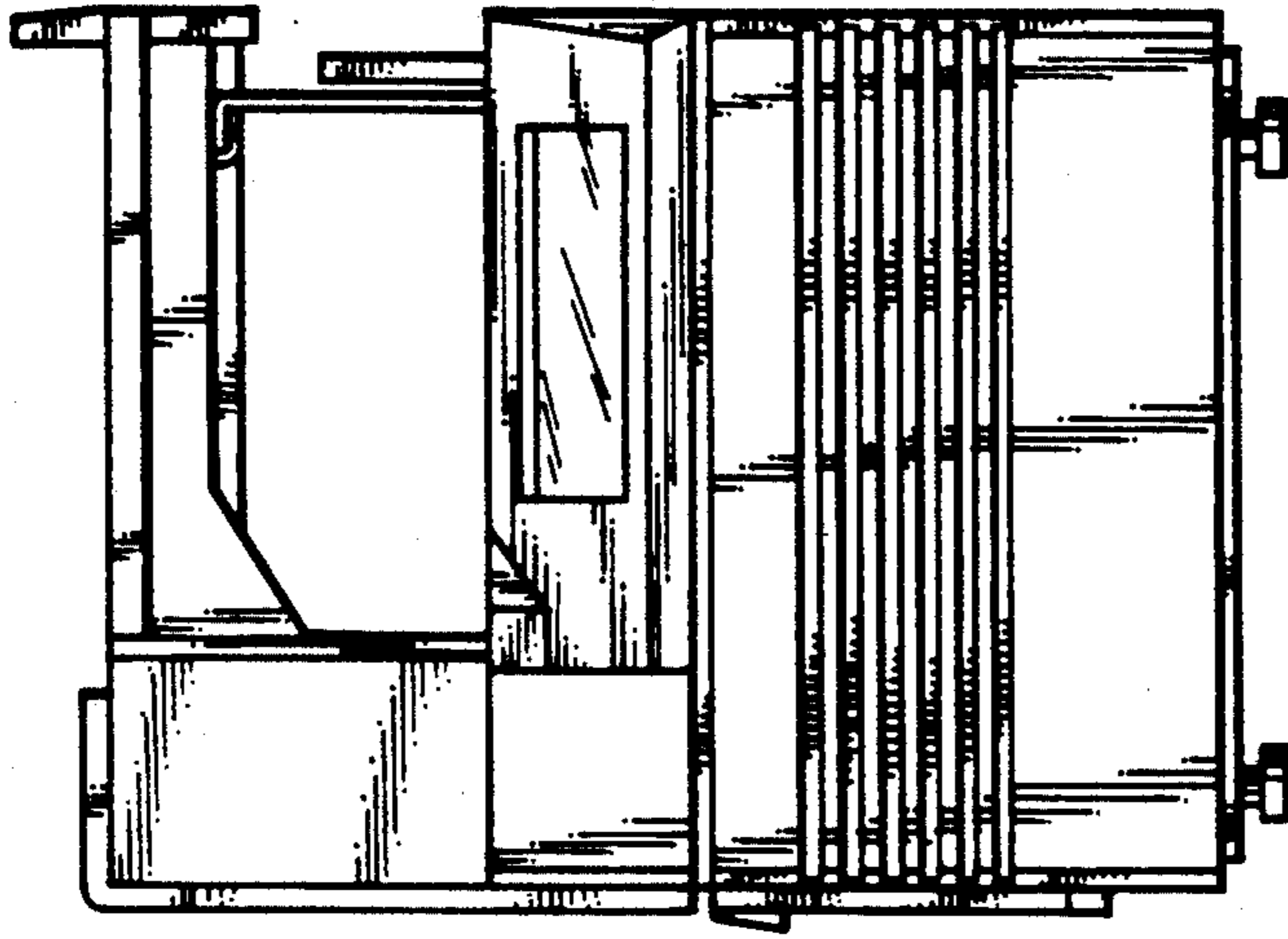


FIG. 3

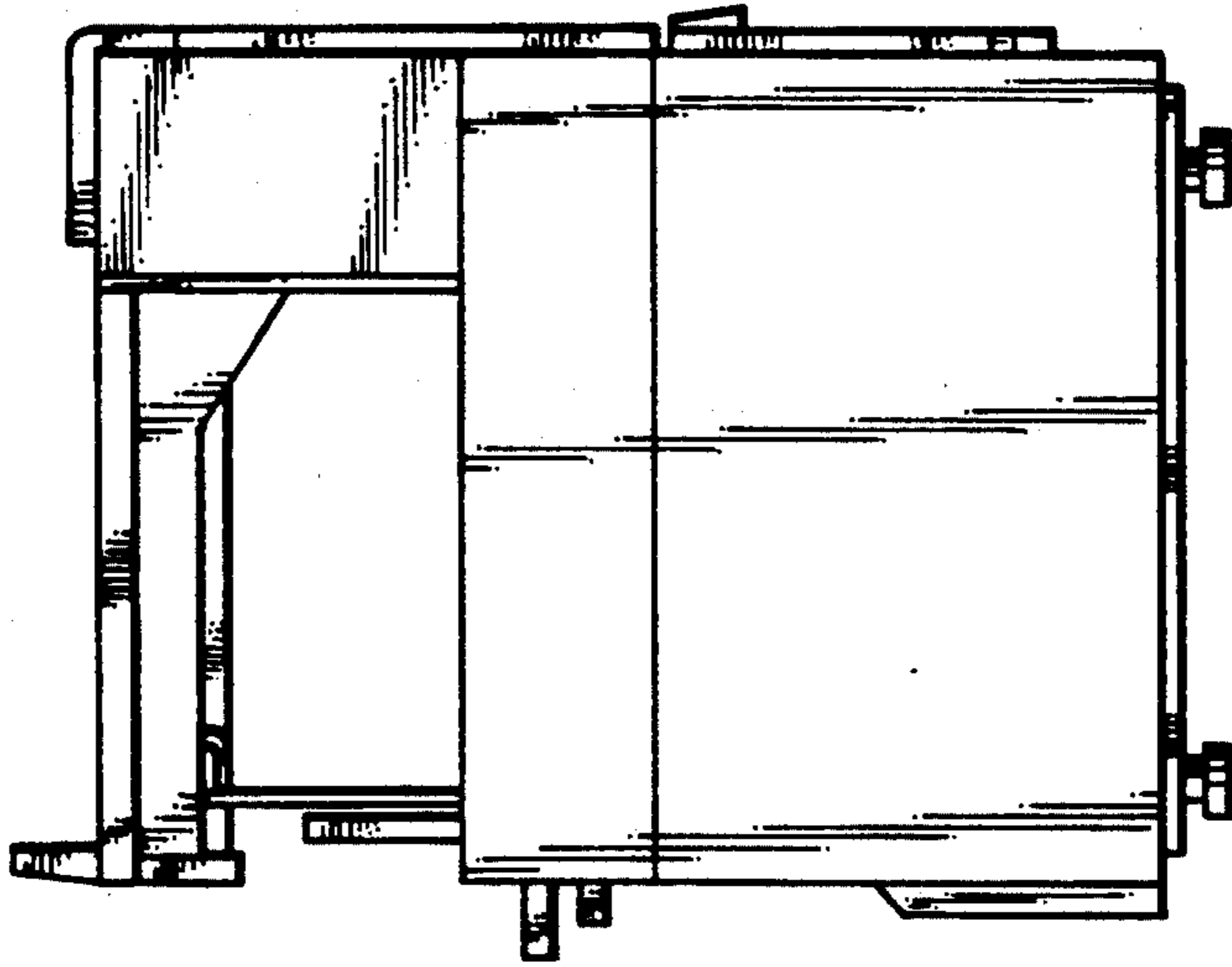


FIG. 4

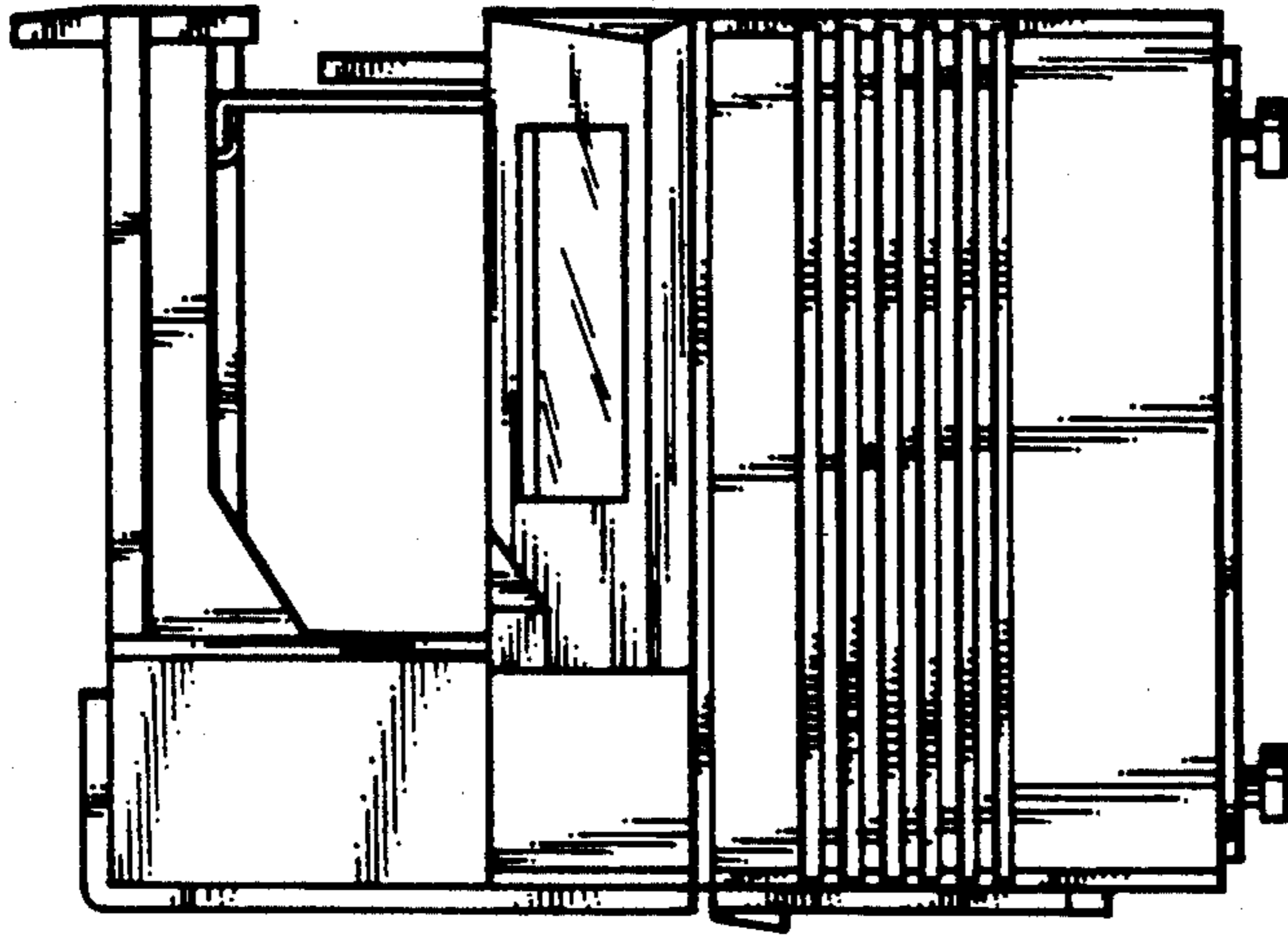


FIG. 5