



US00D329243S

# United States Patent [19]

Robinson

[11] Patent Number: **Des. 329,243**

[45] Date of Patent: **\*\* Sep. 8, 1992**

[54] **EXCAVATOR TOOTH**

[75] Inventor: **Howard W. Robinson, Grapevine, Tex.**

[73] Assignee: **G. H. Hensley Industries, Inc., Dallas, Tex.**

[\*] Notice: The portion of the term of this patent subsequent to Aug. 4, 2006 has been disclaimed.

[\*\*] Term: **14 Years**

[21] Appl. No.: **496,340**

[22] Filed: **Mar. 20, 1990**

[52] U.S. Cl. .... **D15/29**

[58] Field of Search ..... **D15/10, 28, 29; 37/141 R, 141 T, 142 R**

3,225,467	12/1965	Troeppl .....	37/142
3,326,302	6/1967	Washbond et al. ....	172/713
3,426,459	2/1969	Petersen .....	37/142
3,729,055	4/1973	Burridge .....	172/719
3,959,901	6/1976	Klett .....	37/142 R
4,083,605	4/1978	College et al. ....	299/91
4,269,274	5/1981	Robertson et al. ....	172/699
4,360,981	11/1982	Bierwith et al. ....	37/141 T
4,835,888	6/1989	Hemphill .....	37/142 R

*Primary Examiner*—Bernard Ansher  
*Assistant Examiner*—Sandra Morris  
*Attorney, Agent, or Firm*—Hubbard, Thurman, Tucker & Harris

[57] **CLAIM**

The ornamental design for a excavator tooth, as shown and described.

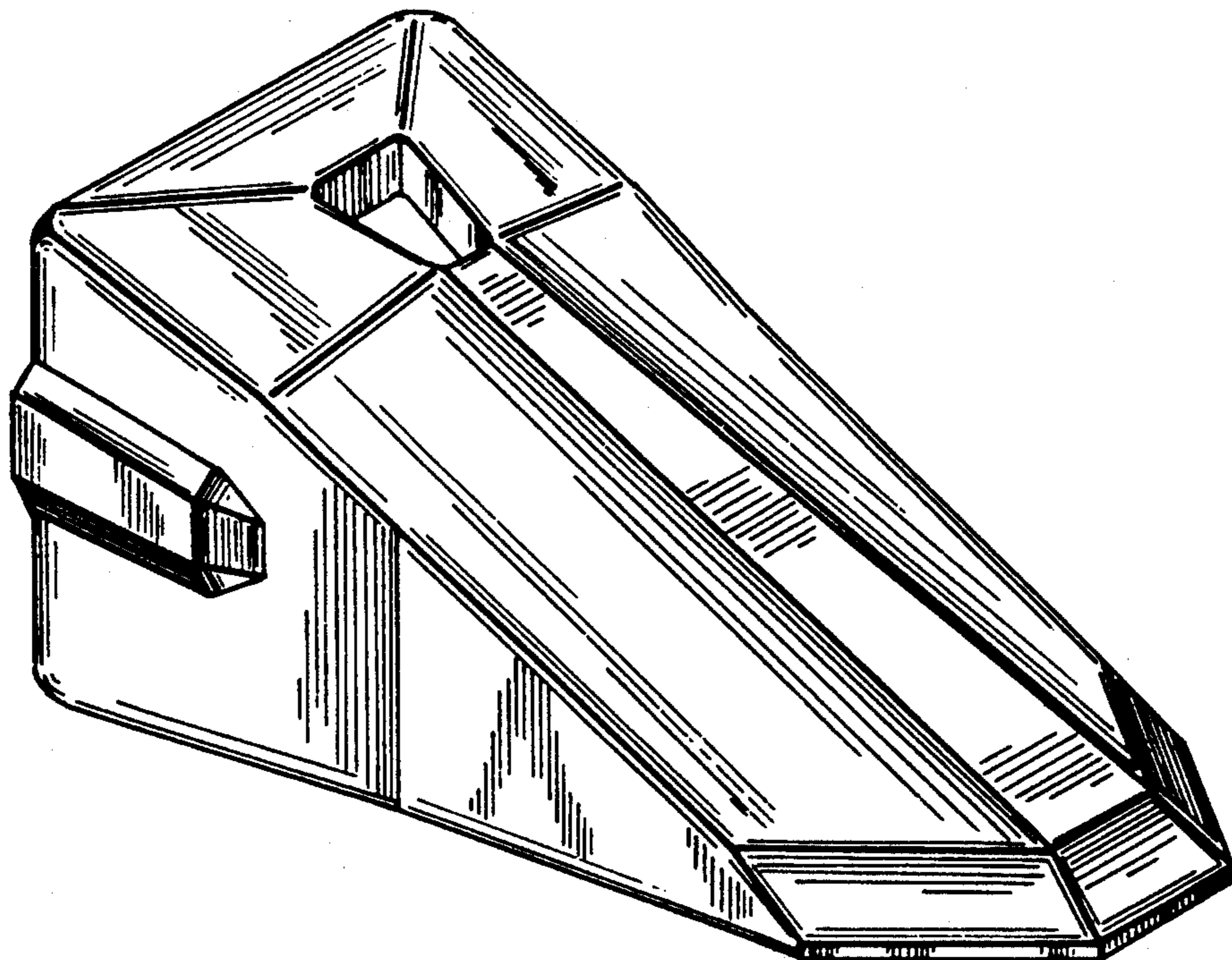
**DESCRIPTION**

FIG. 1 is a front perspective view of an excavator tooth, showing our new design;  
FIG. 2 is a front end elevational view thereof;  
FIG. 3 is a right side elevational view thereof, the left being a mirror image;  
FIG. 4 is a rear end elevational view thereof;  
FIG. 5 is a top plan view thereof; and,  
FIG. 6 is a bottom plan view thereof.

[56] **References Cited**

**U.S. PATENT DOCUMENTS**

D. 228,936	10/1973	Dahlberg .....	D15/29
D. 284,010	5/1986	Voyce .....	D15/29
2,689,419	9/1954	Daniels et al. ....	D15/29
2,707,343	5/1955	Baer .....	37/142
3,136,077	6/1964	Troeppl .....	37/142



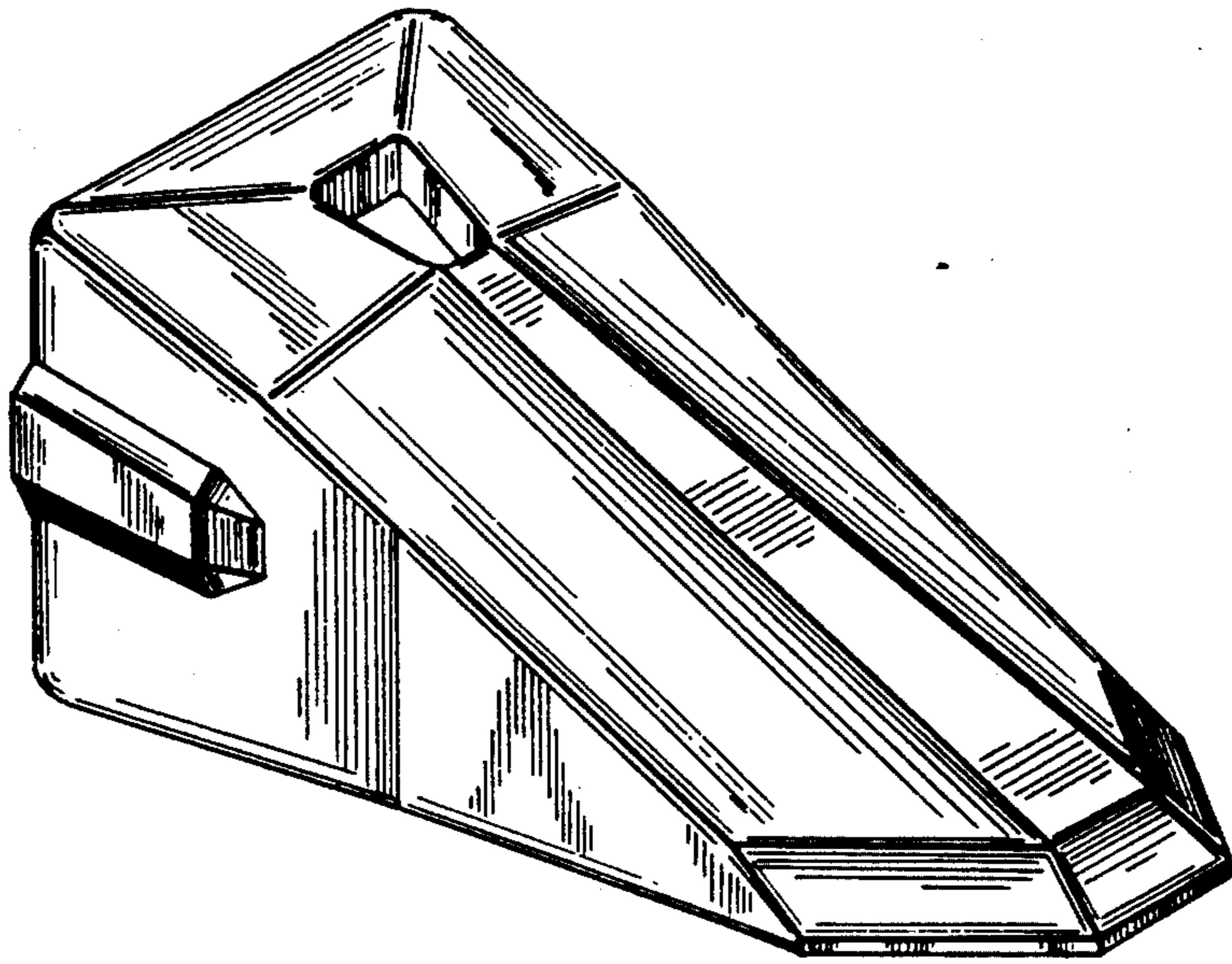


FIG. 1

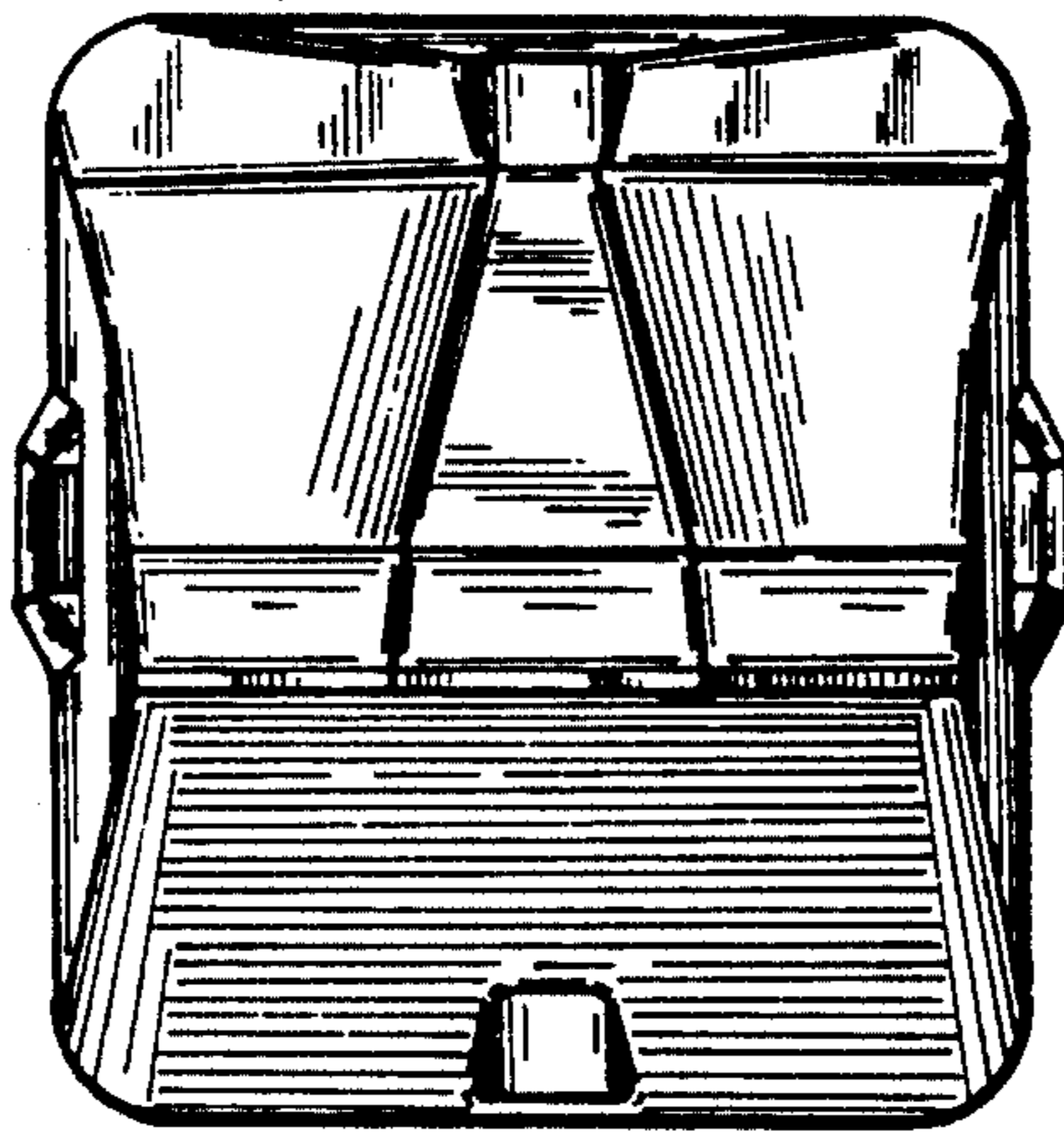


FIG. 2

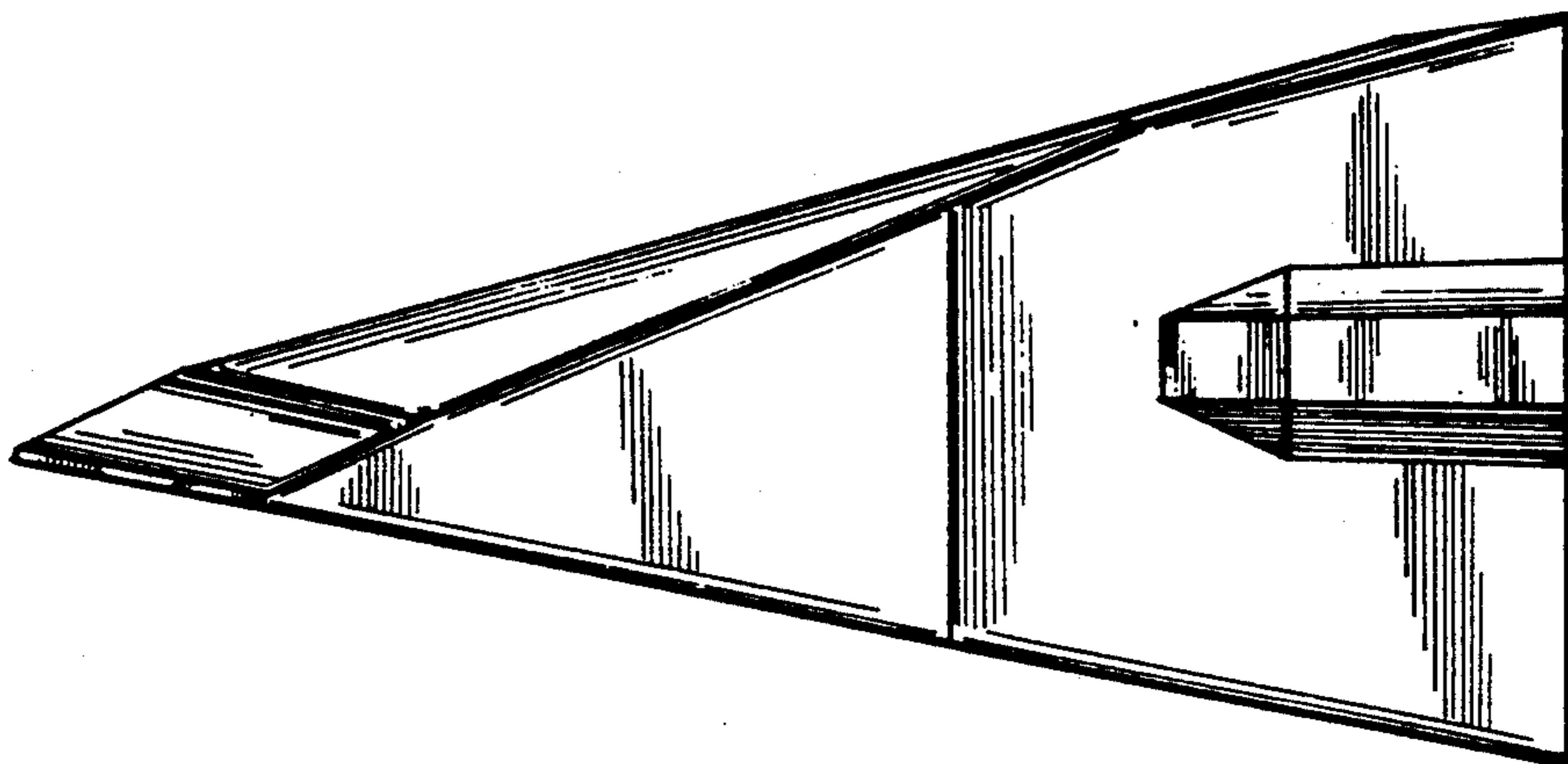


FIG. 3

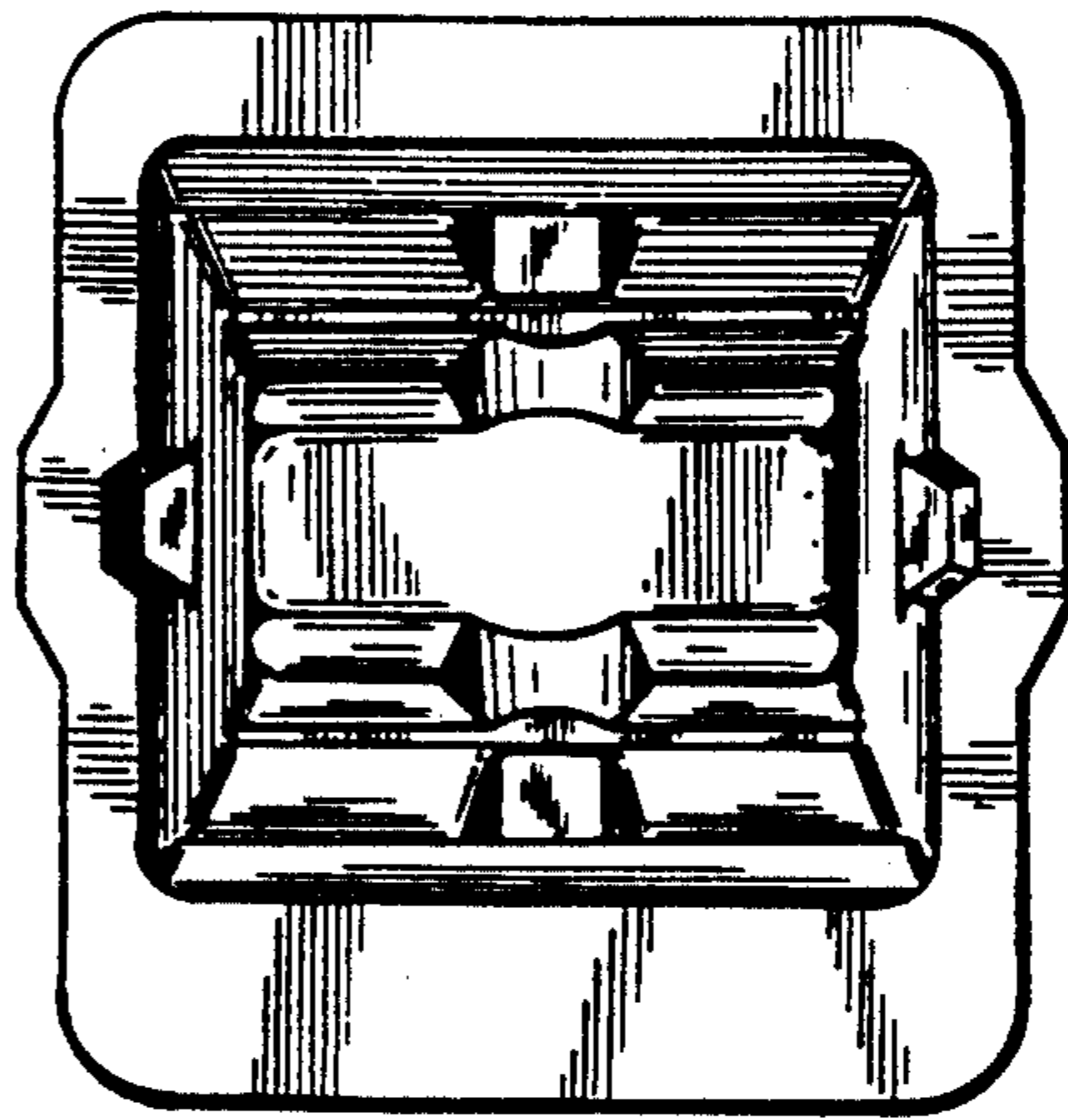


FIG. 4

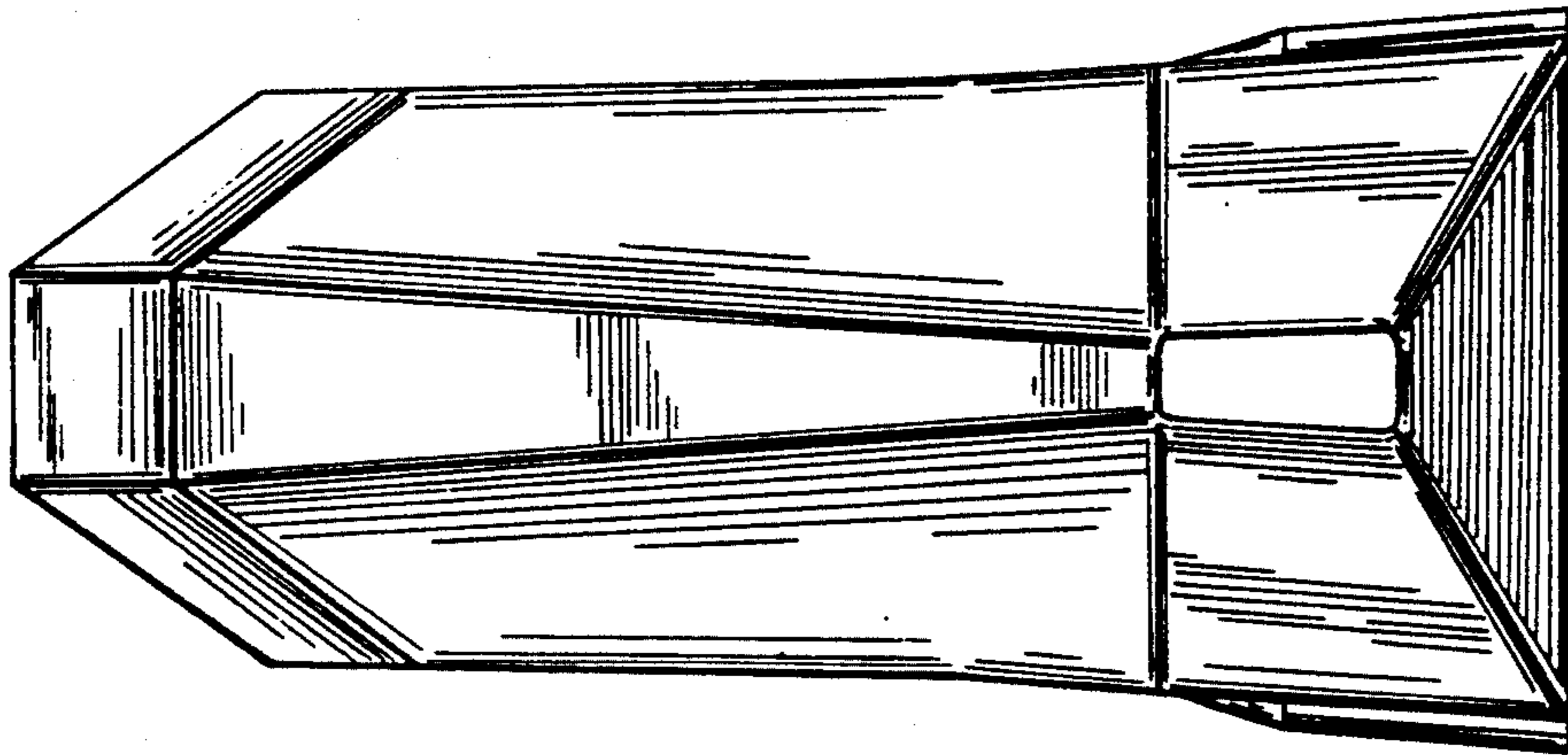


FIG. 5

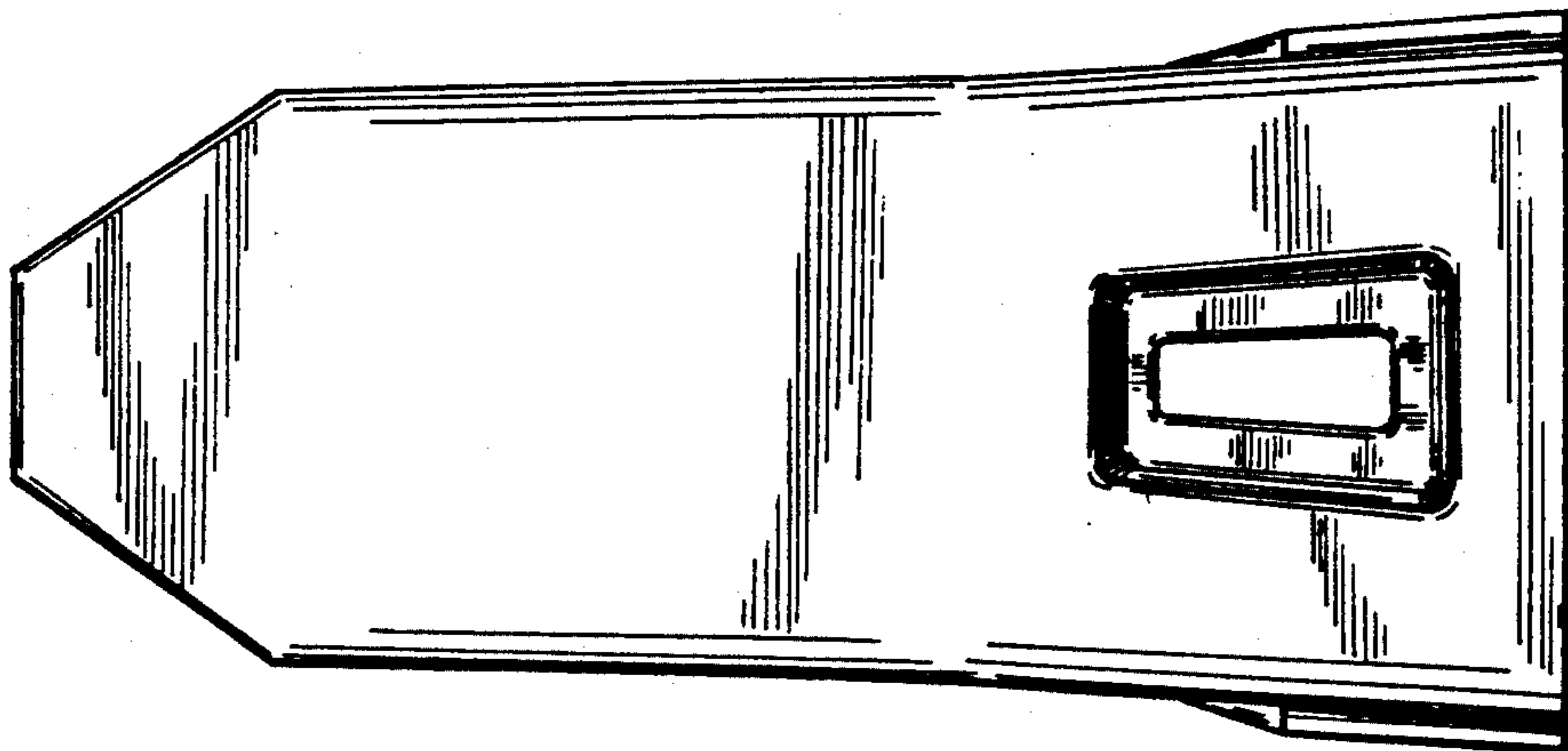


FIG. 6