



US00D329229S

# United States Patent [19]

Koch et al.

[11] Patent Number: **Des. 329,229**

[45] Date of Patent: **\*\* Sep. 8, 1992**

[54] **DATA STORAGE UNIT**

[75] Inventors: **Siegfried Koch,**  
Villingen-Schwenningen; **Otto**  
**Becker,** Trossingen, both of Fed.  
Rep. of Germany

[73] Assignee: **Mannesmann Kienzle GmbH,**  
Villingen-Schwenningen, Fed. Rep.  
of Germany

[\*\*] Term: **14 Years**

[21] Appl. No.: **490,965**

[22] Filed: **Mar. 9, 1990**

[30] **Foreign Application Priority Data**

Sep. 13, 1989 [DE] Fed. Rep. of Germany ... 8906459[U]

[52] U.S. Cl. .... **D14/109**

[58] Field of Search ..... D14/100, 107, 105, 108,  
D14/109; D13/158, 162, 184, 199; 235/379,  
440; 360/98.01-99.12; 361/380-385, 390-395;  
364/708; D18/7

[56] **References Cited**

**U.S. PATENT DOCUMENTS**

D. 290,010 5/1987 Ohtsu ..... D14/109

D. 298,628	11/1988	Merino .....	D14/109
D. 309,604	7/1990	Osaka et al. ....	D14/109
4,345,147	8/1982	Aaron et al. ....	364/708 X
4,523,087	6/1985	Benton .....	D18/7 X
4,652,976	3/1987	Fushimoto .....	361/395 X
4,715,385	12/1987	Cudahy et al. ....	364/708 X
5,041,924	8/1991	Blackborow et al. ....	364/708 X

*Primary Examiner*—Wallace R. Burke  
*Assistant Examiner*—Freda S. Nunn  
*Attorney, Agent, or Firm*—Anderson Kill Olick

[57] **CLAIM**

The ornamental design for a data storage unit, as shown and described.

**DESCRIPTION**

FIG. 1 is a front elevational view of a data storage unit showing our new design;  
FIG. 2 is a rear elevational view thereof;  
FIG. 3 is a side elevational view thereof;  
FIG. 4 is a front perspective view thereof shown with the cover opened and a cartridge inserted therein; and, FIG. 5 is a front perspective view thereof shown with the cover opened and a cartridge removed.  
The cartridge in FIGS. 4 and 5 is shown in broken lines for illustrative purposes only and forms no part of the claimed design.

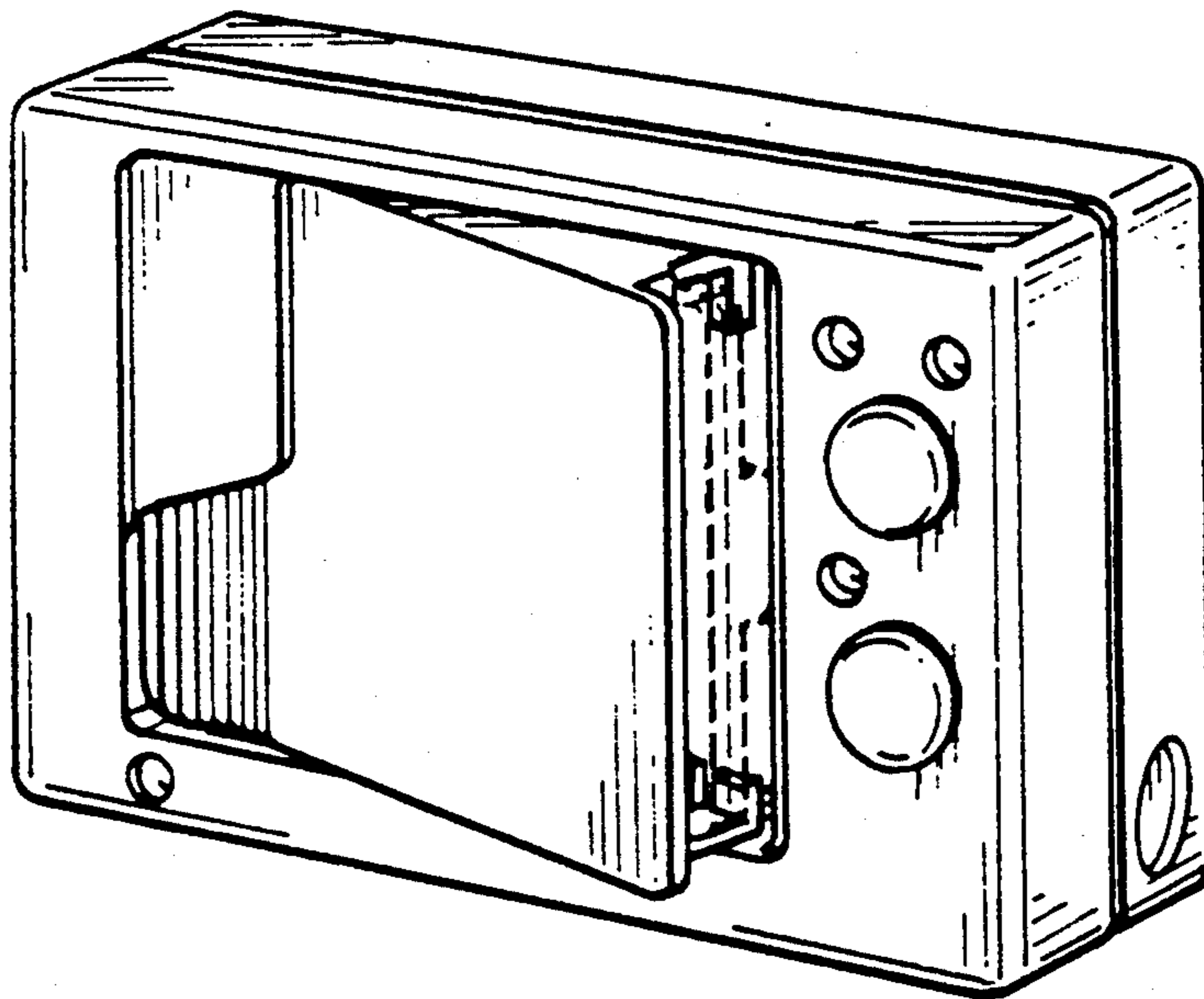


FIG. 3

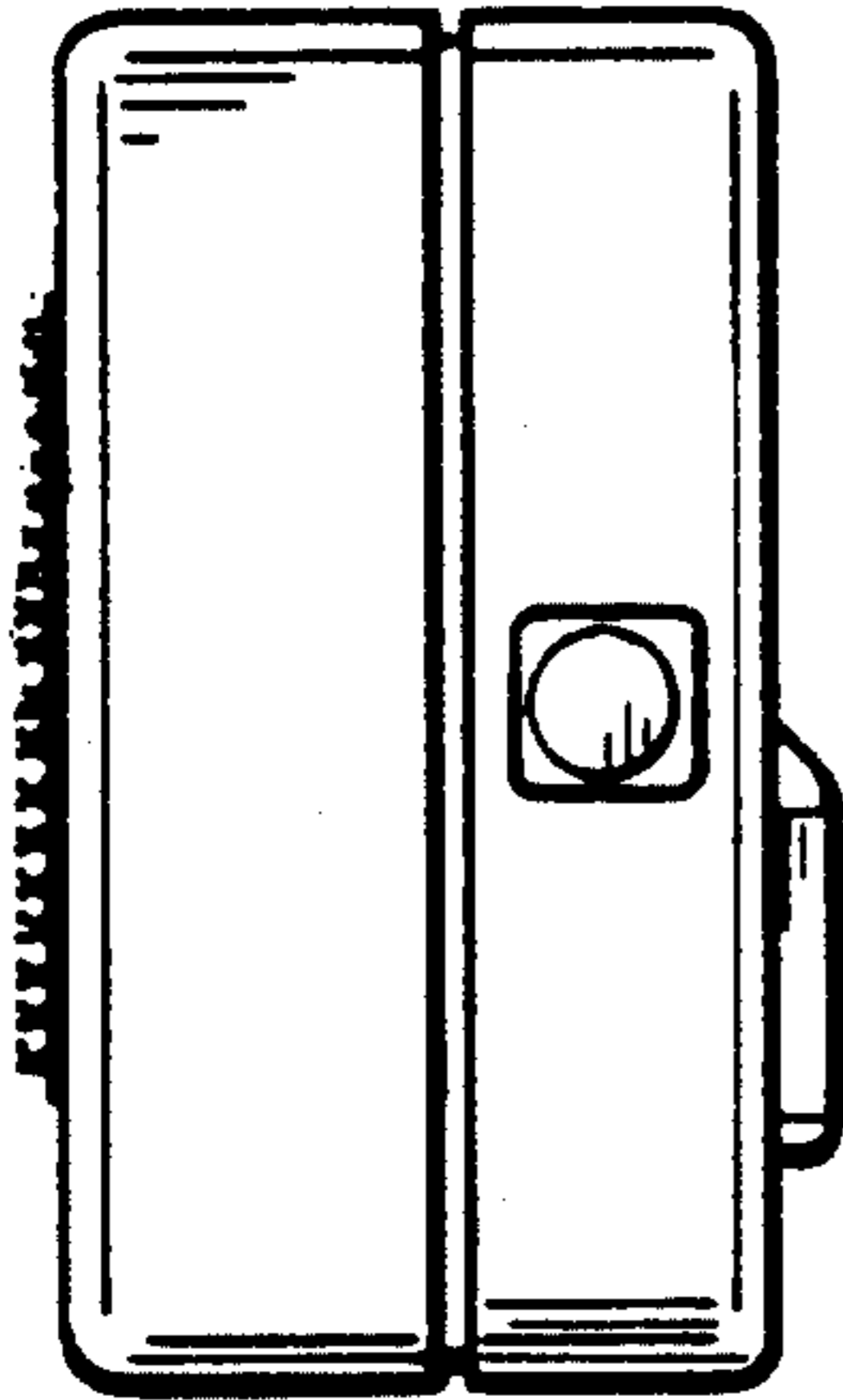


FIG. 1

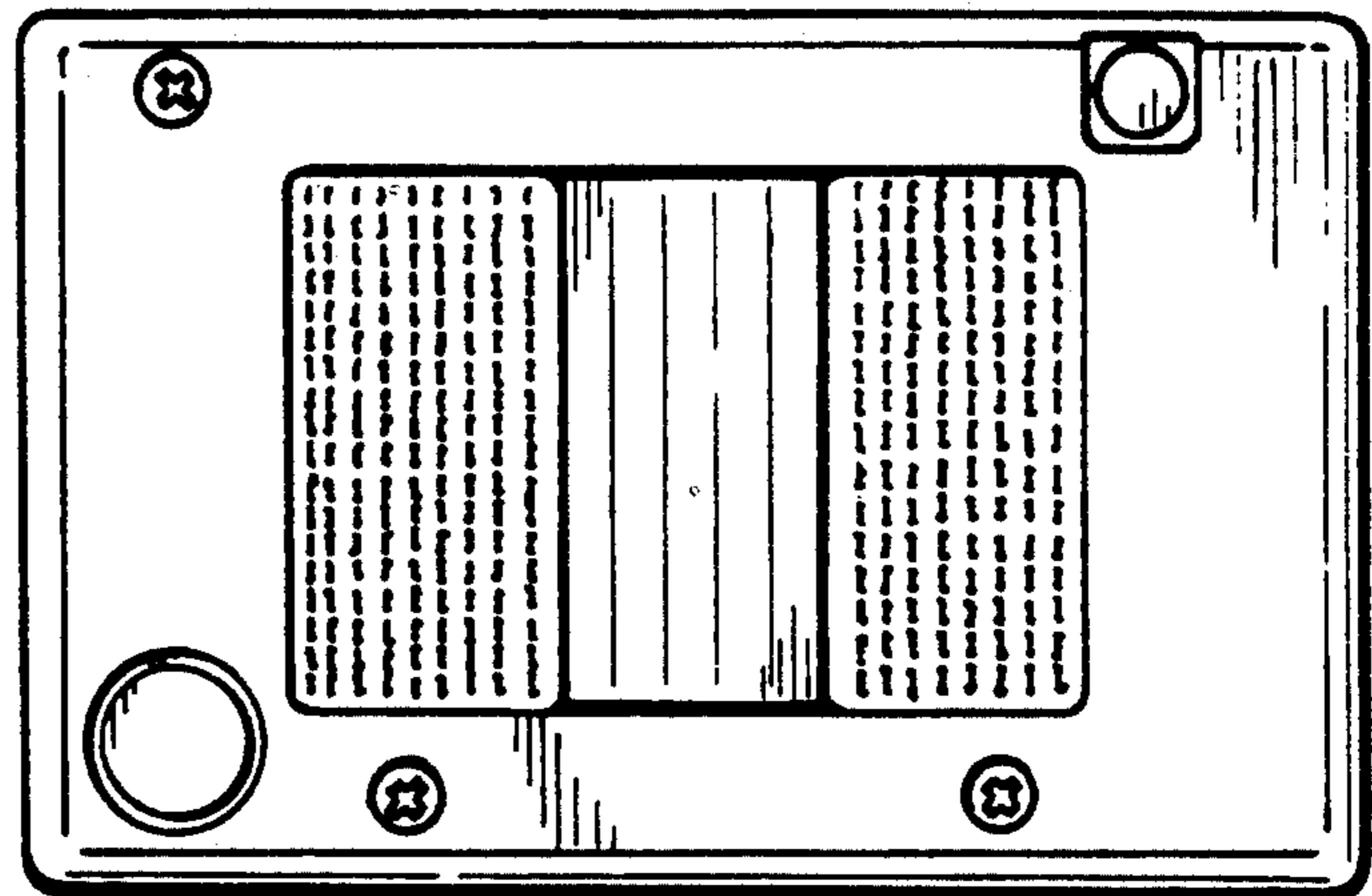
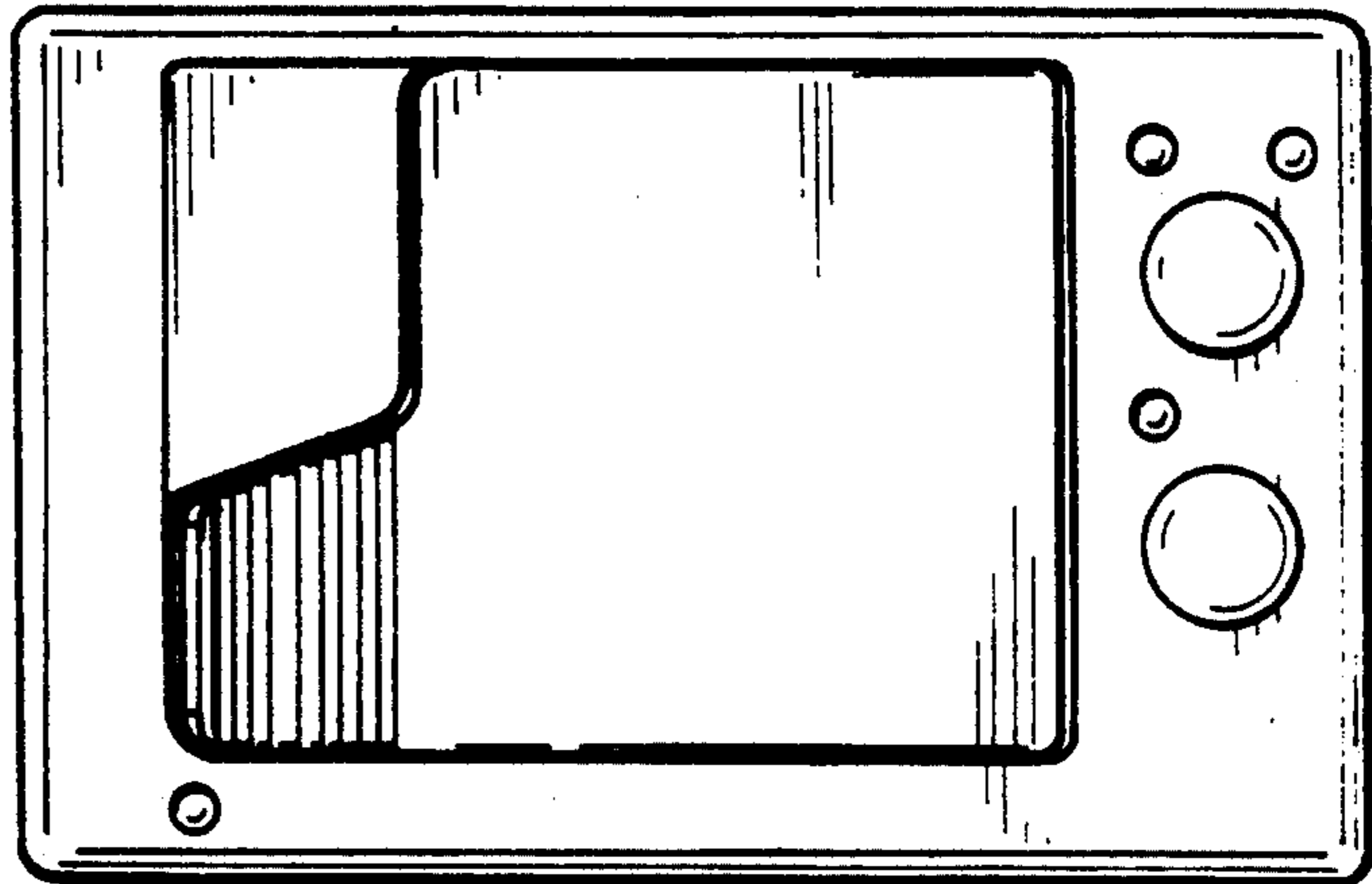


FIG. 2

FIG. 4

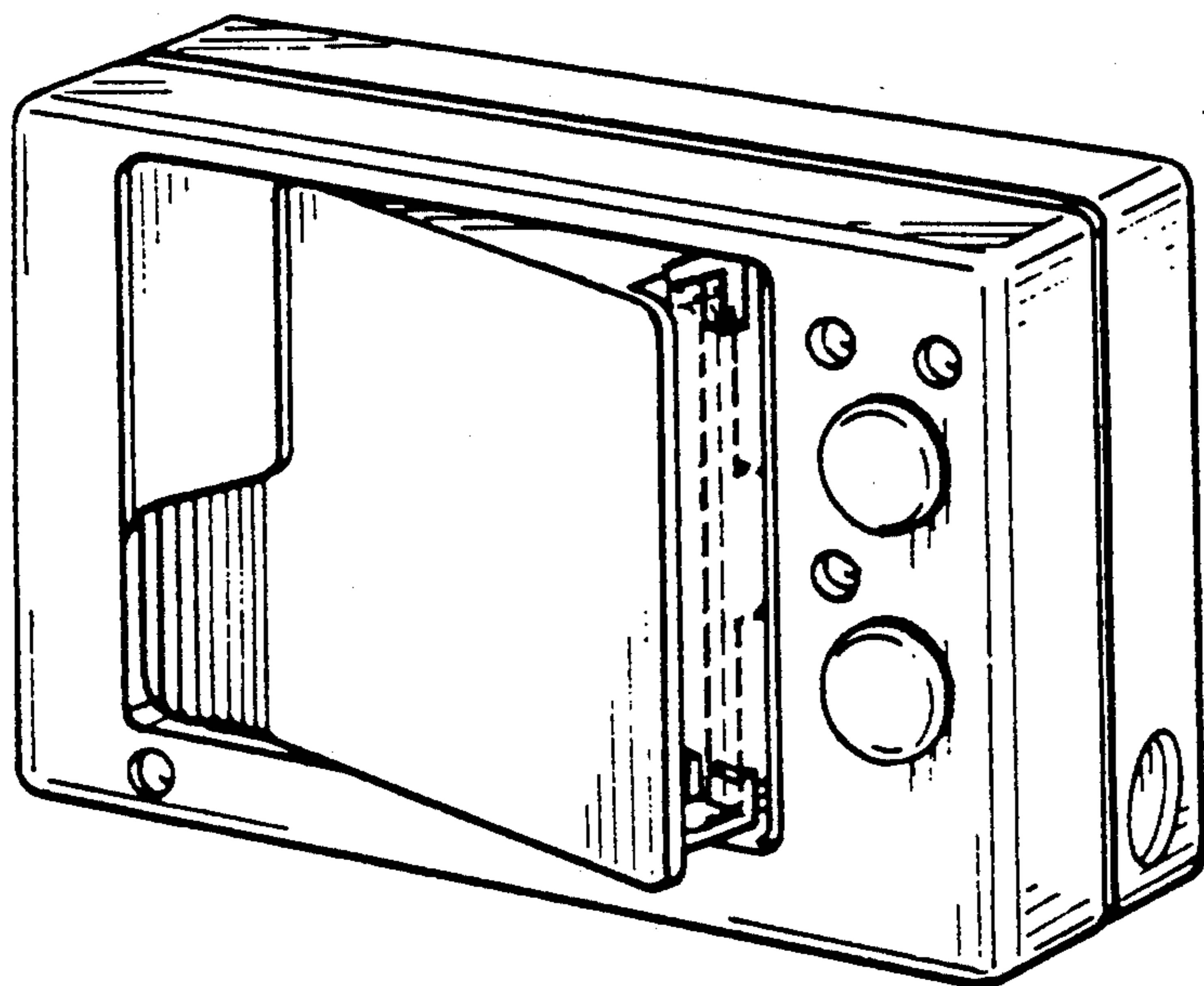


FIG. 5

