



US00D329225S

# United States Patent [19]

[11] Patent Number: Des. 329,225

Nelson

[45] Date of Patent: \*\* Sep. 8, 1992

[54] REPLACEABLE FUSER UNIT FOR A SPATIAL LIGHT MODULATING PRINTER

4,563,666 1/1986 Borzoni ..... 337/186 X  
4,920,327 4/1990 Arikawa et al. .... 337/231

[75] Inventor: William E. Nelson, Dallas, Tex.

Primary Examiner—Susan J. Lucas

Assistant Examiner—M. H. Tung

[73] Assignee: Texas Instruments Incorporated, Dallas, Tex.

Attorney, Agent, or Firm—Julie L. Schneider; James C. Kesterson; Richard L. Donaldson

[\*\*] Term: 14 Years

[57] CLAIM

[21] Appl. No.: 454,567

The ornamental design for a replaceable fuser unit for a spatial light modulating printer, as shown and described.

[22] Filed: Dec. 21, 1989

[52] U.S. Cl. .... D13/161

DESCRIPTION

[58] Field of Search ..... D13/158, 160-161; 337/186, 227-228, 231, 234, 241; 174/48; 361/430

FIG. 1 is a perspective view of a replaceable fuser unit for a spatial light modulating printer showing my new design;

FIG. 2 is a front elevational view thereof;

FIG. 3 is a rear elevational view thereof;

FIG. 4 is a left side elevational view thereof;

FIG. 5 is a right side elevational view thereof;

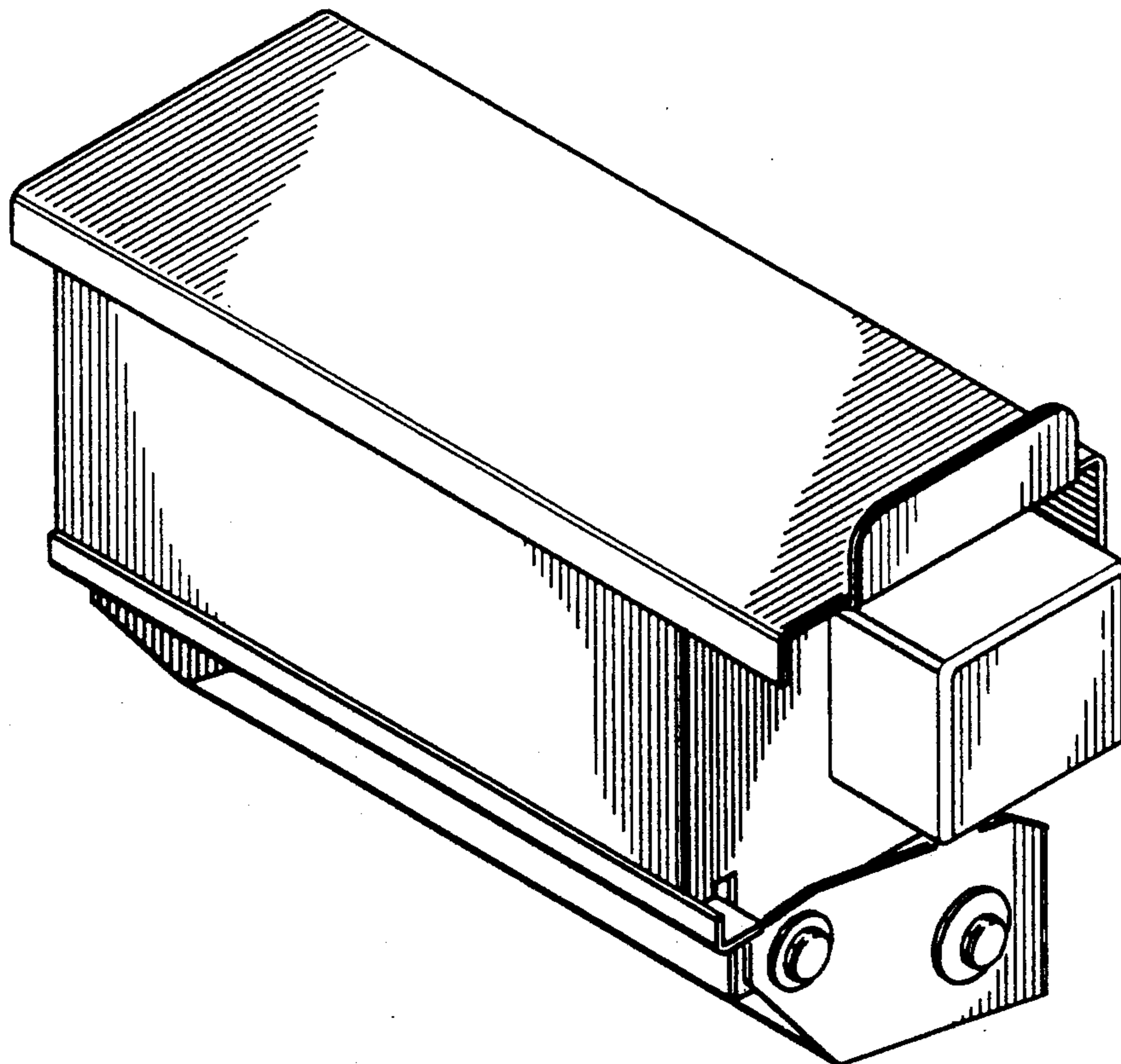
FIG. 6 is a top plan view thereof; and,

FIG. 7 is a bottom plan view thereof.

[56] References Cited

U.S. PATENT DOCUMENTS

D. 298,123 10/1988 Beard ..... D13/161  
D. 318,270 7/1991 Tsuji et al. .... D13/161  
4,511,875 4/1985 Arikawa ..... 337/186 X



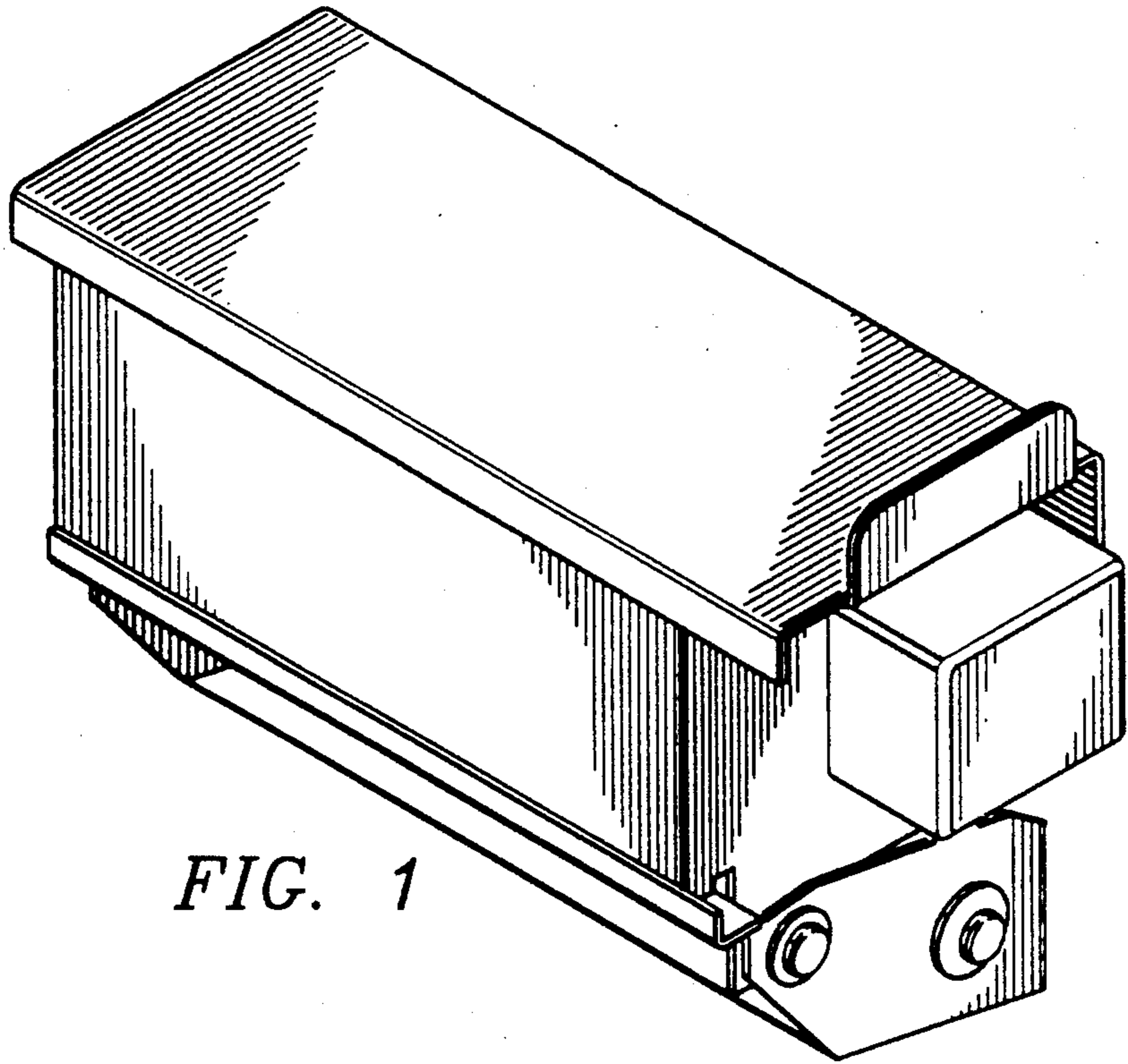


FIG. 1

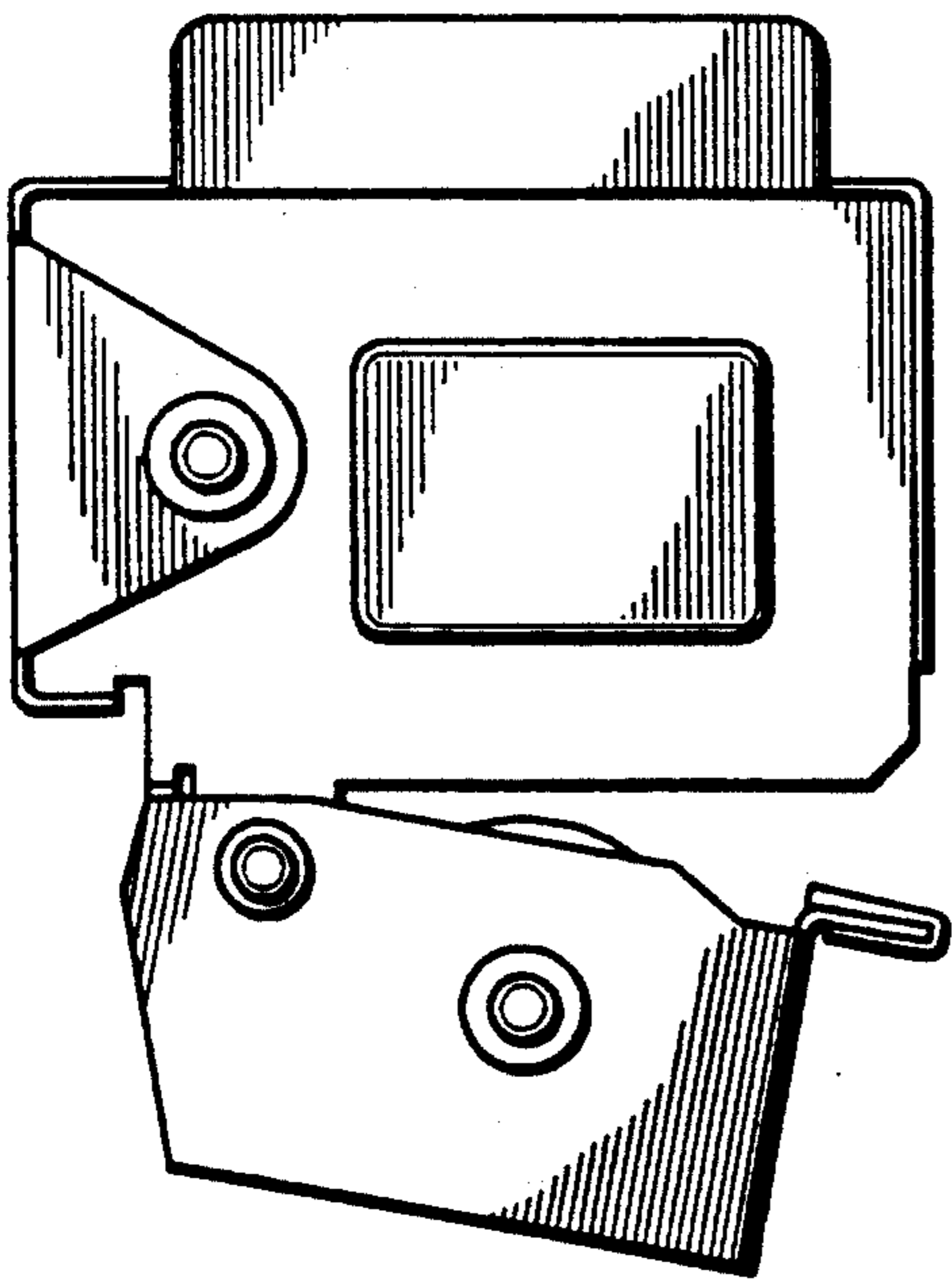


FIG. 2

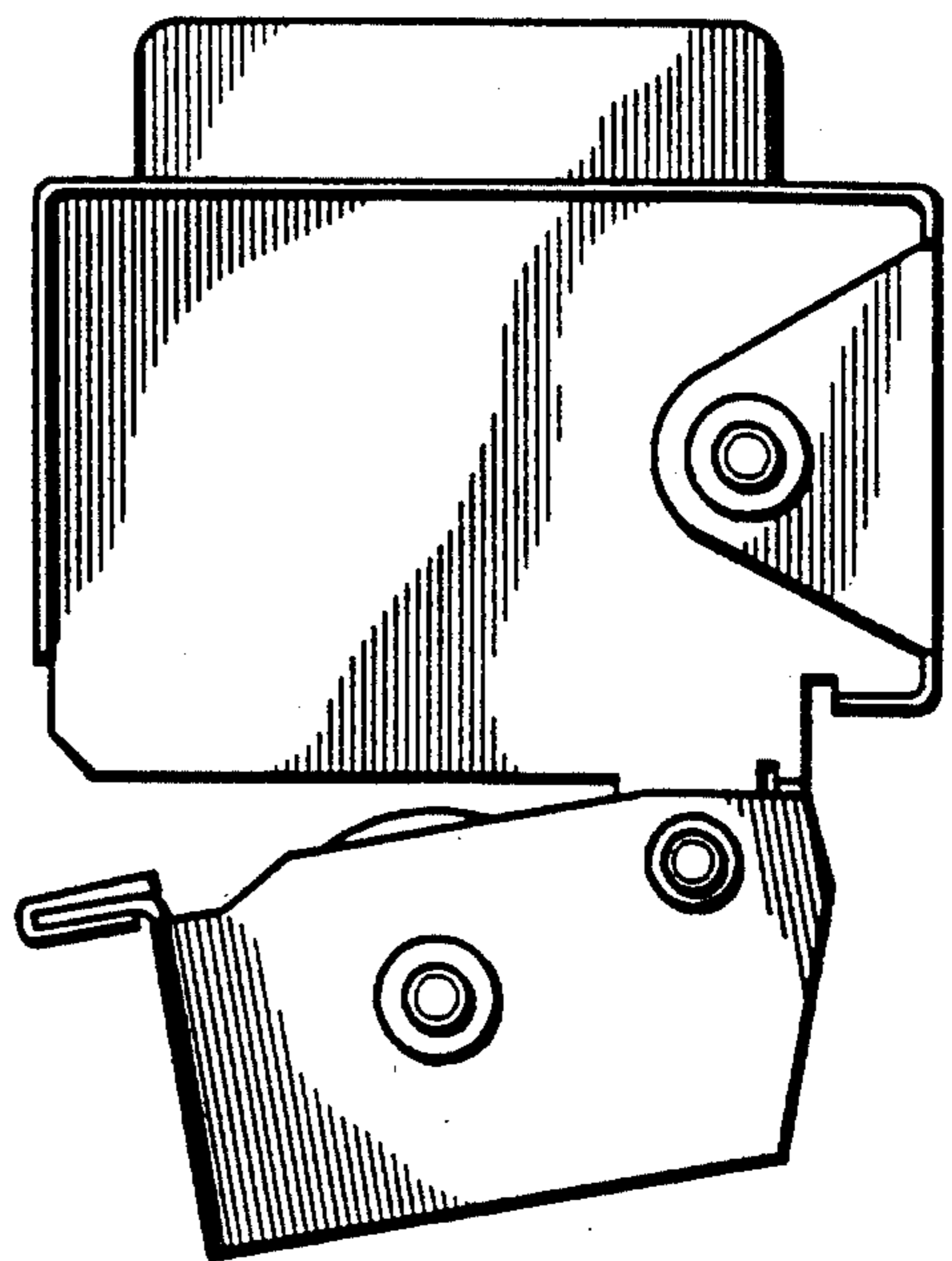


FIG. 3

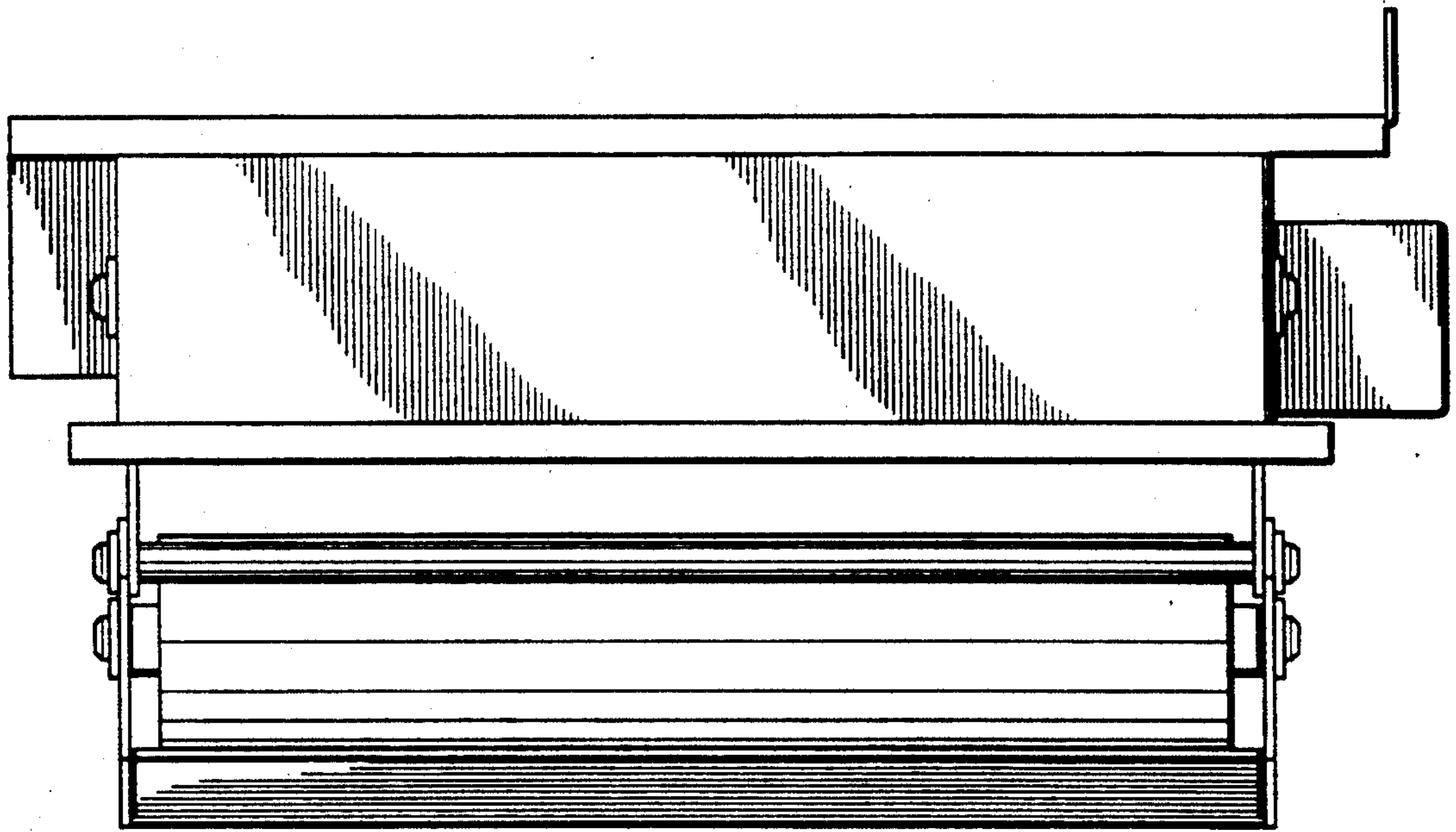


FIG. 4

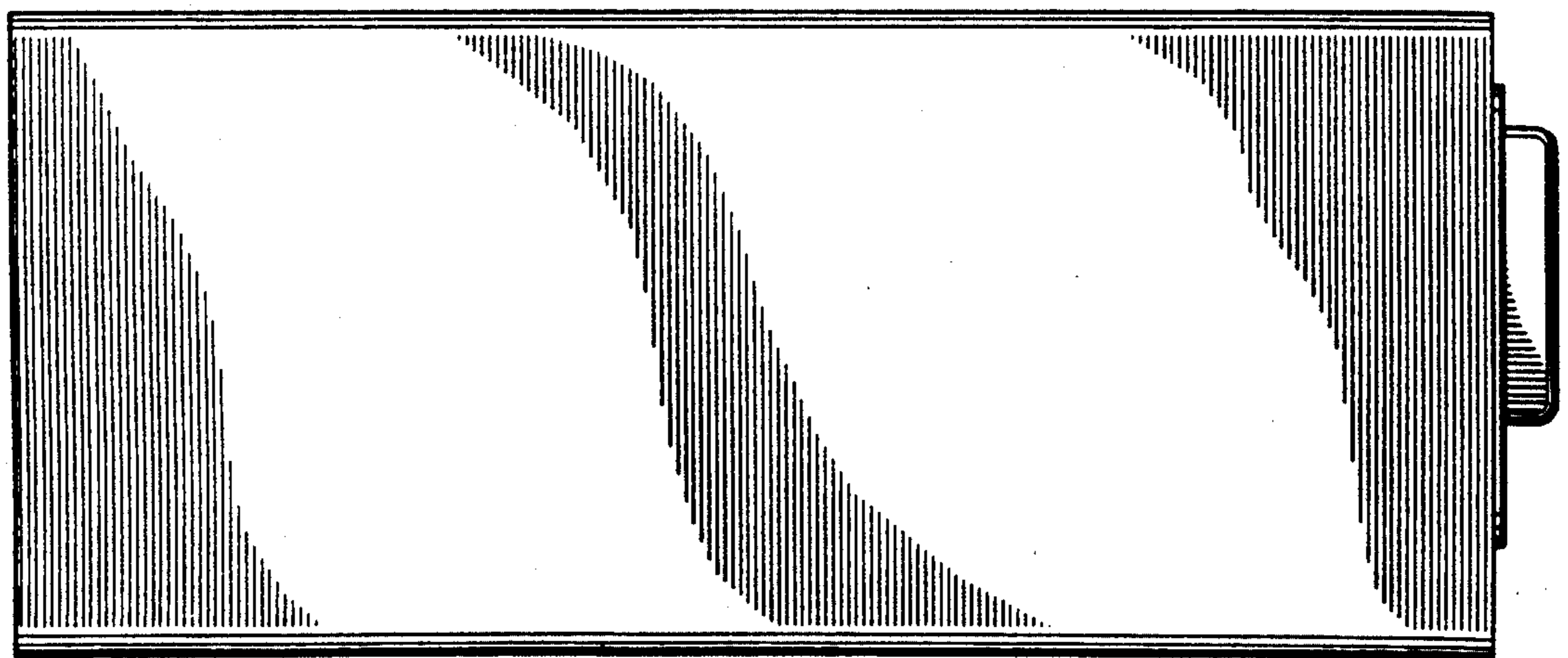


FIG. 6

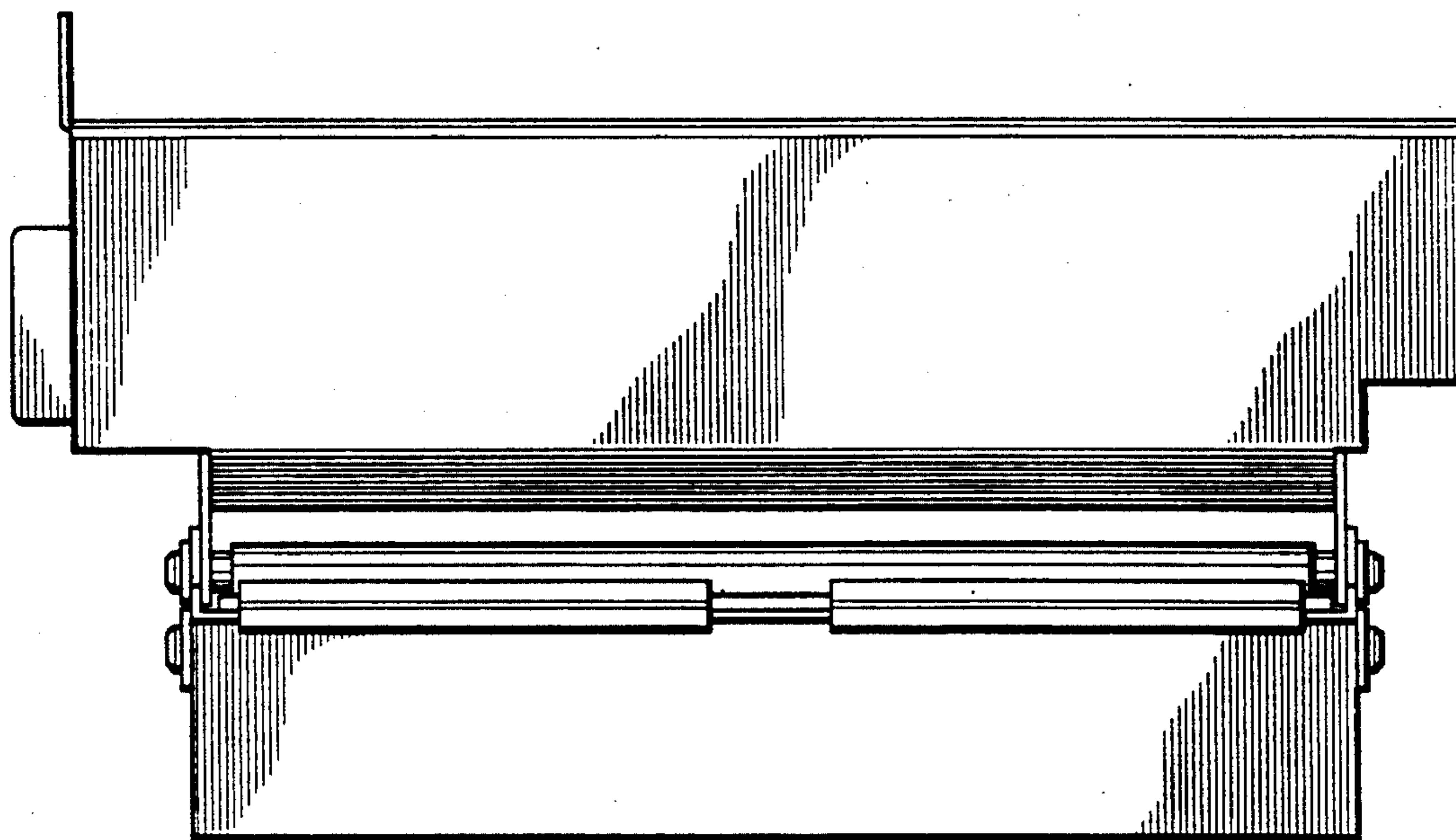


FIG. 5

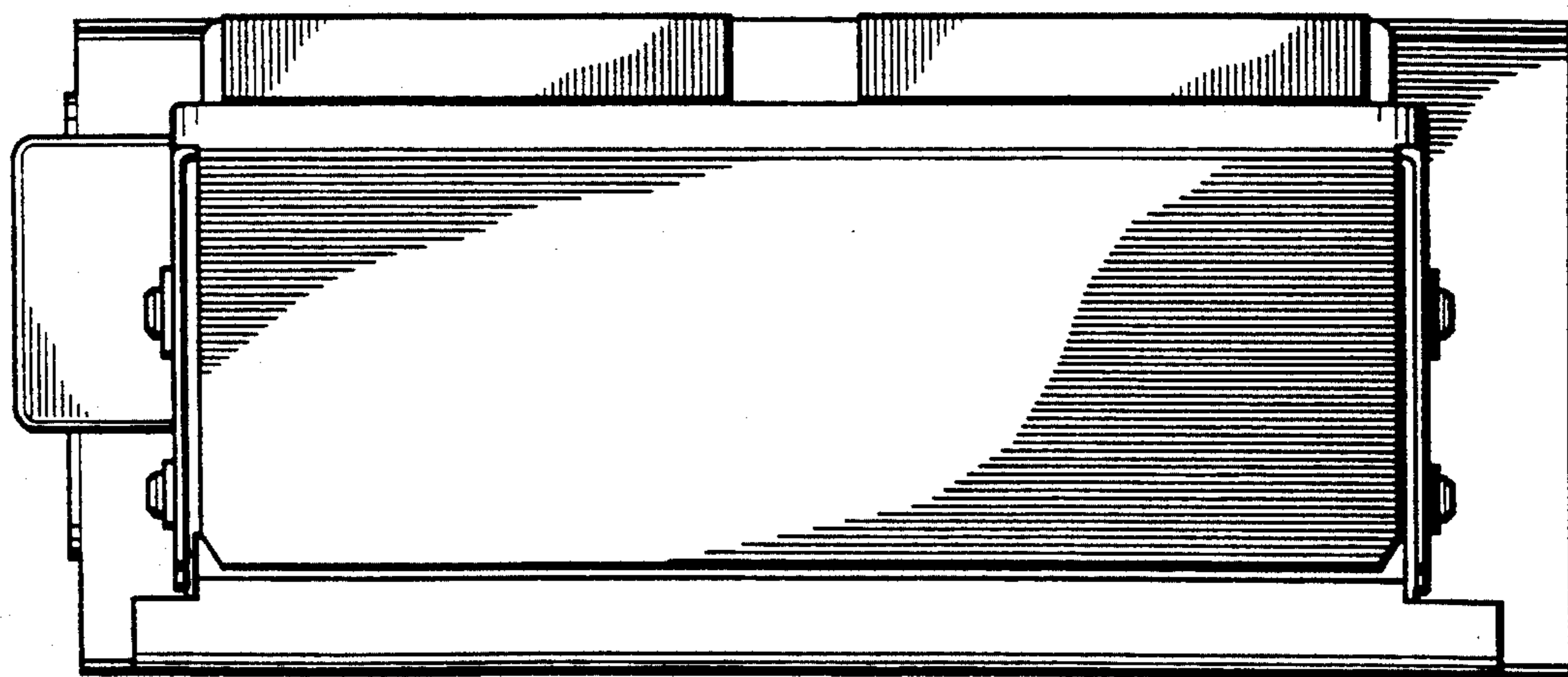


FIG. 7