



US00D329224S

# United States Patent [19]

[11] Patent Number: **Des. 329,224**

**Dinkel**

[45] Date of Patent: **\*\* Sep. 8, 1992**

[54] **HOT LINE CABLE CONNECTOR**

[75] Inventor: **Gunter E. Dinkel, Cincinnati, Ohio**

[73] Assignee: **Connector Manufacturing Company, Hamilton, Ohio**

[\*\*] Term: **14 Years**

[21] Appl. No.: **620,595**

[22] Filed: **Nov. 30, 1990**

[52] U.S. Cl. .... **D13/149**

[58] Field of Search ..... **D13/133, 149; D8/394, D8/396, 397; 248/229, 214, 316.1, 231.1; 439/391, 803**

**FOREIGN PATENT DOCUMENTS**

1433964 4/1976 United Kingdom ..... 439/803

**OTHER PUBLICATIONS**

Chance PC clamp p. 115 *Electrical World*, Nov. 1957.

*Primary Examiner*—Wallace R. Burke

*Assistant Examiner*—J. Sincavage

*Attorney, Agent, or Firm*—Biebel & French

[57] **CLAIM**

The ornamental design for a hot line cable connector, as shown.

**DESCRIPTION**

FIG. 1 is a front and upper left perspective view of a hot line cable connector showing my new design;

FIG. 2 is a top plan view thereof;

FIG. 3 is a rear elevational view thereof;

FIG. 4 is a bottom plan view thereof;

FIG. 5 is a front elevational view thereof; and,

FIG. 6 is a right side elevational view thereof.

[56] **References Cited**

**U.S. PATENT DOCUMENTS**

D. 152,135	12/1948	Becker	.....	D3/396	X
D. 214,273	5/1969	Bricker	.....	D13/149	
2,514,474	7/1950	Cook	.....	439/803	X
4,934,949	6/1990	Charneski et al.	.....	439/803	X

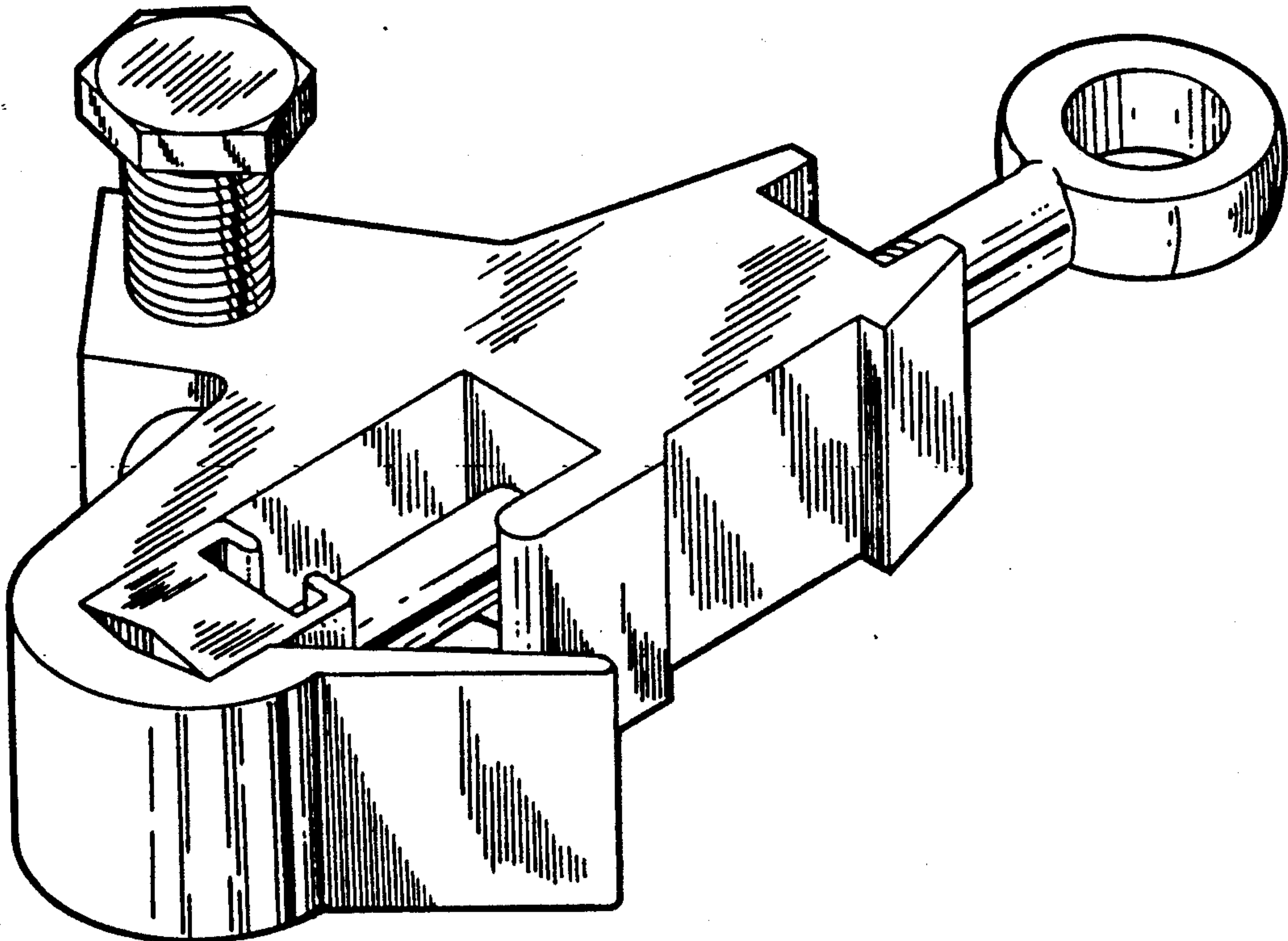


FIG -1

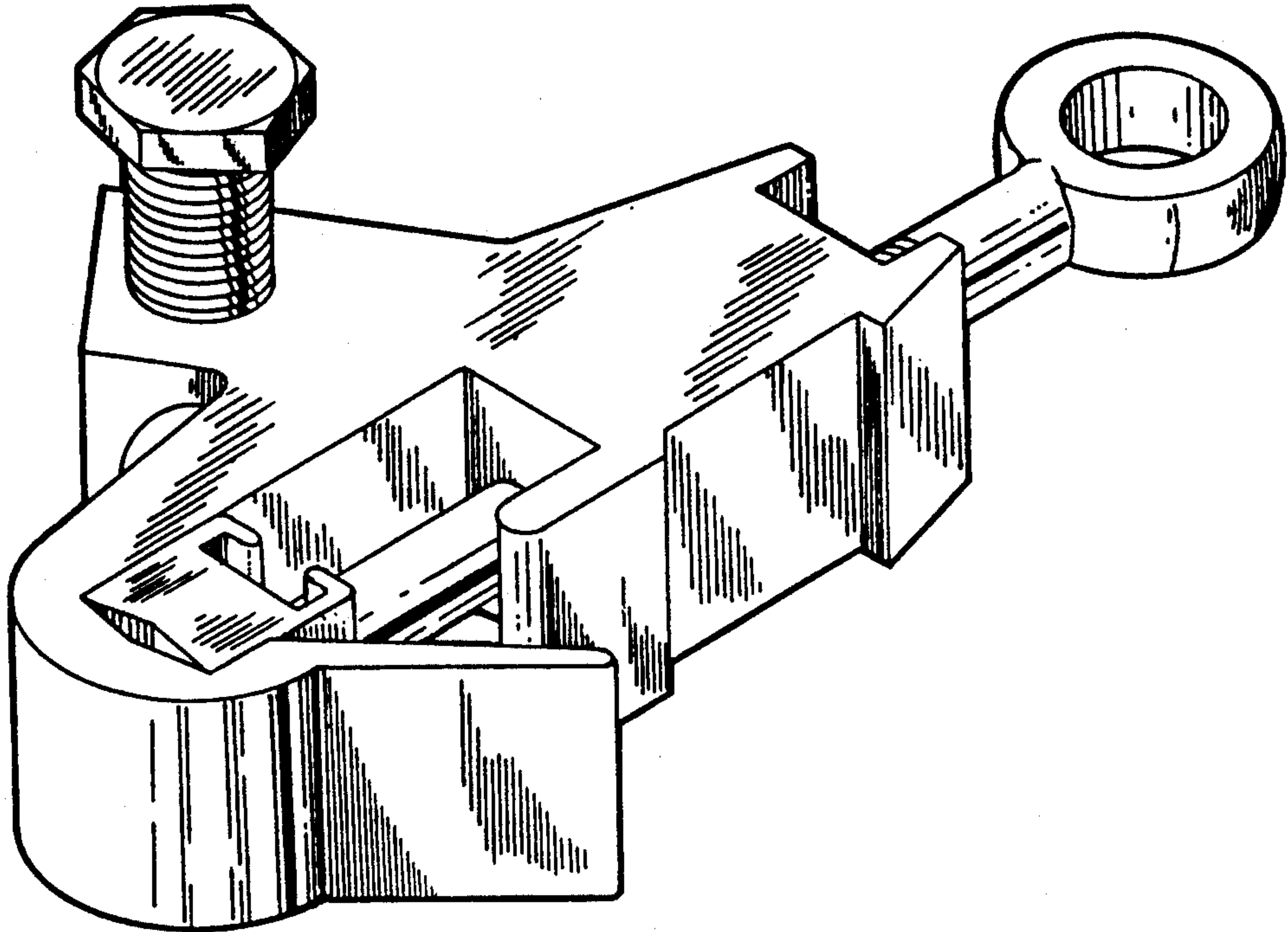


FIG -2

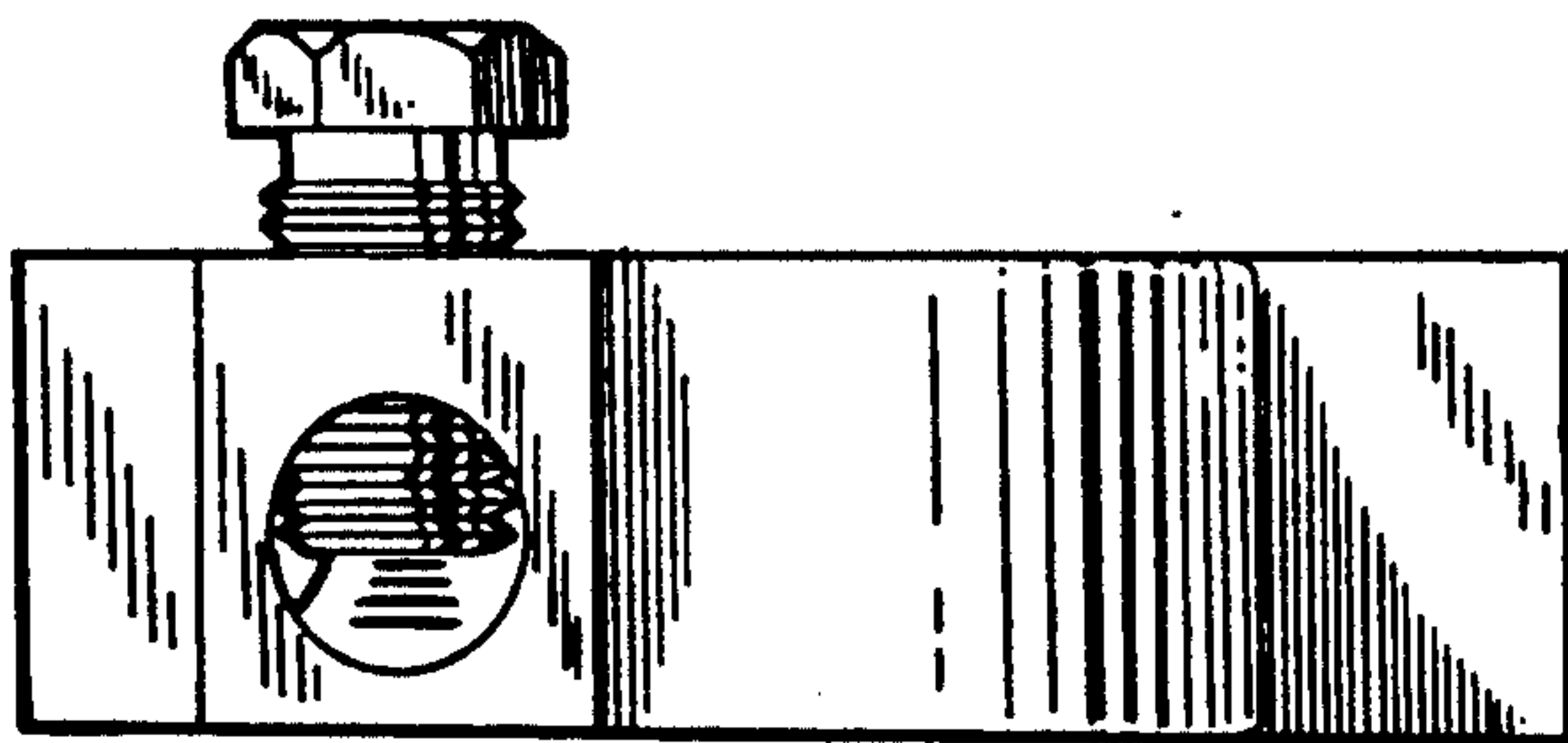


FIG -3

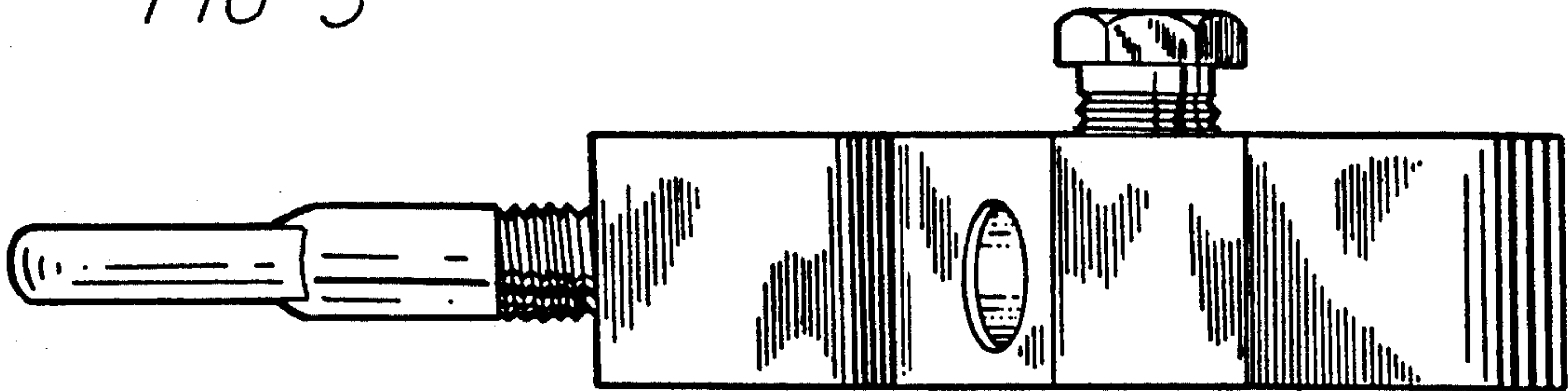


FIG - 4

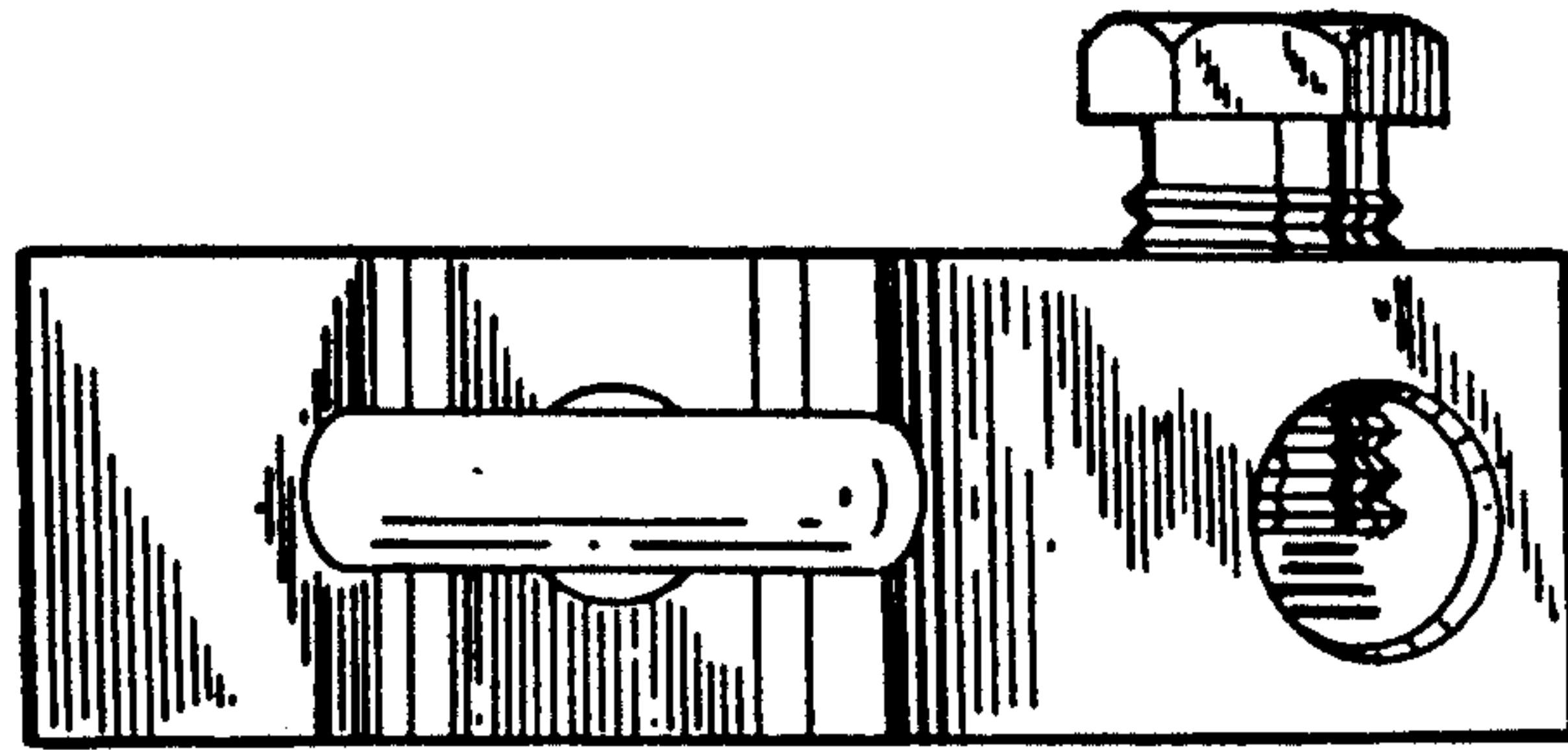


FIG - 5

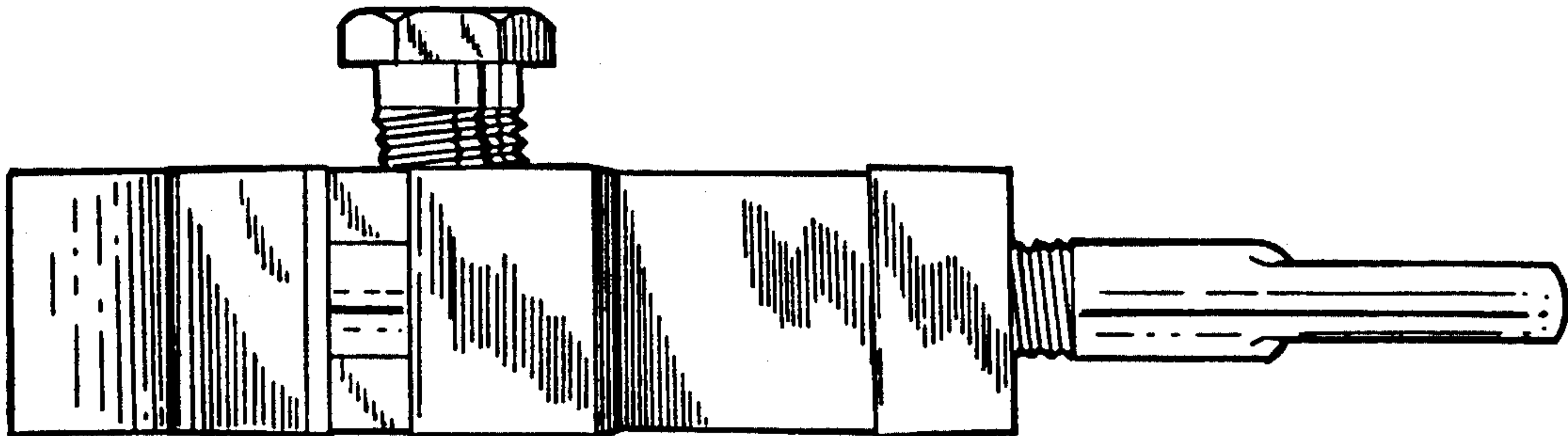


FIG - 6

