



US00D329222S

# United States Patent [19]

[11] Patent Number: **Des. 329,222**

Nagasaka et al.

[45] Date of Patent: **\*\* Sep. 8, 1992**

[54] **ELECTRICAL CONNECTOR HOUSING**

D. 276,042	10/1984	Moriai et al.	.....	D13/147
4,640,566	2/1987	Matsusaka	.....	439/350
4,710,135	12/1987	Aoyama et al.	.....	439/598 X
4,758,182	7/1988	Anbo et al.	.....	439/586 X
4,975,075	12/1990	Jinno et al.	.....	D13/147 X

[75] Inventors: **Yasuhiro Nagasaka; Yasuo Hirayama**, both of Toyota; **Yoshitsugu Sawada; Yukio Ohta**, both of Shizuoka, all of Japan

*Primary Examiner*—Susan J. Lucas  
*Assistant Examiner*—J. Sincavage

[73] Assignee: **Yazaki Corporation**, Tokyo, Japan

[57] **CLAIM**

[\*\*] Term: **14 Years**

The ornamental design for an electrical connector housing, as shown and described.

[21] Appl. No.: **394,849**

[22] Filed: **Aug. 17, 1989**

**DESCRIPTION**

[30] **Foreign Application Priority Data**

Feb. 23, 1989 [JP] Japan ..... 1-6441

[52] U.S. Cl. .... **D13/133**

[58] Field of Search ..... D13/146,147; 439/147, 439/246, 247, 282, 292, 293, 345, 350, 352, 353, 357, 358, 577, 586, 587, 595, 598, 600, 680, 686, 695, 701, 724

FIG. 1 is a top plan view of an electrical connector housing showing our new design; FIG. 2 is a front elevational view thereof; FIG. 3 is a bottom plan view thereof; FIG. 4 is a left side elevational view thereof; FIG. 5 is a right side elevational view thereof; FIG. 6 is a rear elevational view thereof; FIG. 7 is a cross-sectional view thereof, taken along line 7—7 or FIG. 2; FIG. 8 is a cross-sectional view thereof, taken along line 8—8 of FIG. 2; and, FIG. 9 is a perspective view thereof, taken from the front and lower left.

[56] **References Cited**

**U.S. PATENT DOCUMENTS**

D. 272,061	1/1984	Moriai et al.	.....	D13/147
D. 272,144	1/1984	Mayumi	.....	D13/147

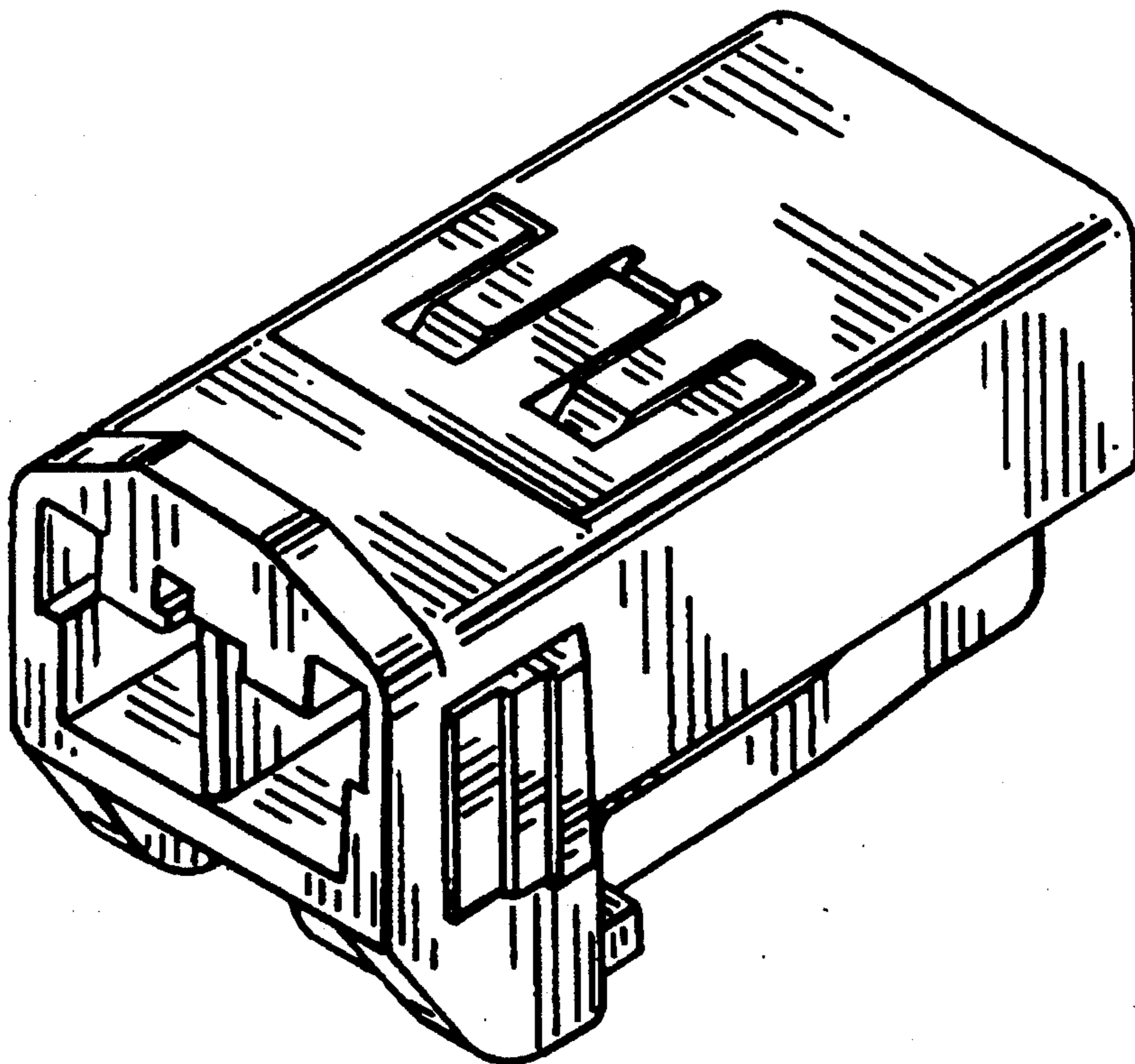


FIG. 1

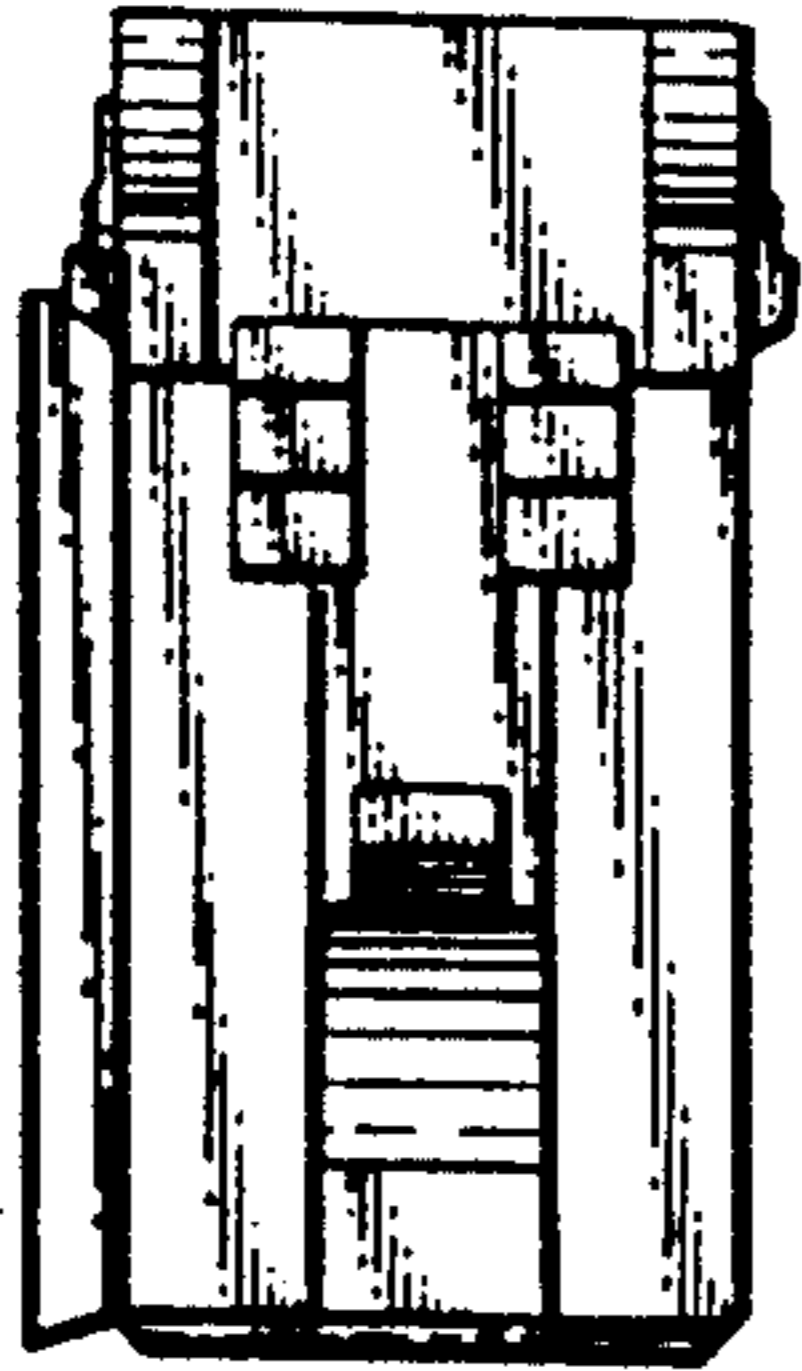


FIG. 5

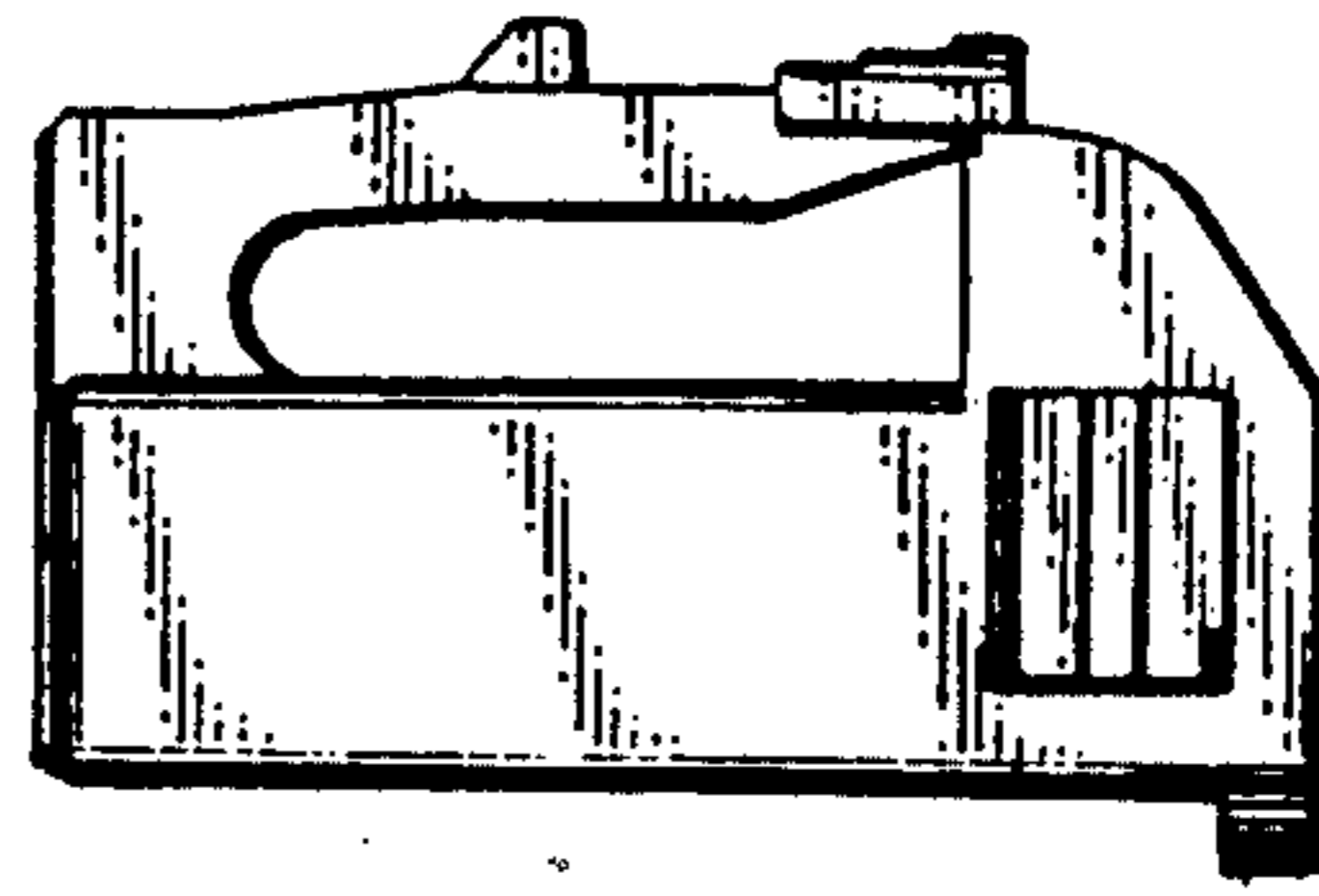


FIG. 2

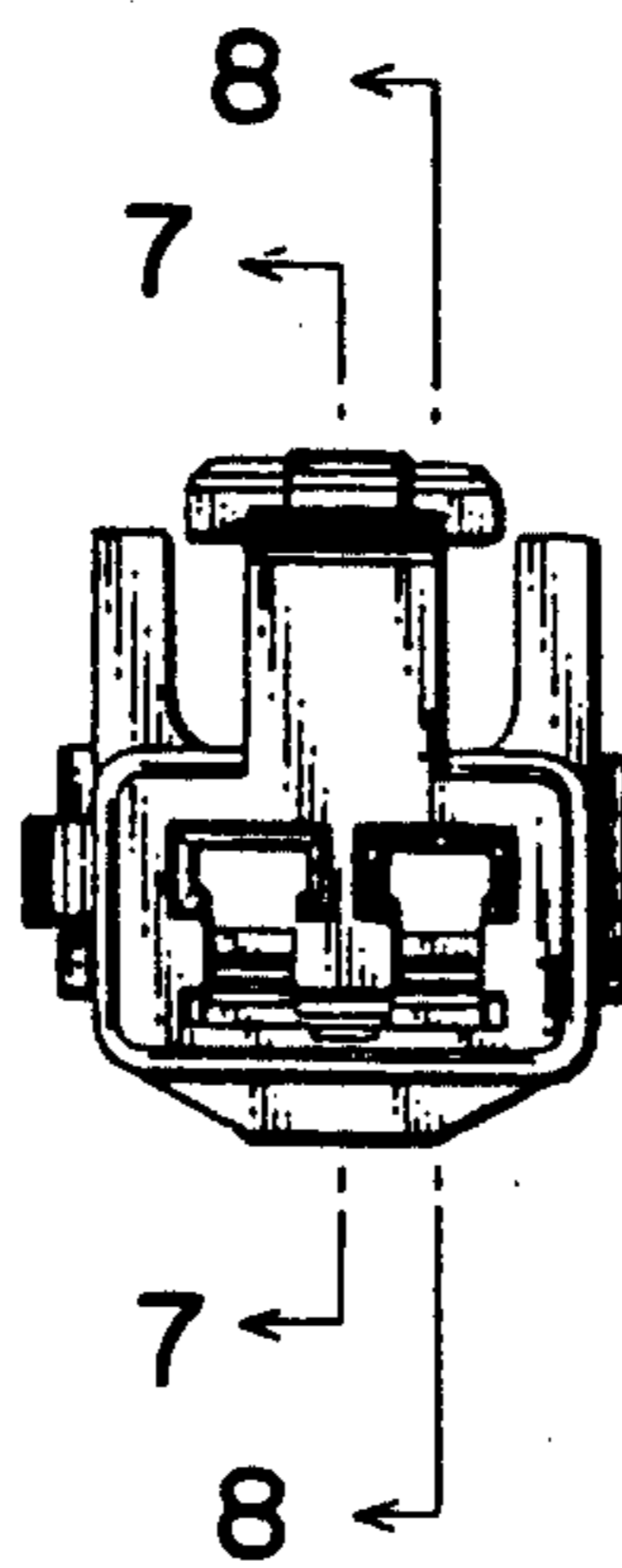


FIG. 6

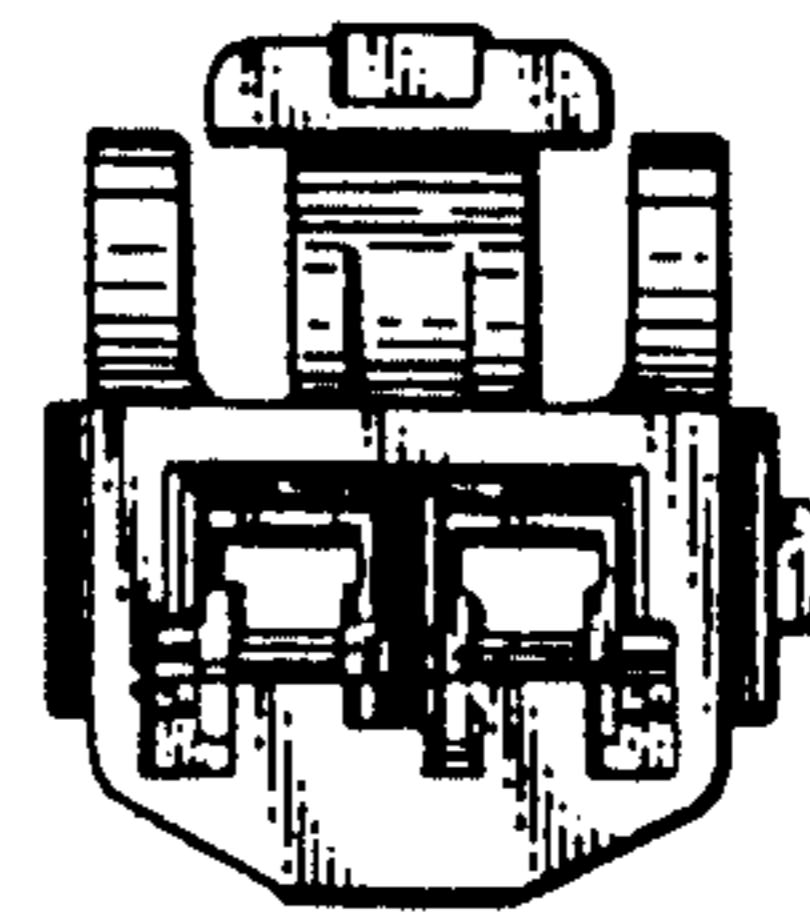


FIG. 3

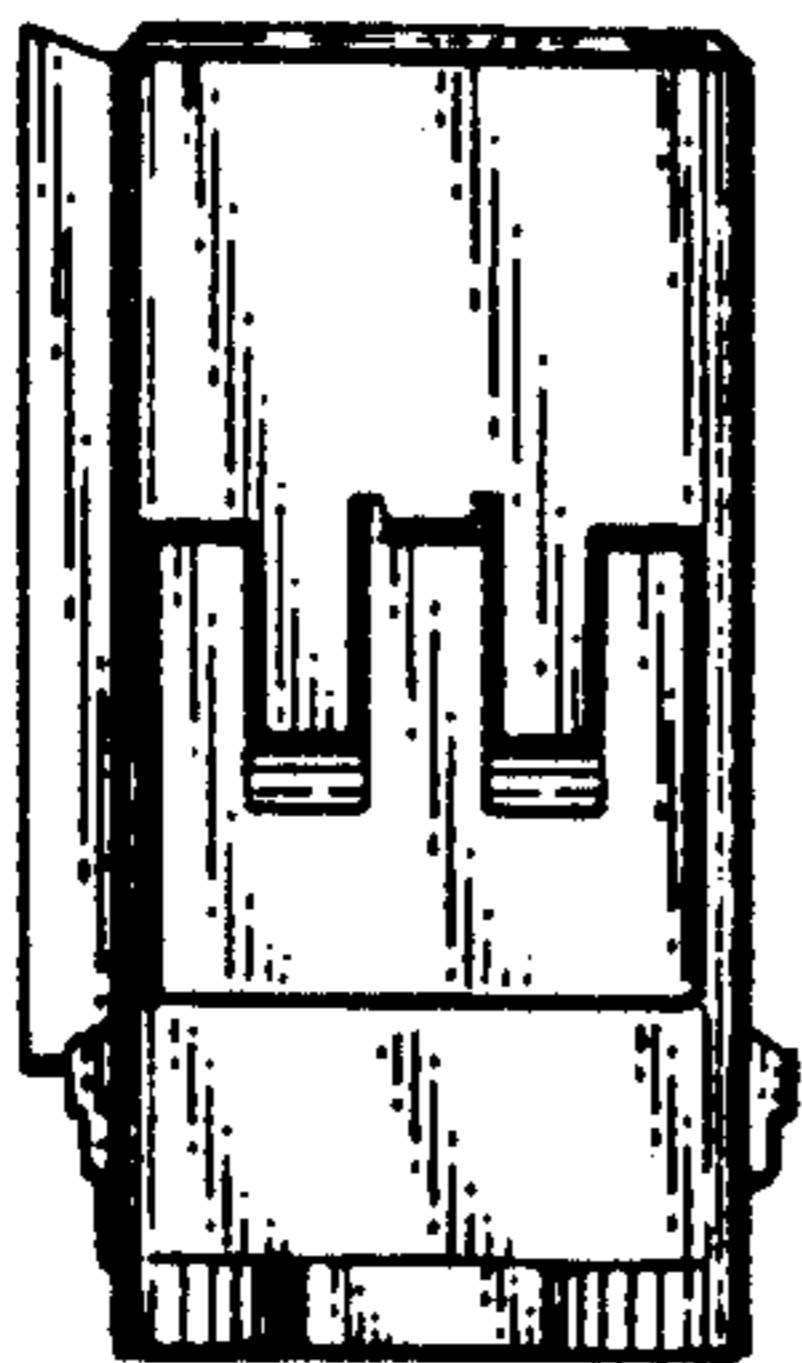


FIG. 7

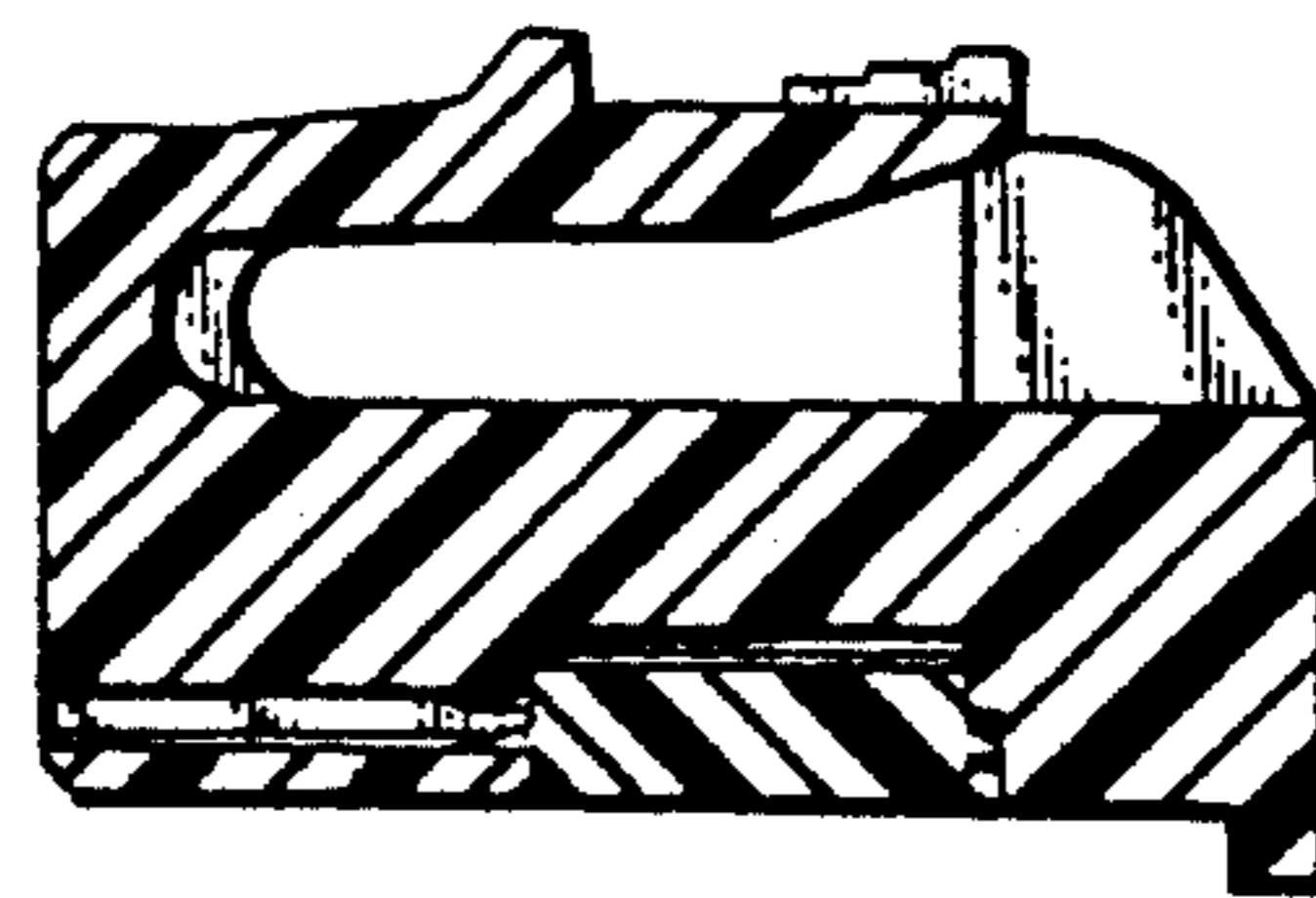


FIG. 4

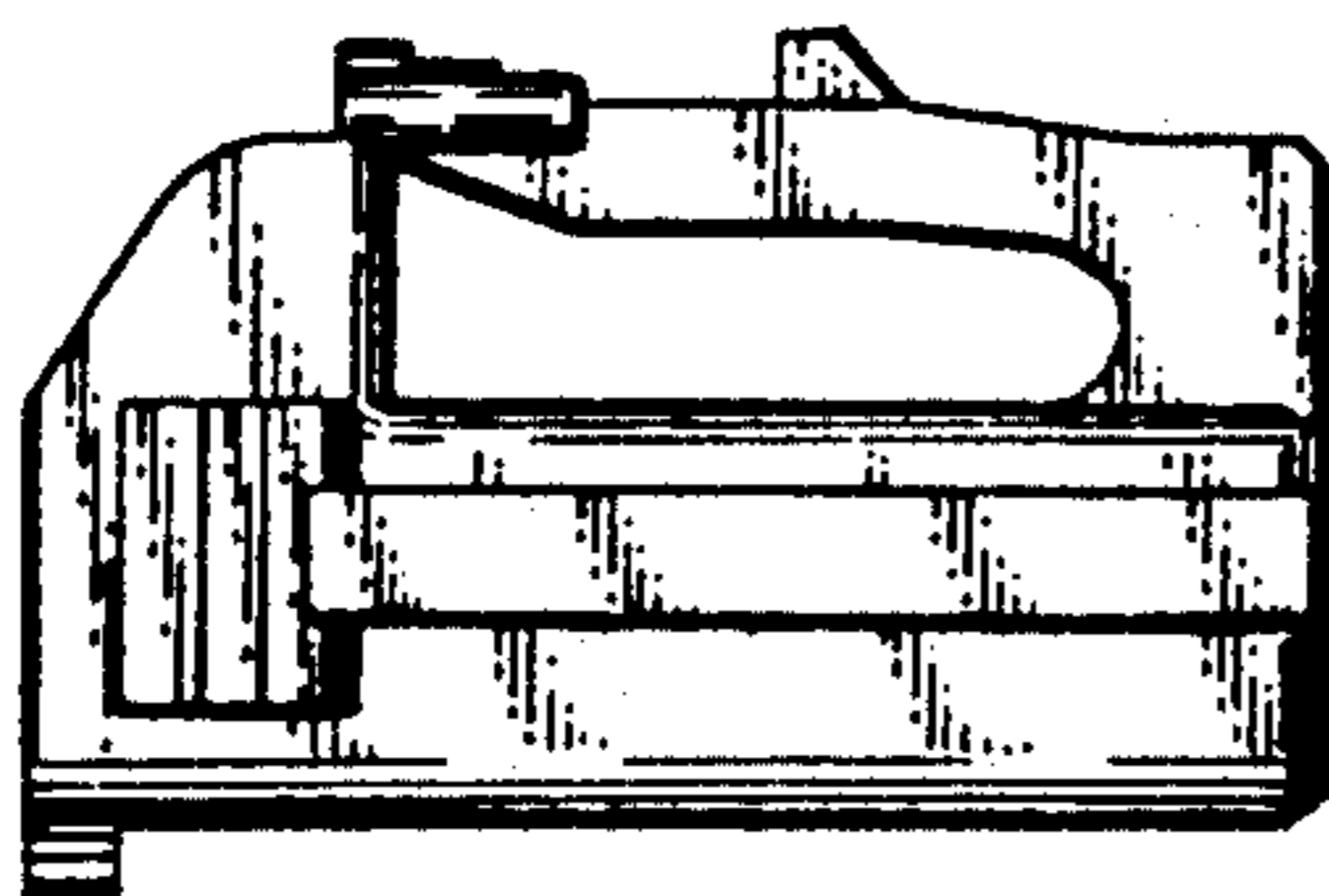
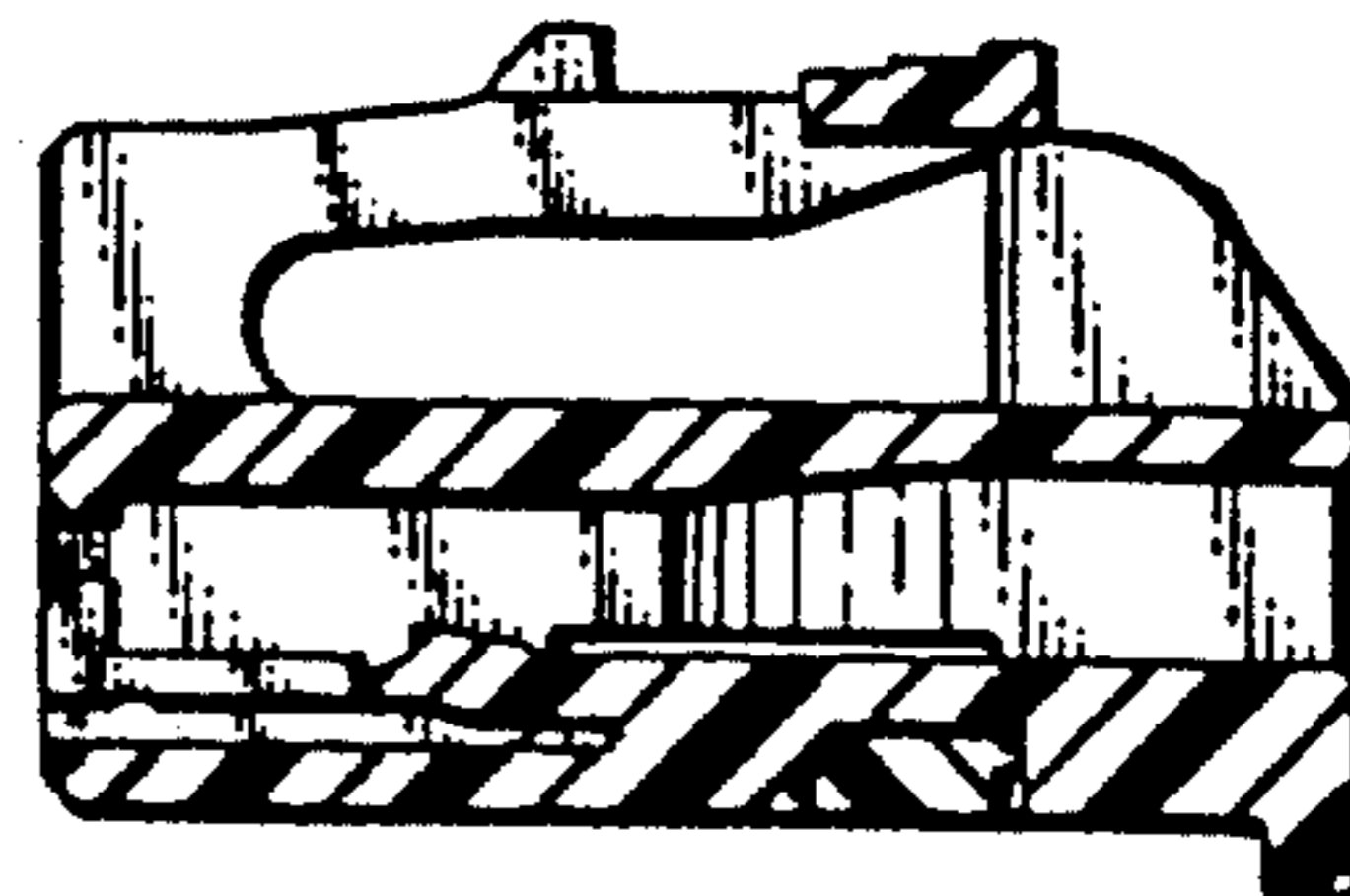


FIG. 8



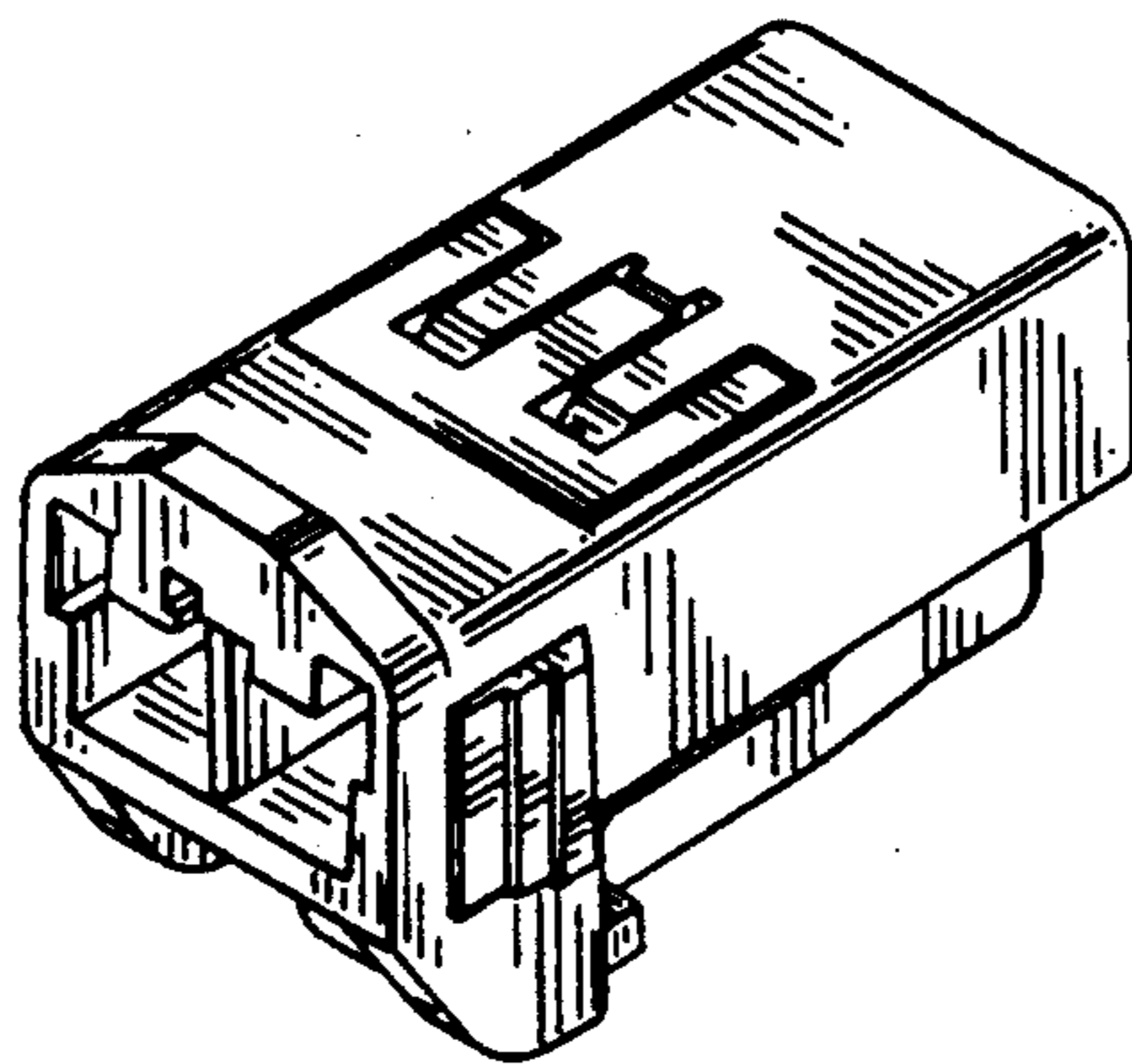


FIG. 9