



US00D329215S

United States Patent [19]

[11] Patent Number: **Des. 329,215**

Alexander et al.

[45] Date of Patent: **** Sep. 8, 1992**

[54] CAMPING TRAILER

[76] Inventors: **Paul H. Alexander; William E. Huffman**, both of 11550 Noguera Ave., Ventura, Calif. 93001

[**] Term: **14 Years**

[21] Appl. No.: **605,188**

[22] Filed: **Oct. 26, 1990**

[52] U.S. Cl. **D12/102**

[58] Field of Search **D12/102, 103; 296/156, 296/165, 22, 24 A, 181; D7/334**

[56] References Cited

U.S. PATENT DOCUMENTS

D. 99,295	4/1936	Murray	D12/103
D. 192,498	4/1962	Barton	D12/103
D. 232,817	9/1974	Watson	D12/102
D. 276,326	6/1972	Shryock	296/22
D. 298,810	12/1978	Velval	D12/102
D. 301,108	11/1984	Bell, Jr.	D12/102
D. 308,033	5/1990	Cornell	D12/102

FOREIGN PATENT DOCUMENTS

2171365 8/1986 United Kingdom 296/22

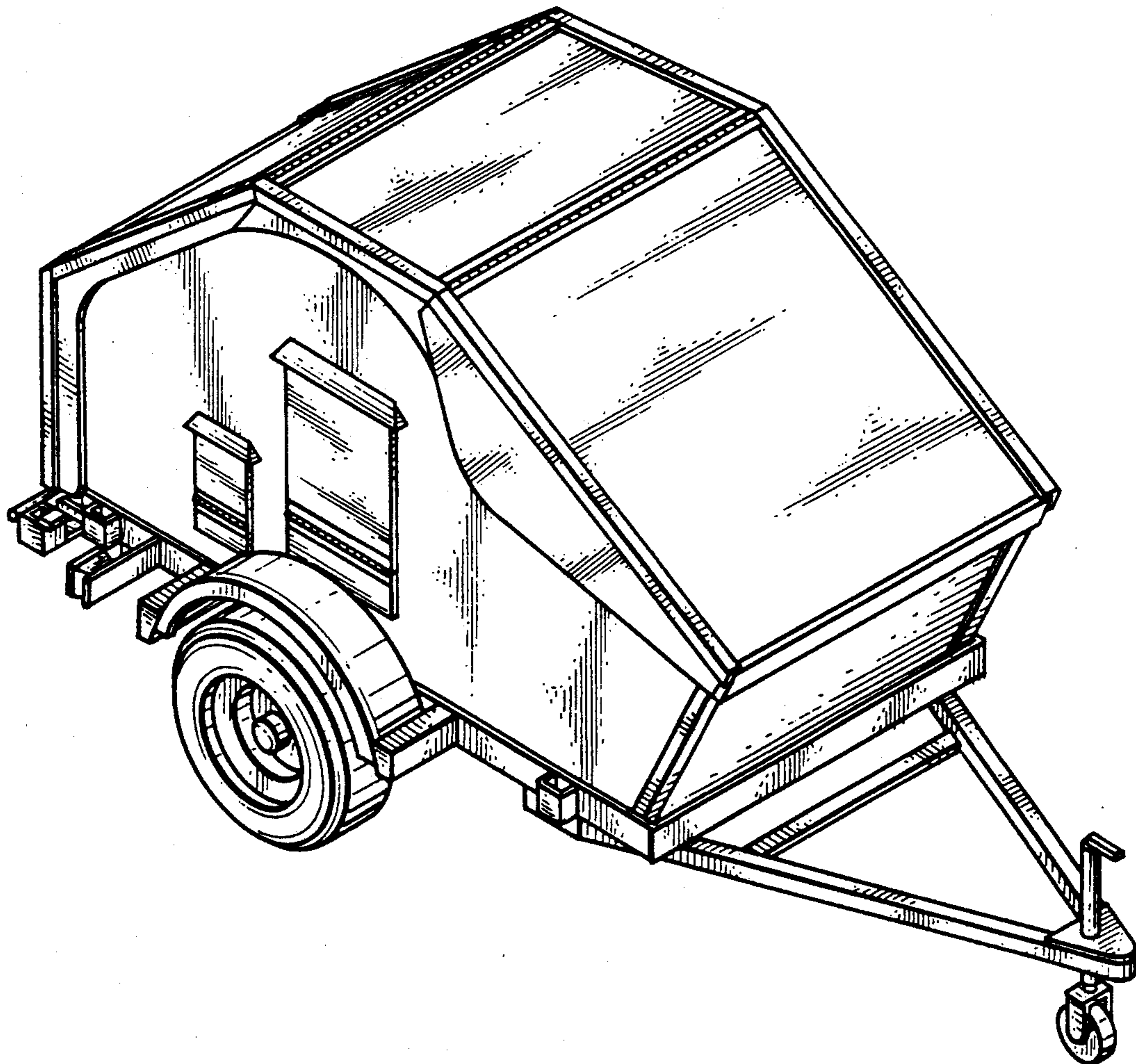
Primary Examiner—James M. Gandy
Assistant Examiner—Melody Brown
Attorney, Agent, or Firm—Kenneth J. Hovet

[57] CLAIM

The ornamental design for a camping trailer, as shown.

DESCRIPTION

FIG. 1 is a front and left side perspective view of a camping trailer showing our new design; FIG. 2 is a rear and right side perspective view thereof; FIG. 3 is a front end elevational view thereof; FIG. 4 is a right side elevational view thereof; FIG. 5 is a rear end elevational view thereof; FIG. 6 is a left side elevational view thereof; FIG. 7 is a top plan view thereof; FIG. 8 is a front and left side perspective view thereof, in open condition; and, FIG. 9 is a rear and right side perspective view thereof, in open condition.



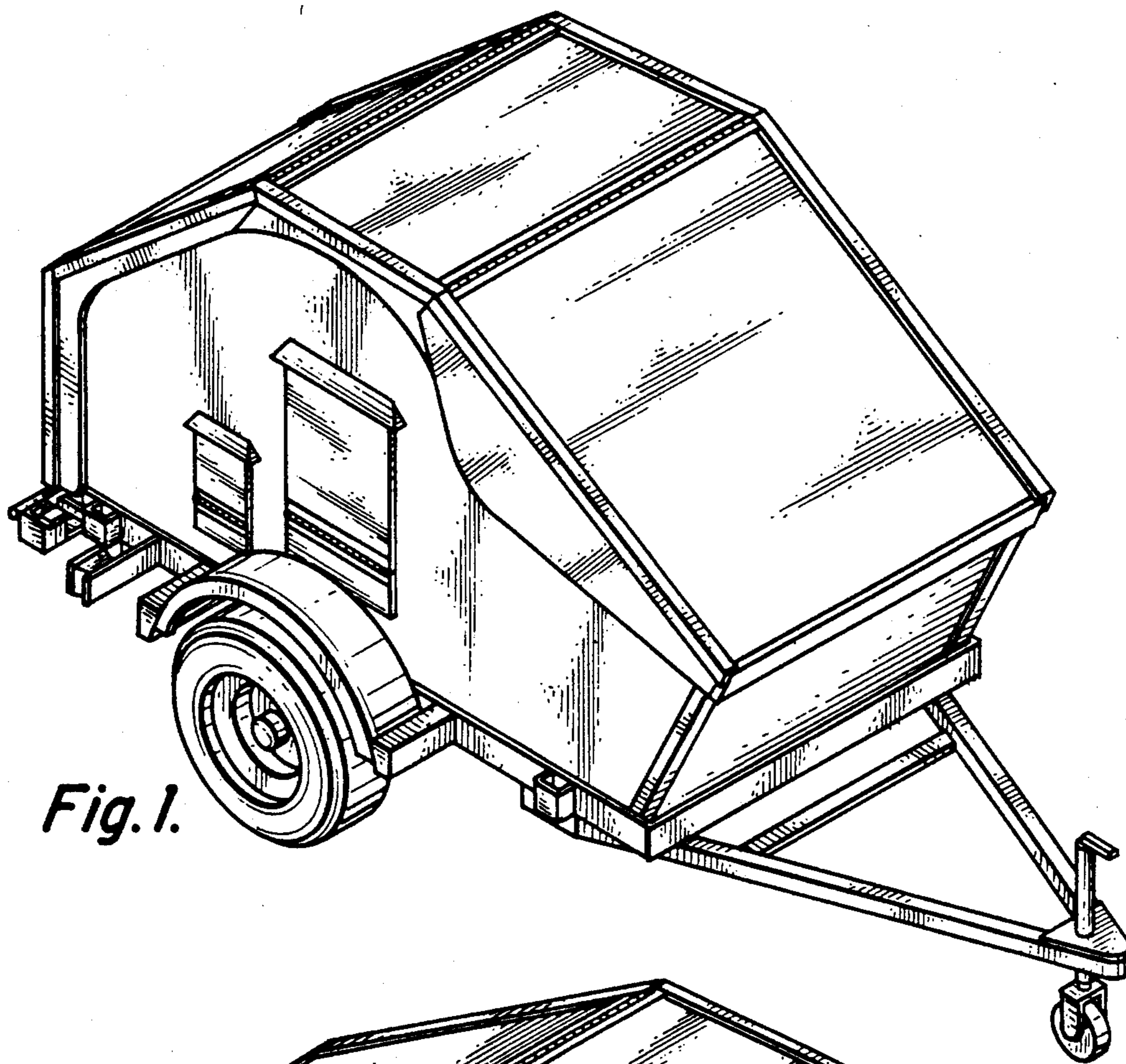


Fig. 1.

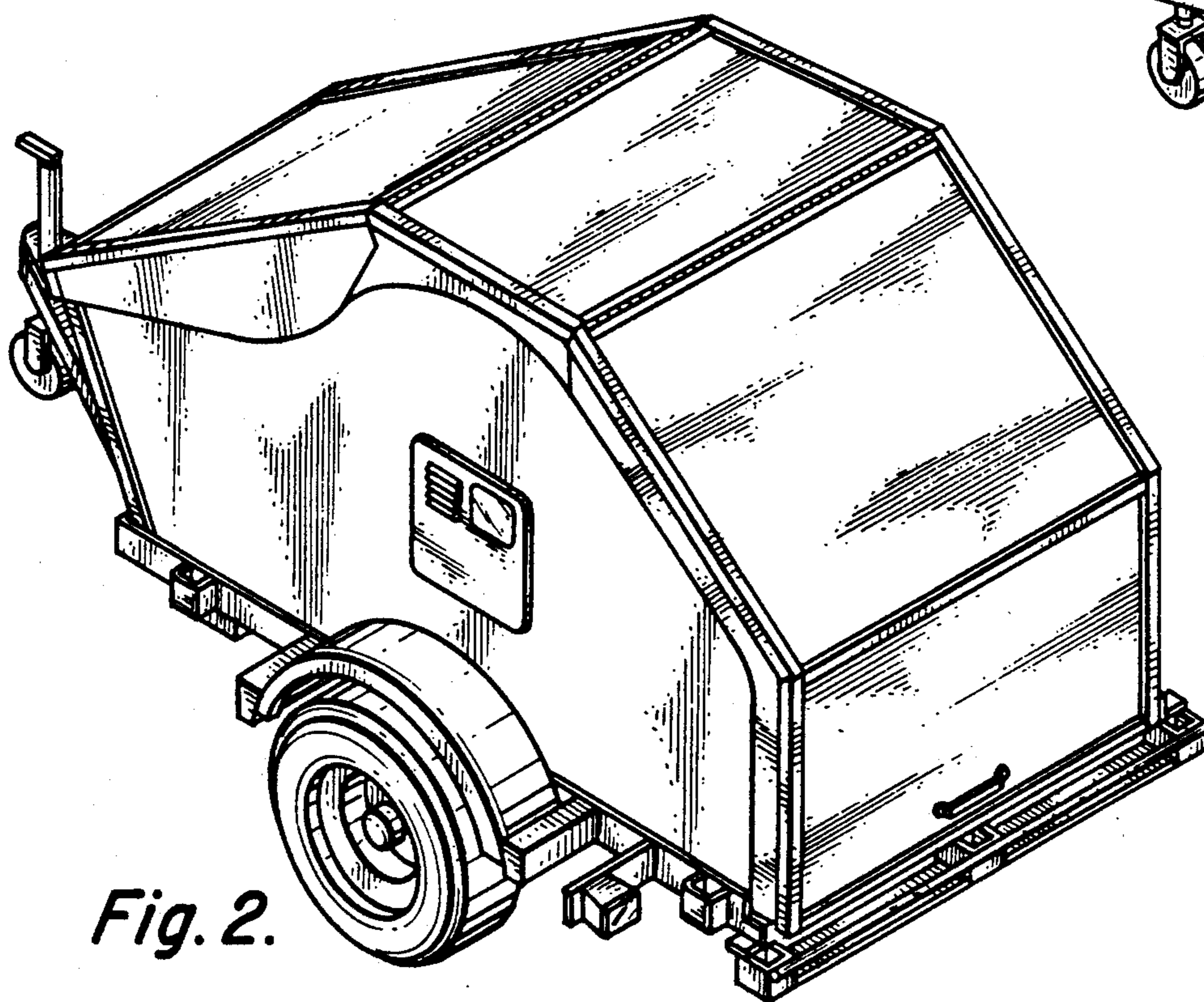


Fig. 2.

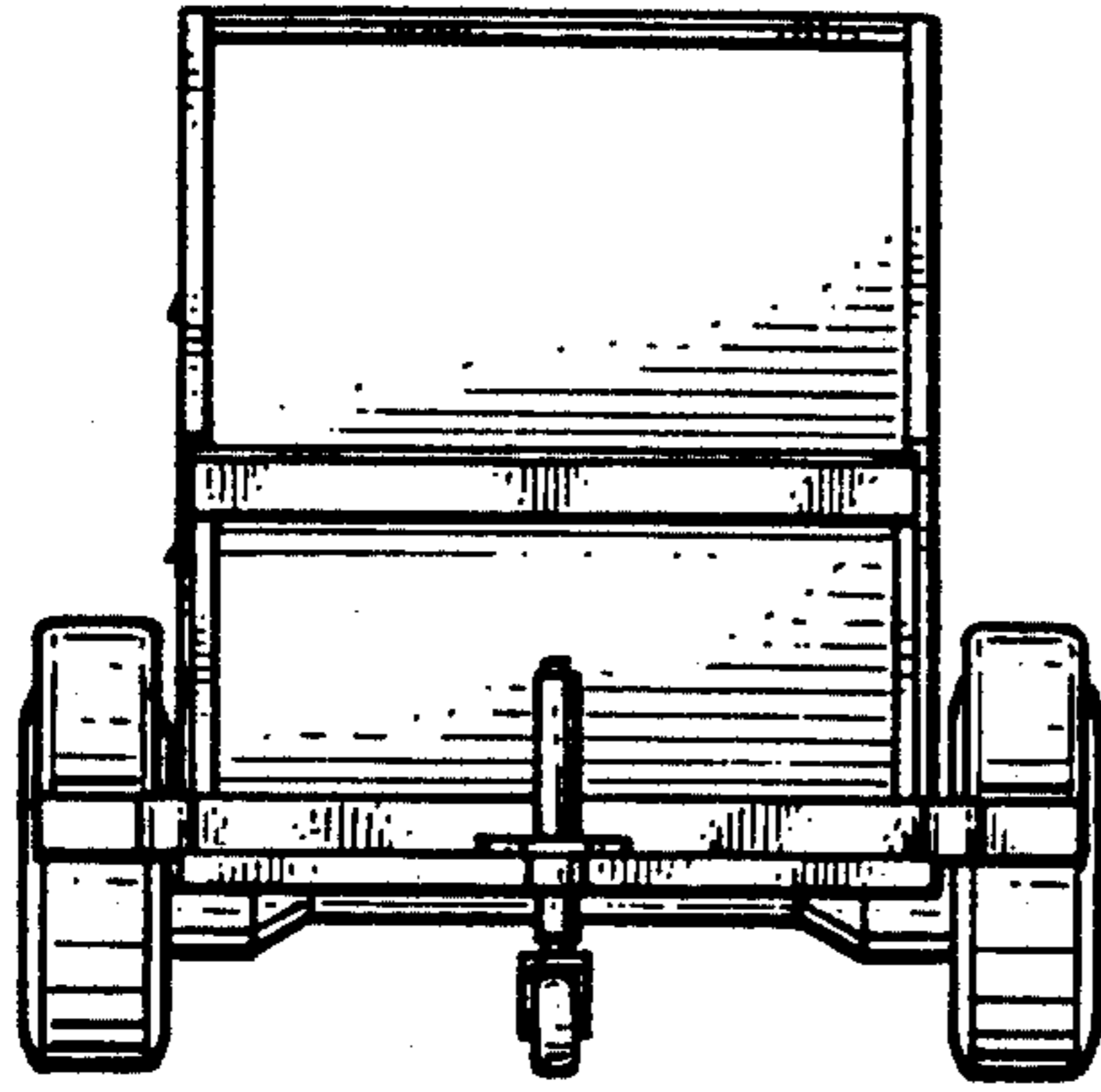


Fig. 3.

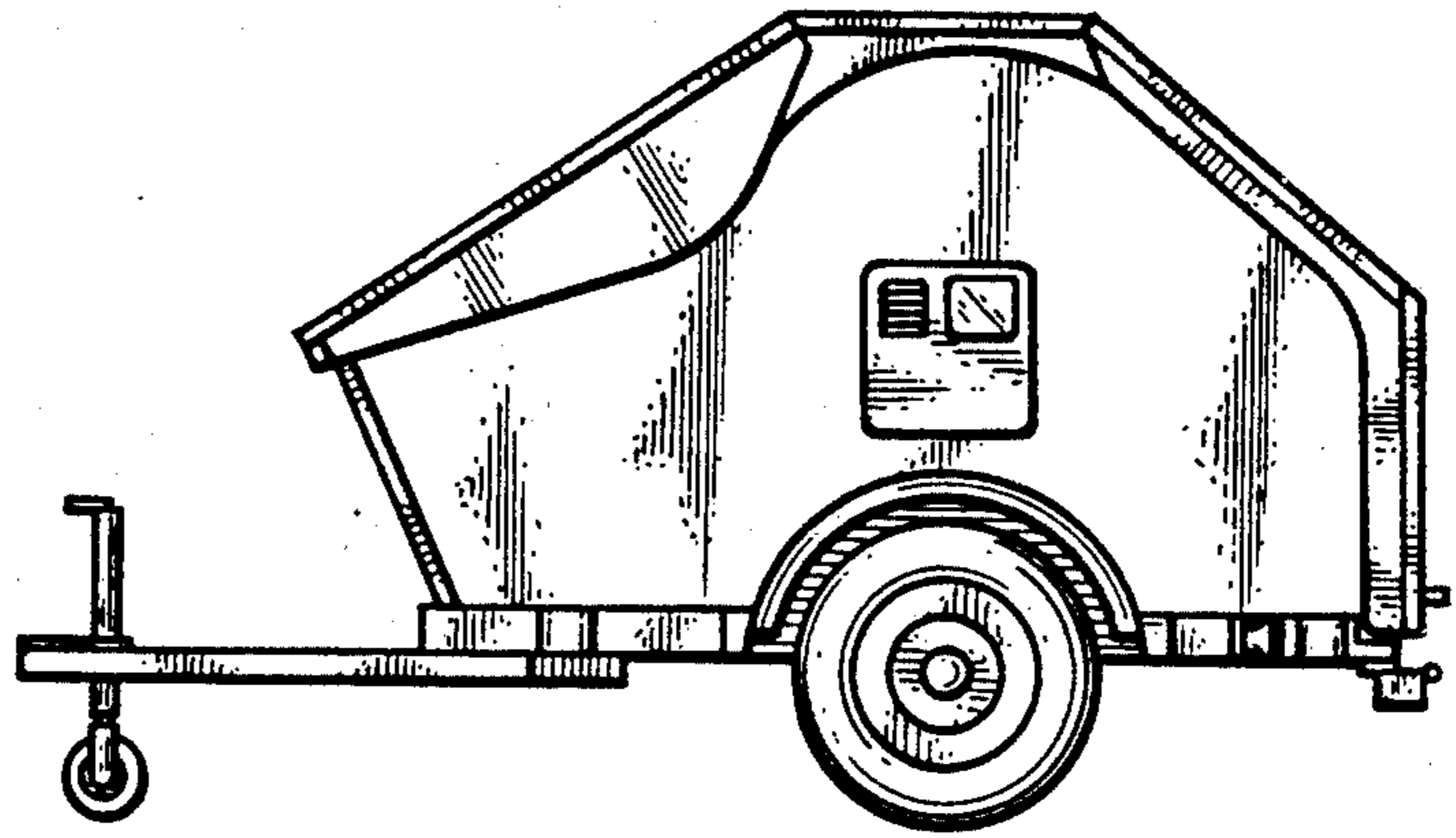


Fig. 4.

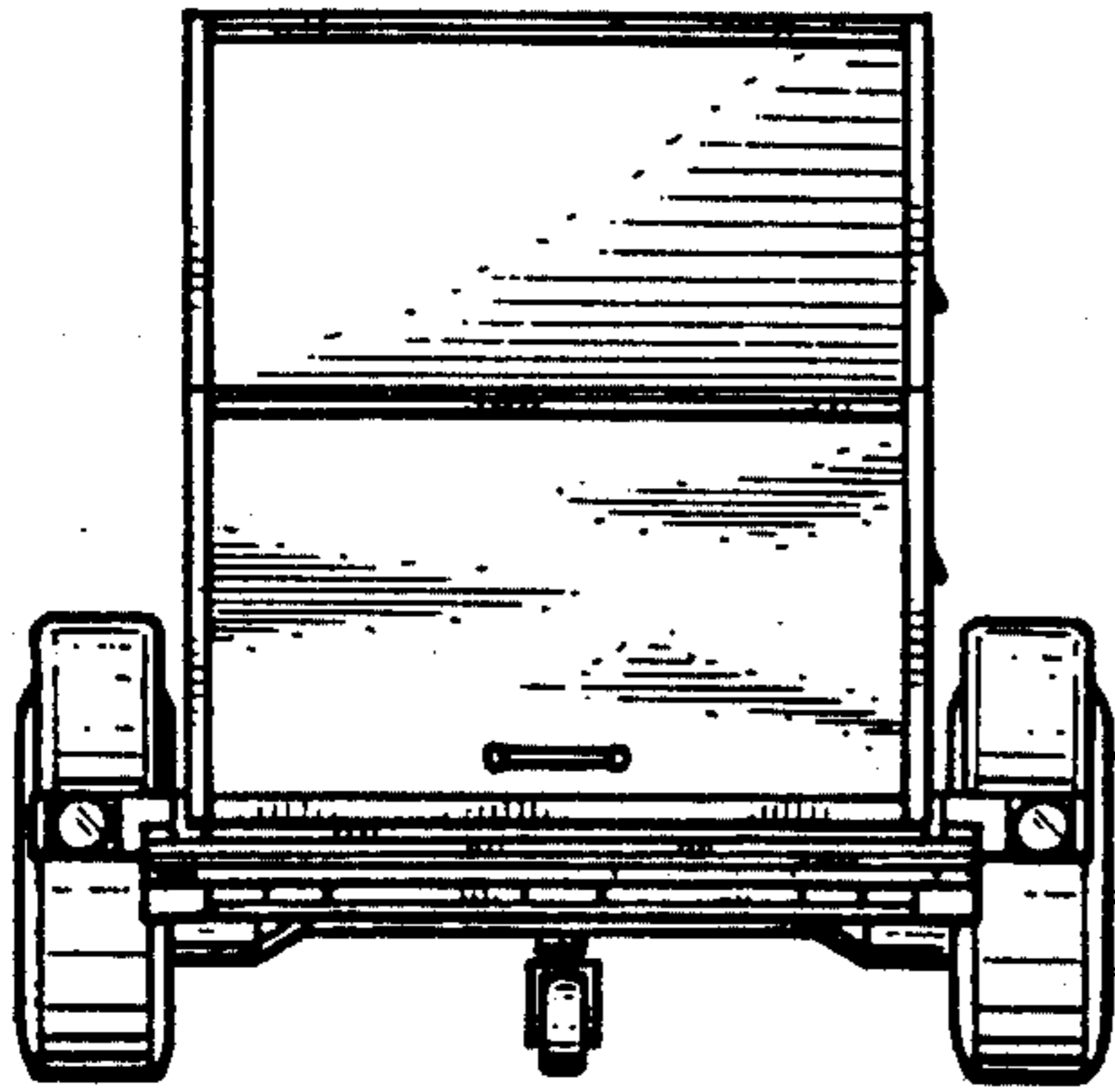


Fig. 5.

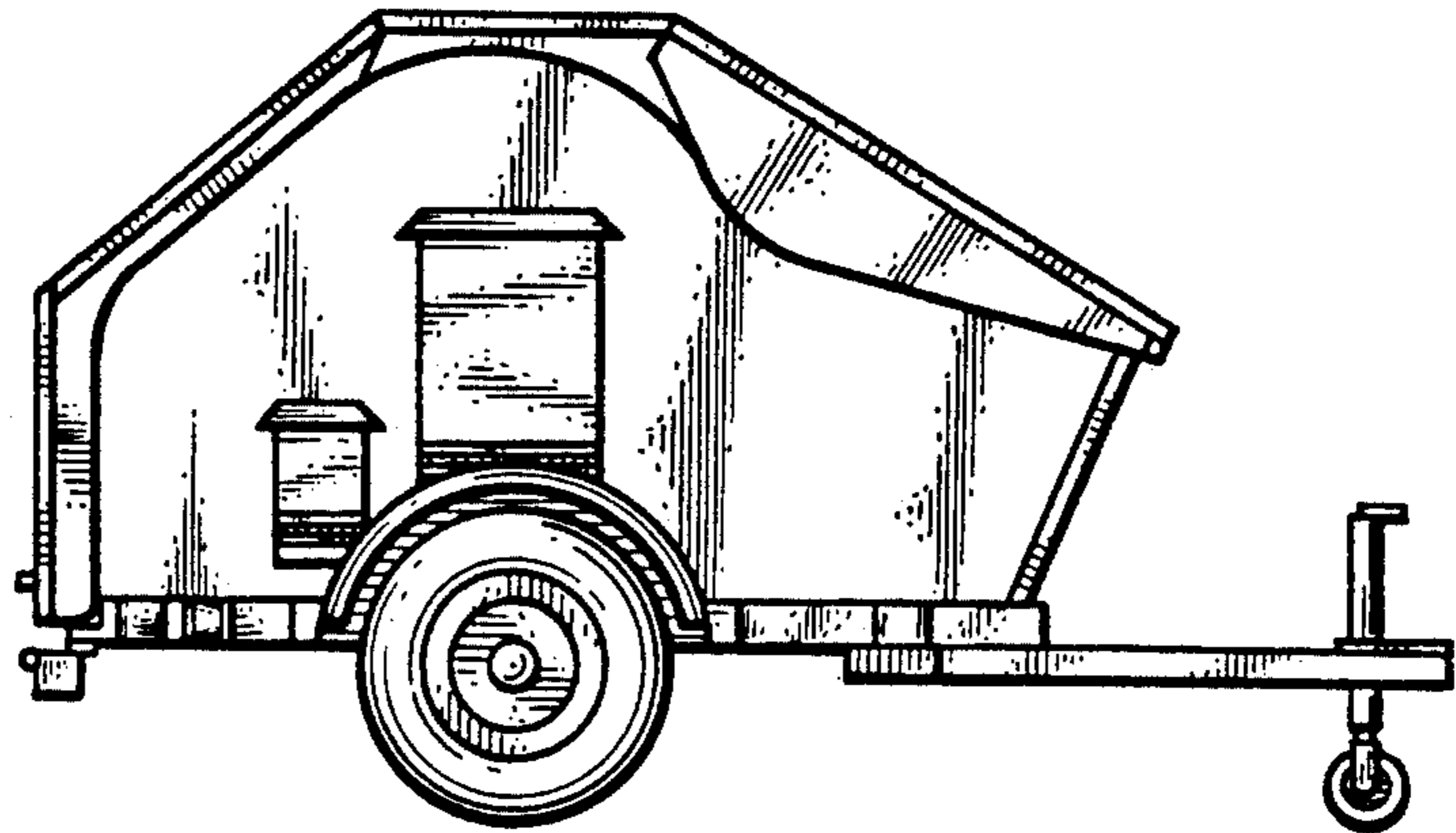


Fig. 6.

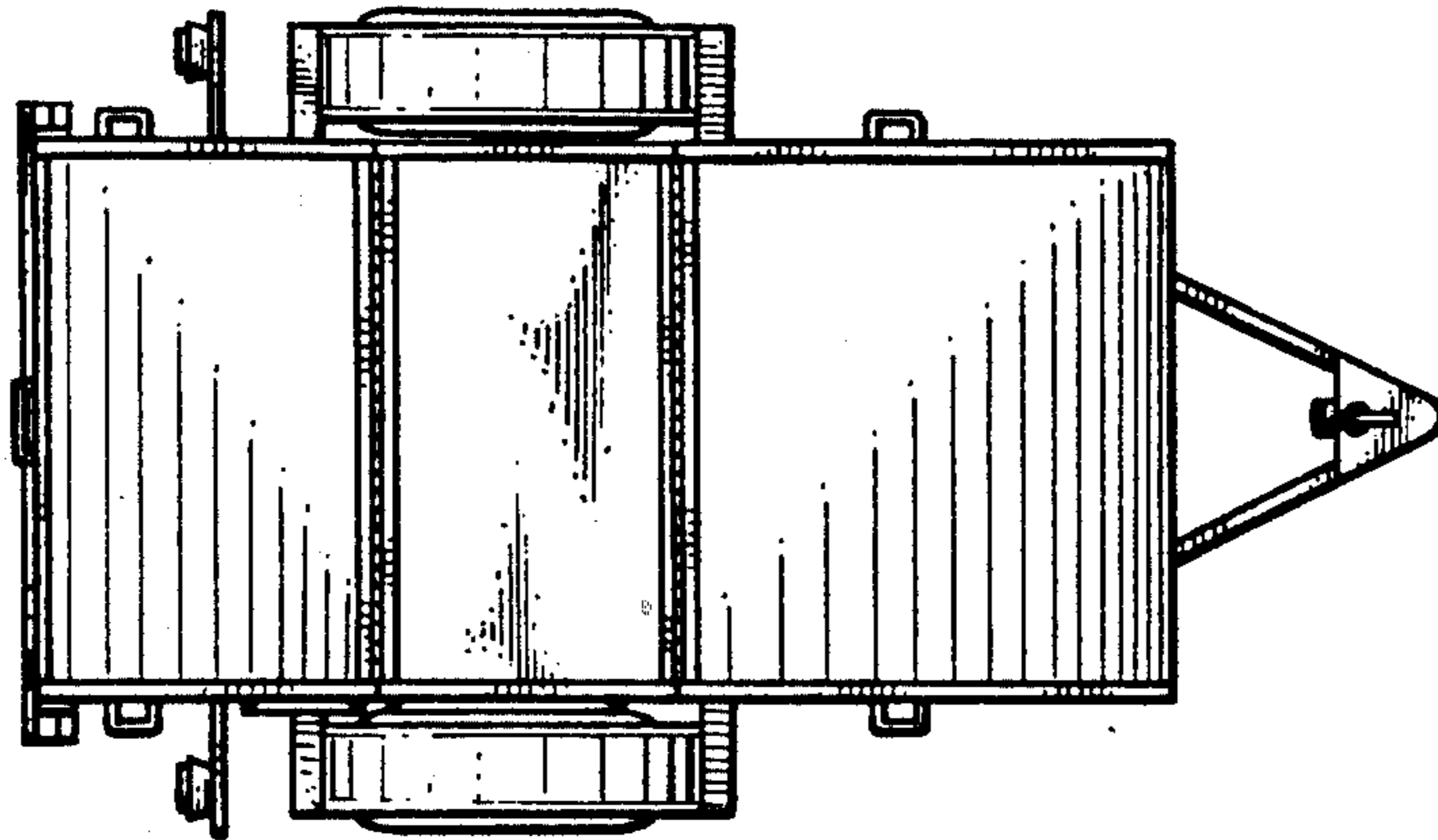


Fig. 7.

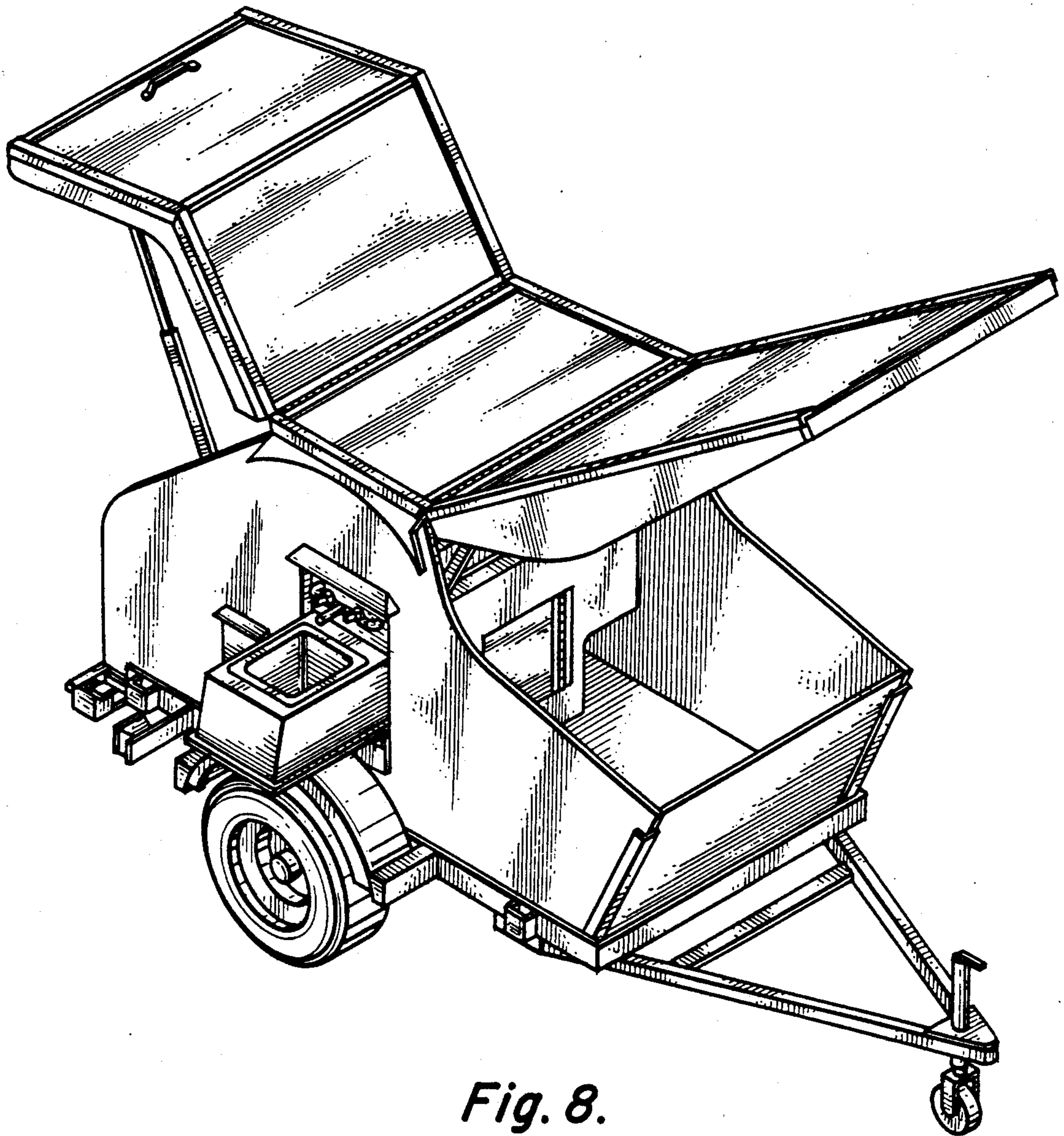


Fig. 8.

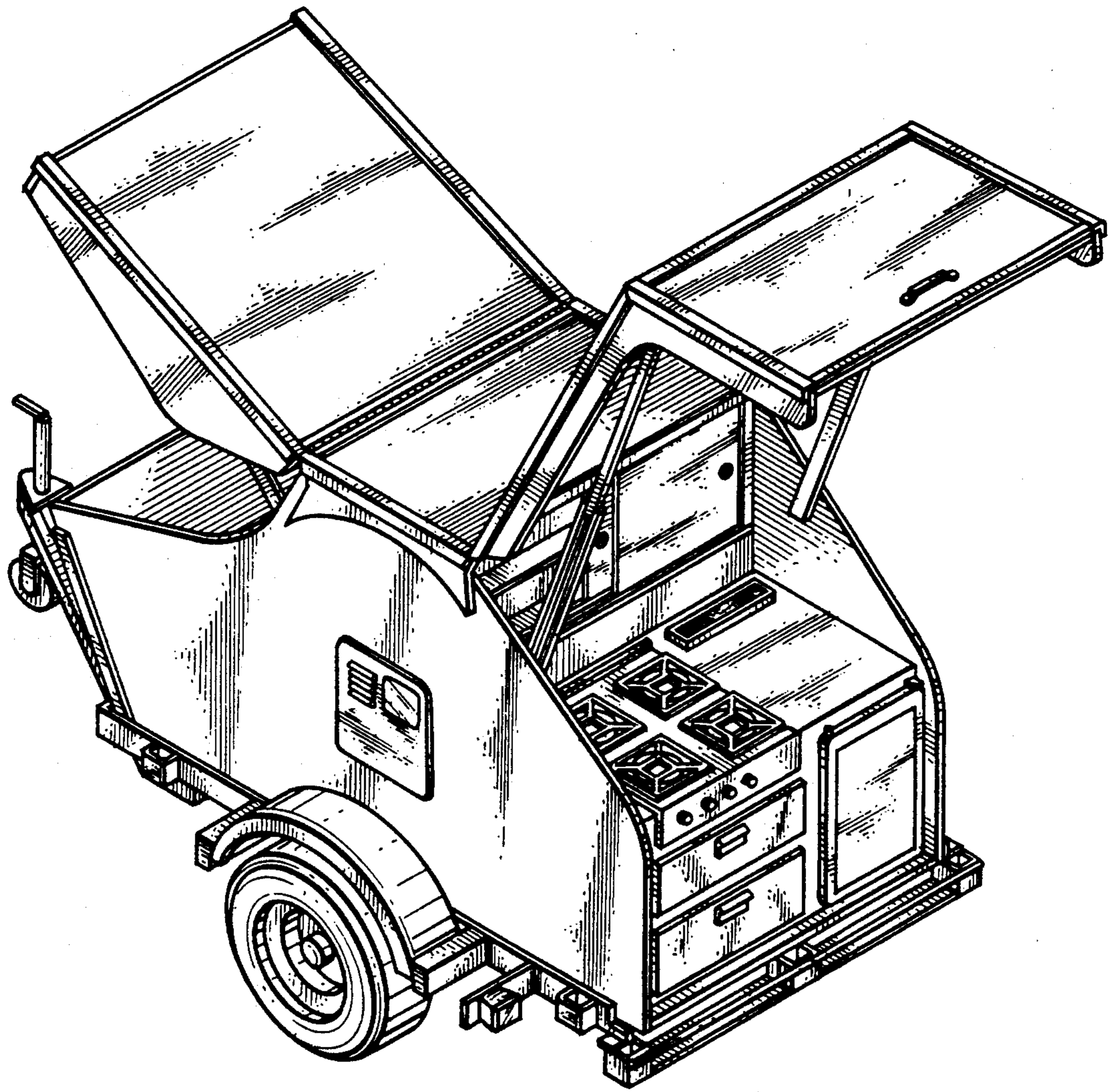


Fig. 9.