



US00D329210S

**United States Patent** [19]  
**Cullmann**

[11] **Patent Number: Des. 329,210**  
[45] **Date of Patent: \*\* Sep. 8, 1992**

[54] **BELT BUCKLE**

[56] **References Cited**

[75] **Inventor: Wolfgang Cullmann, Langenzenn, Fed. Rep. of Germany**  
[73] **Assignee: Cullmann Handelsgesellschaft, Langenzenn, Fed. Rep. of Germany**  
[\*\*] **Term: 14 Years**

**U.S. PATENT DOCUMENTS**

D. 289,622	5/1987	Crowle et al.	D11/216
D. 296,310	6/1988	Crowle	D11/216
D. 303,233	9/1989	Jang	D11/216
D. 312,430	11/1990	Crowle	D11/216
D. 312,986	12/1990	Bianchi	D11/216
3,100,608	8/1963	Goldfarb	D11/201
3,246,377	4/1966	Brown	24/646
3,496,615	2/1970	Krengel	24/650
4,377,888	3/1983	Ikeme	D11/216
4,802,262	2/1989	Kasai	24/633
4,866,819	9/1989	Kasai	24/633

[21] **Appl. No.: 489,595**  
[22] **Filed: Mar. 6, 1990**

*Primary Examiner*—James R. Largen  
*Assistant Examiner*—R. Seifert

[30] **Foreign Application Priority Data**  
Sep. 18, 1989 [DE] Fed. Rep. of Germany ..... M8906561.1  
[52] **U.S. Cl.** ..... **D11/216**  
[58] **Field of Search** ..... D11/12, 200, 201, 208, D11/216, 220, 236, 237, 218, 210, 231, 217, 219, 232; 24/307-314, 323, 646, 650, 170, 68 SK, 68 CD, 198, 196, 193 R, 163 K, 191-193, 176, 200, 615, 633, 606; D8/382-383, 356; D30/138-141

[57] **CLAIM**

The ornamental design for a belt buckle, as shown and described.

**DESCRIPTION**

FIG. 1 is a perspective view of a belt buckle showing my new design;  
FIG. 2 is a perspective view, shown in an open position;  
FIG. 3 is a front elevational view of FIG. 1;  
FIG. 4 is a side elevational view of FIG. 1;  
FIG. 5 is a rear elevational view of FIG. 1; and,  
FIG. 6 is a top plan view of FIG. 1.

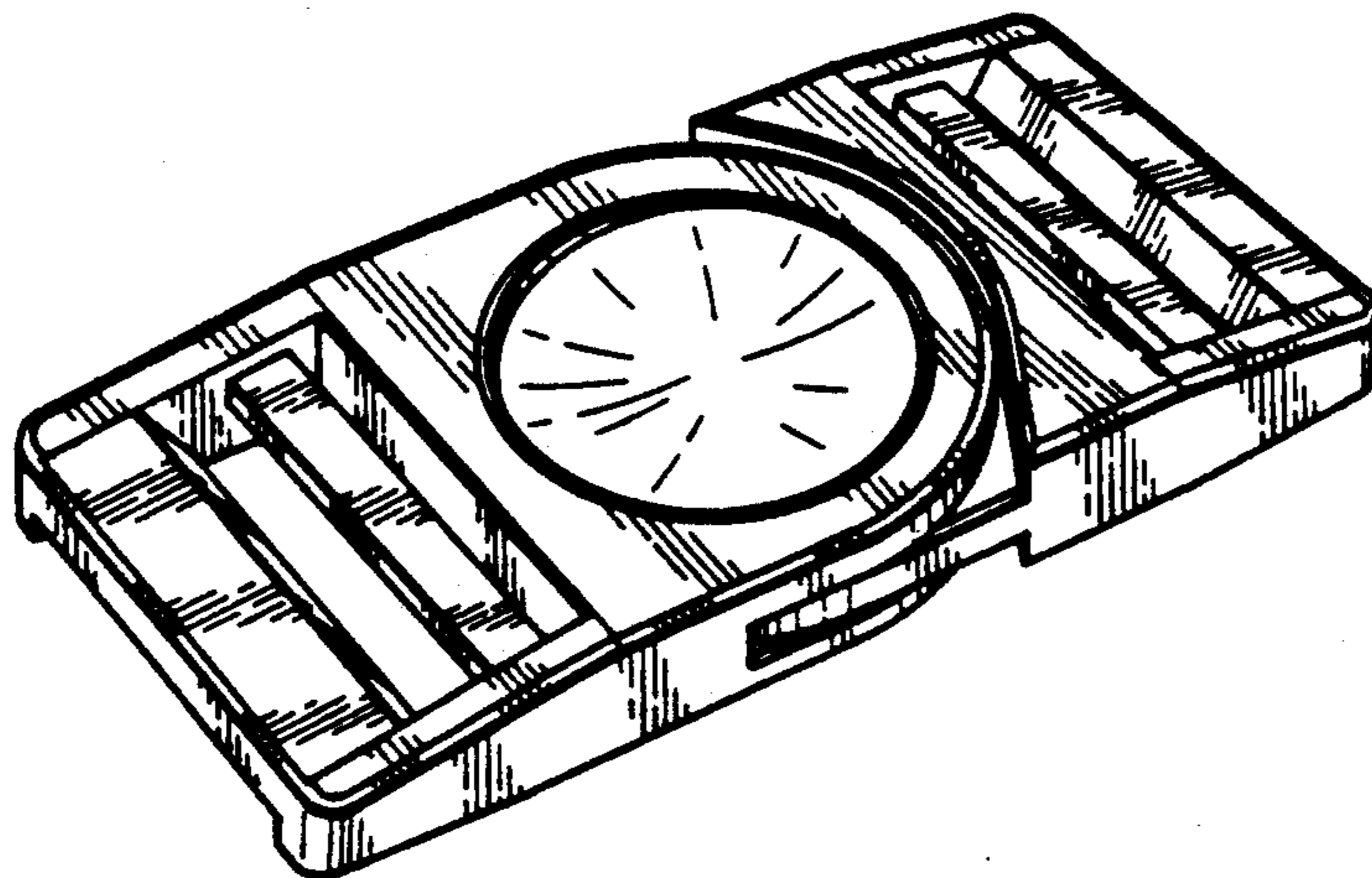


FIG. 1

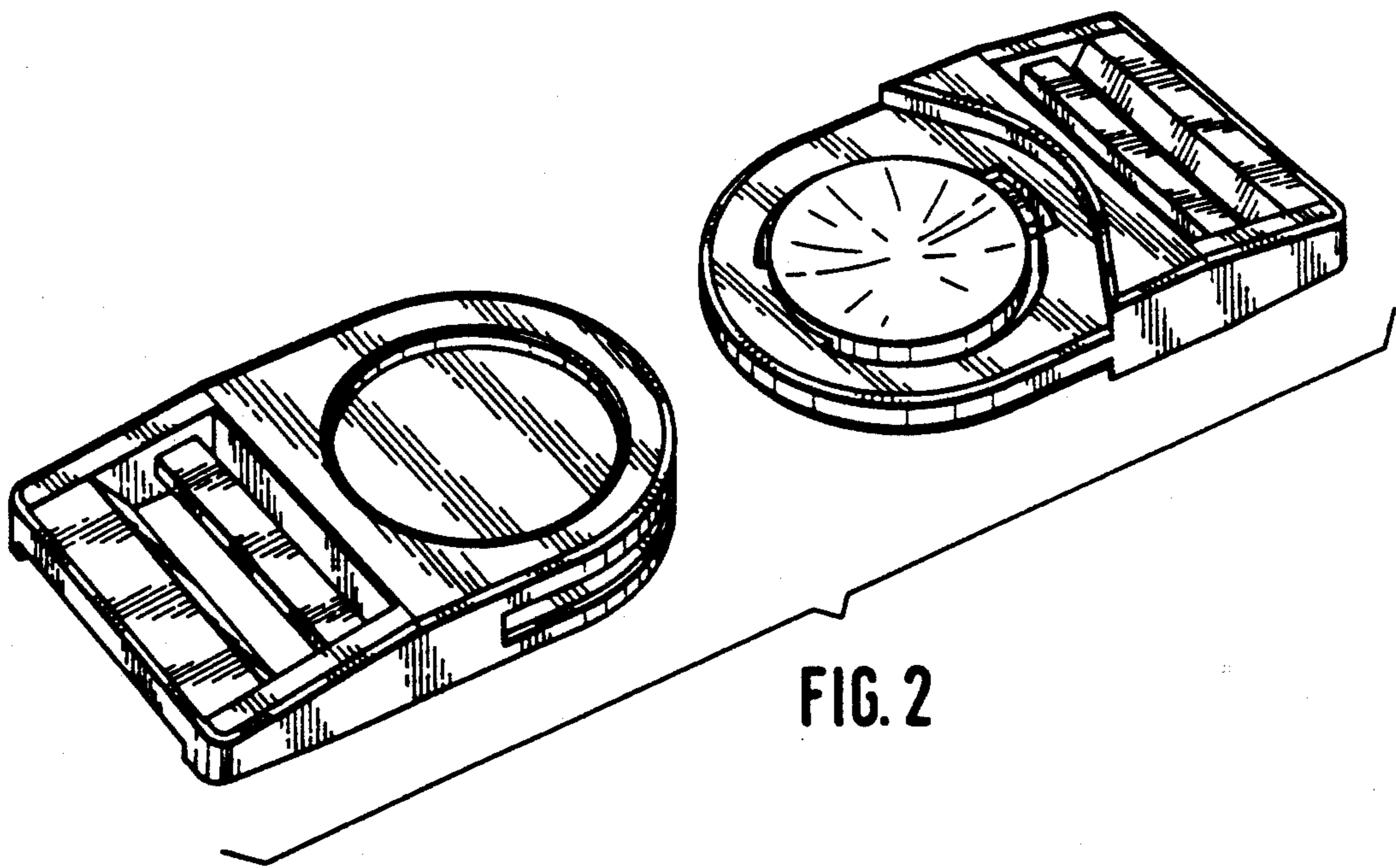
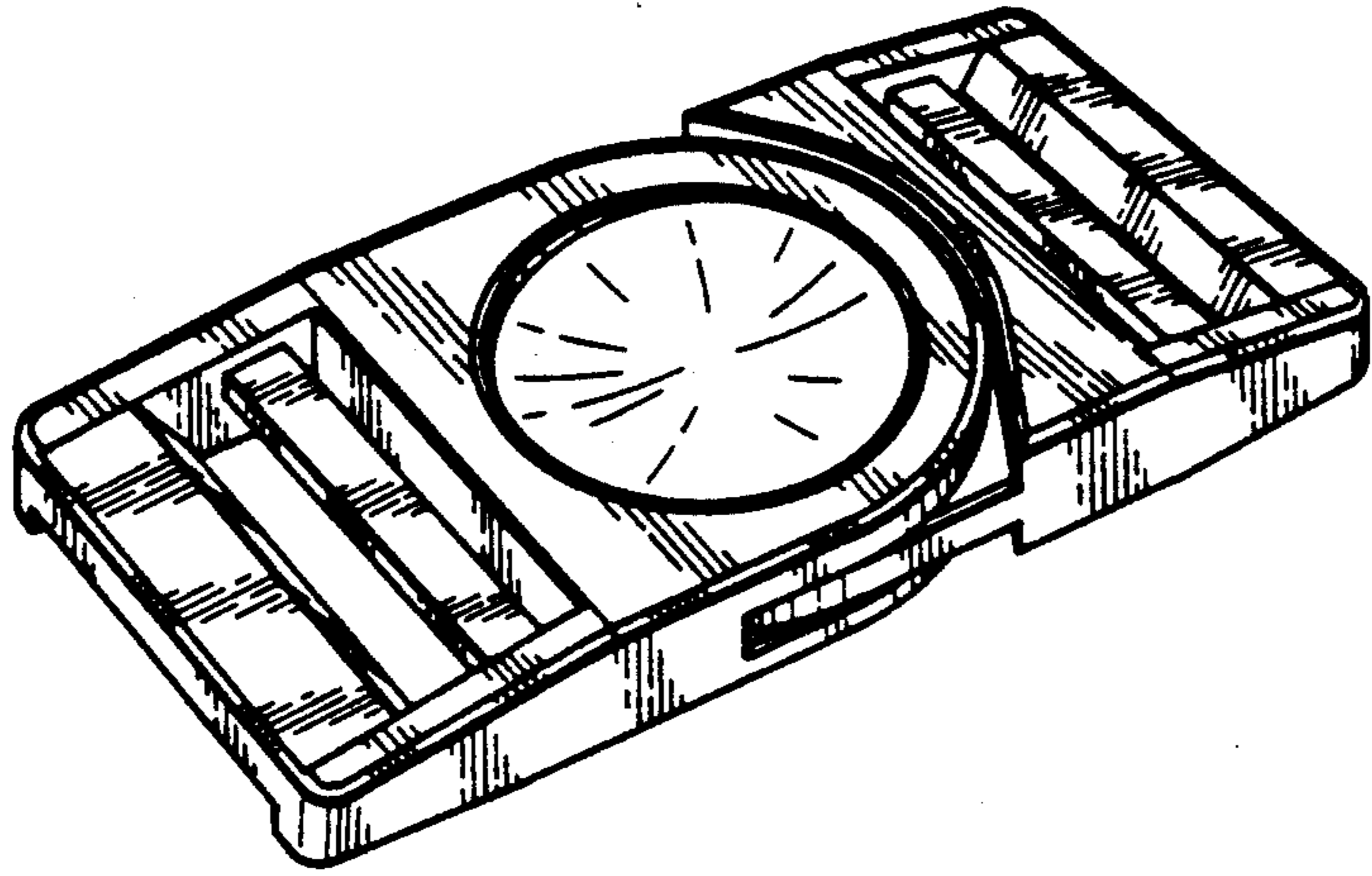


FIG. 2

FIG. 3

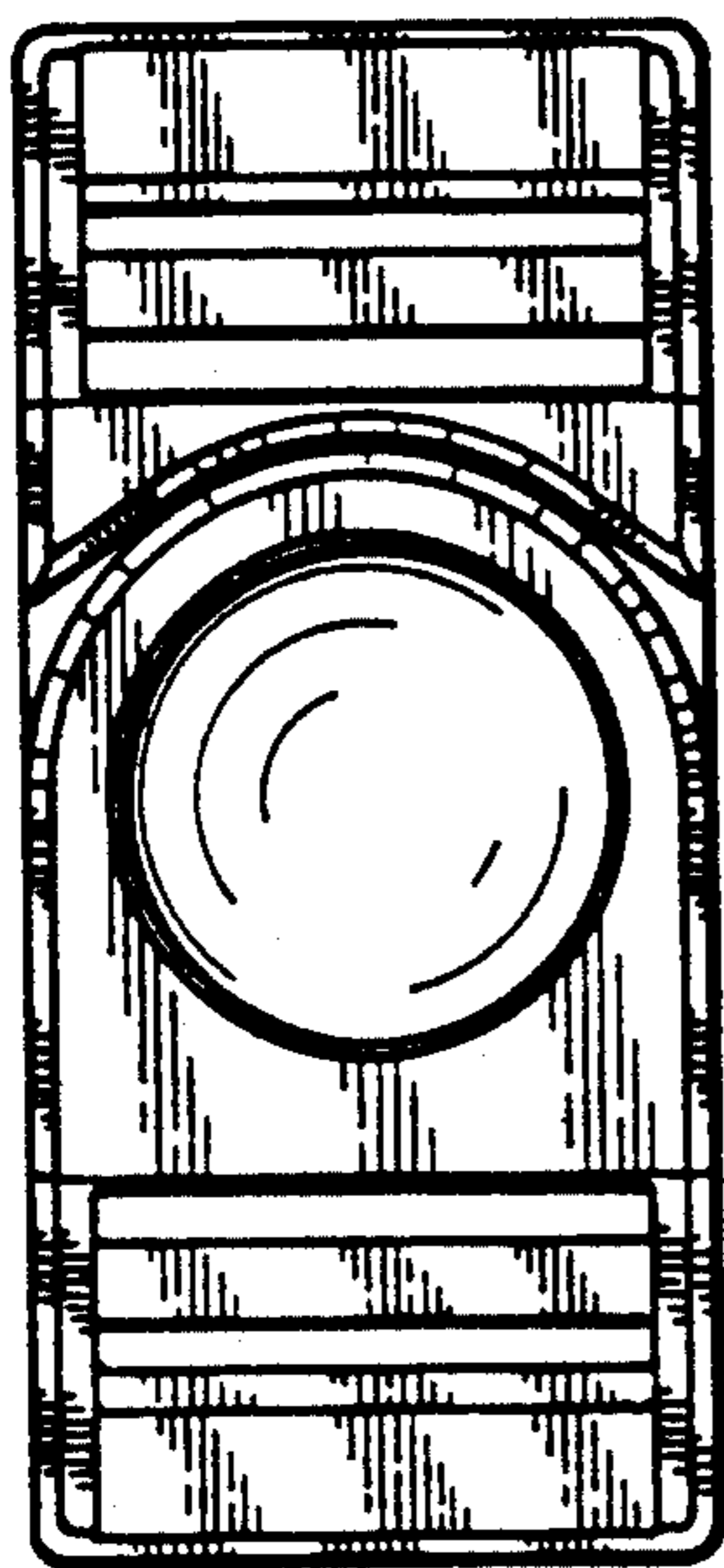


FIG. 4

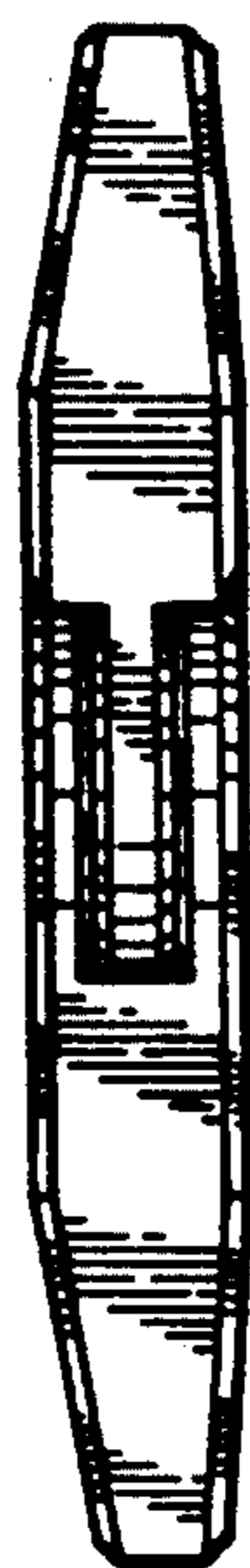


FIG. 5

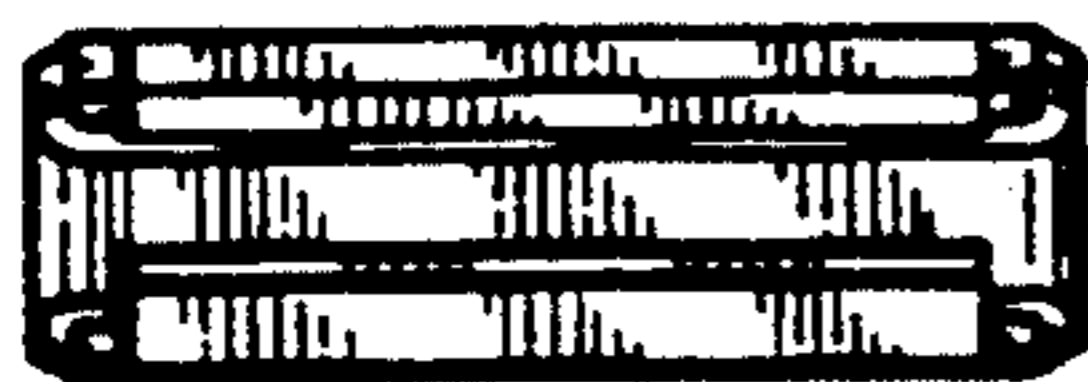
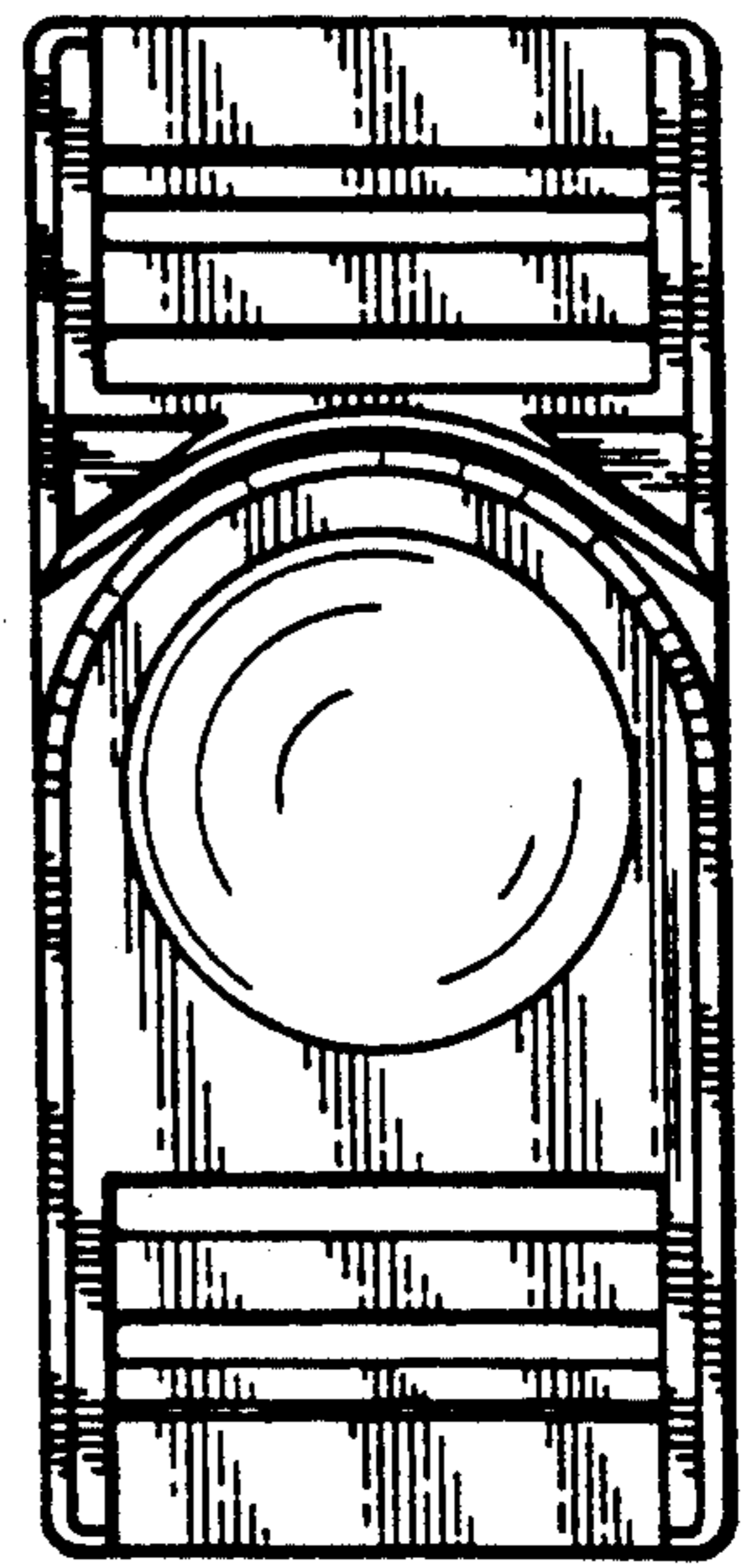


FIG. 6