



US00D329208S

United States Patent [19]

Bowling et al.

[11] Patent Number: **Des. 329,208**

[45] Date of Patent: **** Sep. 8, 1992**

[54] **TREE STAND**

[76] Inventors: **Floyd I. Bowling, Rte. One; Floyd S. Bowling, Jr., Spruce Ridge Dr., both of Bear Lake, Mich. 49614**

[**] Term: **14 Years**

[21] Appl. No.: **594,649**

[22] Filed: **Oct. 9, 1990**

[52] U.S. Cl. **D11/130.1**

[58] Field of Search **D11/130.1; 47/40.5; 248/519**

[56] **References Cited**

U.S. PATENT DOCUMENTS

D. 178,974	10/1956	Schulz	D11/130.1
D. 318,634	7/1991	Tohiri	D11/130.1
2,516,802	7/1950	Richards et al.	D11/130.1 X
2,903,212	9/1959	Scanland	47/40.5 X
3,142,464	7/1964	Zelenitz	47/40.5
3,329,380	7/1967	Graves et al.	47/40.5
3,838,838	10/1974	Seaman, Jr.	D11/130.1 X
4,571,882	2/1986	Capen	47/405

Primary Examiner—Bernard Ansher
Assistant Examiner—Dominic Simone

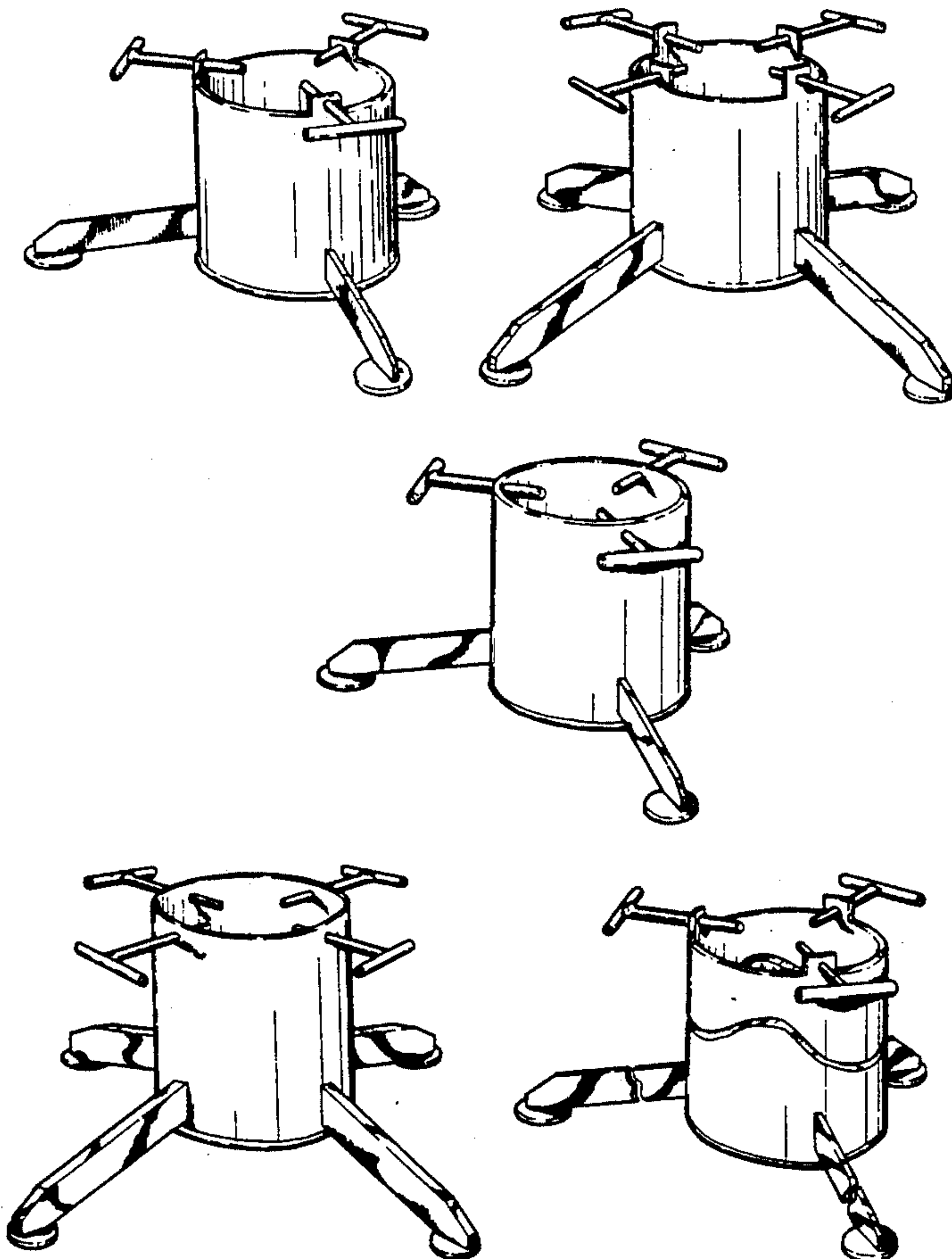
Attorney, Agent, or Firm—Warner, Norcross & Judd

[57] **CLAIM**

The ornamental design for a tree stand, as shown and described.

DESCRIPTION

FIG. 1 is a perspective view of a tree stand showing our new design;
 FIG. 2 is a front elevational view thereof;
 FIG. 3 is a top plan view thereof;
 FIG. 4 is a rear elevational view thereof;
 FIG. 5 is a bottom plan view thereof;
 FIG. 6 is a side elevational view thereof, the opposite side being a mirror image;
 FIG. 7 is a perspective view of a second embodiment of FIG. 1, the only difference being an additional leg, bail ear and bolt;
 FIG. 8 is a perspective view of a third embodiment of FIG. 1, the only difference being the removal of the bail ears;
 FIG. 9 is a perspective view of a fourth embodiment of FIG. 1, the only difference being the elimination of the bail ears and an additional bolt and leg; and,
 FIG. 10 is a perspective view of a fifth embodiment of FIG. 1, the only difference being the figure is broken to show indeterminate length.



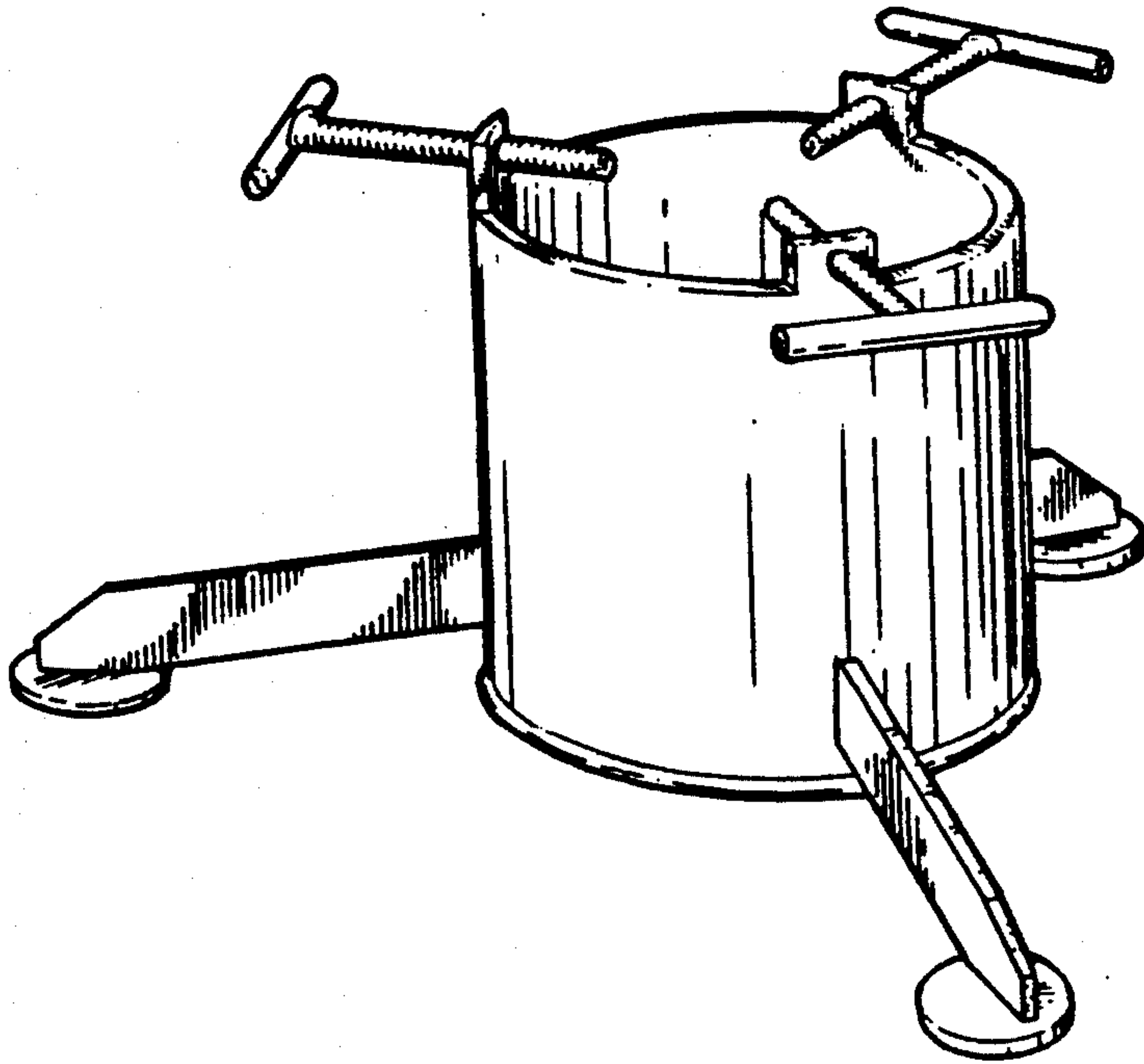


FIG. 1

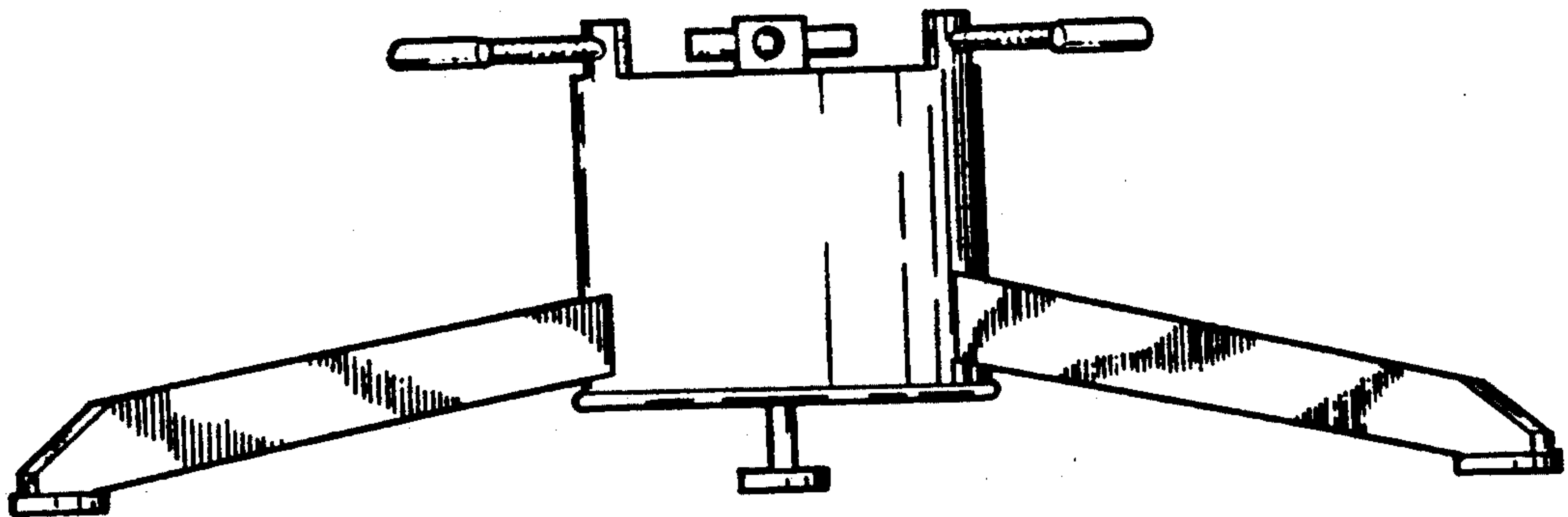


FIG. 2

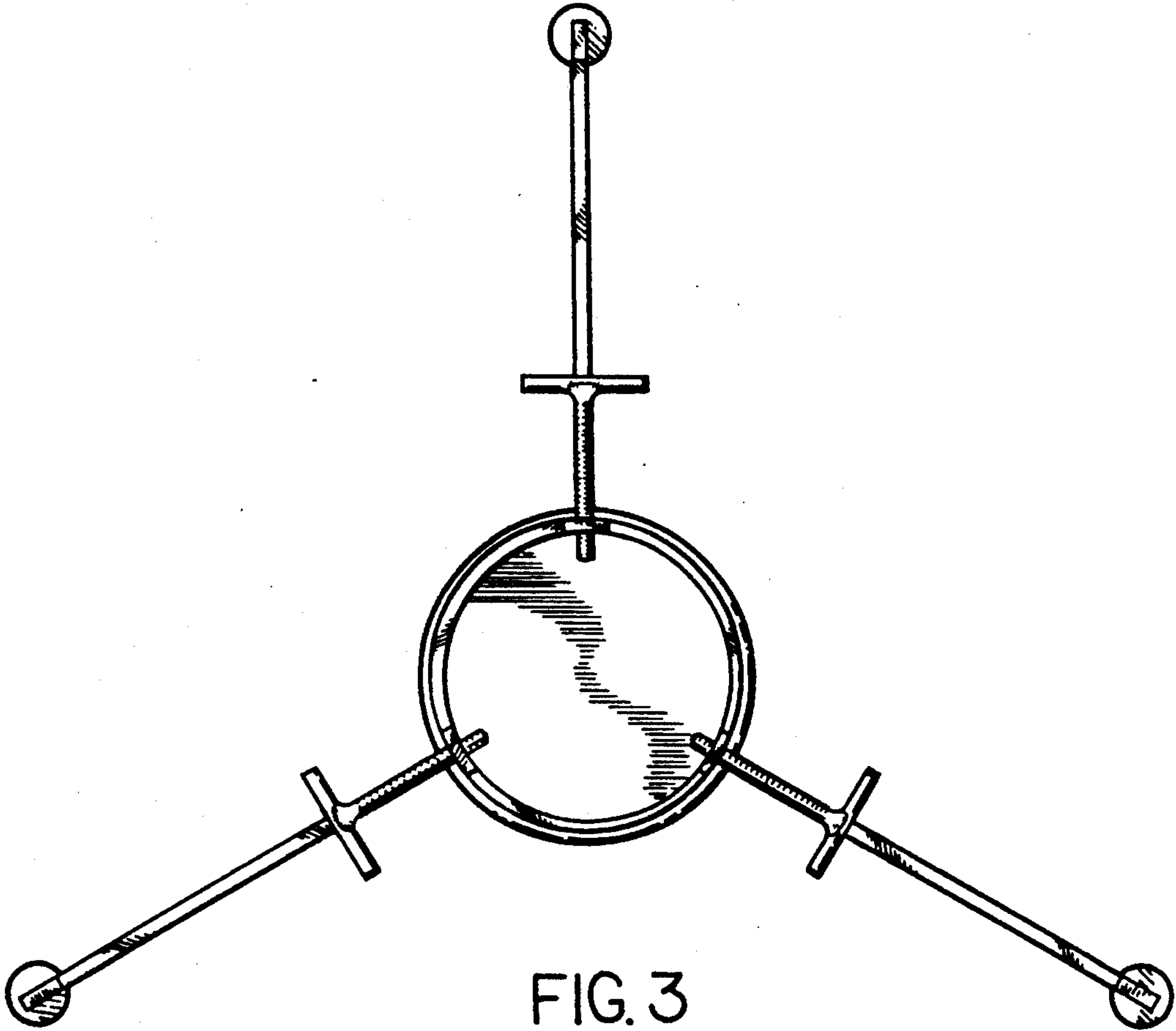


FIG. 3

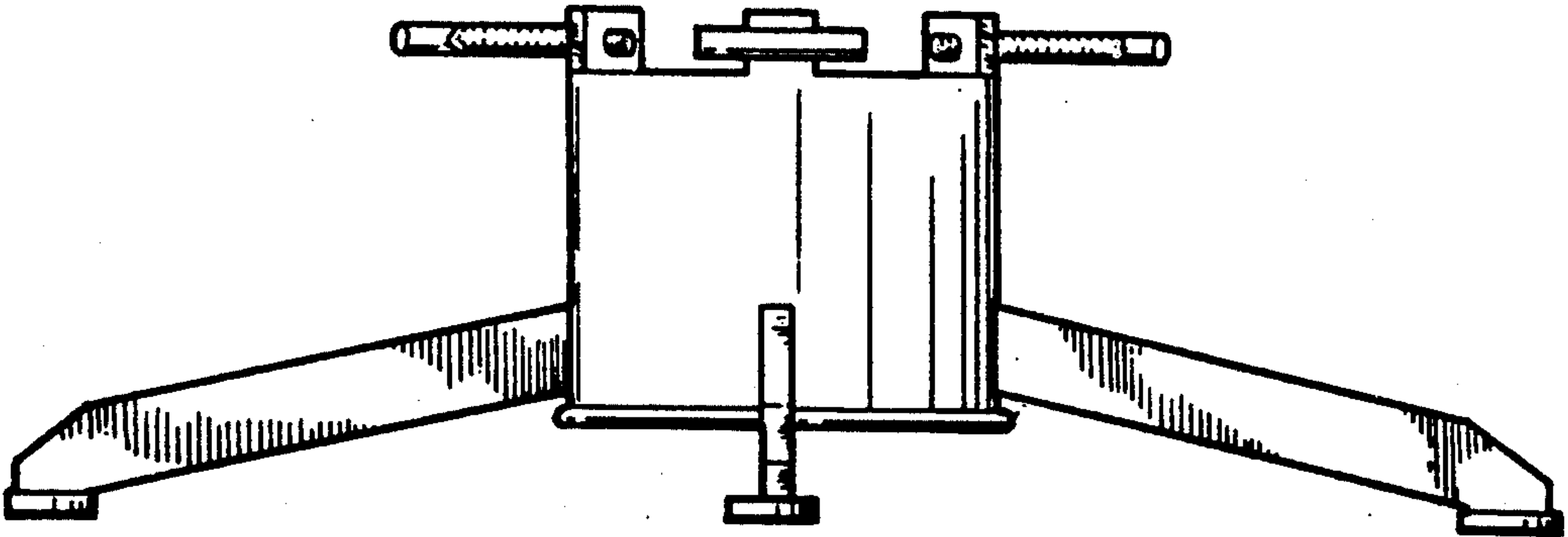


FIG. 4

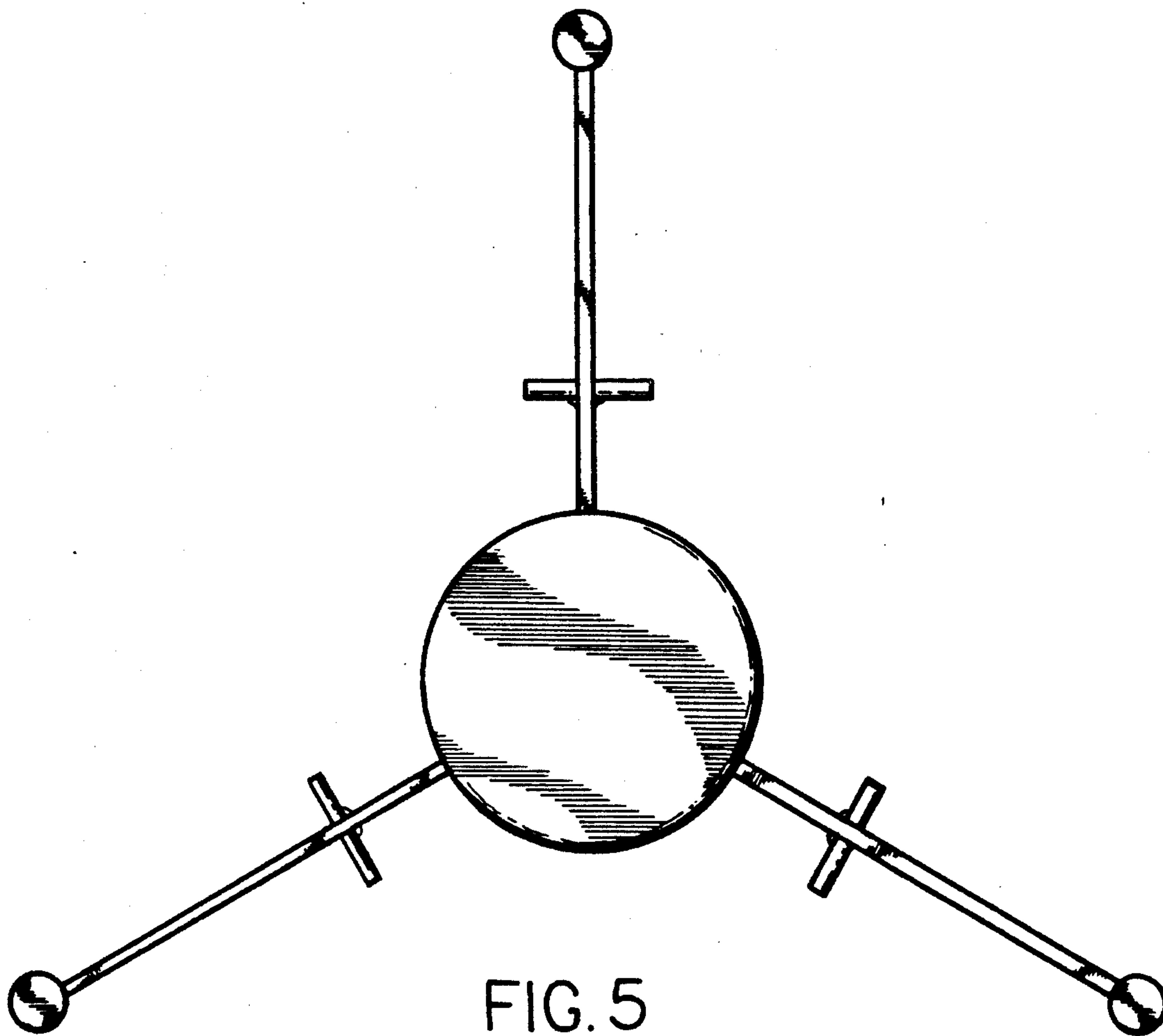


FIG. 5

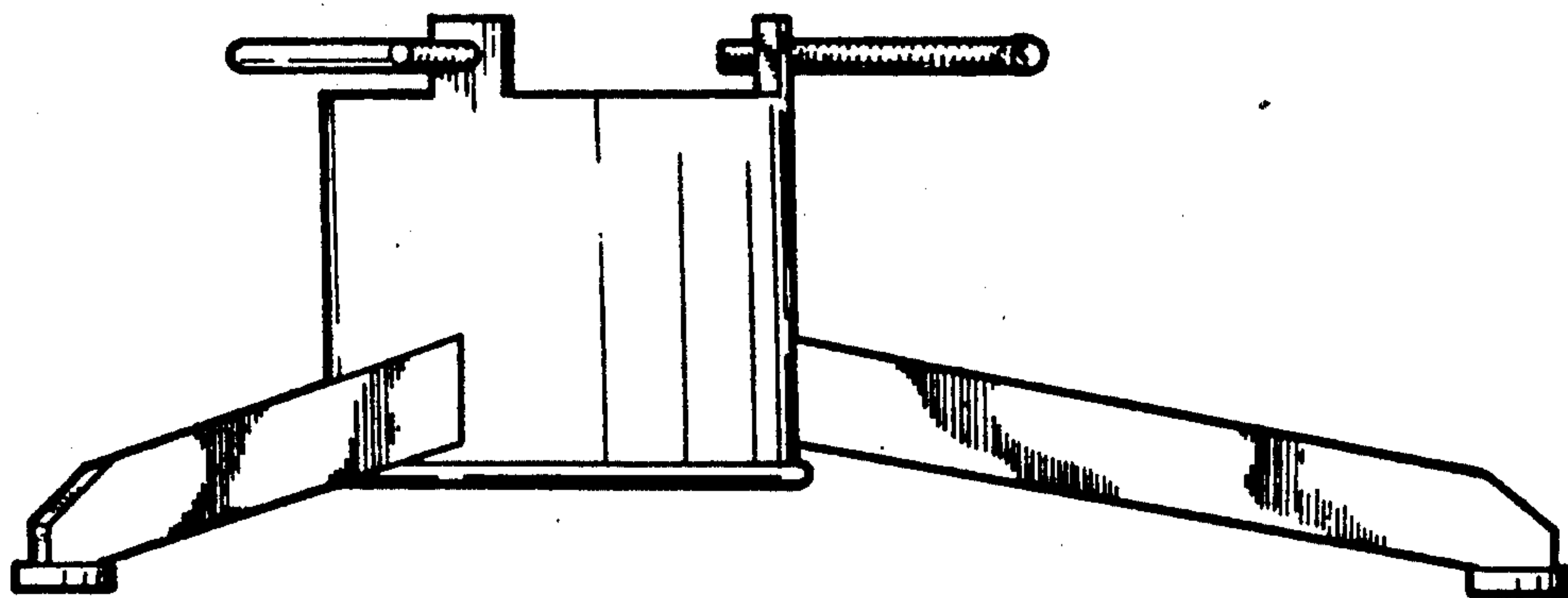


FIG. 6

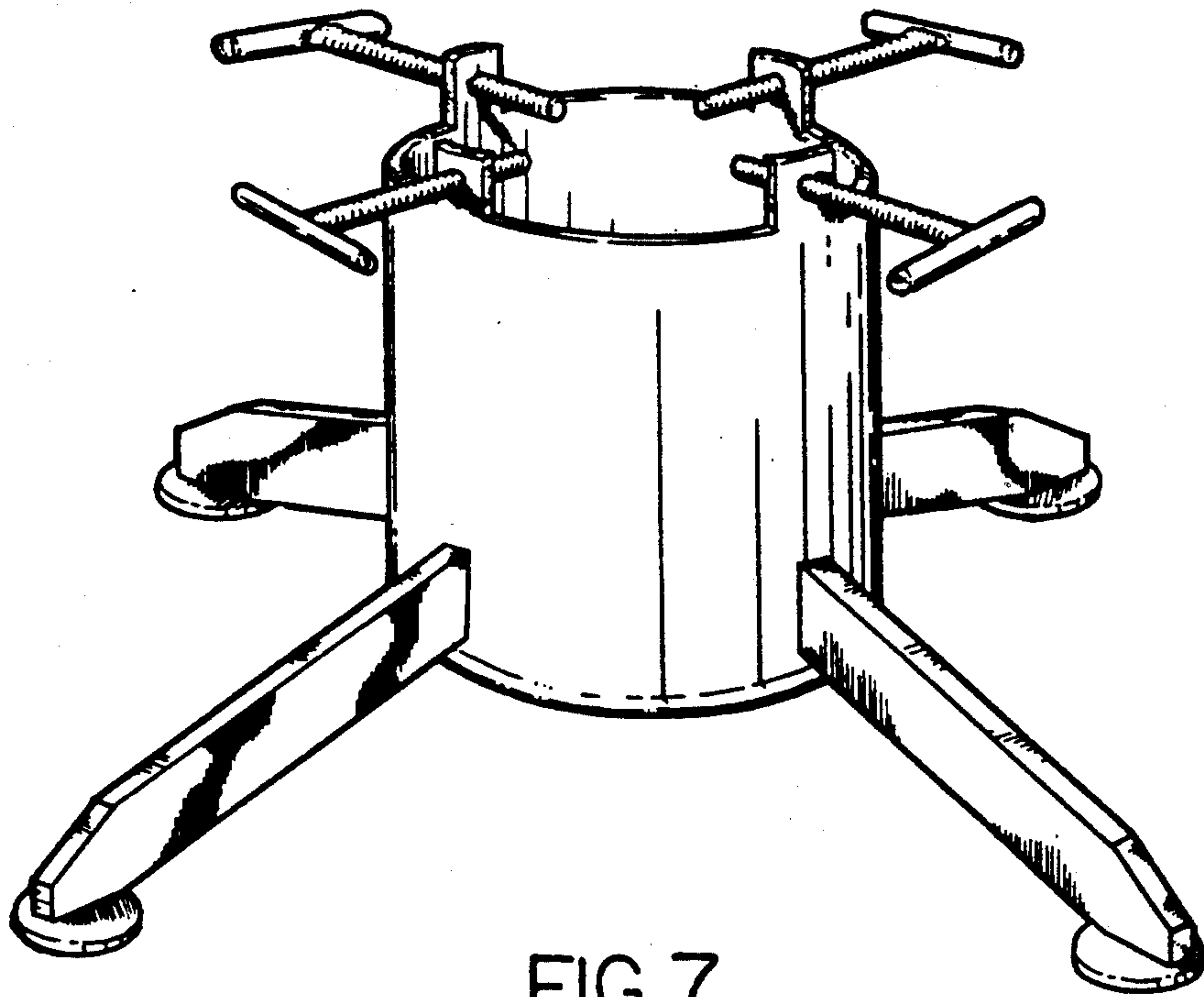


FIG. 7

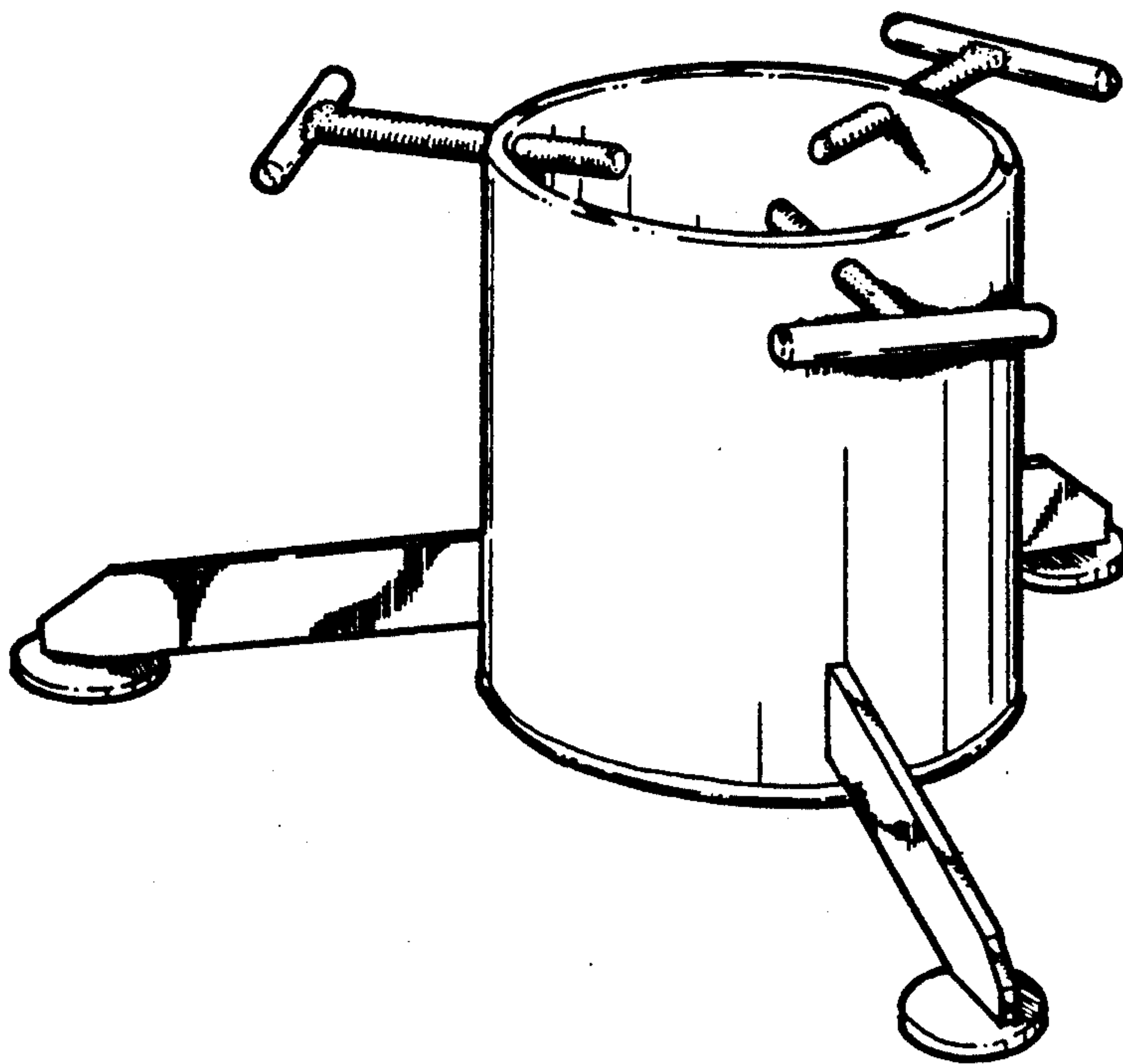


FIG. 8

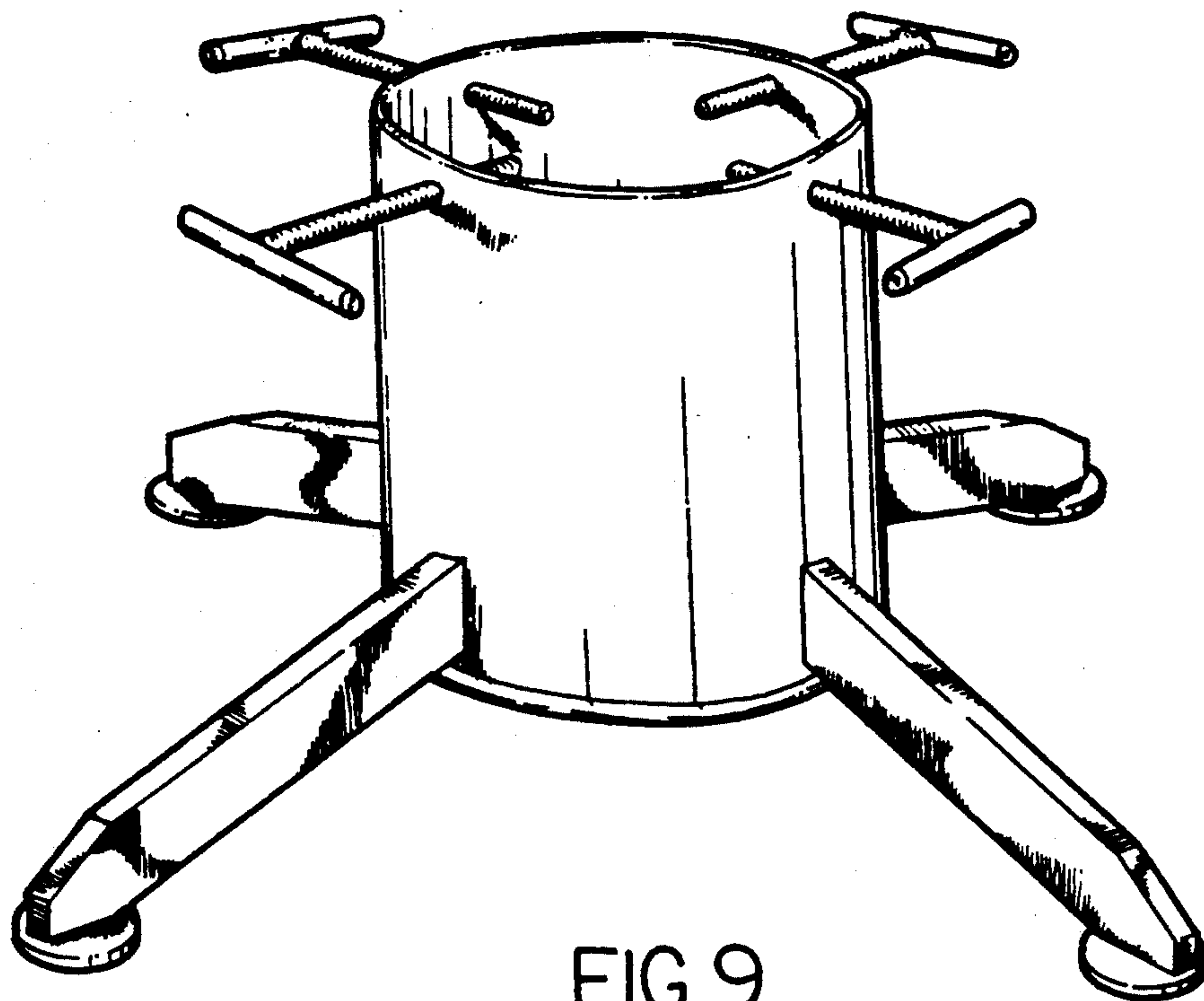


FIG. 9

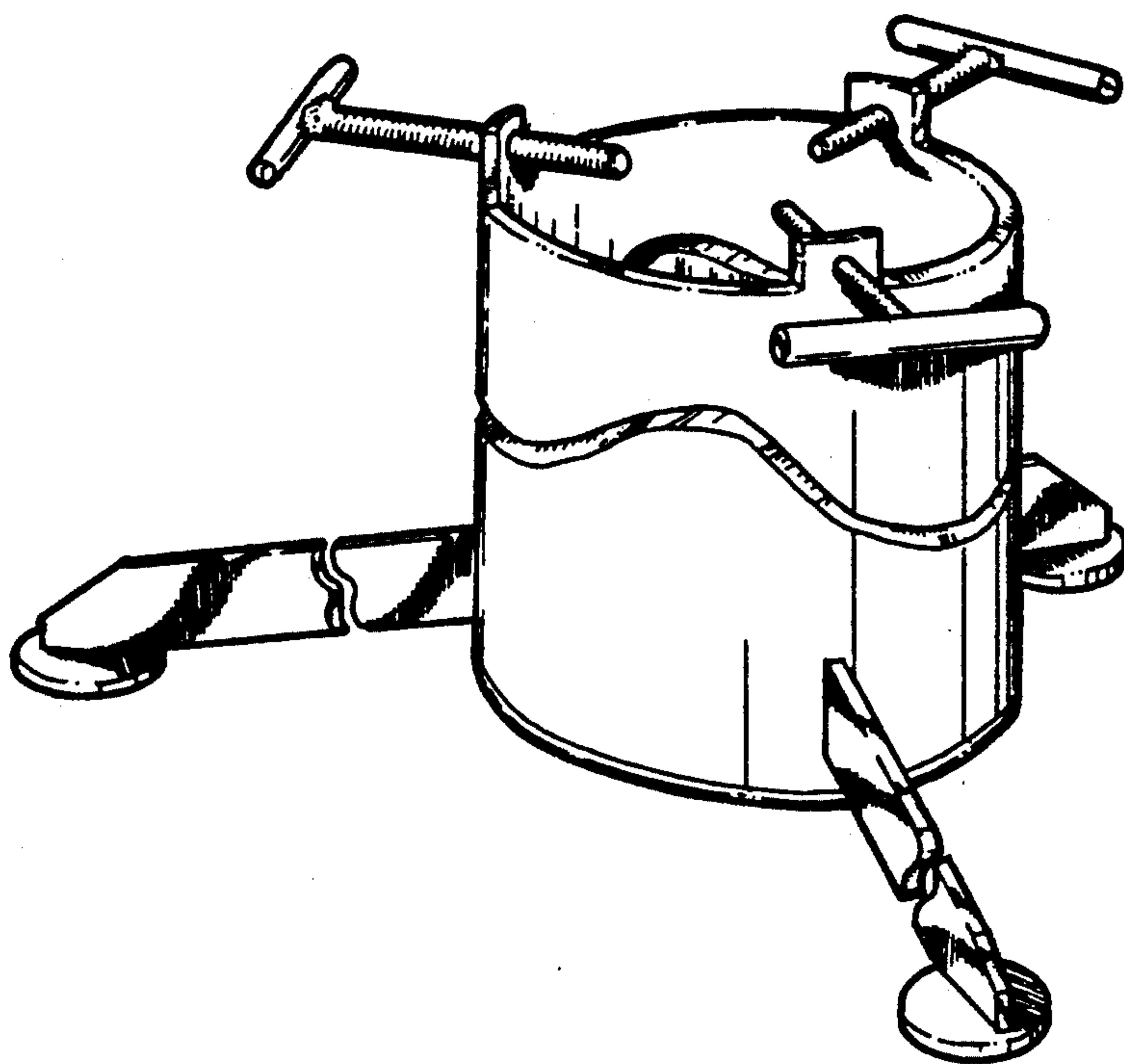


FIG. 10