



US00D329207S

United States Patent [19]
Cowan

[11] **Patent Number: Des. 329,207**

[45] **Date of Patent: ** Sep. 8, 1992**

[54] **TOP SHELL FOR EXPANSION BRACELET LINK**

[75] **Inventor: Murray L. Cowan, Norwood, Mass.**

[73] **Assignee: Textron Inc., Providence, R.I.**

[**] **Term: 14 Years**

[21] **Appl. No.: 513,177**

[22] **Filed: Apr. 23, 1990**

[52] **U.S. Cl. D11/93; D11/4; D11/19**

[58] **Field of Search D11/1-13, D11/15-25, 93, 94; 59/80-88, 90; 63/1.1-6; 224/171, 175, 178; D10/30-32**

[56] **References Cited**

U.S. PATENT DOCUMENTS

- D. 151,472 10/1948 Schorr D11/93
- D. 210,401 3/1968 Augenstein D11/23
- D. 211,599 7/1968 Luft D11/21
- D. 228,012 7/1973 Fontaine D11/93

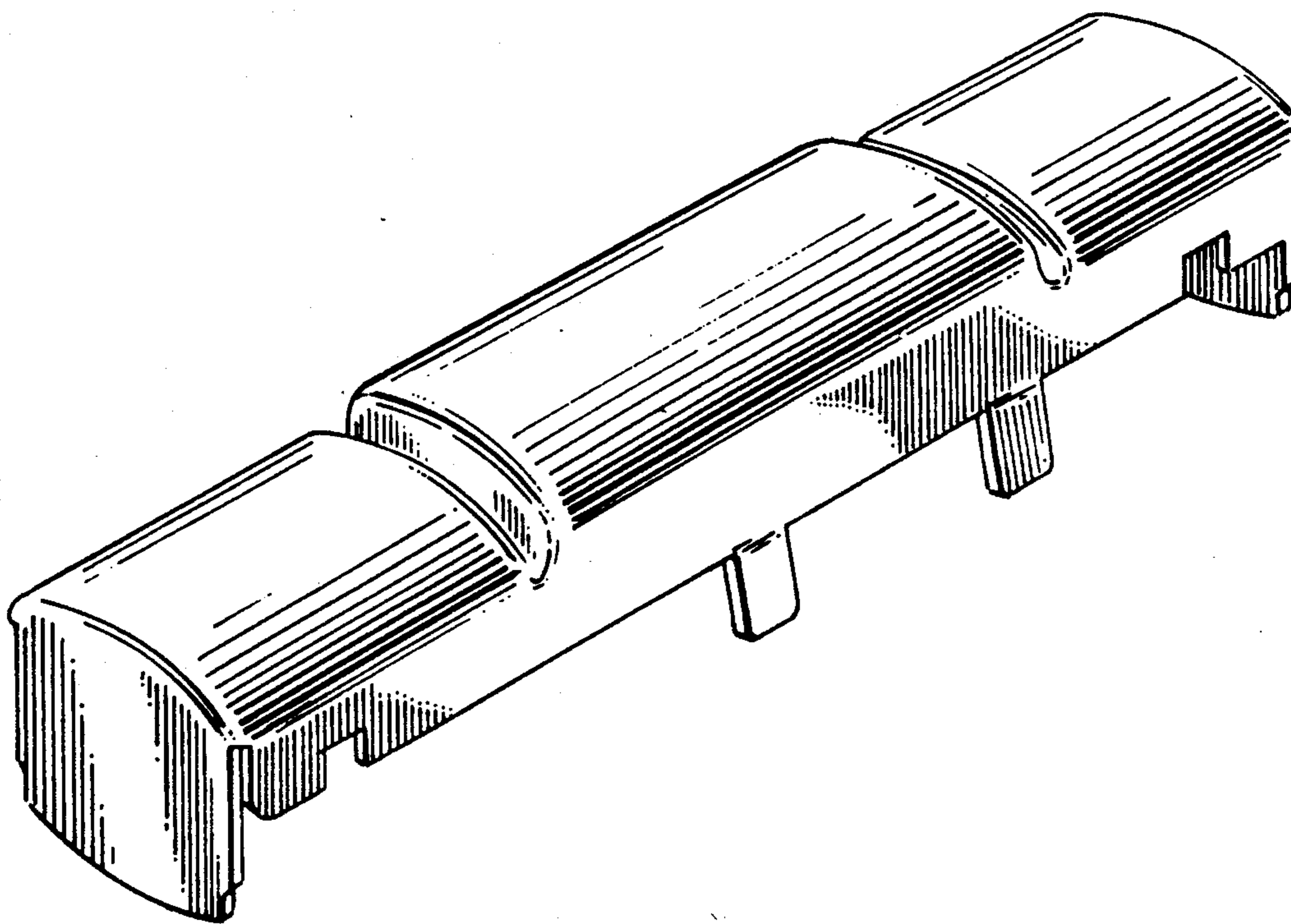
Primary Examiner—James R. Largen
Assistant Examiner—R. Seifert
Attorney, Agent, or Firm—Samuels, Gauthier & Stevens

[57] **CLAIM**

The ornamental design for a top shell for expansion bracelet link, as shown and described.

DESCRIPTION

FIG. 1 is a perspective view of a top shell for expansion bracelet link showing my new design;
FIG. 2 is a top plan view thereof;
FIG. 3 is a side elevational view thereof;
FIG. 4 is an end elevational view thereof; and,
FIG. 5 is a bottom plan view thereof.



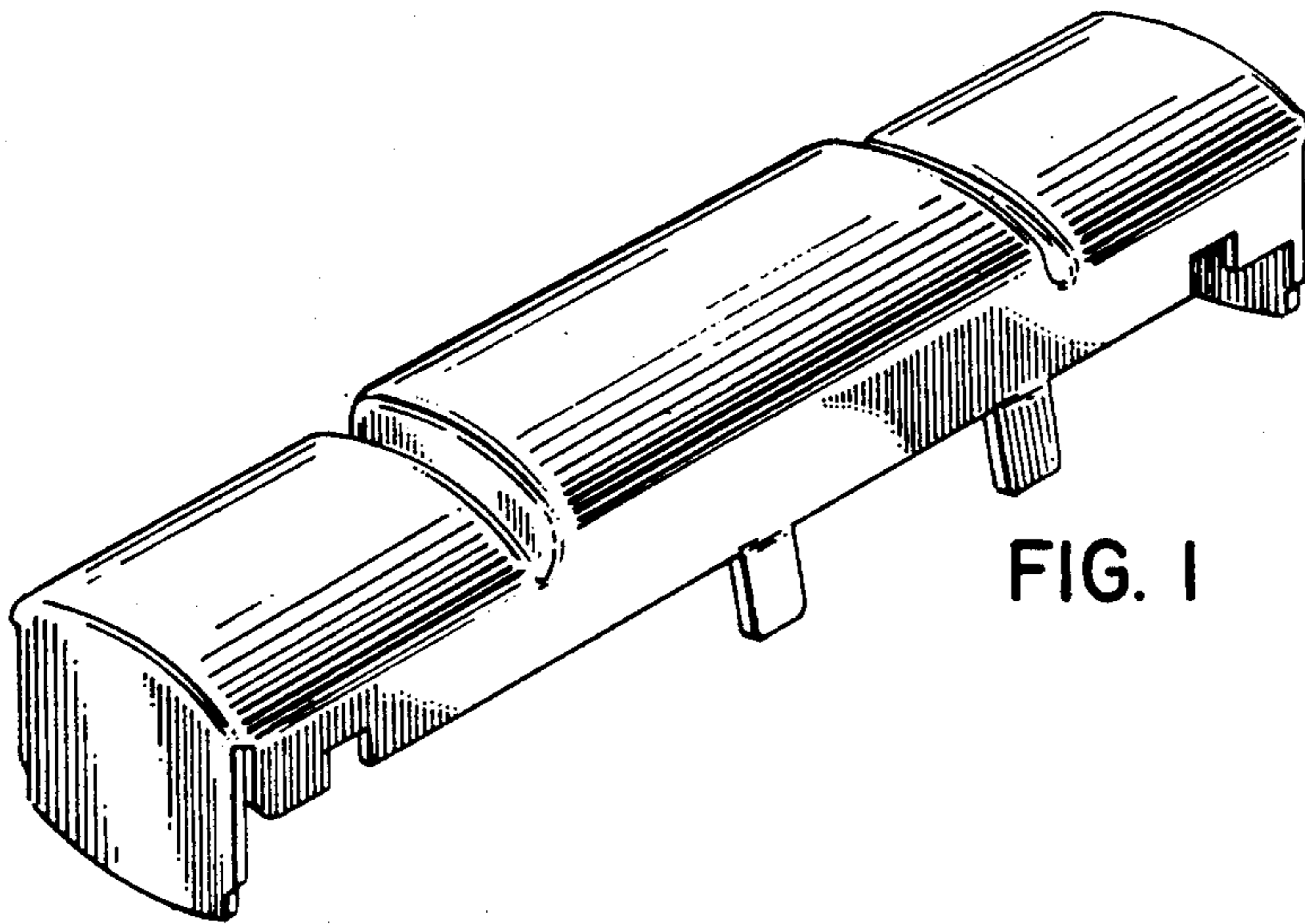


FIG. 1

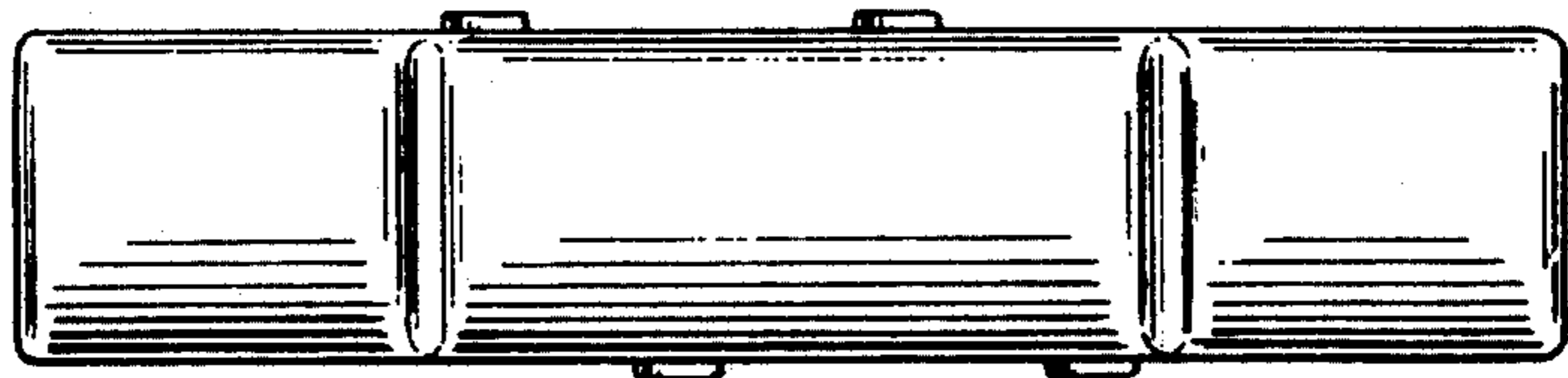


FIG. 2

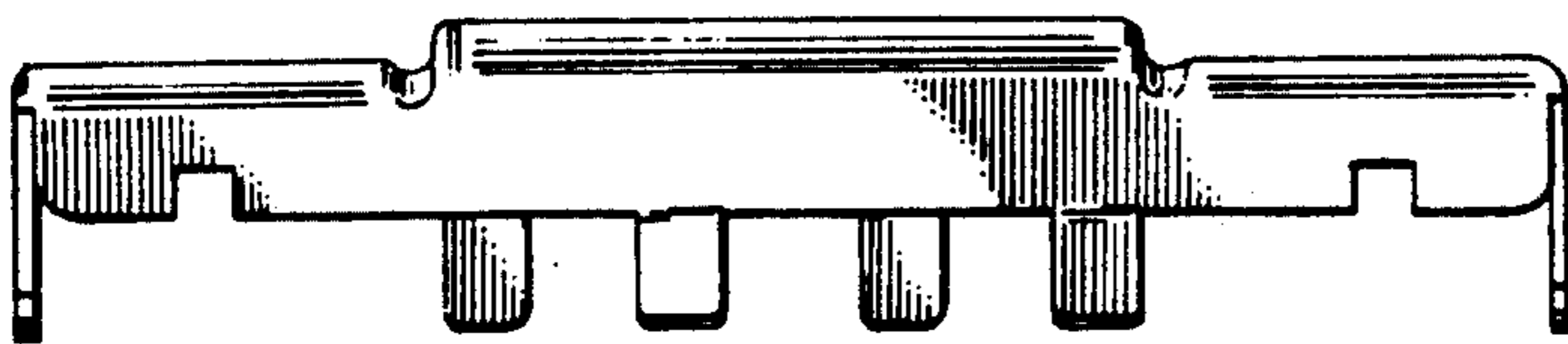


FIG. 3

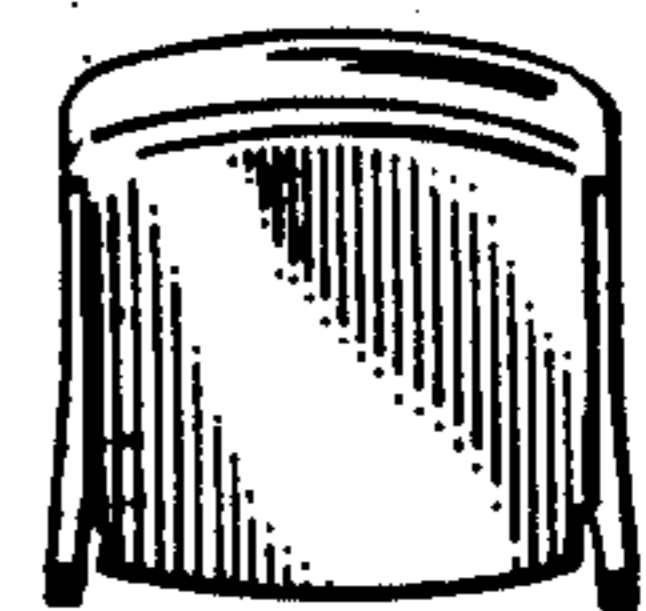


FIG. 4

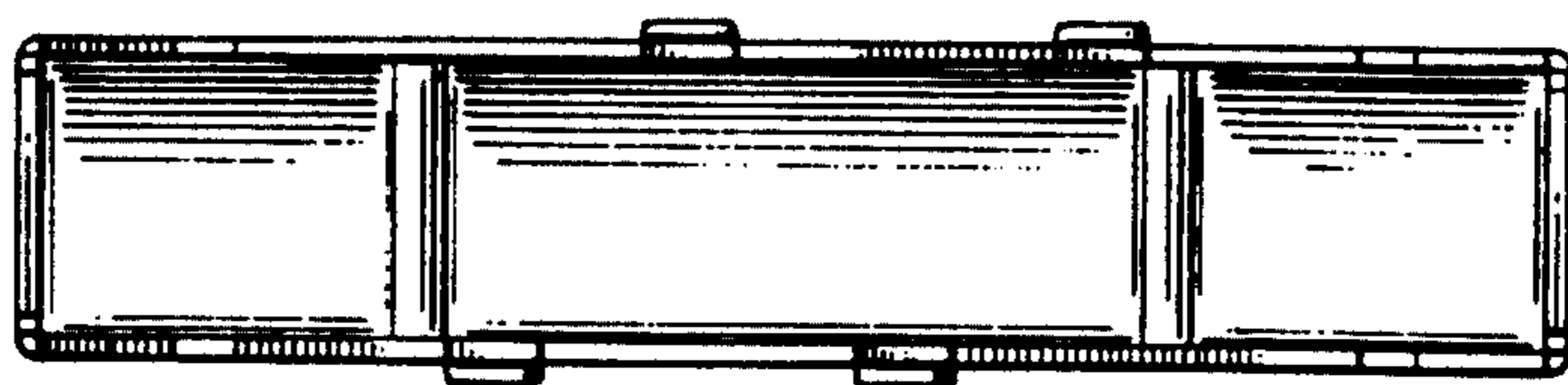


FIG. 5