



US00D329201S

# United States Patent [19]

Barat

[11] Patent Number: **Des. 329,201**

[45] Date of Patent: **\*\* Sep. 8, 1992**

[54] **COMBINED WATCH AND KEY CASE**

[76] Inventor: **Esther L. Barat, 27527 Orsini Ave., Canyon Country, Calif. 91351**

[\*\*] Term: **14 Years**

[21] Appl. No.: **529,267**

[22] Filed: **May 29, 1990**

[52] U.S. Cl. .... **D10/31; D10/2; D3/106**

[58] Field of Search ..... **D10/1-40, D10/122-132; D3/61-62, 103, 106, 43; 63/1.1, 9; 368/10, 280-282, 285, 276-277**

[56] **References Cited**

### U.S. PATENT DOCUMENTS

- D. 85,403 10/1931 Swanson ..... D10/31 X
- D. 105,768 8/1937 Wewetzer ..... D10/31
- D. 159,179 6/1950 Vogel ..... D3/61
- D. 251,773 5/1979 Morabito ..... D10/38
- 267,851 11/1882 Engelman ..... 63/9
- 1,851,750 3/1932 Cartuscitka ..... D10/32 X
- 2,352,473 6/1944 Cortese ..... D3/43 X

- 3,547,323 12/1970 Sledge ..... D3/62 X
- 4,903,250 2/1990 Cho ..... 368/281 X

### FOREIGN PATENT DOCUMENTS

- 935435 6/1948 France ..... 368/202

*Primary Examiner*—Nelson C. Holtje

*Attorney, Agent, or Firm*—Poms, Smith, Lande & Rose

### [57] CLAIM

The ornamental design for a combined watch and key case, as shown and described.

### DESCRIPTION

FIG. 1 is a top left front perspective view of a combined watch and key case showing my new design in an open position;

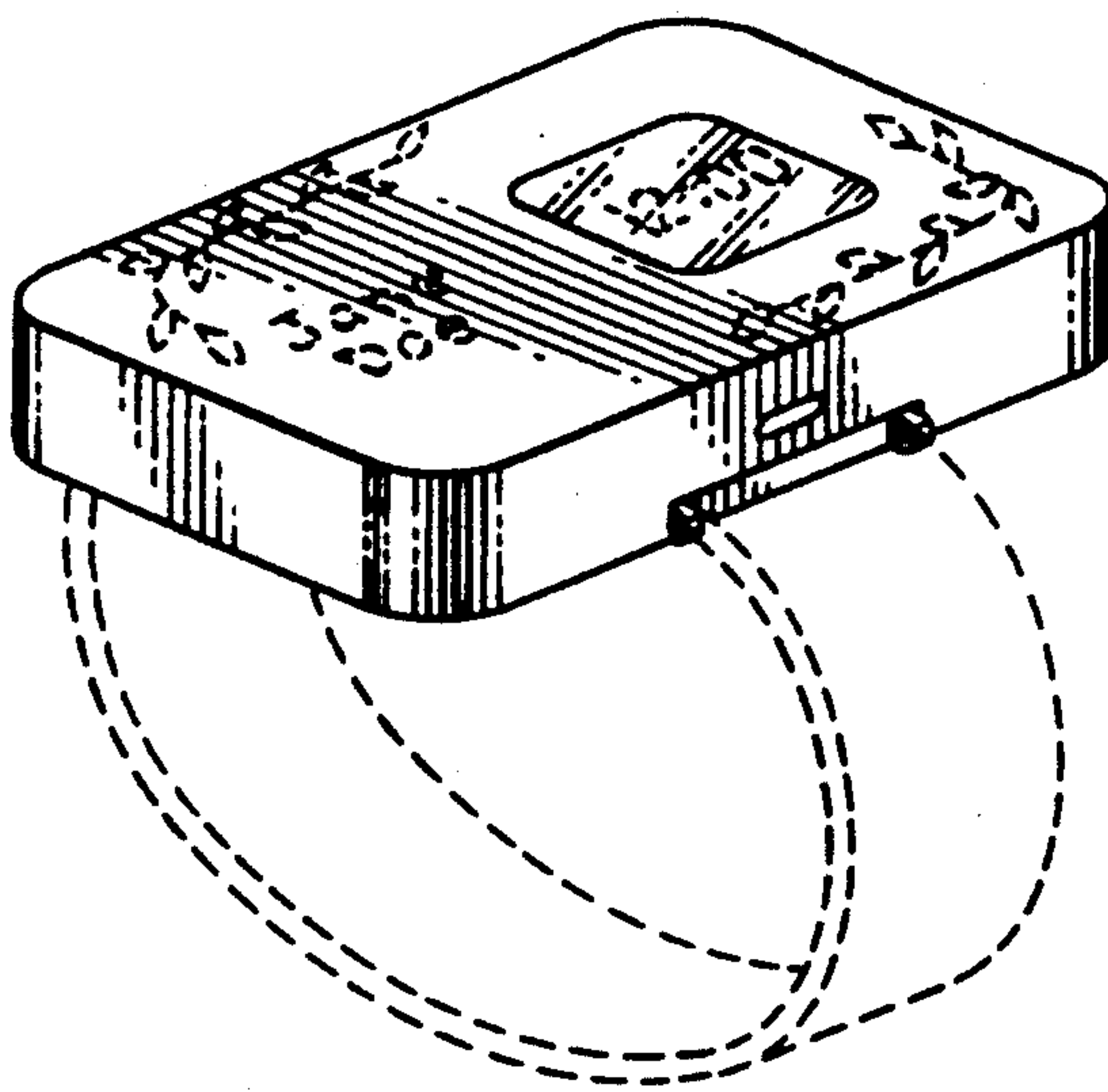
FIG. 2 is a top and left-front perspective view thereof in a closed position;

FIG. 3 is a right side elevational view of FIG. 2;

FIG. 4 is a rear elevational view of FIG. 2; and,

FIG. 5 is a bottom plan view of FIG. 2.

The broken lines of FIGS. 1-5 are environmental only and form no part of the claimed design.



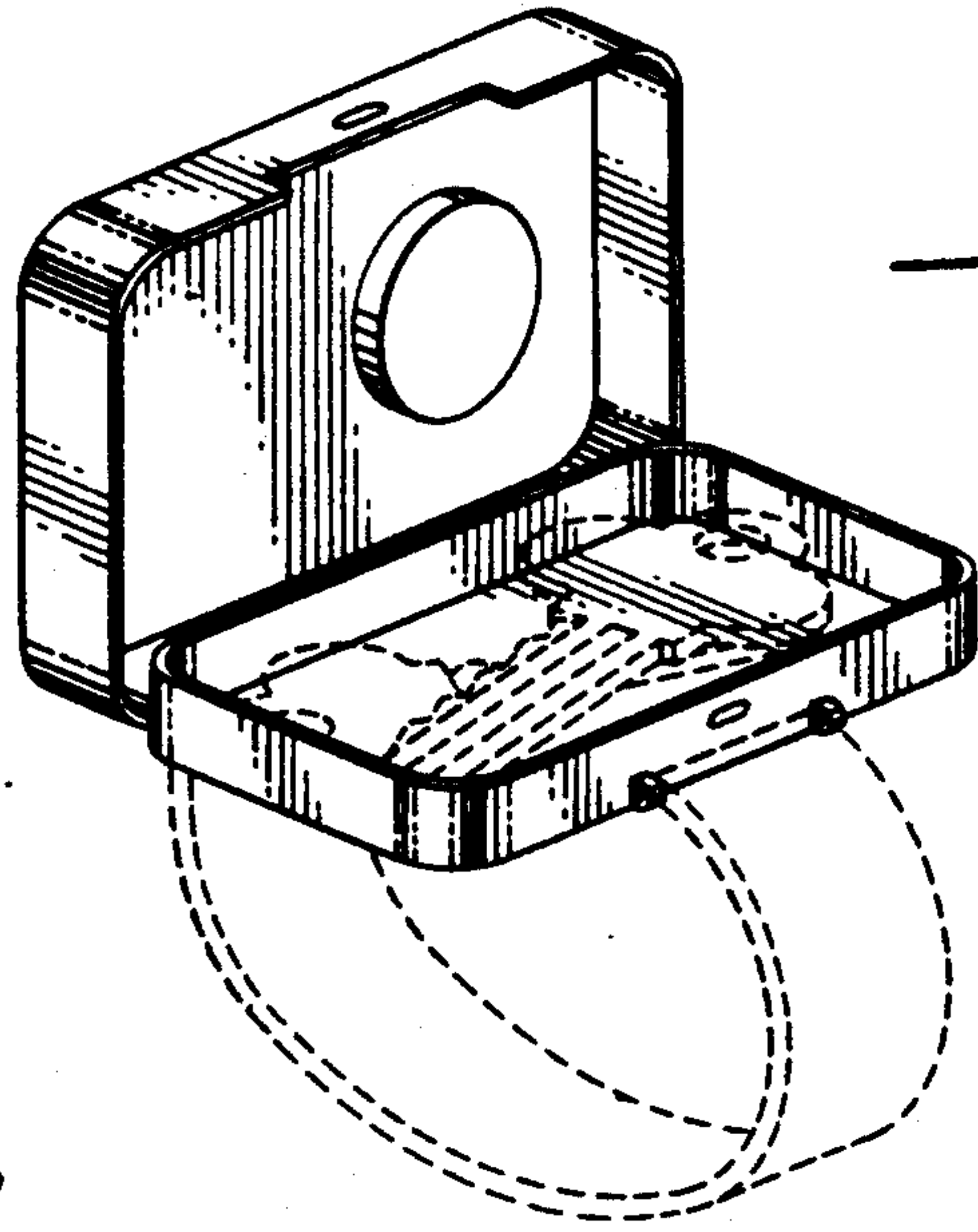


FIG. 1.

FIG. 2.

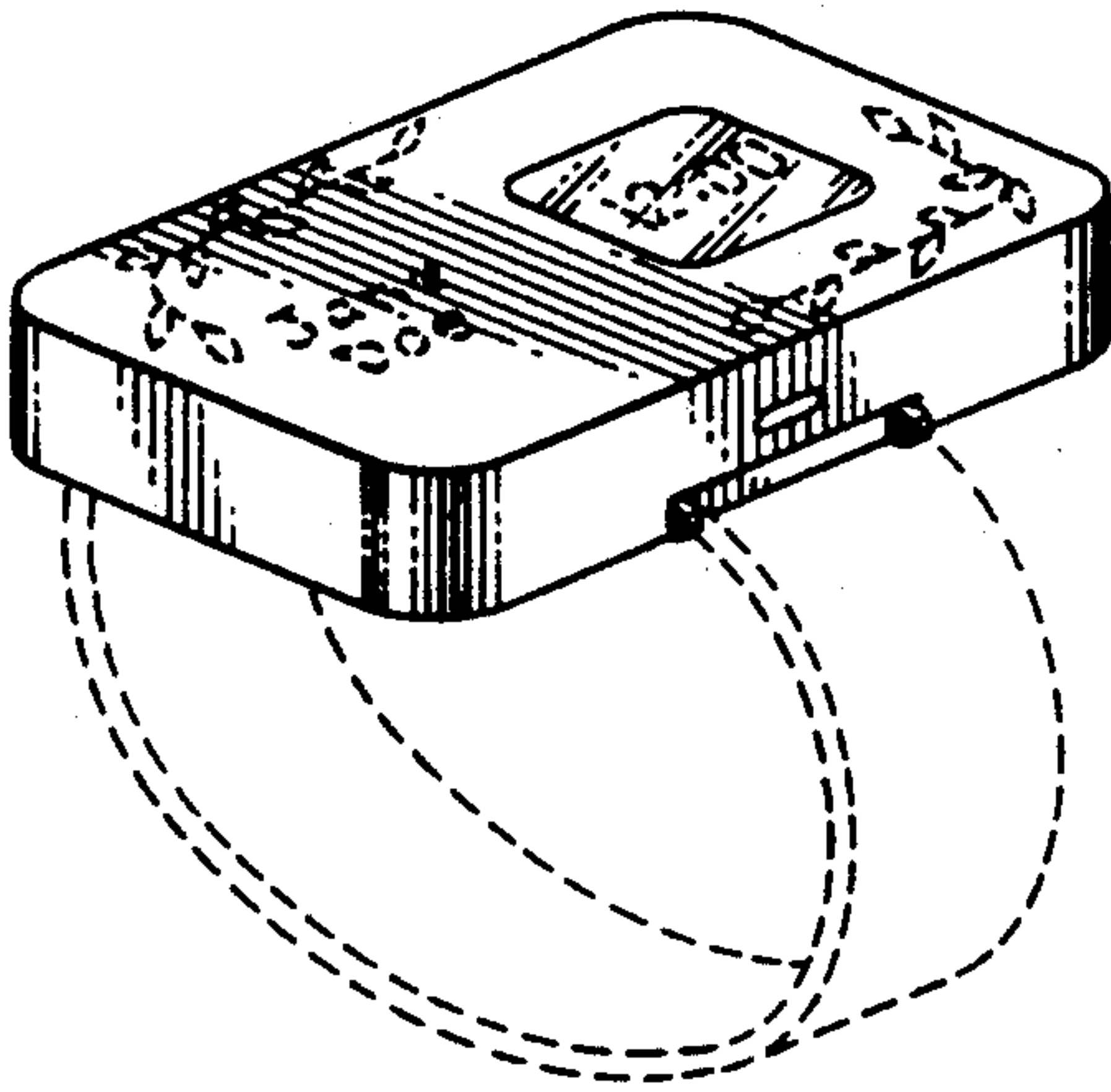


FIG. 3.

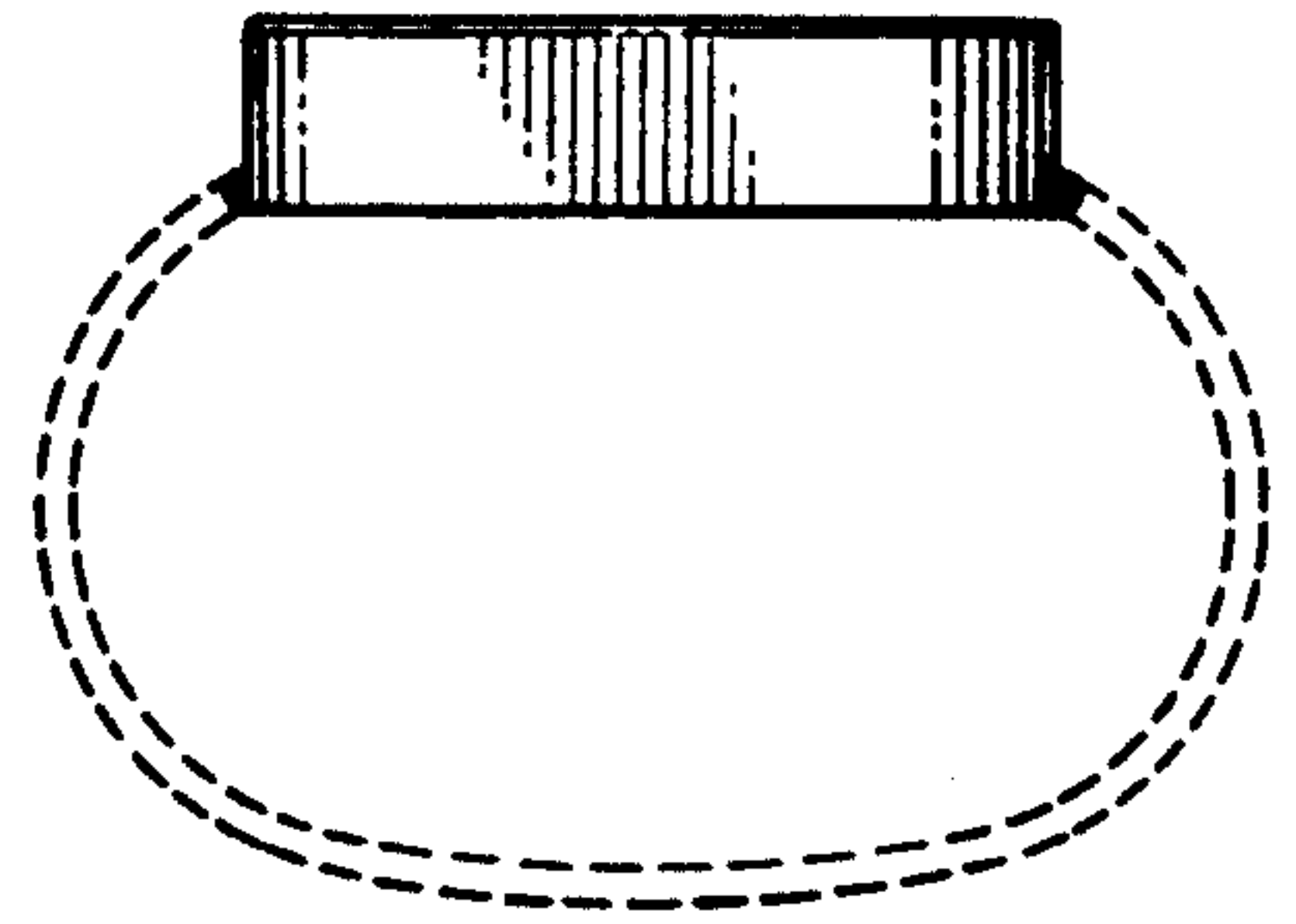


FIG. 4.

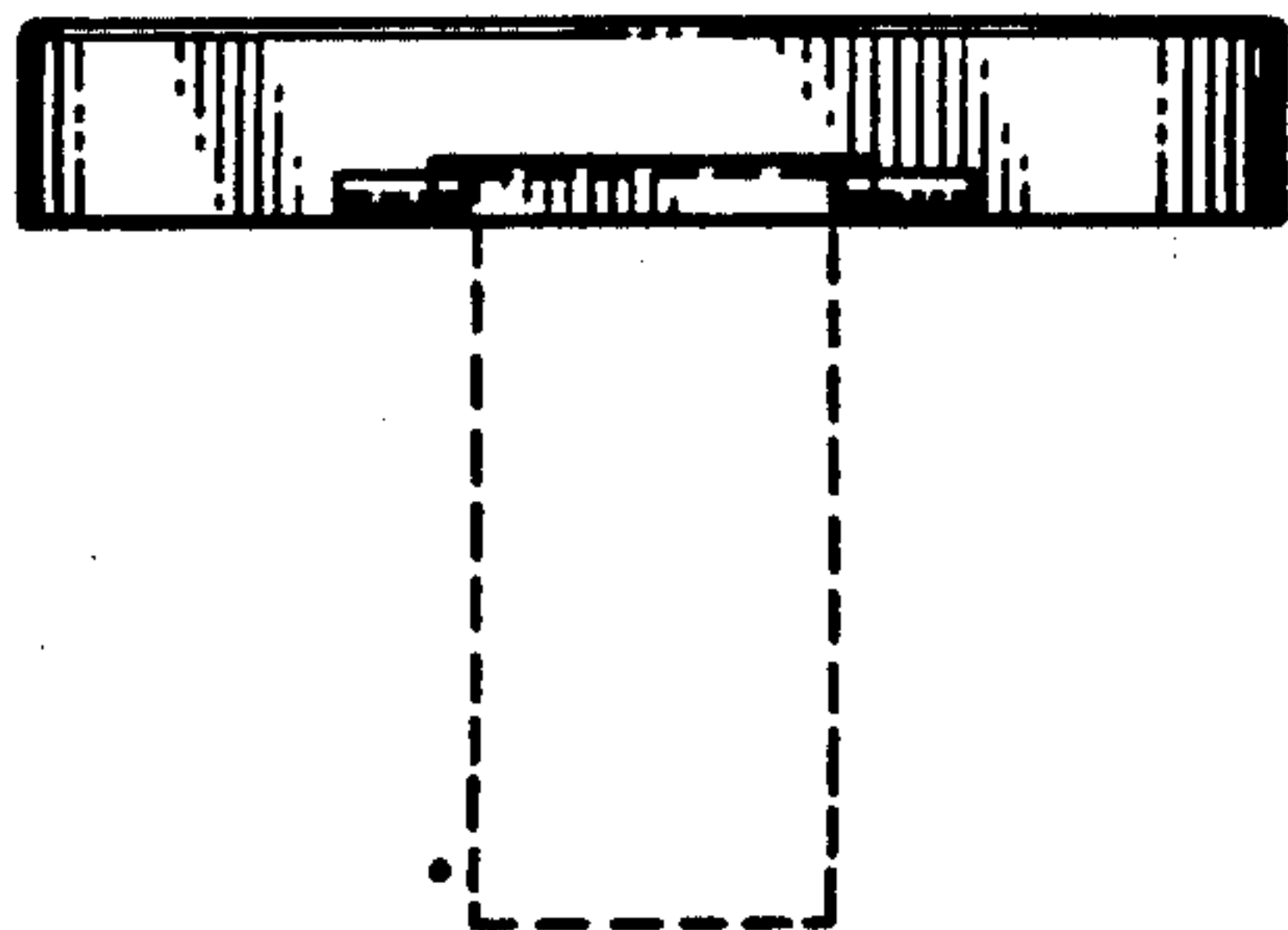


FIG. 5.

