



US00D329196S

United States Patent [19]

Schor

[11] Patent Number: **Des. 329,196**

[45] Date of Patent: **** Sep. 8, 1992**

[54] **ROOF ANCHOR FOR AN EXISTING ROOF**

[75] Inventor: **Michael A. Schor, St. Catherines, Canada**

[73] Assignee: **Niagara Roof Anchors Inc., Canada**

[**] Term: **14 Years**

[21] Appl. No.: **727,162**

[22] Filed: **Jul. 9, 1991**

[30] **Foreign Application Priority Data**

Mar. 18, 1991 [CA] Canada 18039116

[52] U.S. Cl. **D8/373; D12/317; D8/356**

[58] Field of Search **D8/373, 356, 367; D12/317; 248/500; 24/268, 115 K**

[56] **References Cited**

U.S. PATENT DOCUMENTS

- D. 58,002 5/1921 Virden D8/367 X
- D. 275,868 10/1984 Ake D8/367 X
- D. 291,058 7/1987 Sorenson D8/356
- D. 309,251 7/1990 Palmer D8/367

- D. 314,133 1/1991 Issand D12/317
- 2,891,490 6/1959 Elsner 24/265 X
- 3,276,731 10/1966 Orchard 248/500 X
- 3,297,293 1/1967 Andrews et al. 24/115 K X
- 4,431,352 2/1984 Andrews 248/500 X

FOREIGN PATENT DOCUMENTS

0302218 2/1989 European Pat. Off. 24/115 K

Primary Examiner—Horace B. Fay, Jr.

Attorney, Agent, or Firm—Dennison, Meserole, Pollack & Scheiner

[57] **CLAIM**

The ornamental design for the roof anchor for an existing roof, as shown.

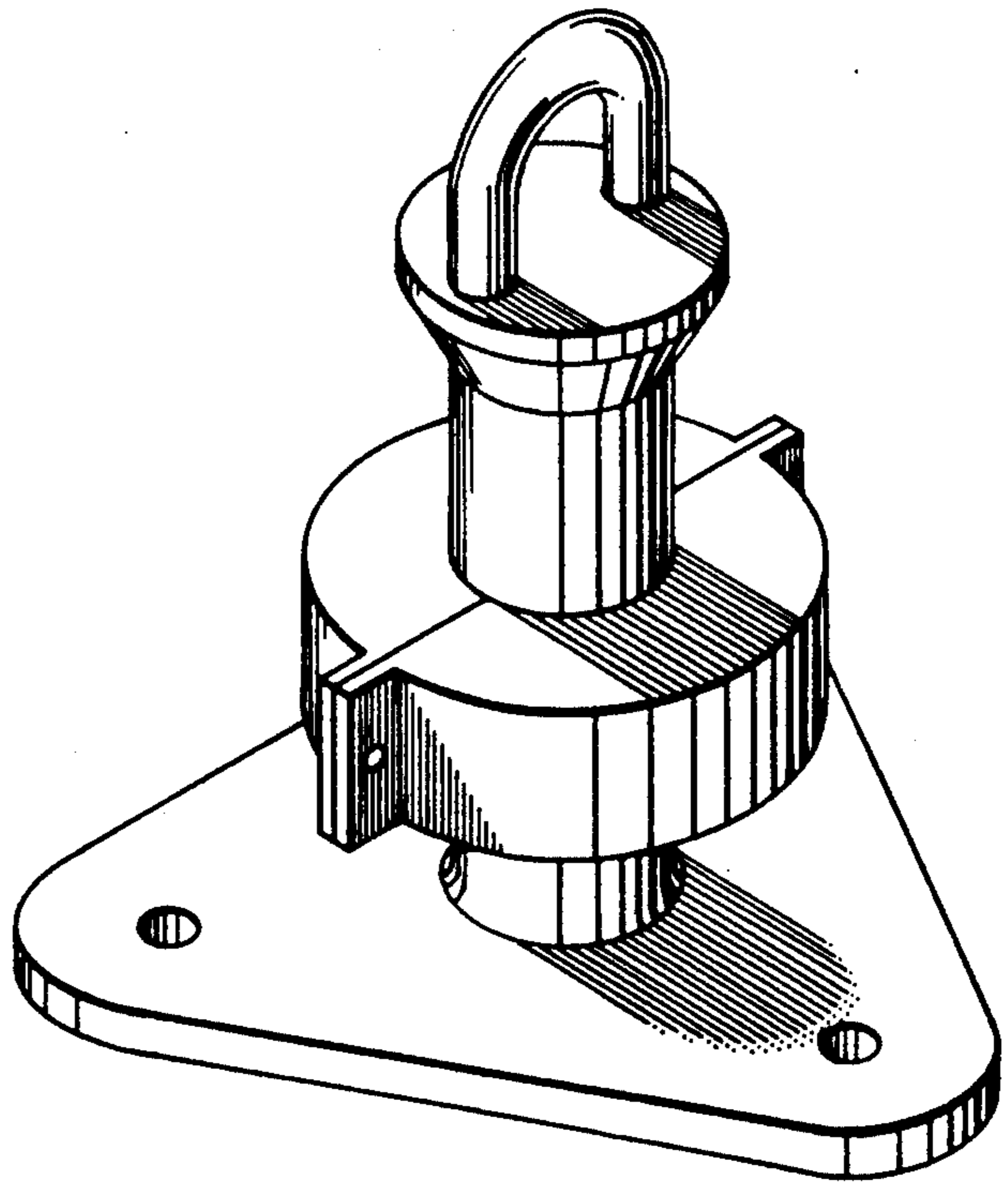
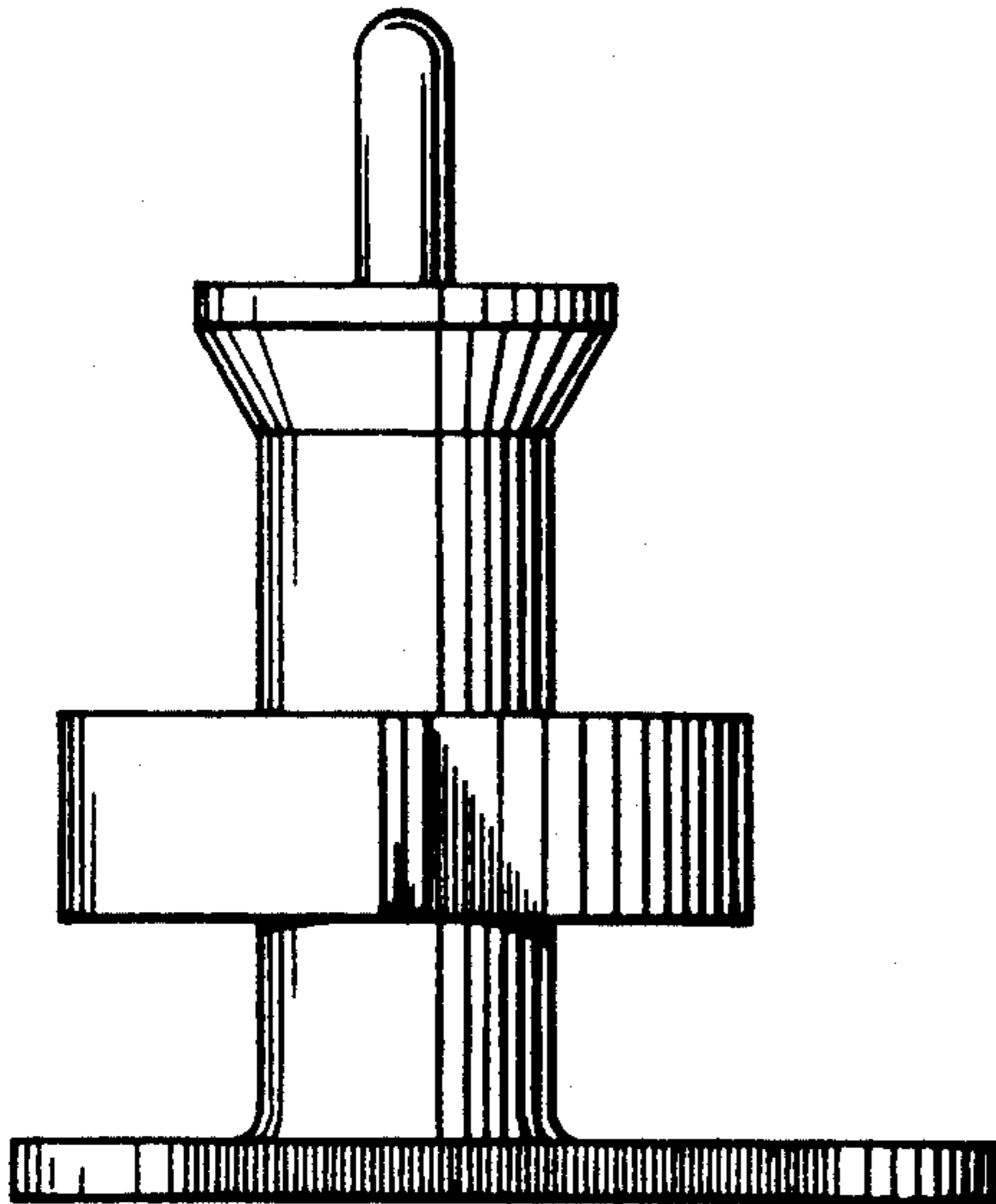
DESCRIPTION

FIGS. 1 and 2 are respectively front and rear elevational views of a roof anchor for an existing roof showing my new design;

FIG. 3 and 4 are respectively left and right side elevational views thereof;

FIGS. 5 and 6 are respectively top and bottom views thereof; and,

FIG. 7 is a perspective view thereof.



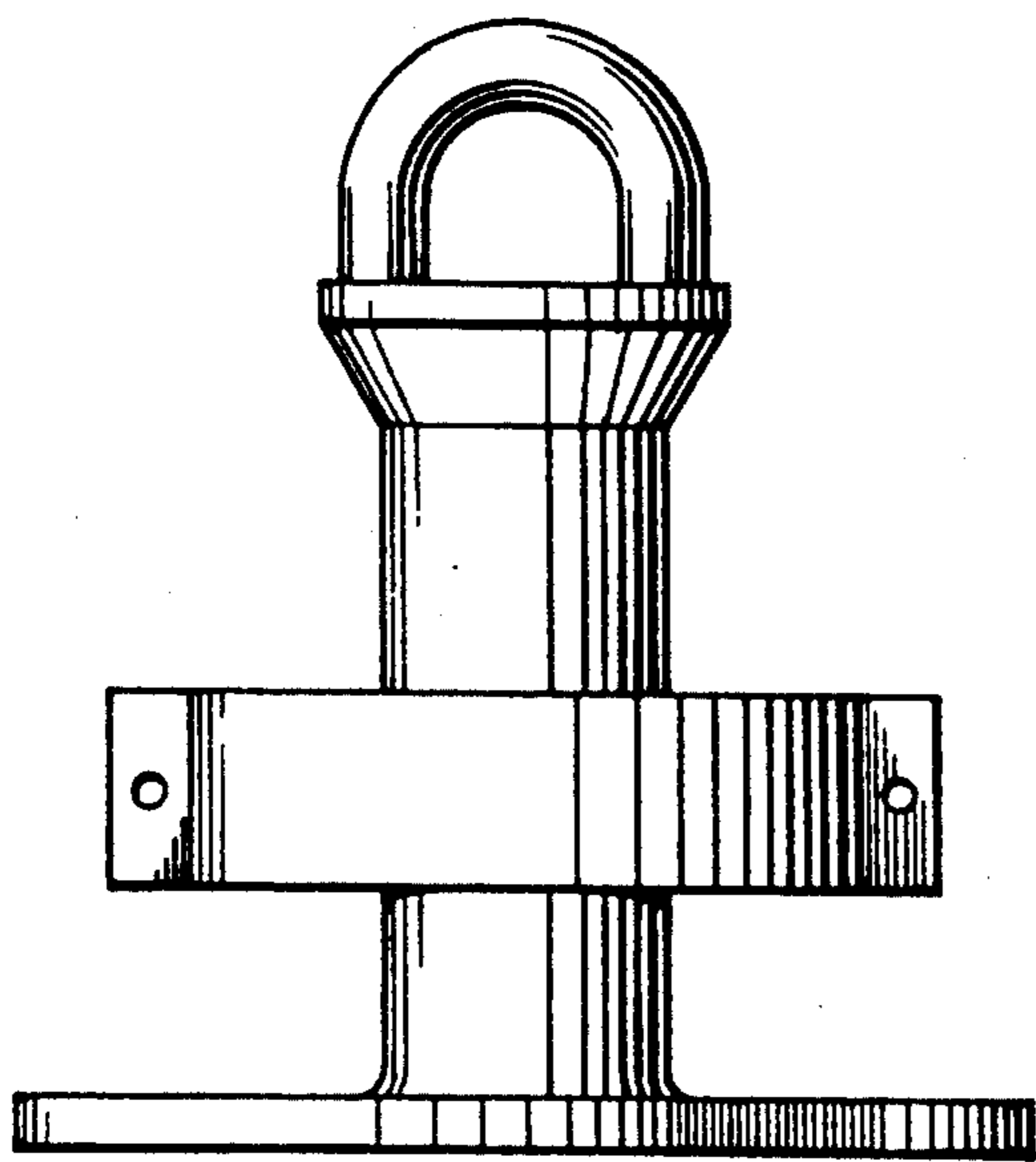


FIG. 1

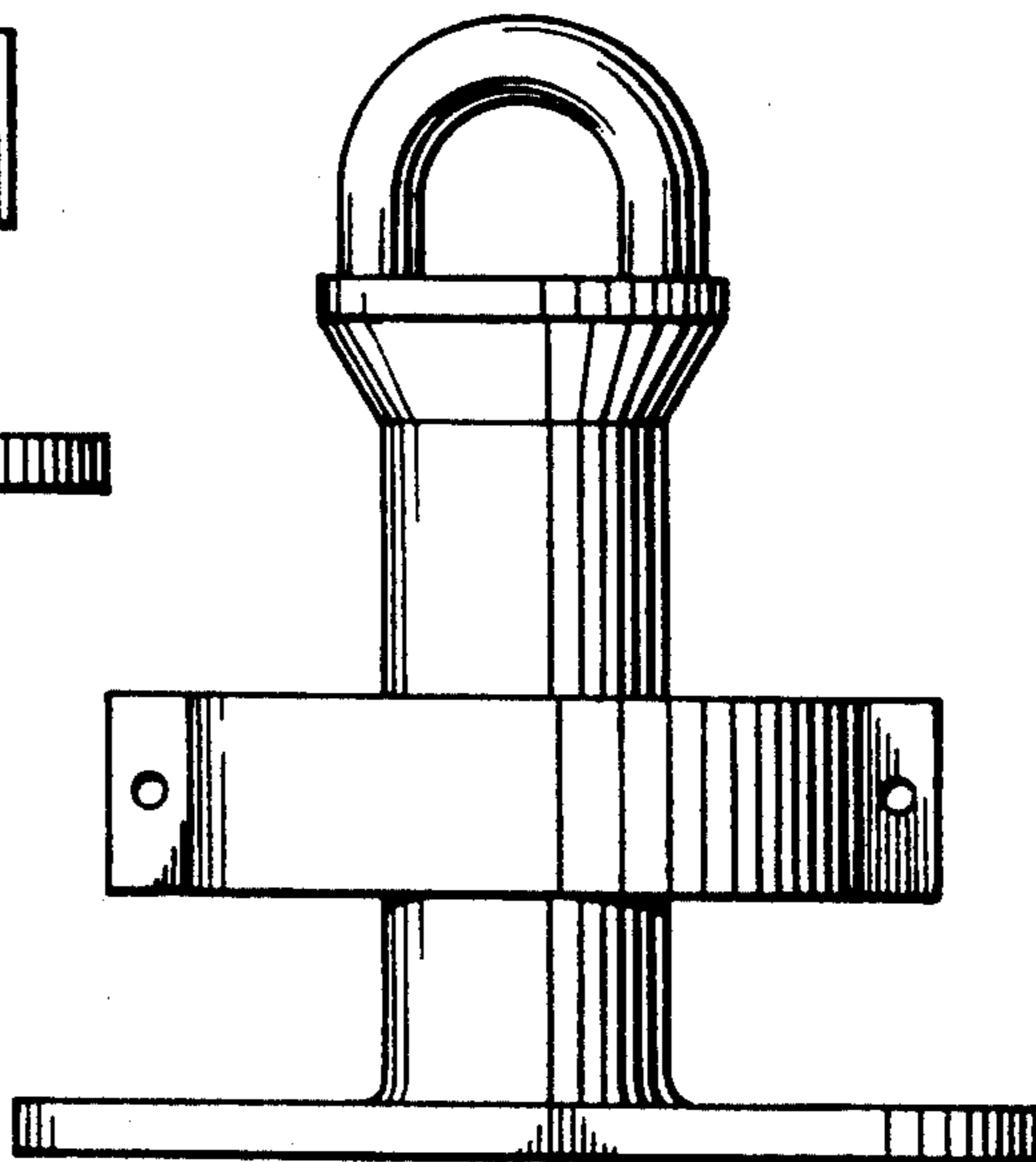


FIG. 2

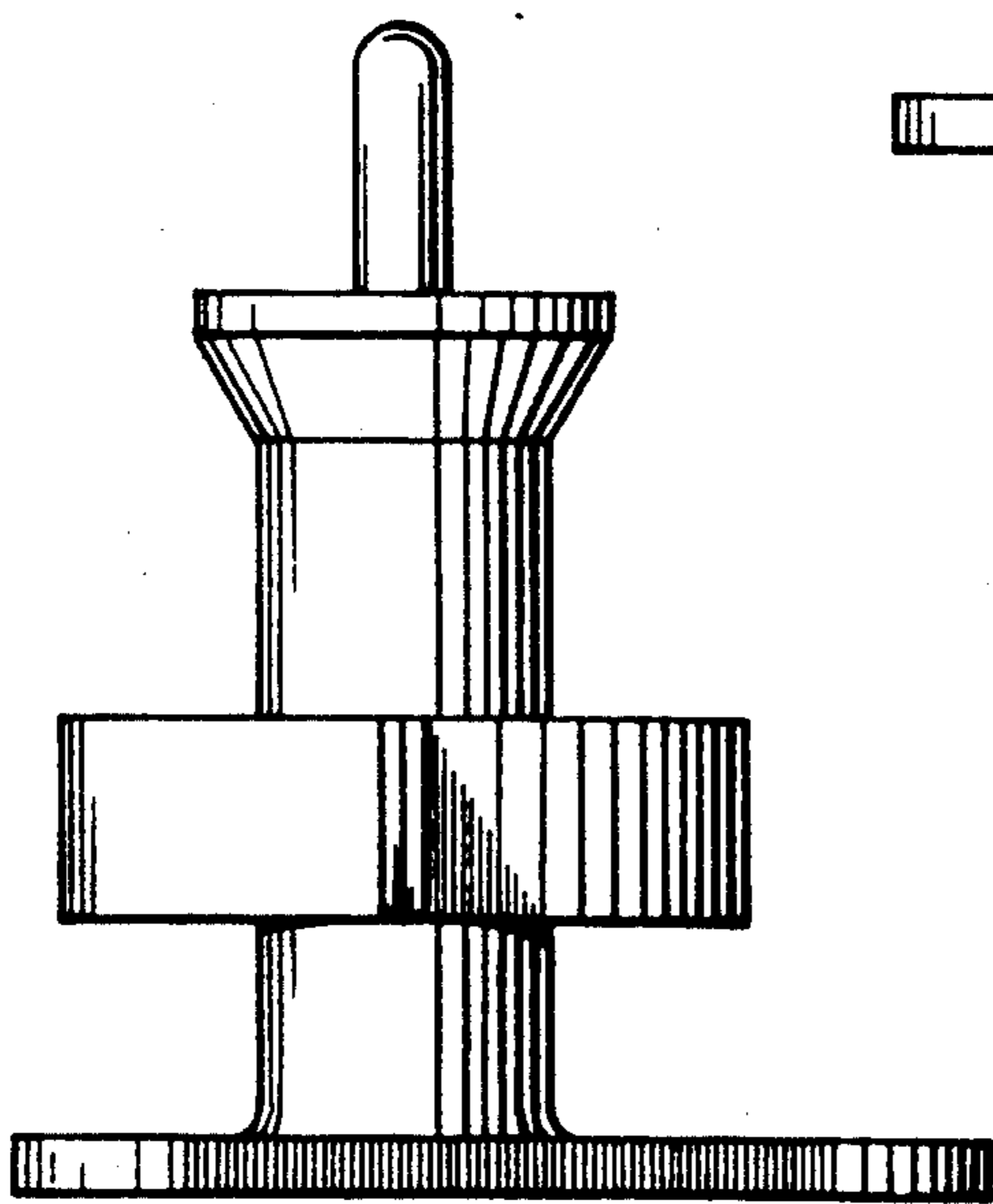


FIG. 3

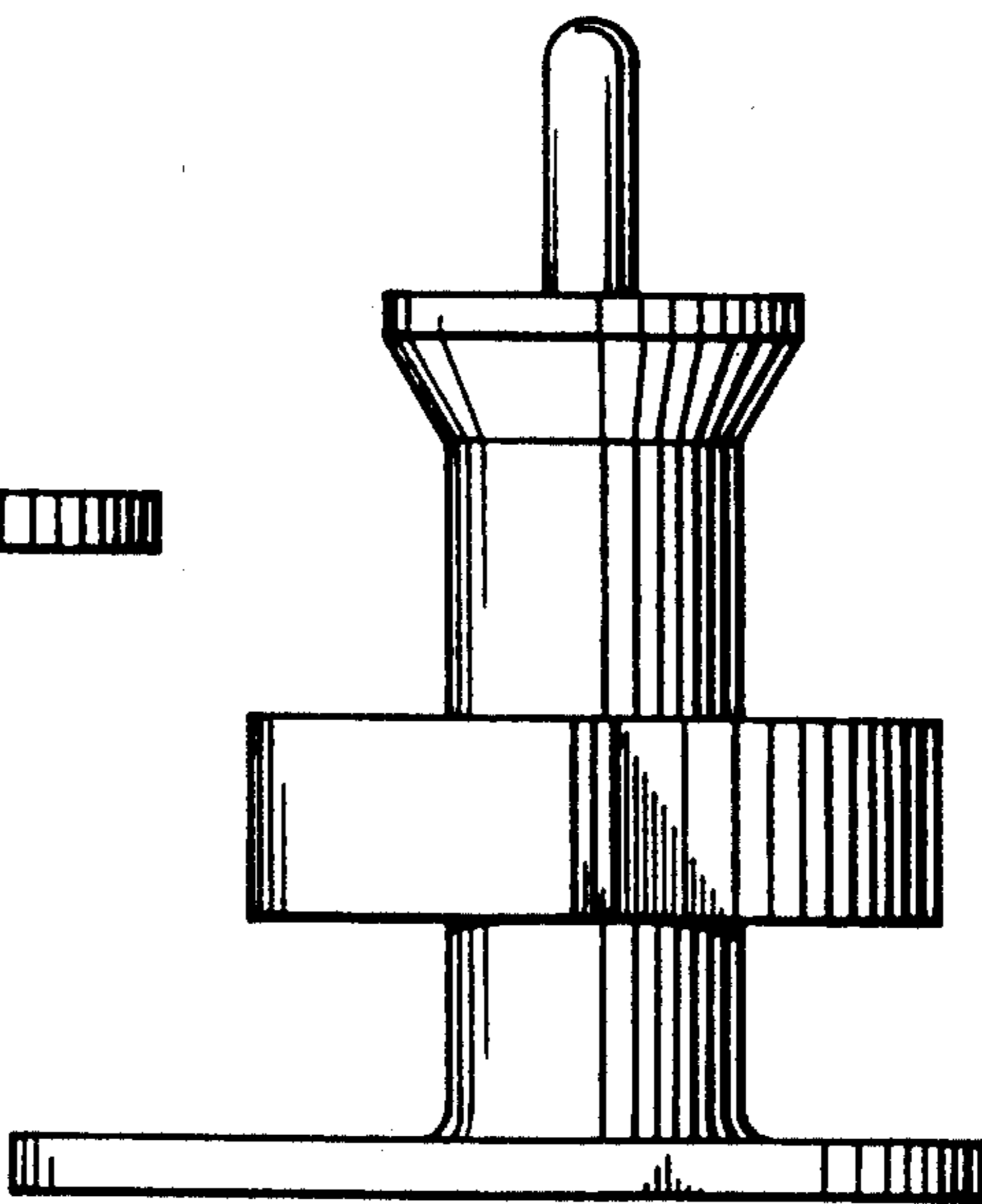


FIG. 4

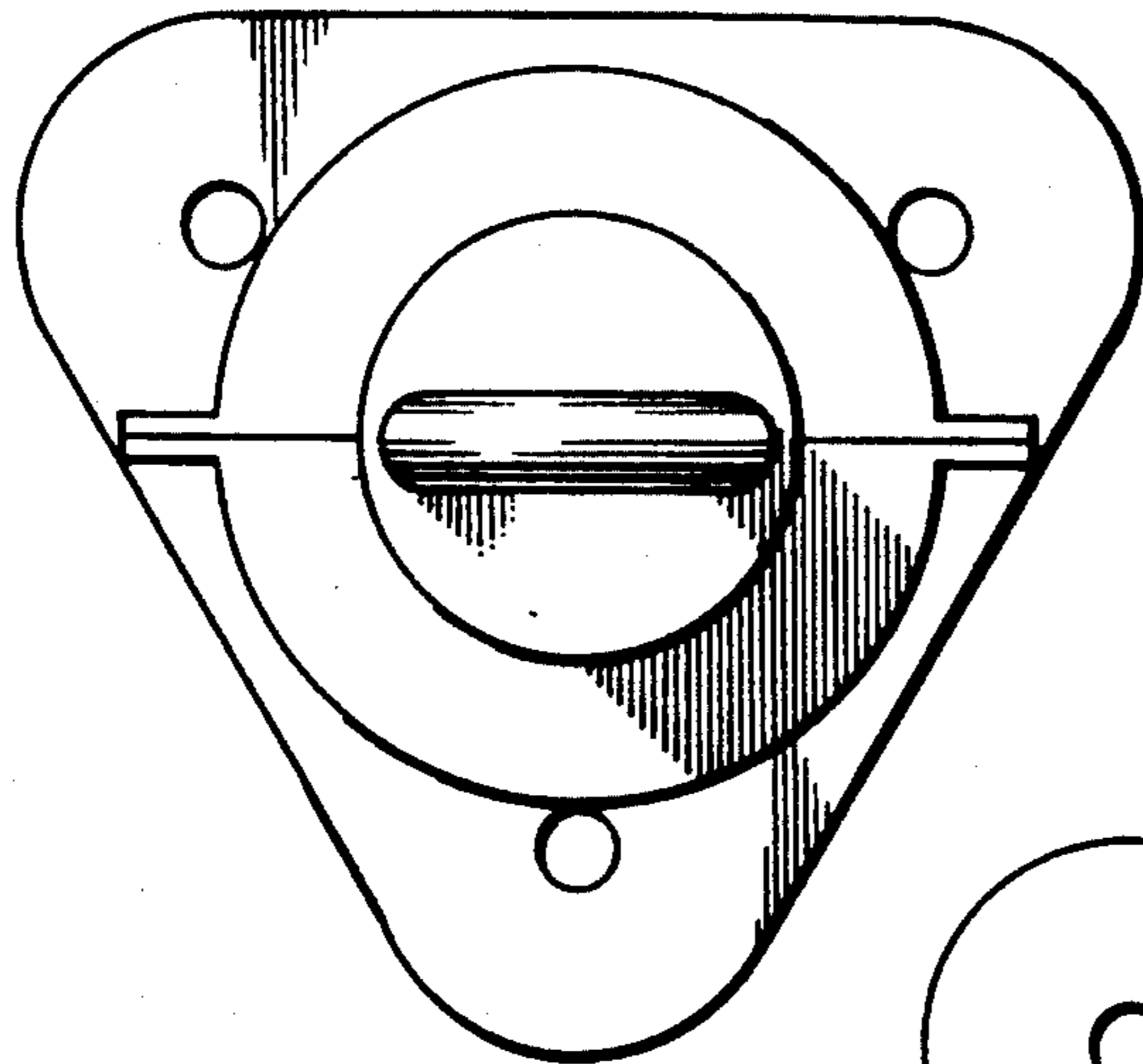


FIG. 5

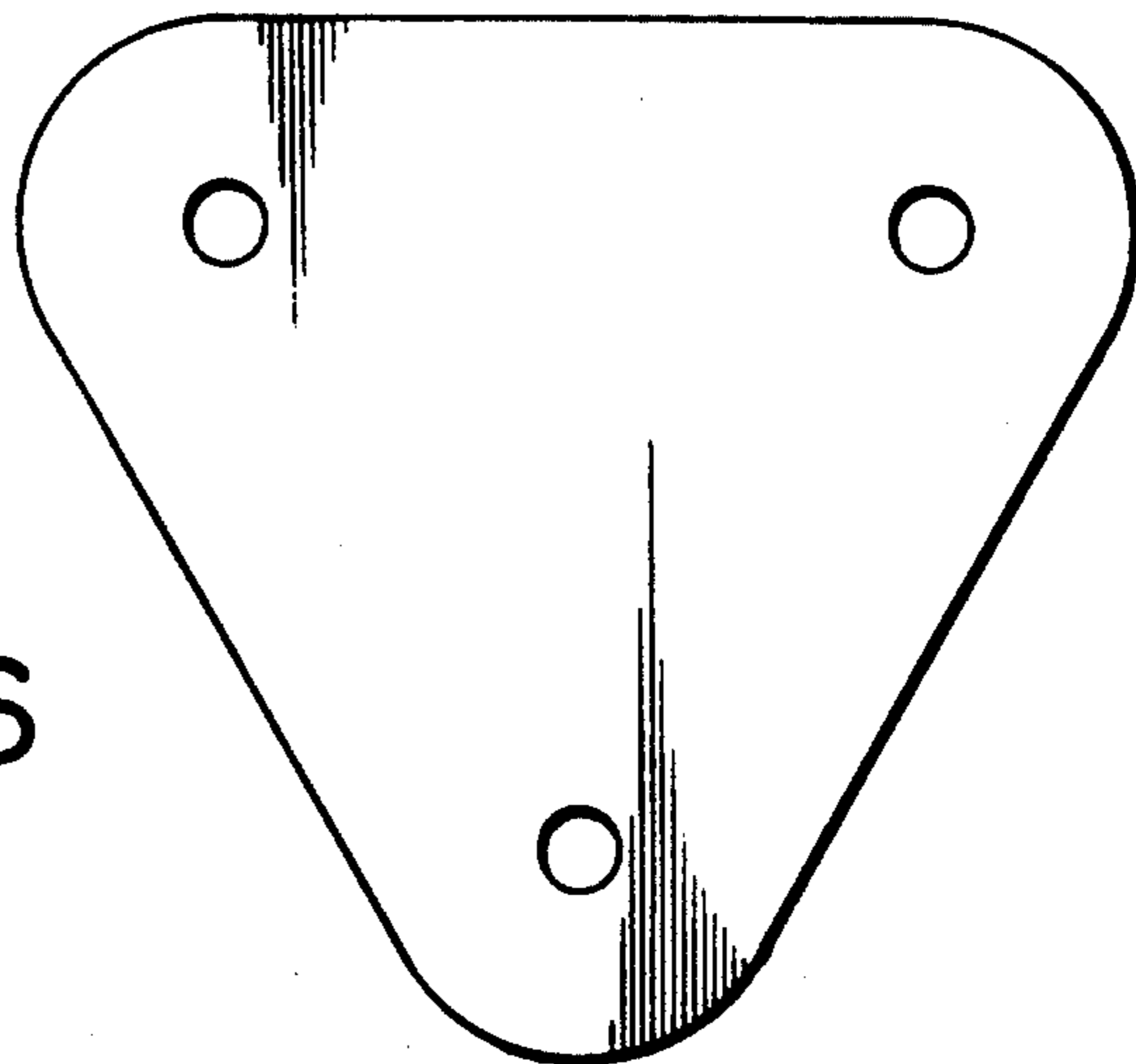


FIG. 6

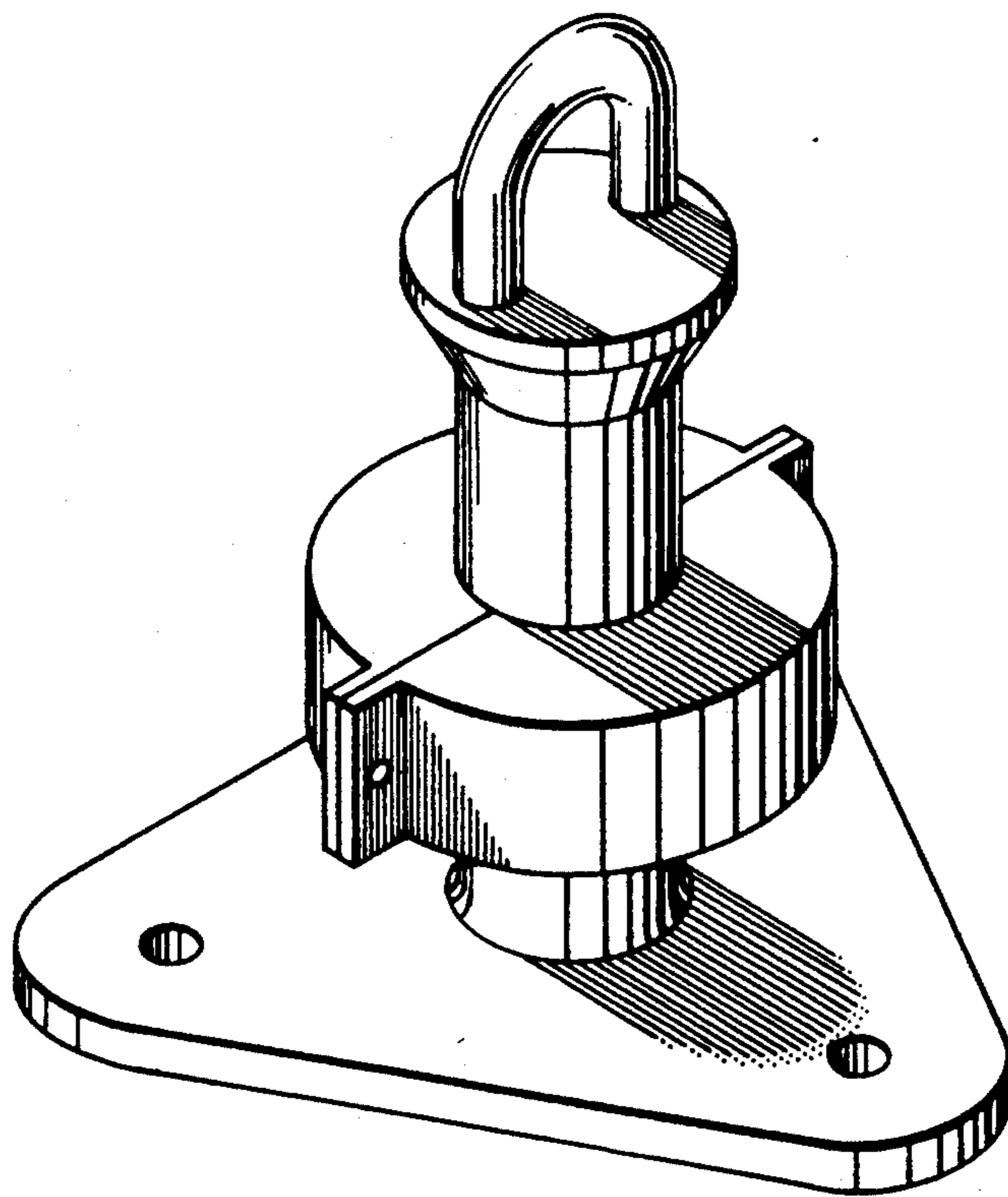


FIG. 7