



US00D329195S

# United States Patent [19] Yanish

[11] Patent Number: **Des. 329,195**

[45] Date of Patent: **\*\* Sep. 8, 1992**

[54] **HOSE HOLDING DEVICE**

4,836,479 6/1989 Adams .

[76] Inventor: **Kenneth Yanish**, Box 356A Leberly St., Old Bridge, N.J. 08857

**FOREIGN PATENT DOCUMENTS**

285914 1/1953 Switzerland ..... 248/70

[\*\*] Term: **14 Years**

*Primary Examiner*—Wallace R. Burke

*Assistant Examiner*—H. Baynham

[21] Appl. No.: **527,247**

[57] **CLAIM**

[22] Filed: **May 23, 1990**

[52] U.S. Cl. .... **D8/356**

[58] Field of Search ..... **D8/356, 358; D6/417; 248/75, 89, 79, 90, 80, 70; 242/149; D23/217**

The ornamental design for a hose holding device, as shown and described.

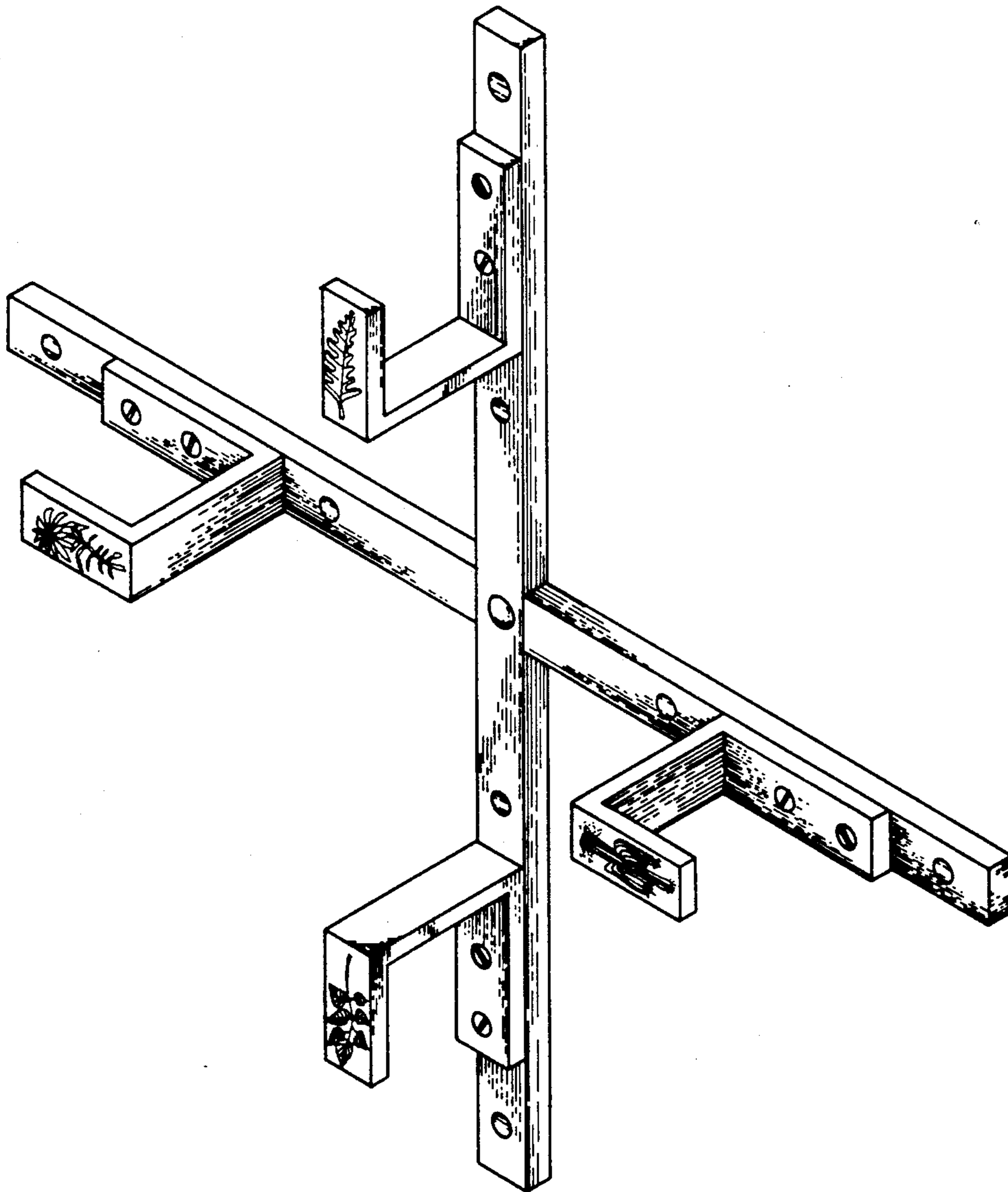
**DESCRIPTION**

[56] **References Cited**

**U.S. PATENT DOCUMENTS**

- D. 33,507 6/1900 Probasco ..... D8/358
- D. 274,487 7/1984 Eads .
- 2,943,833 7/1960 Ramse .
- 4,550,890 11/1985 Whitley ..... 248/90

FIG. 1 is a perspective view of the hose holding device embodying the design of the present invention; FIG. 2 is a front elevational view thereof; FIG. 3 is a rear elevational view thereof; and, FIG. 4 is a side elevational view thereof, the side opposite being a mirror image of the side shown in FIG. 4.



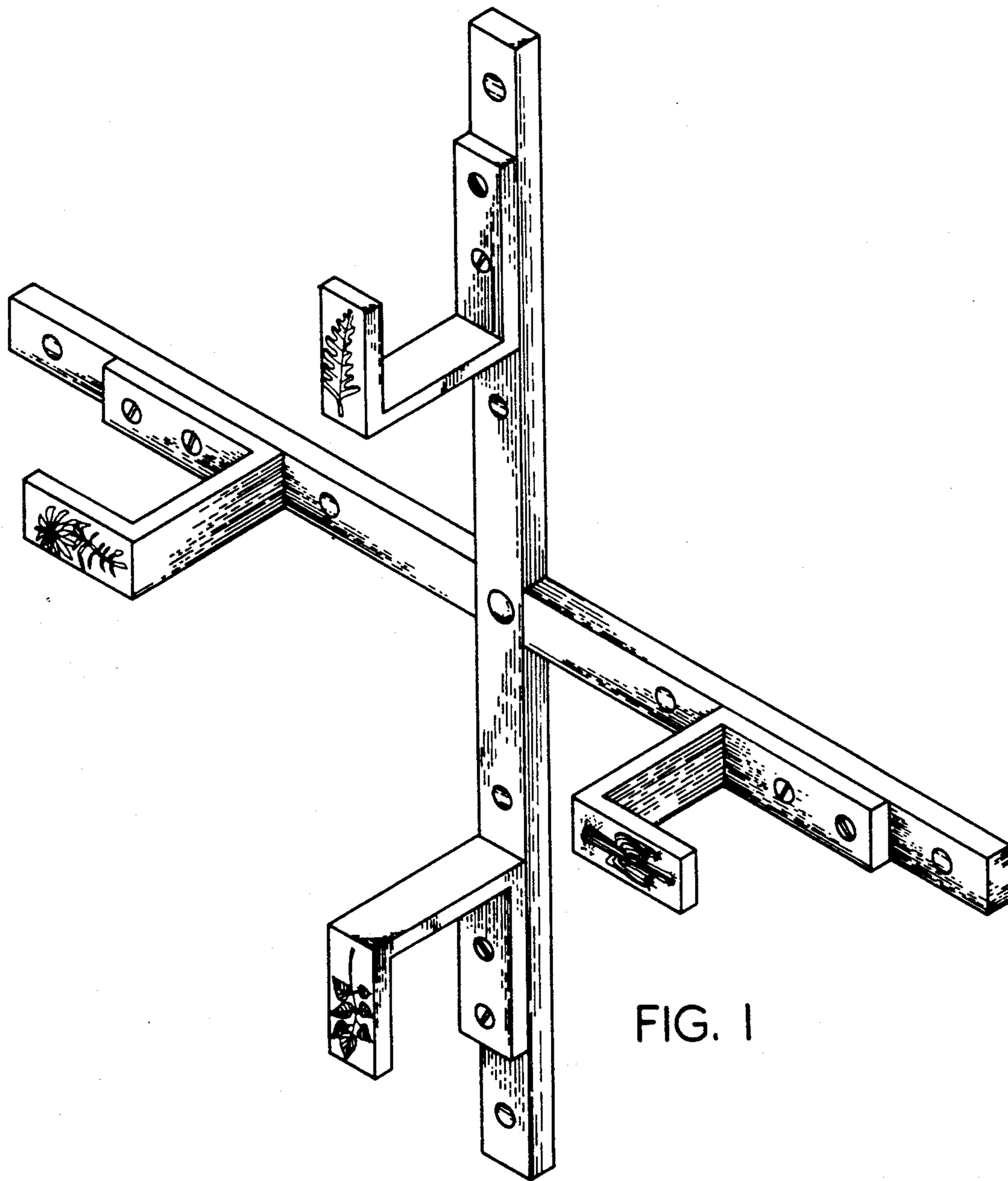


FIG. 1

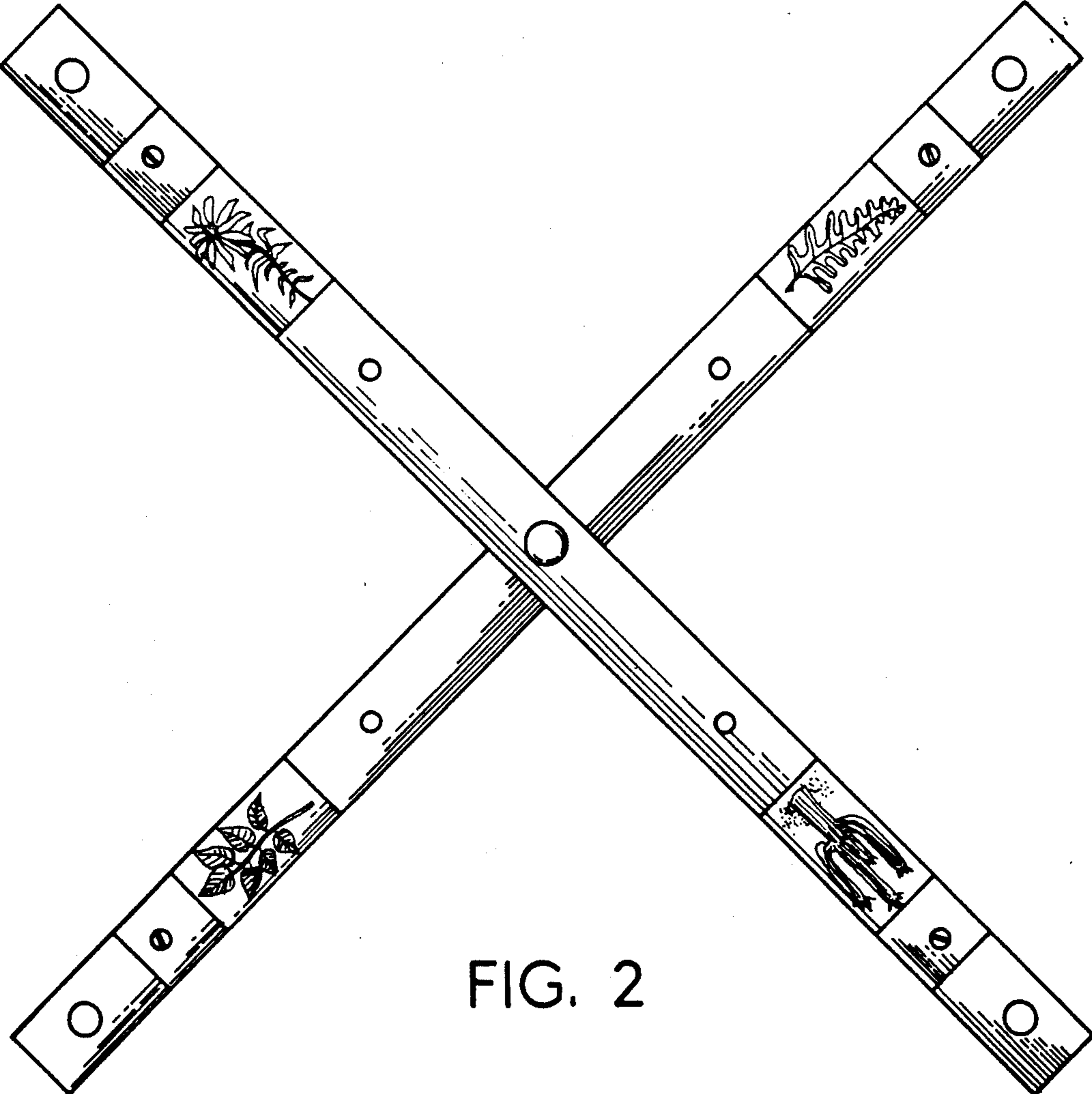


FIG. 2

