



US00D329193S

# United States Patent [19]

[11] Patent Number: **Des. 329,193**

Togami et al.

[45] Date of Patent: **\*\* Sep. 8, 1992**

[54] **OPTICAL ENCODER BRACKET**

[75] Inventors: **Chris K. Togami; Richard Ruh**, both of San Jose, Calif.

[73] Assignee: **Hewlett-Packard Company**, Palo Alto, Calif.

[\*\*] Term: **14 Years**

[21] Appl. No.: **374,393**

[22] Filed: **Jun. 30, 1989**

[52] U.S. Cl. .... **D8/354; D8/382; D8/394**

[58] Field of Search ..... **D8/354, 382; D14/114; 248/205.1, 220.2, 224.3, 309.1, 305, 312, 313, 312.1; 250/231.14**

[56] **References Cited**

**U.S. PATENT DOCUMENTS**

- 4,620,091 10/1986 Zebisch ..... 250/231.14
- 4,625,109 11/1986 Nixon ..... 250/231.14
- 4,647,770 3/1987 Hoffman ..... 250/231.14
- 4,697,077 9/1987 Weber et al. .... 250/231.14 X

**OTHER PUBLICATIONS**

Hewlett-Packard Co. datasheet "HEDS-9700 series:

Small Optical Encoder Module Linear and Rotary". Jan., 1989.

*Primary Examiner*—Susan J. Lucas  
*Assistant Examiner*—H. Baynham

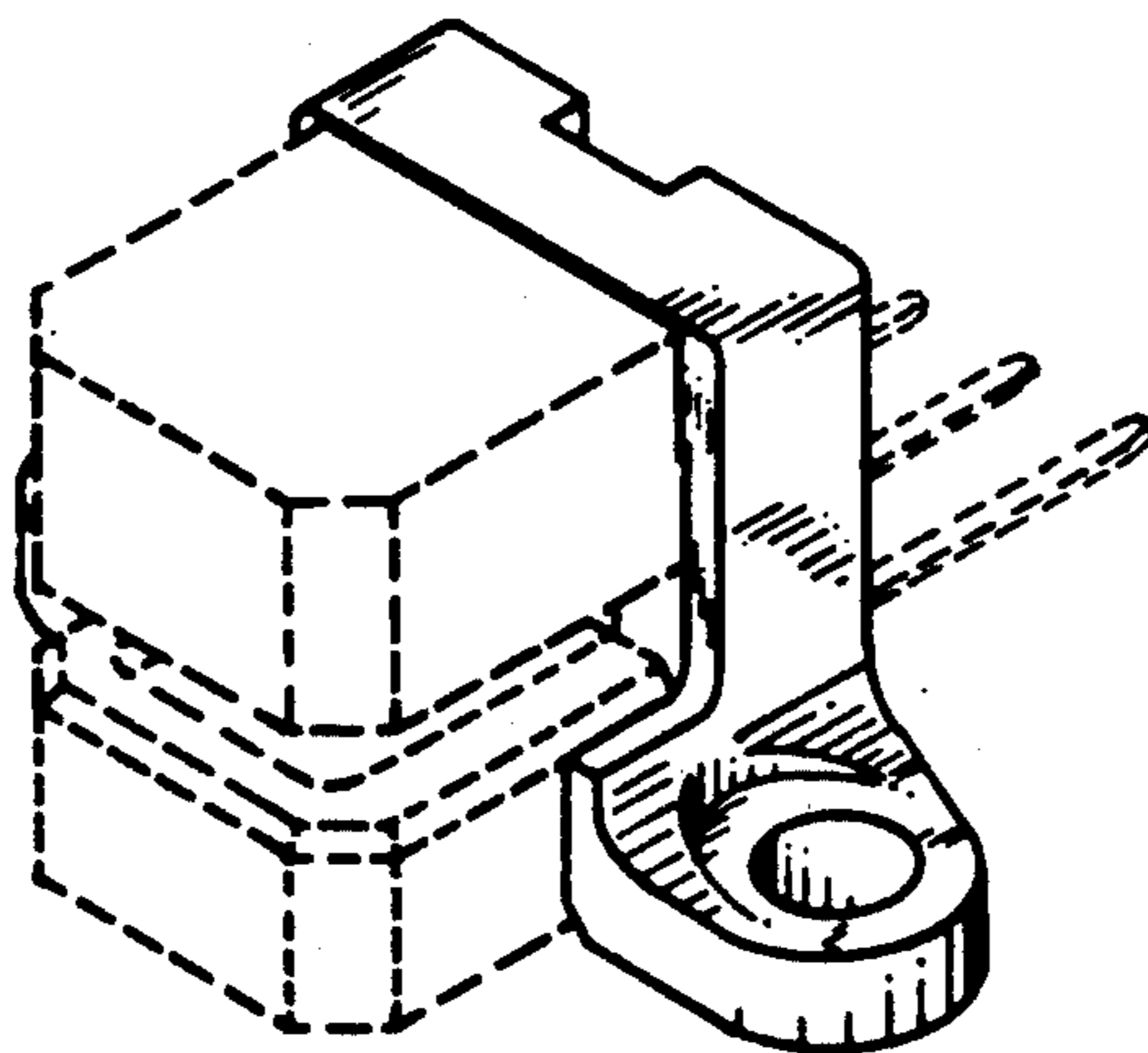
[57] **CLAIM**

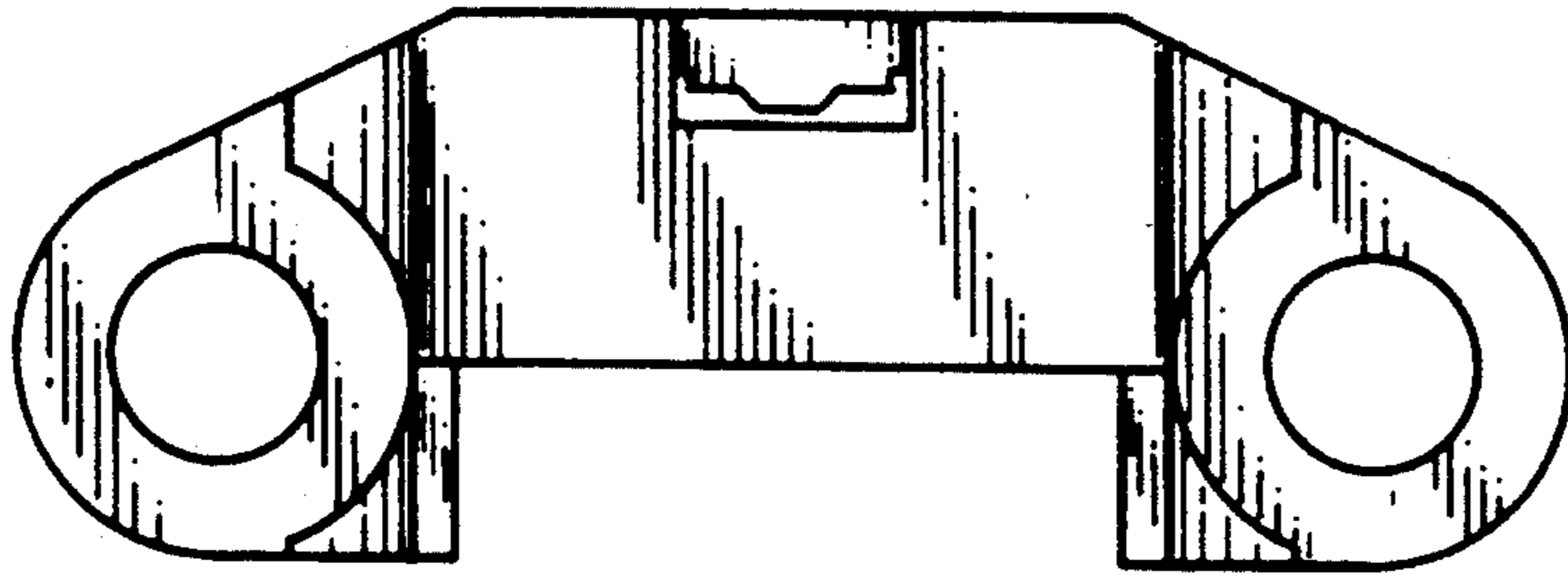
The ornamental design for an optical encoder bracket, as shown and described.

**DESCRIPTION**

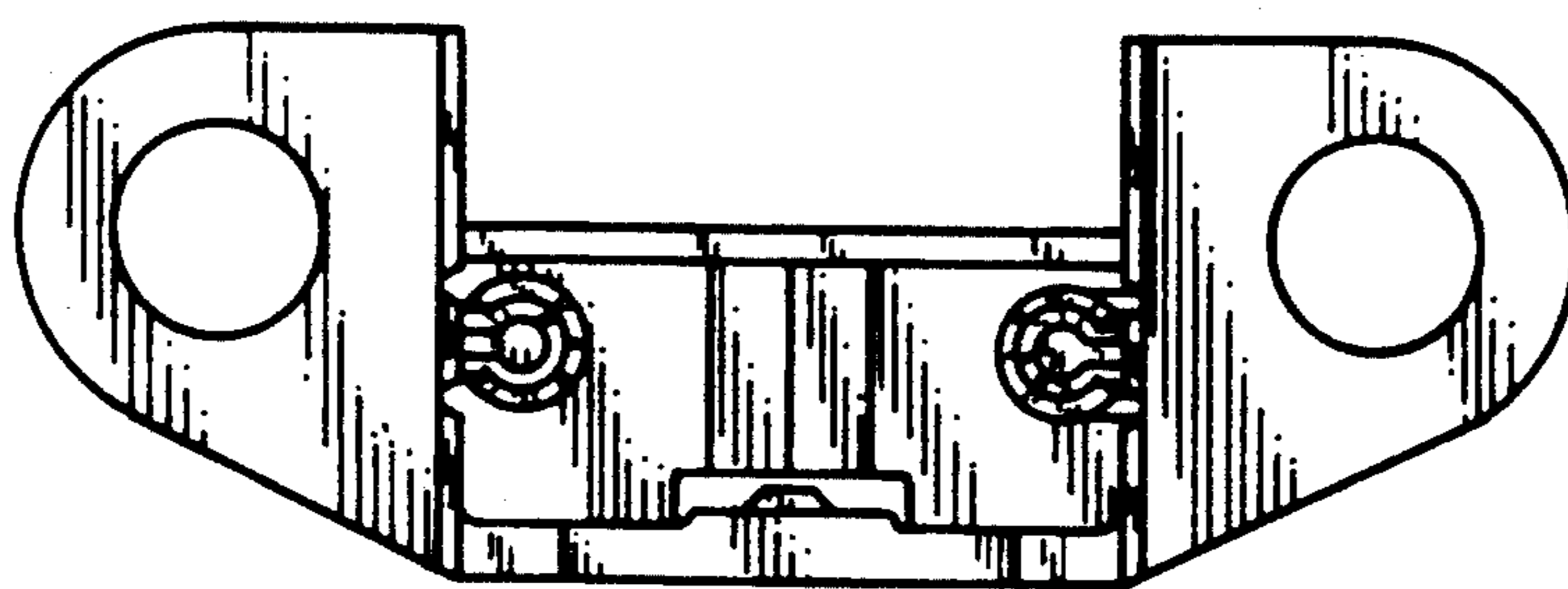
FIG. 1 is a top plan view of an optical encoder bracket showing our new design;  
 FIG. 2 is a bottom plan view thereof;  
 FIG. 3 is a front elevational view thereof;  
 FIG. 4 is a rear elevational thereof;  
 FIG. 5 is a right side elevational view thereof;  
 FIG. 6 is a left side elevational view thereof;  
 FIG. 7 is an exploded perspective view of the optical encoder bracket detached from an optical encoder module;  
 FIG. 8 is a perspective view thereof shown attached to the encoder module;  
 FIG. 9 is a front perspective view thereof; and,  
 FIG. 10 is a rear perspective view thereof.

The broken line showing of the optical encoder module in FIGS. 7 and 8 is for illustrative purposes only and forms no part of the claimed design.

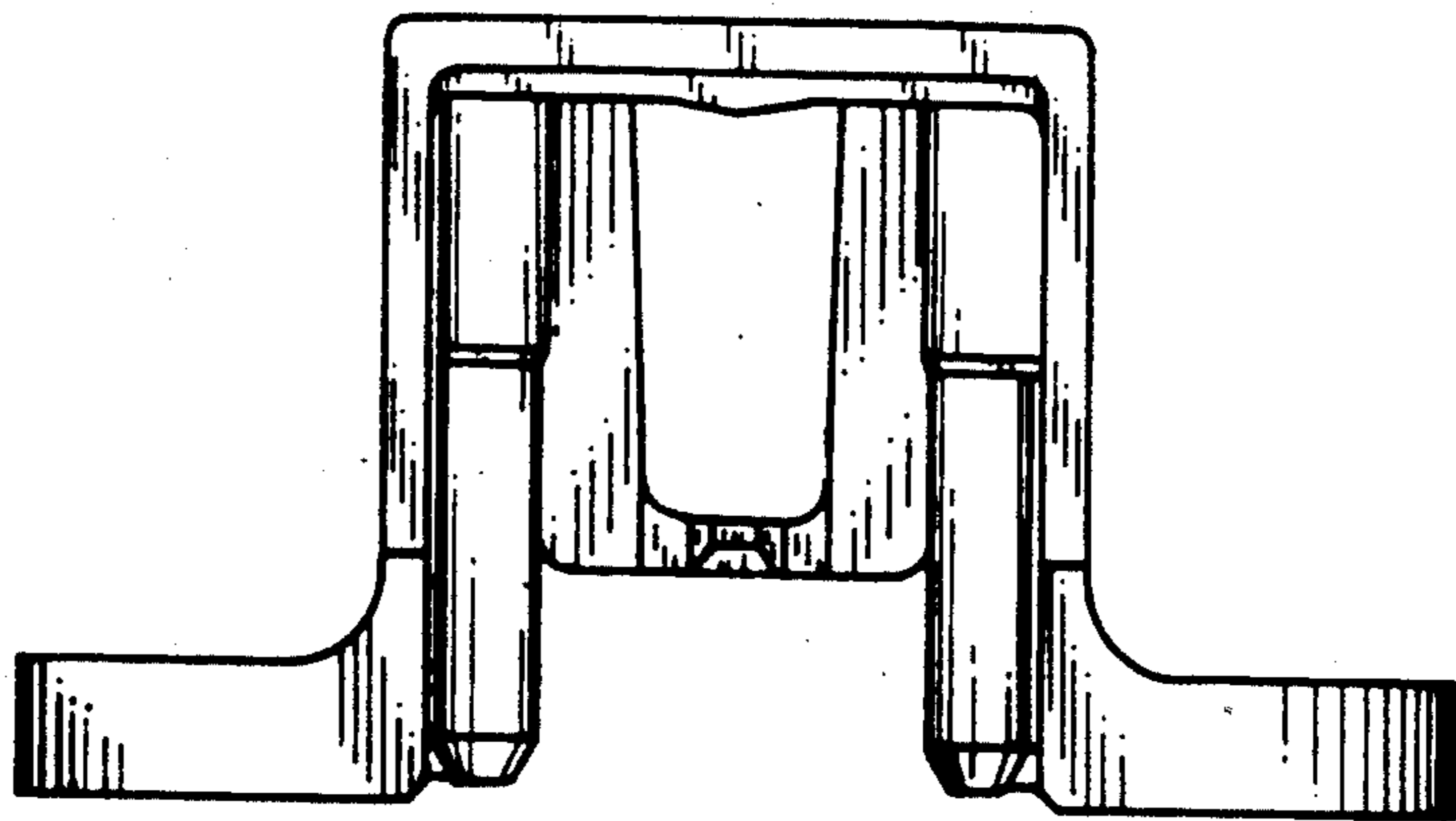




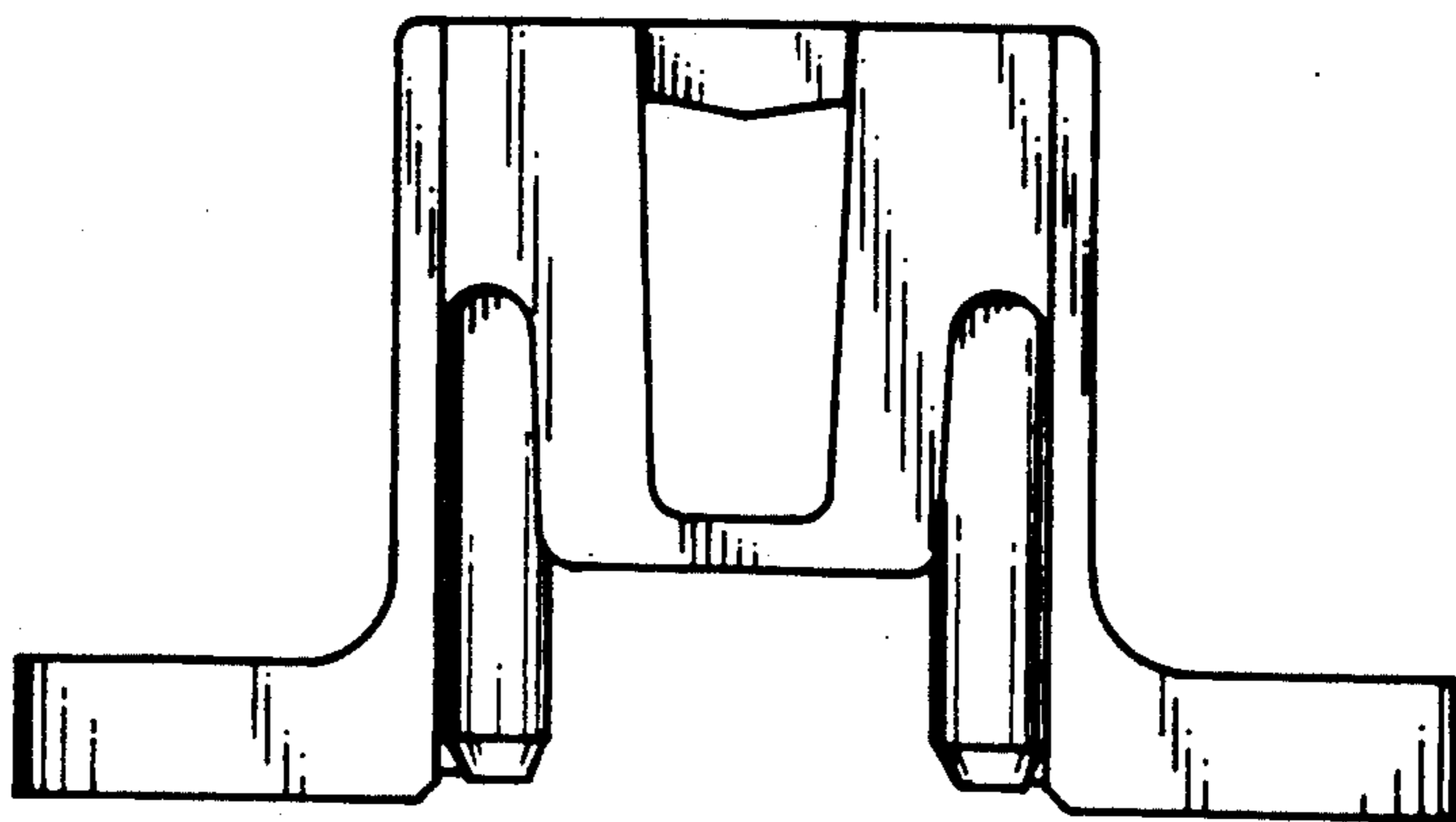
FIG\_1



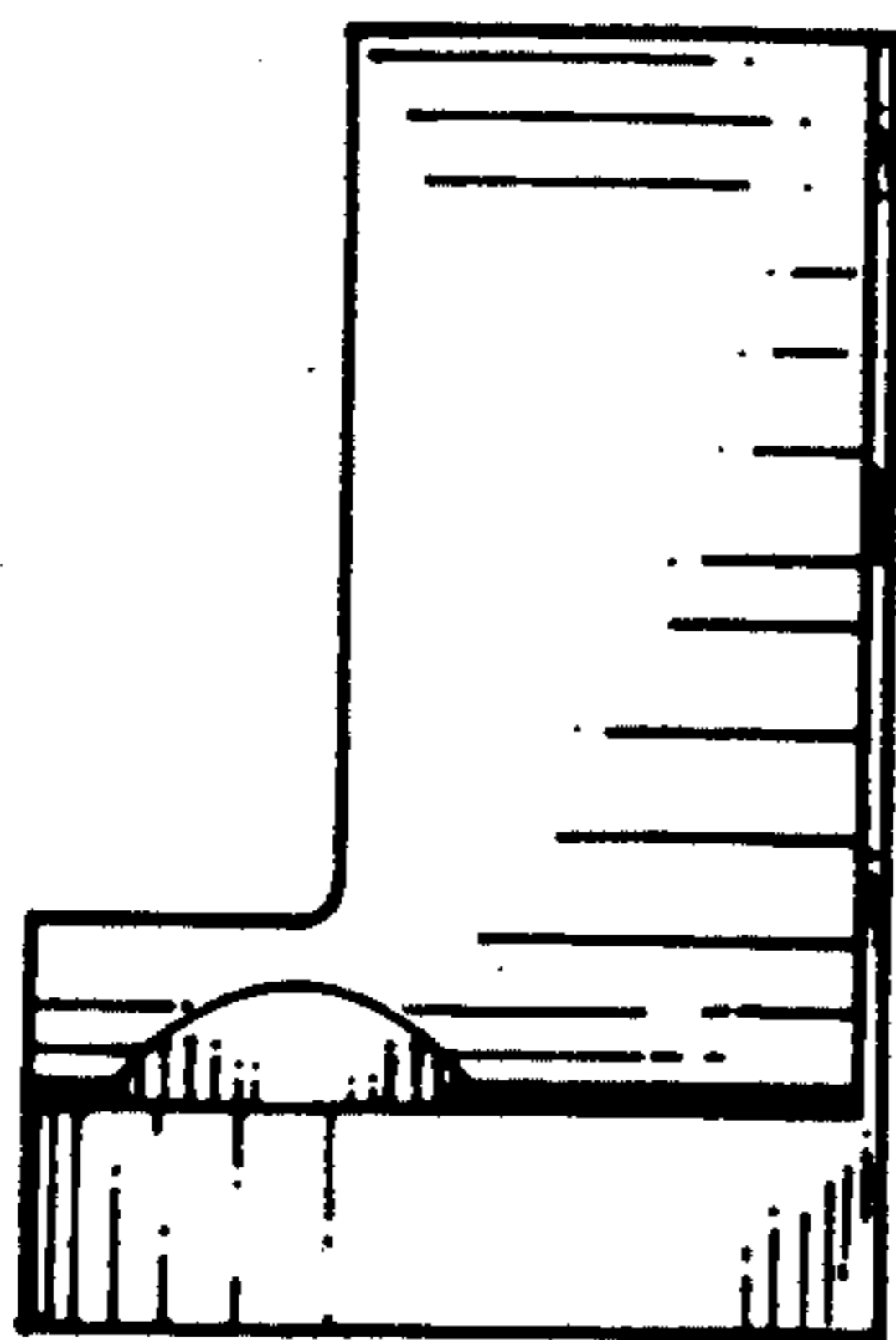
FIG\_2



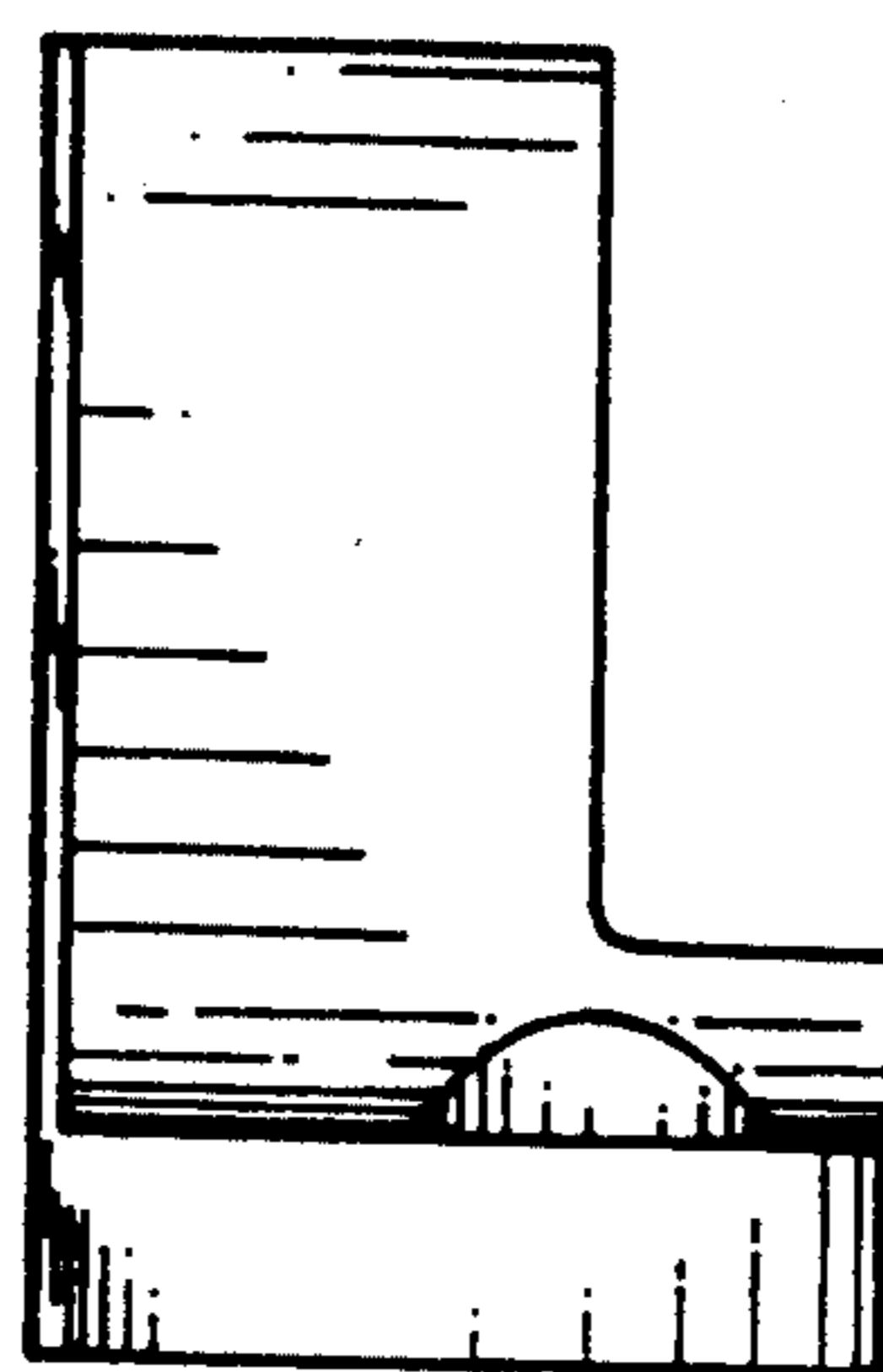
FIG\_3



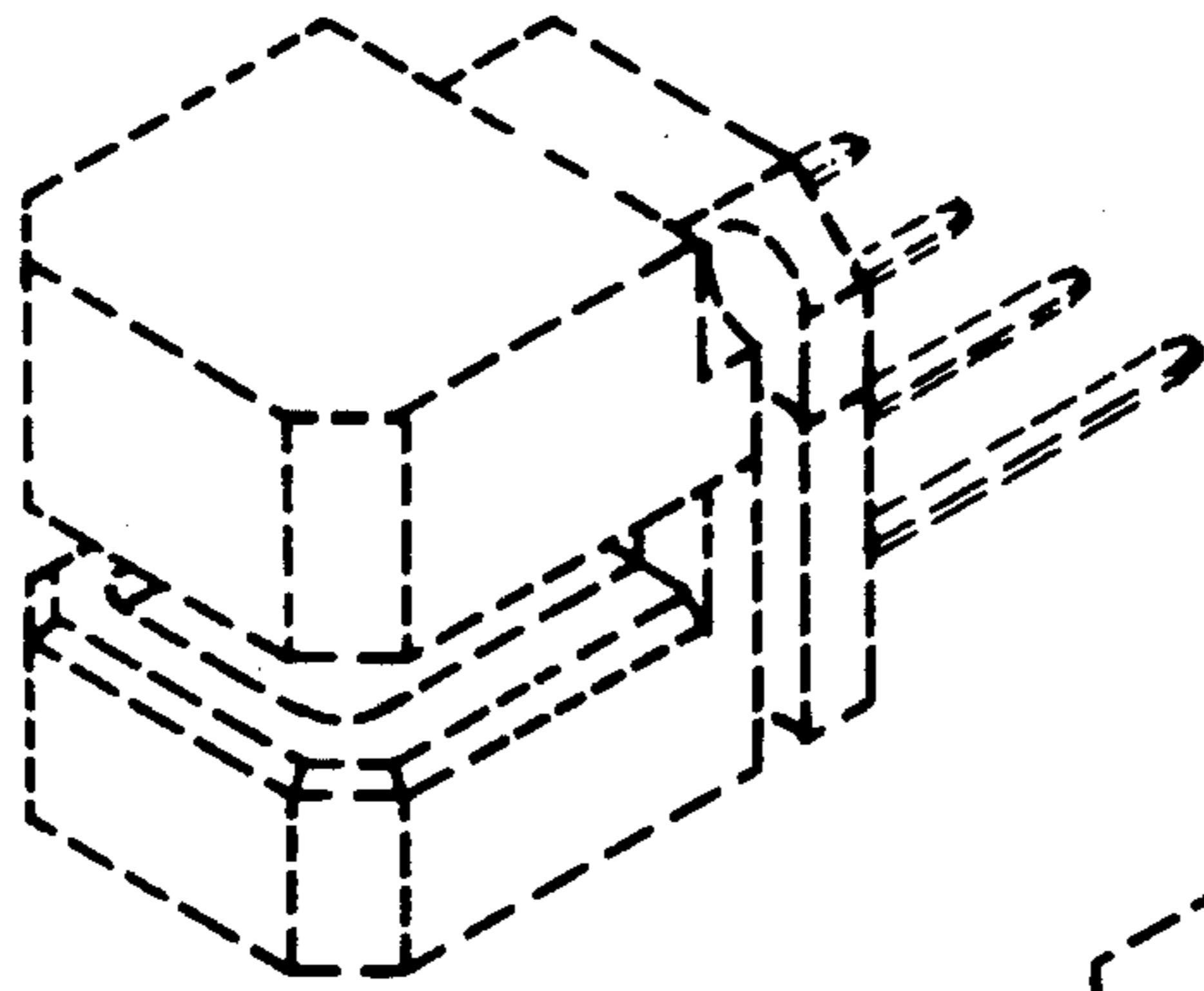
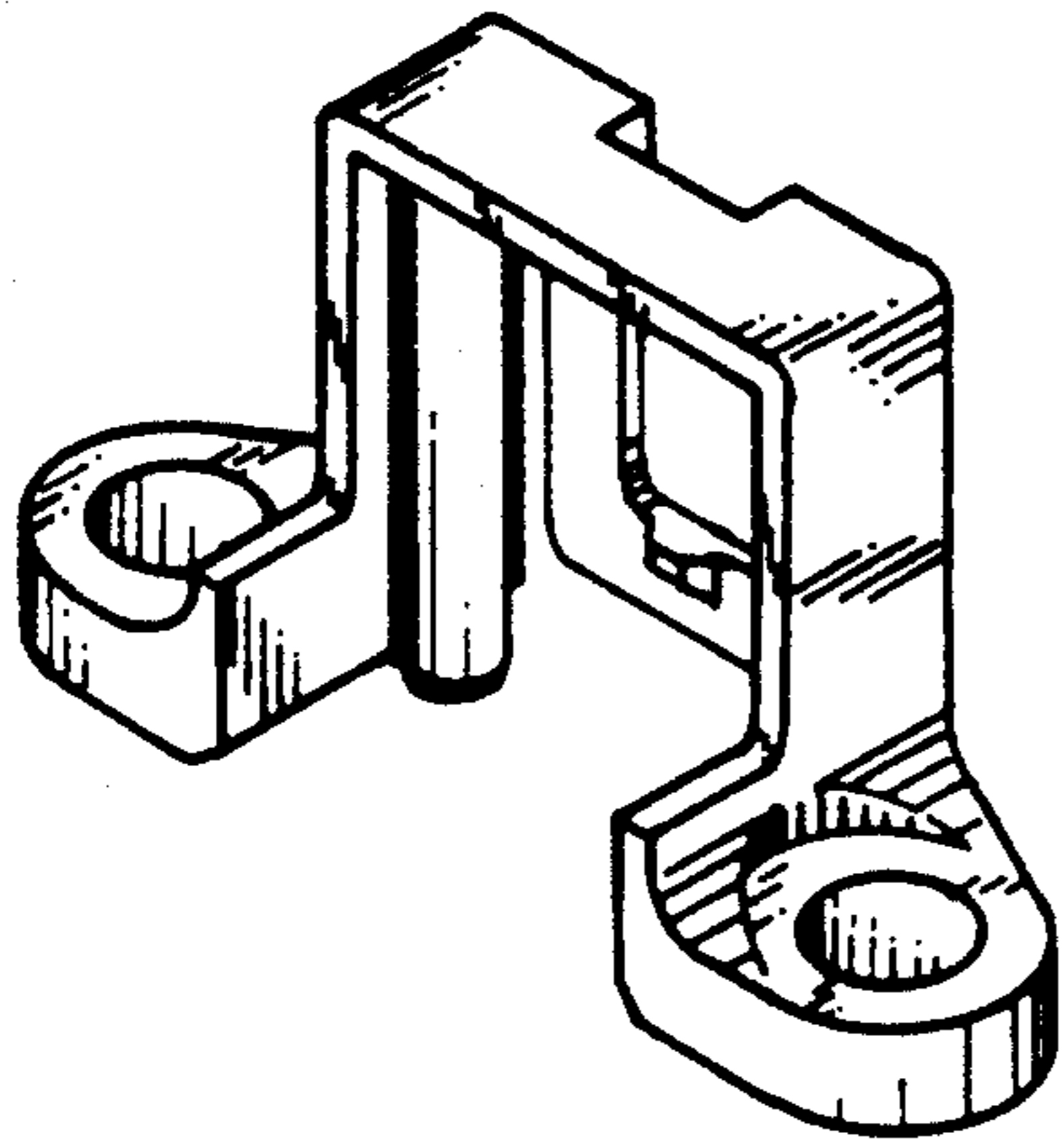
FIG\_4



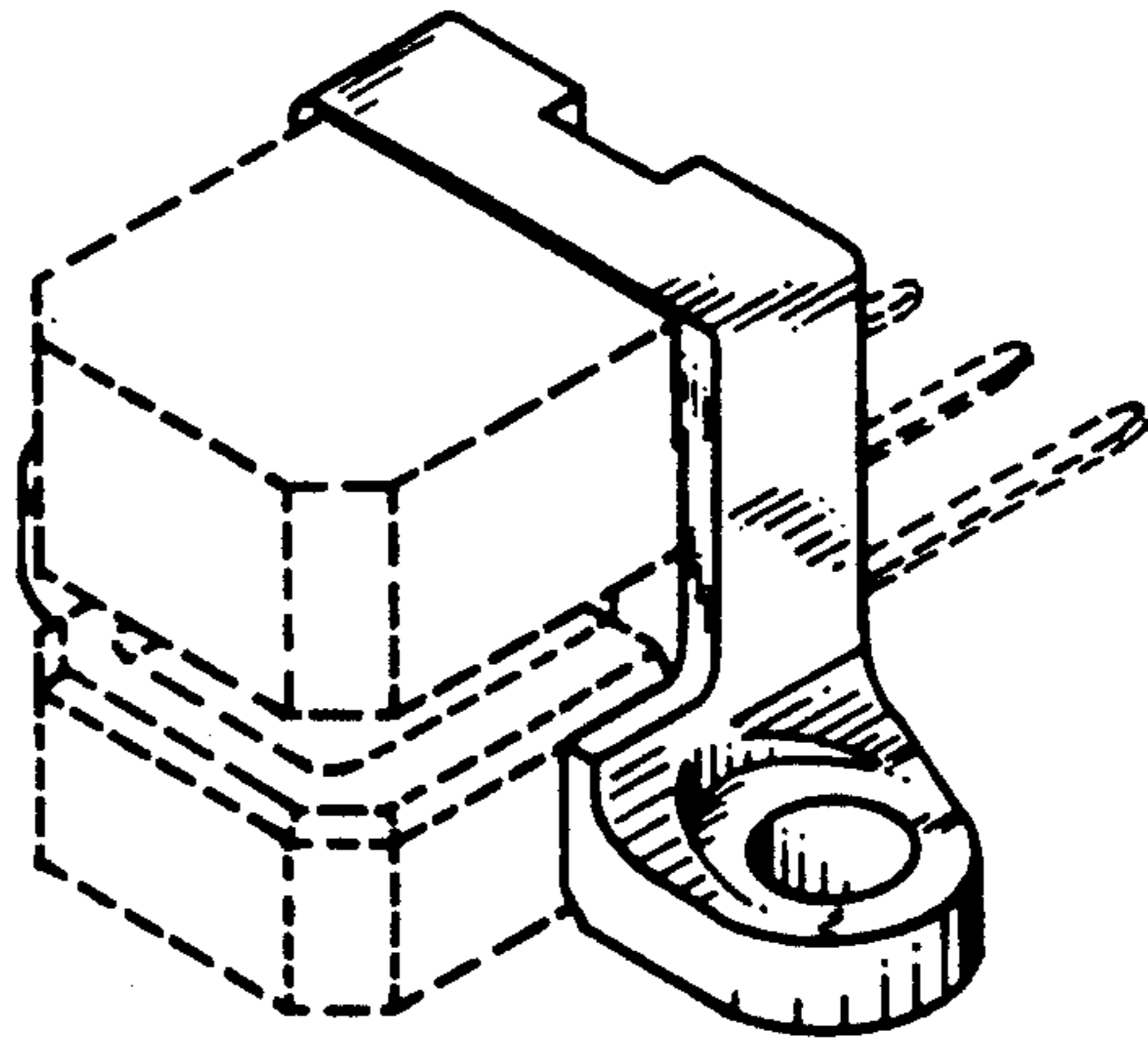
FIG\_5



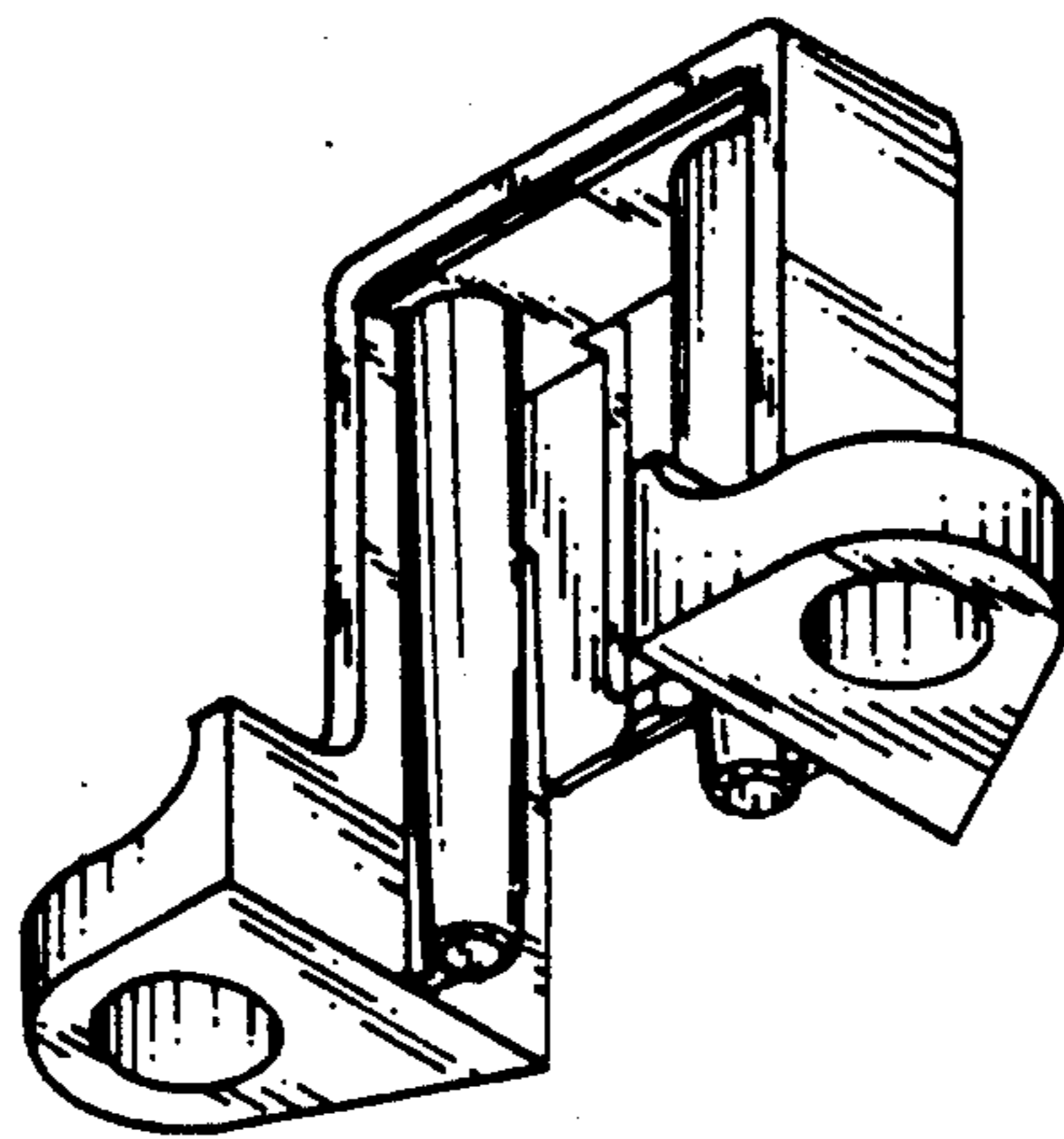
FIG\_6



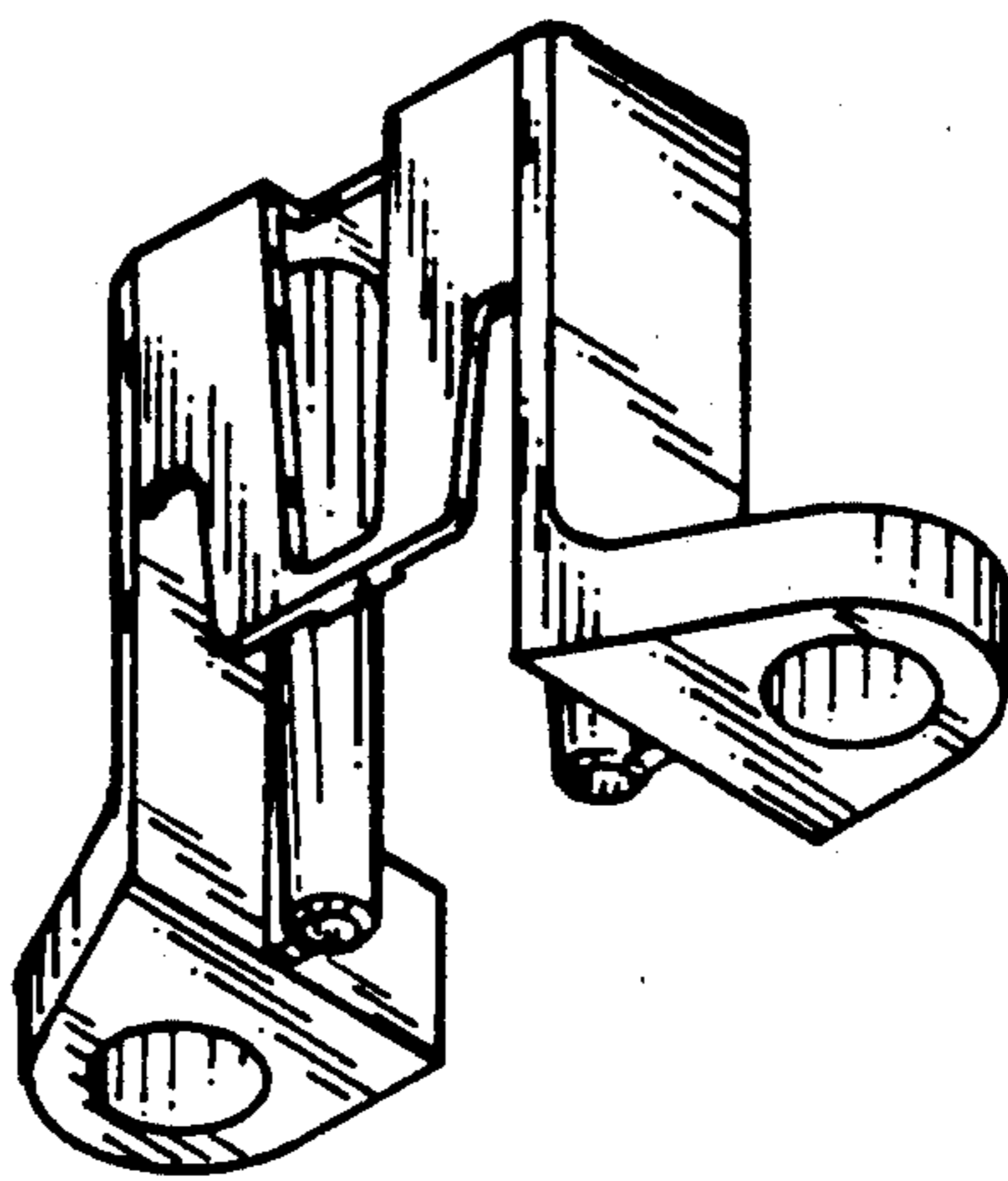
FIG\_7



FIG\_8



FIG\_ 9



FIG\_ 10