



US00D329192S

United States Patent [19]

[11] Patent Number: **Des. 329,192**

Susac

[45] Date of Patent: **** Sep. 8, 1992**

[54] ARTICLE MOUNTING SUPPORT UNIT

FOREIGN PATENT DOCUMENTS

[76] Inventor: **Andrija Susac**, 53 Manbari Crescent, Wanneroo, Western Australia, Australia, 6065

701081 3/1931 France 248/223.4
831824 3/1960 United Kingdom 248/224.3

[**] Term: **14 Years**

Primary Examiner—Wallace R. Burke
Assistant Examiner—H. Baynham
Attorney, Agent, or Firm—Eckert Seamans Cherin & Mellott

[21] Appl. No.: **672,586**

[57] CLAIM

[22] Filed: **Mar. 19, 1991**

The ornamental design for an article mounting support unit, as shown and described.

[52] U.S. Cl. **D8/349; D8/354; D8/353**

DESCRIPTION

[58] Field of Search **D8/349, 353, 373; 248/188.2, 73, 220.3, 312.1, 224.3, 223.4; 384/626; 411/522, 537, 546, 539**

FIG. 1 is a perspective view of an article mounting support unit showing my new design;
FIG. 2 is a front perspective view of the mounting disk removed from the base plate;

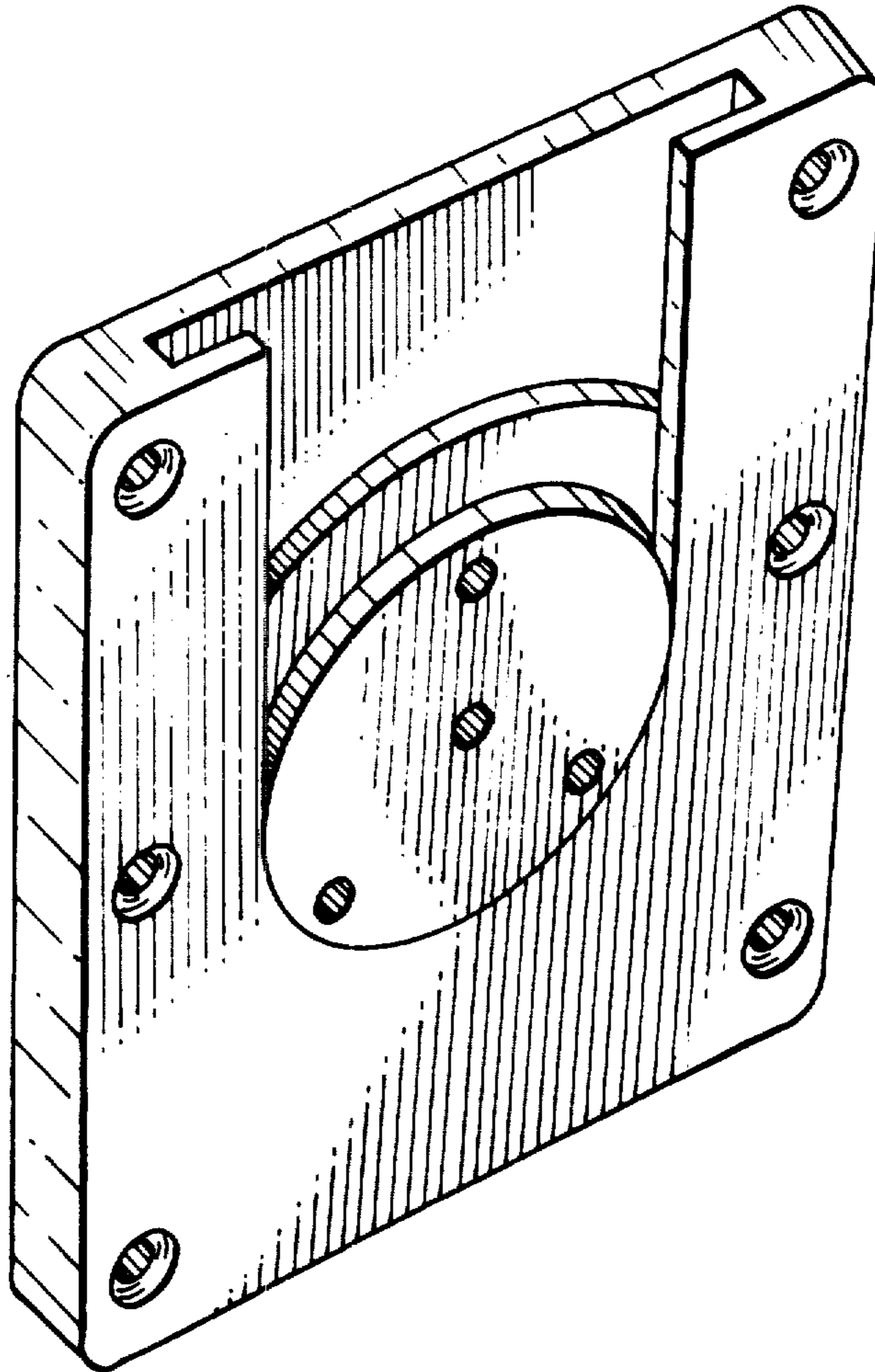
[56] References Cited

U.S. PATENT DOCUMENTS

1,949,114 2/1934 Darrach **D8/354 X**
2,244,427 6/1941 Miller **411/522 X**

FIG. 3 is a rear perspective view thereof;
FIG. 4 is a front perspective view of the base plate with the disk removed; and,
FIG. 5 is a rear perspective view thereof.

The disk element and base plate are shown separately in **FIGS. 2 to 5** for clarity of illustration only.



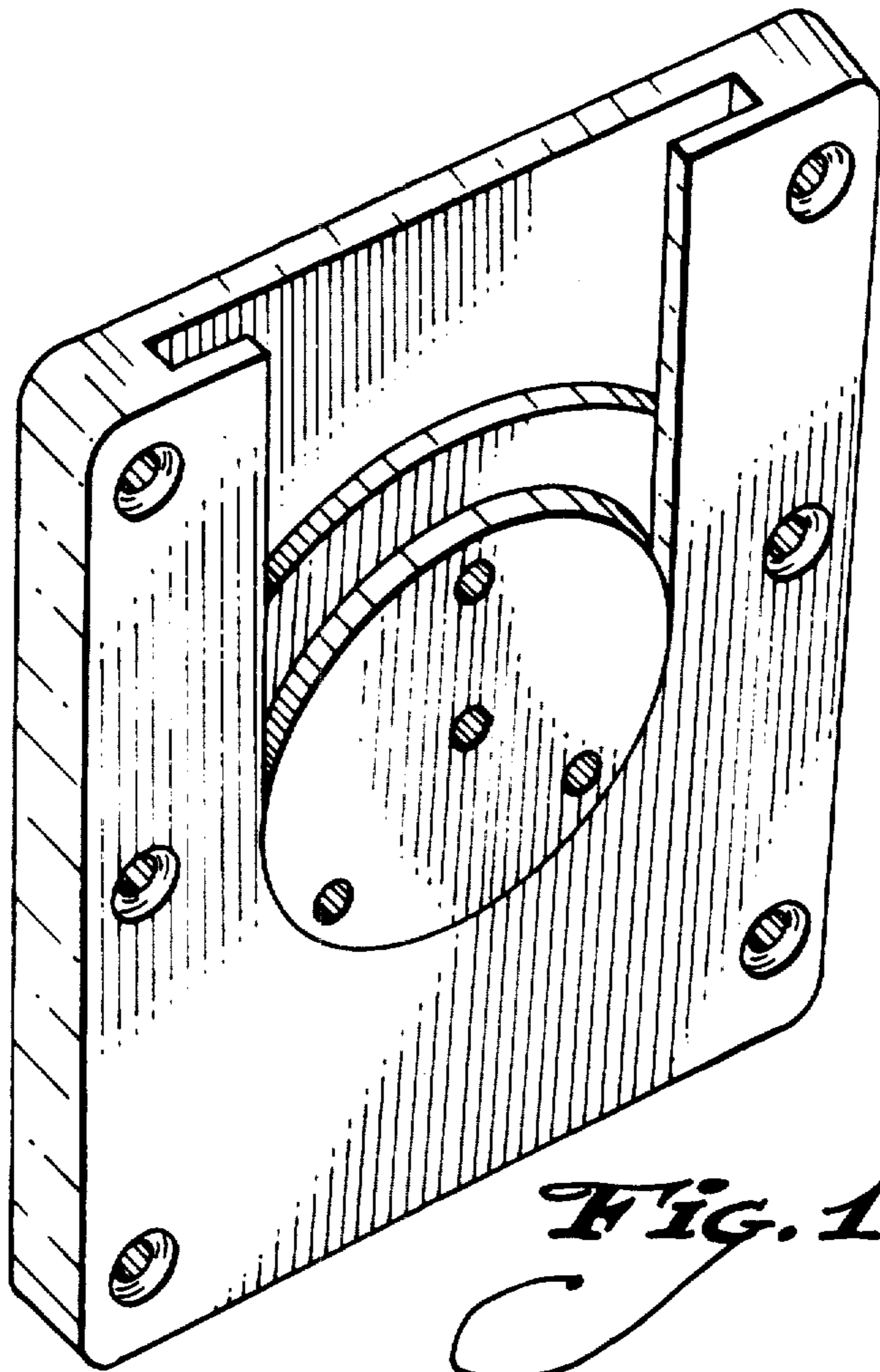


Fig. 1.

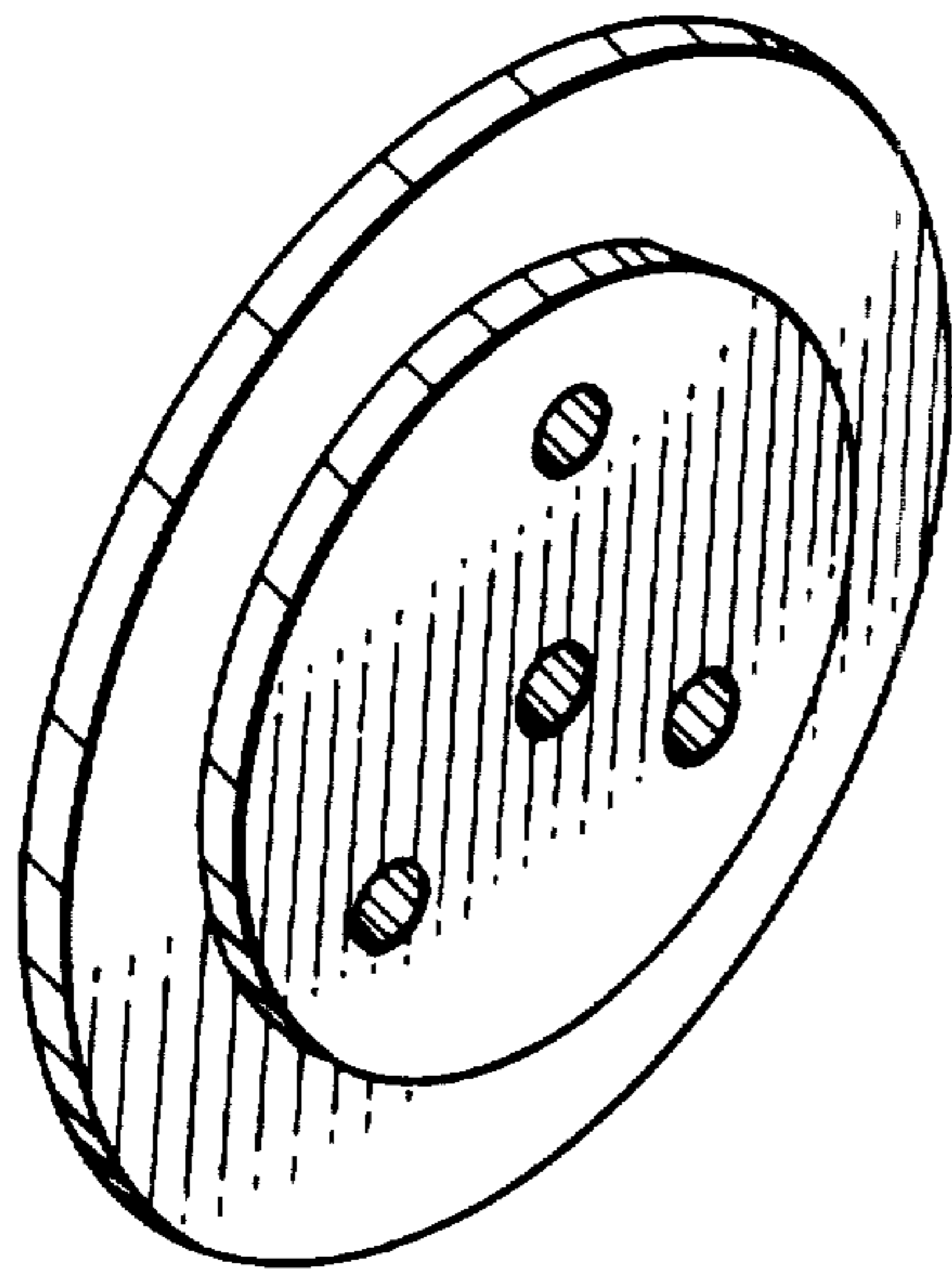


Fig. 2.

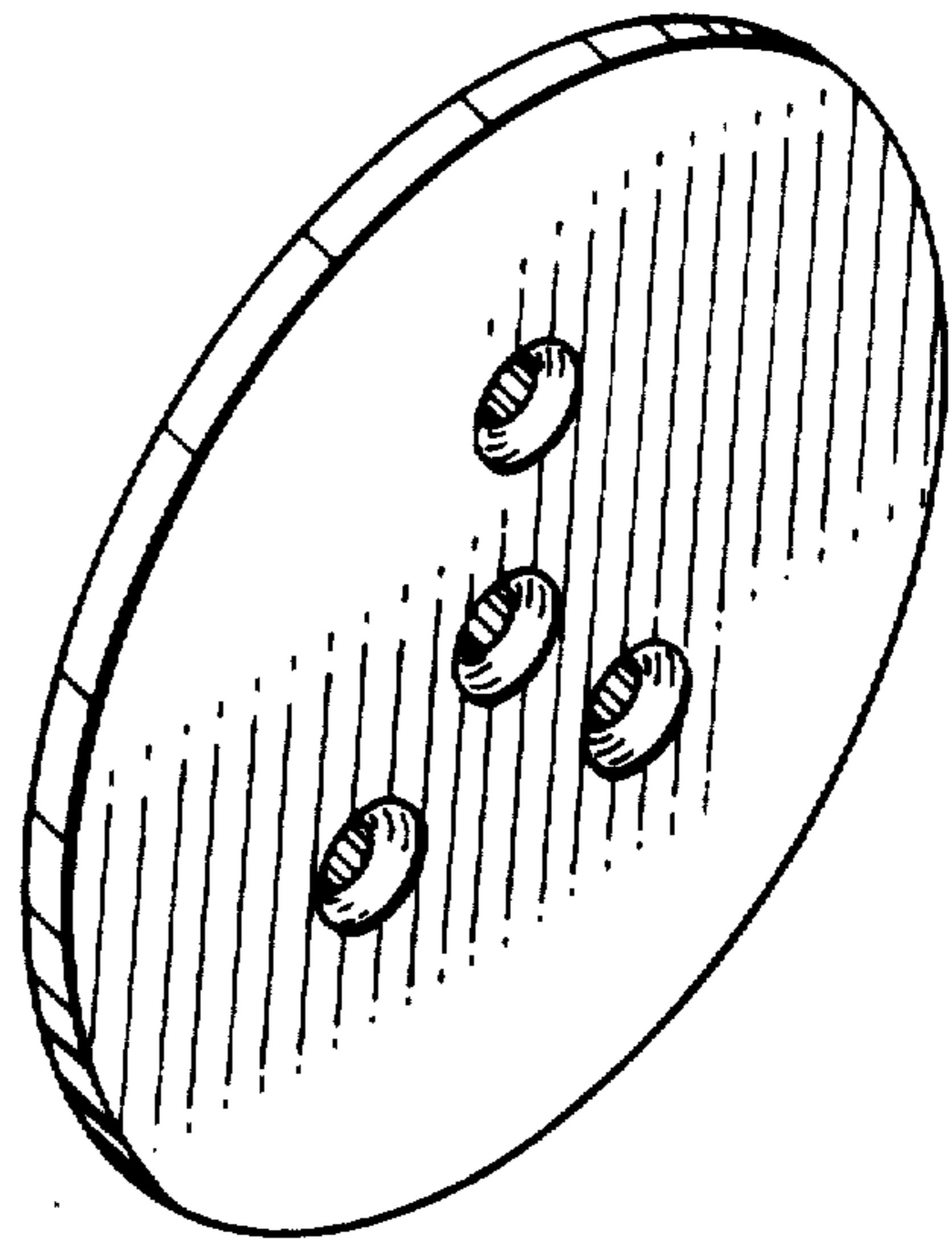


Fig. 3.

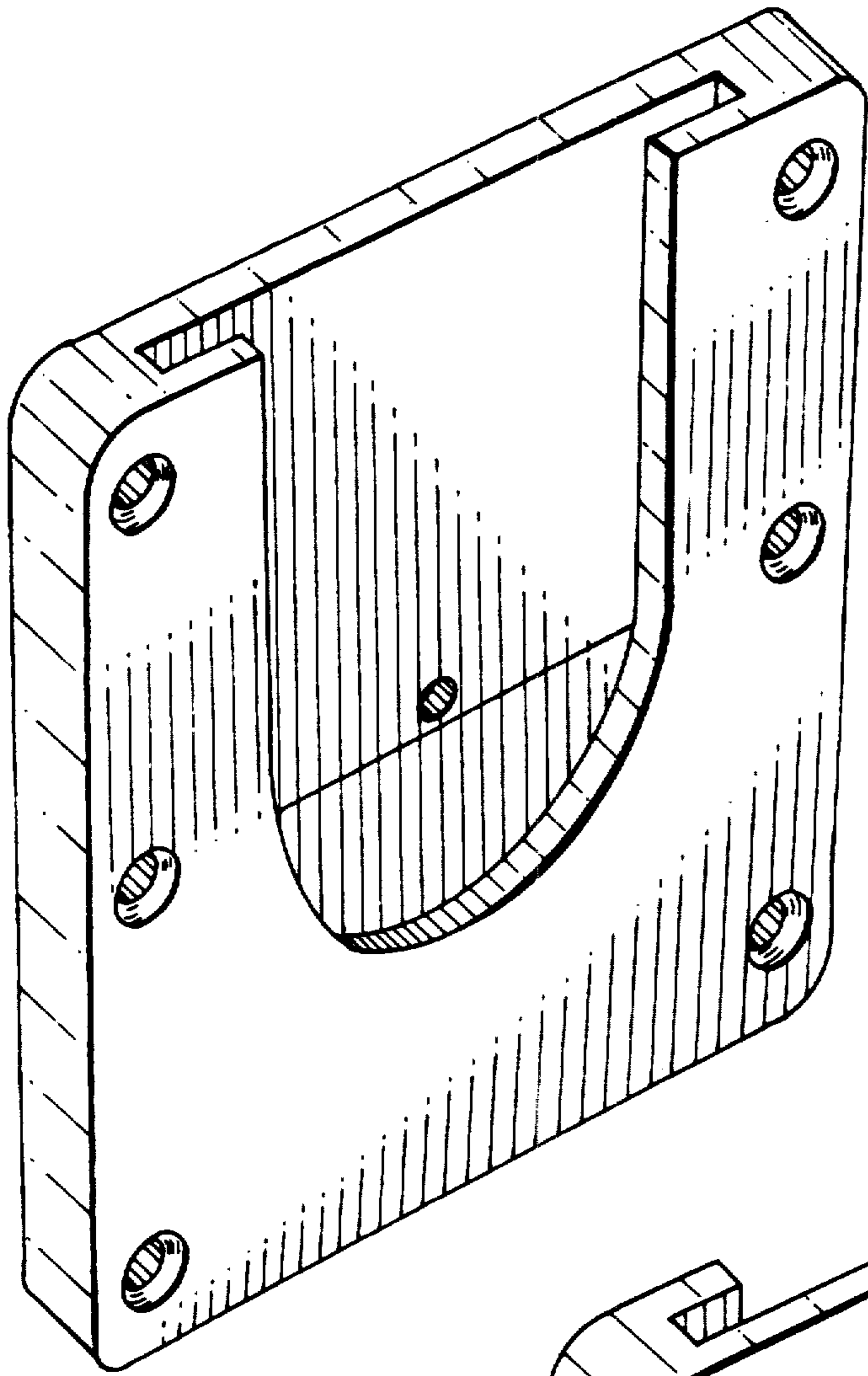


Fig. 4.

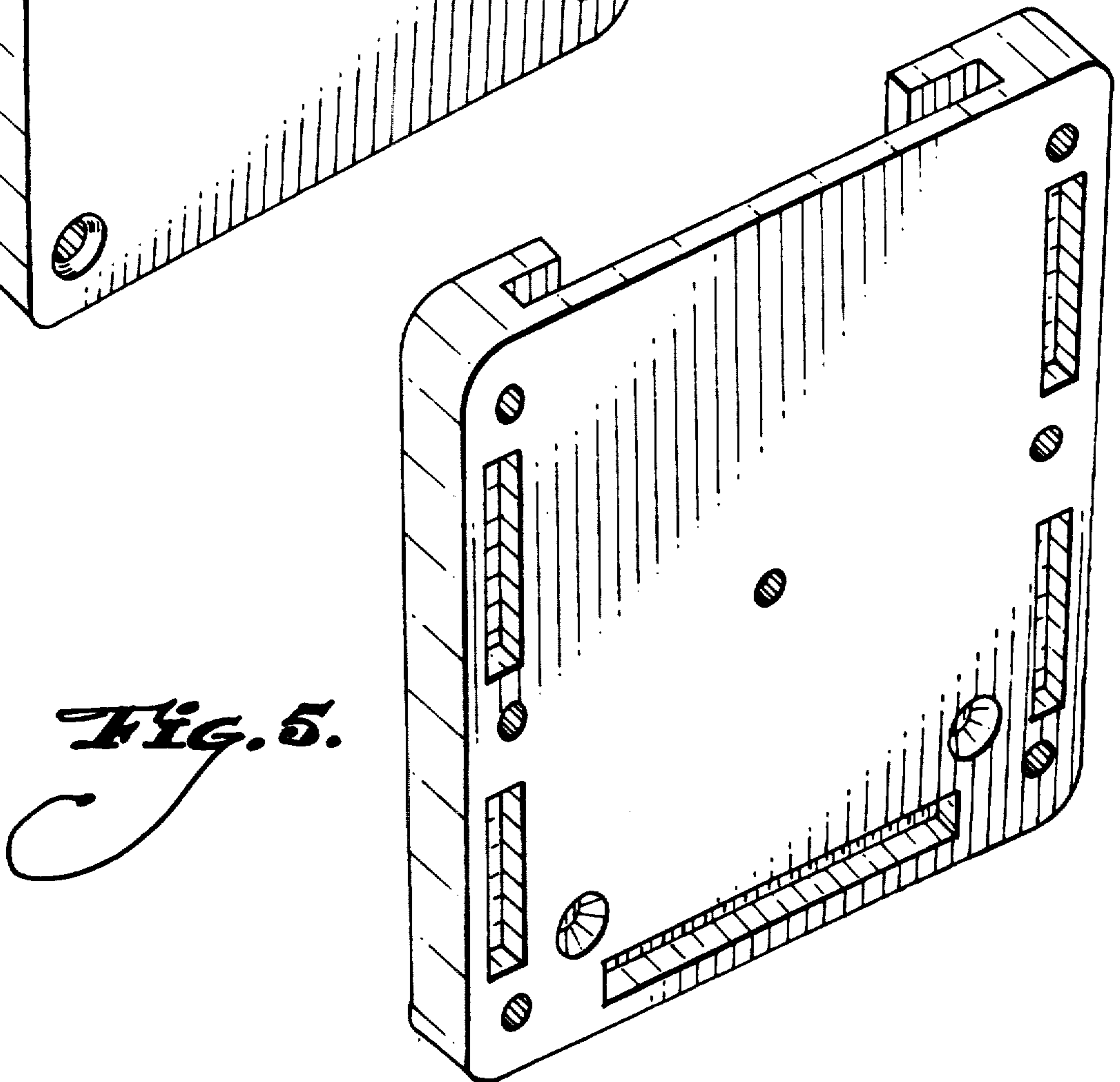


Fig. 5.