



US00D329188S

# United States Patent [19]

[11] Patent Number: **Des. 329,188**

**Paul**

[45] Date of Patent: **\*\* Sep. 8, 1992**

[54] **HANDLE**

[75] Inventor: **Stanley M. Paul, Greenwich, Conn.**

[73] Assignee: **Paul Associates, Inc., Long Island City, N.Y.**

[\*\*] Term: **14 Years**

[21] Appl. No.: **526,315**

[22] Filed: **May 18, 1990**

[52] U.S. Cl. .... **D8/308; D23/252**

[58] Field of Search ..... **D8/300, 301, 307, 308, D8/352; 16/110 R, 111 R, DIG. 30; D23/250, 252, 254**

[56] **References Cited**

**U.S. PATENT DOCUMENTS**

- D. 290,336 6/1987 Paul ..... D8/308
- D. 312,497 11/1990 Paul ..... D8/307
- D. 320,434 10/1991 Rawald ..... D23/252

**FOREIGN PATENT DOCUMENTS**

- 0420823 4/1991 European Pat. Off. .... 16/110 R
- 0614863 12/1948 United Kingdom ..... 16/111 R

*Primary Examiner*—**B. J. Bullock**  
*Attorney, Agent, or Firm*—**Darby & Darby**

[57] **CLAIM**

The ornamental design for a handle, as shown and described.

**DESCRIPTION**

FIG. 1 is a top perspective view of a handle showing my new design;  
 FIG. 2 is a top plan view thereof, the bottom plan view being a mirror image of the top plan shown;  
 FIG. 3 is a front elevational view thereof;  
 FIG. 4 is a rear elevational view thereof; and,  
 FIG. 5 is a right side elevational view thereof, the left side being a mirror image of the right side shown.

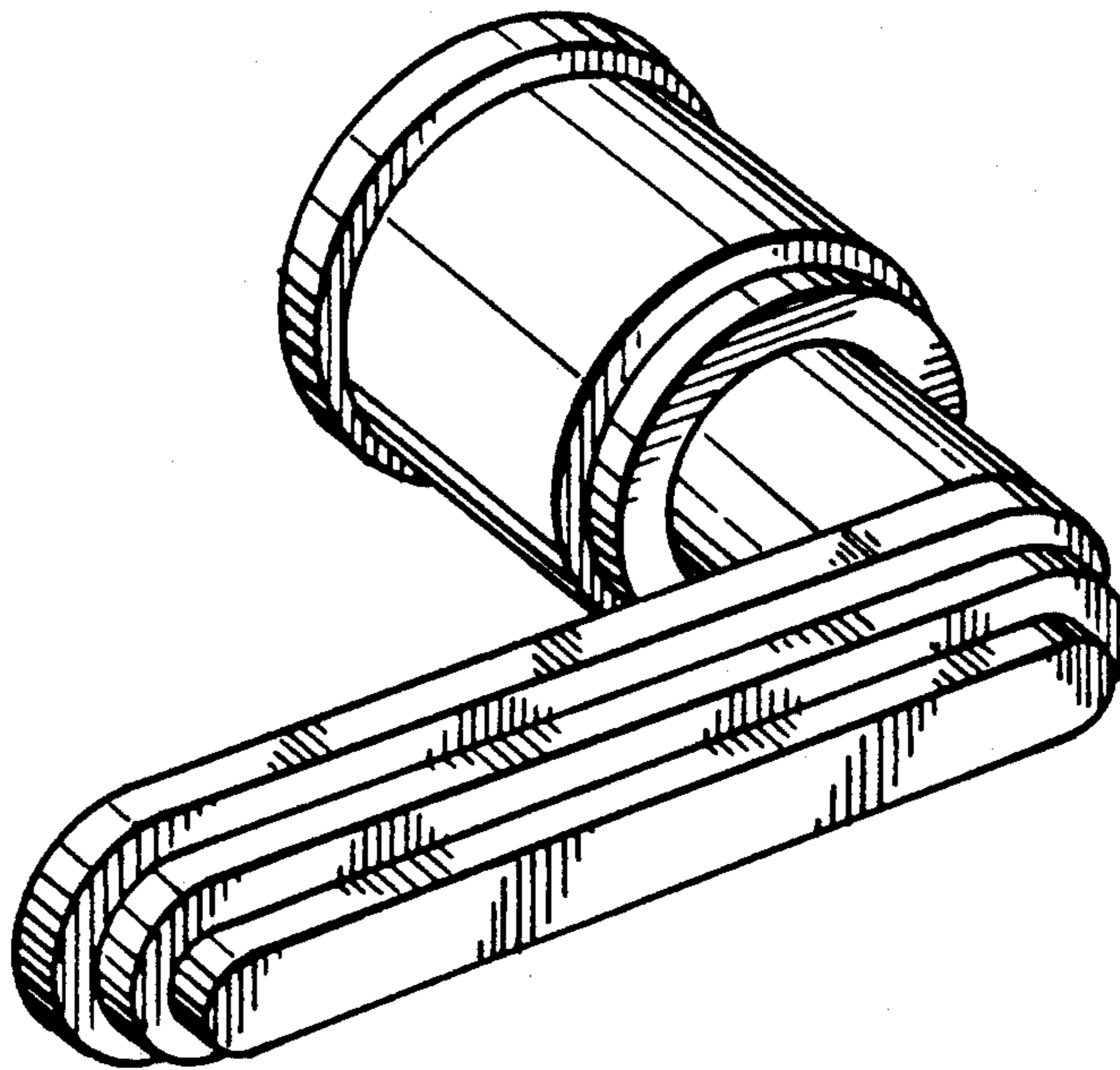


FIG. 1

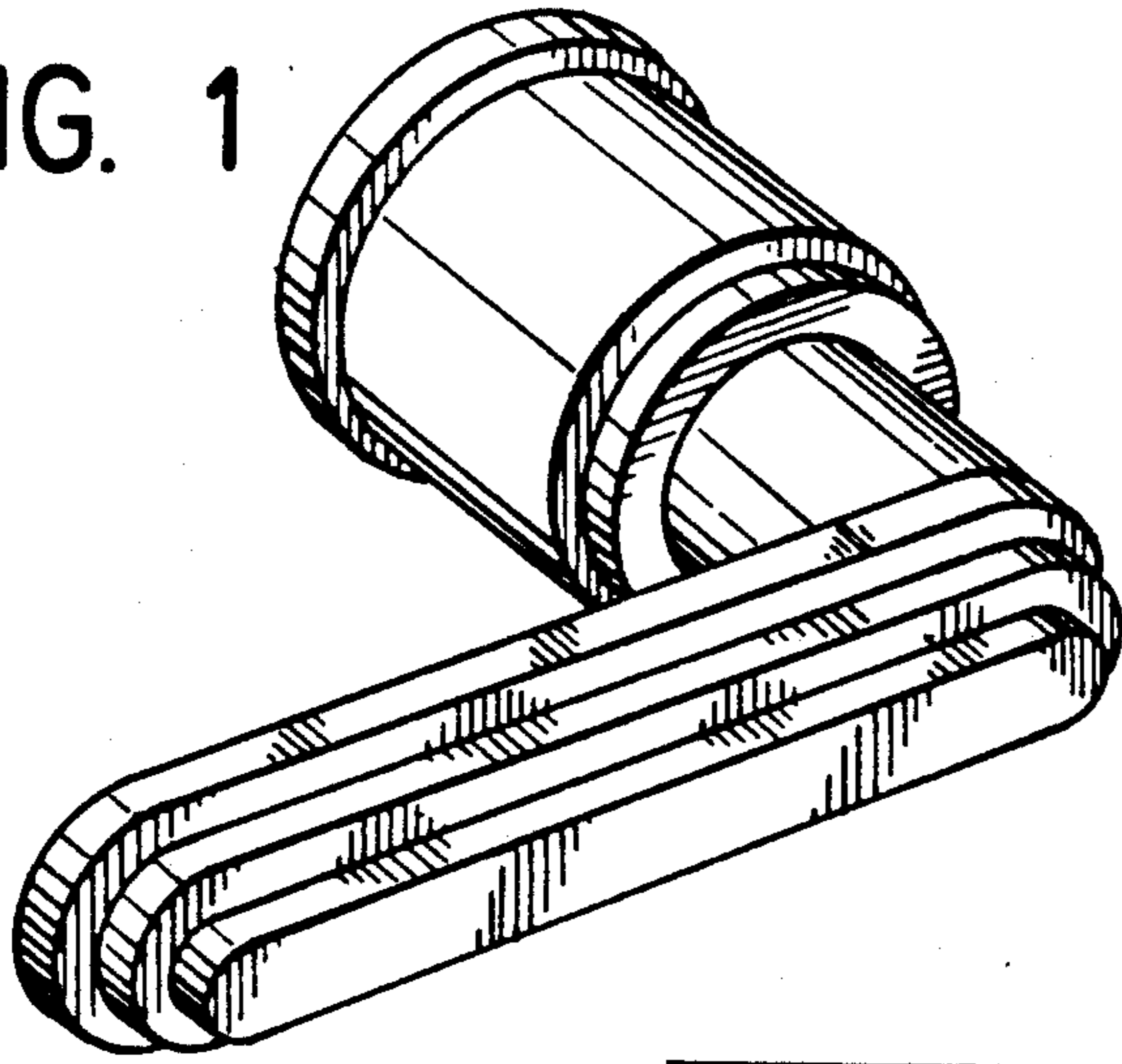


FIG. 2

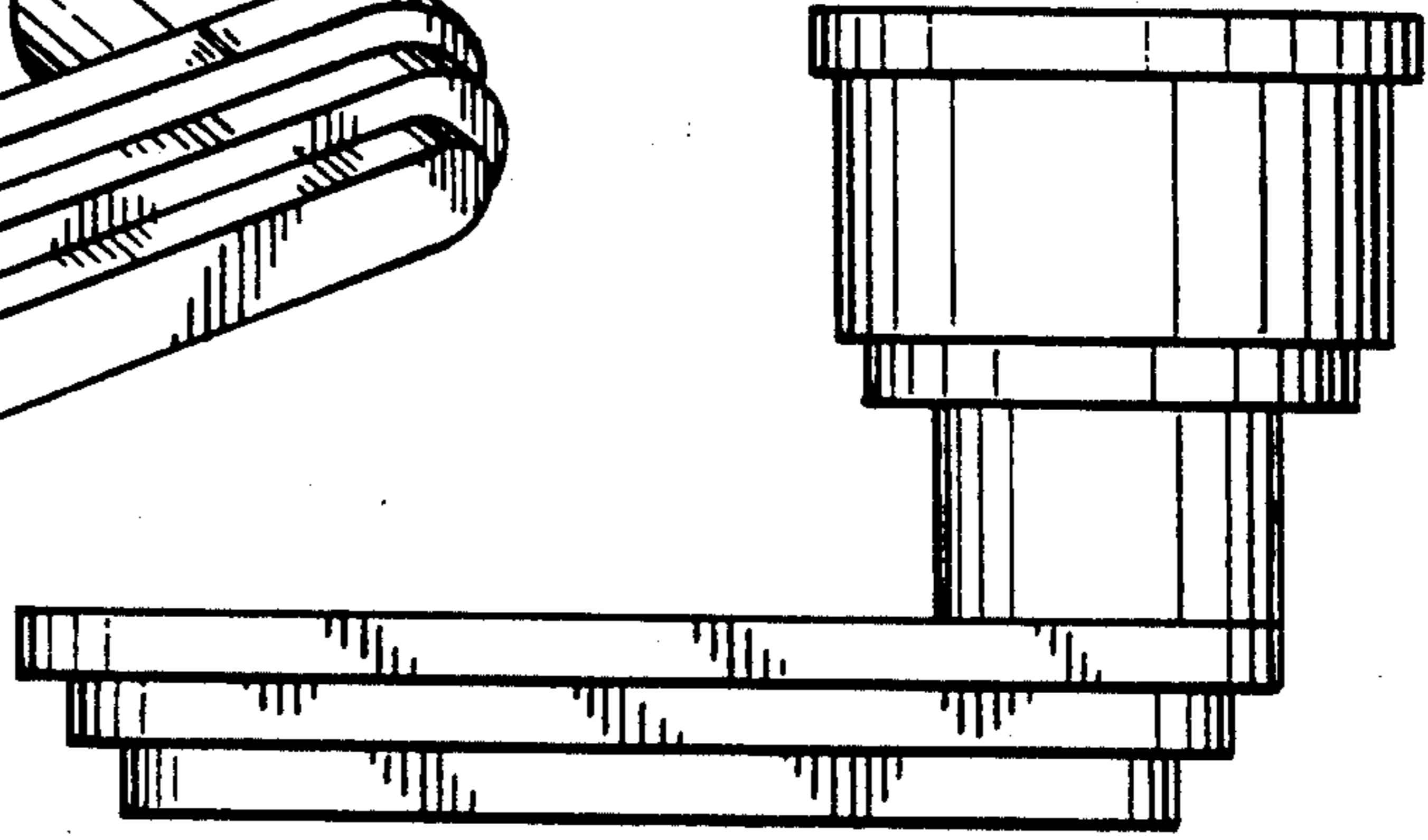


FIG. 3

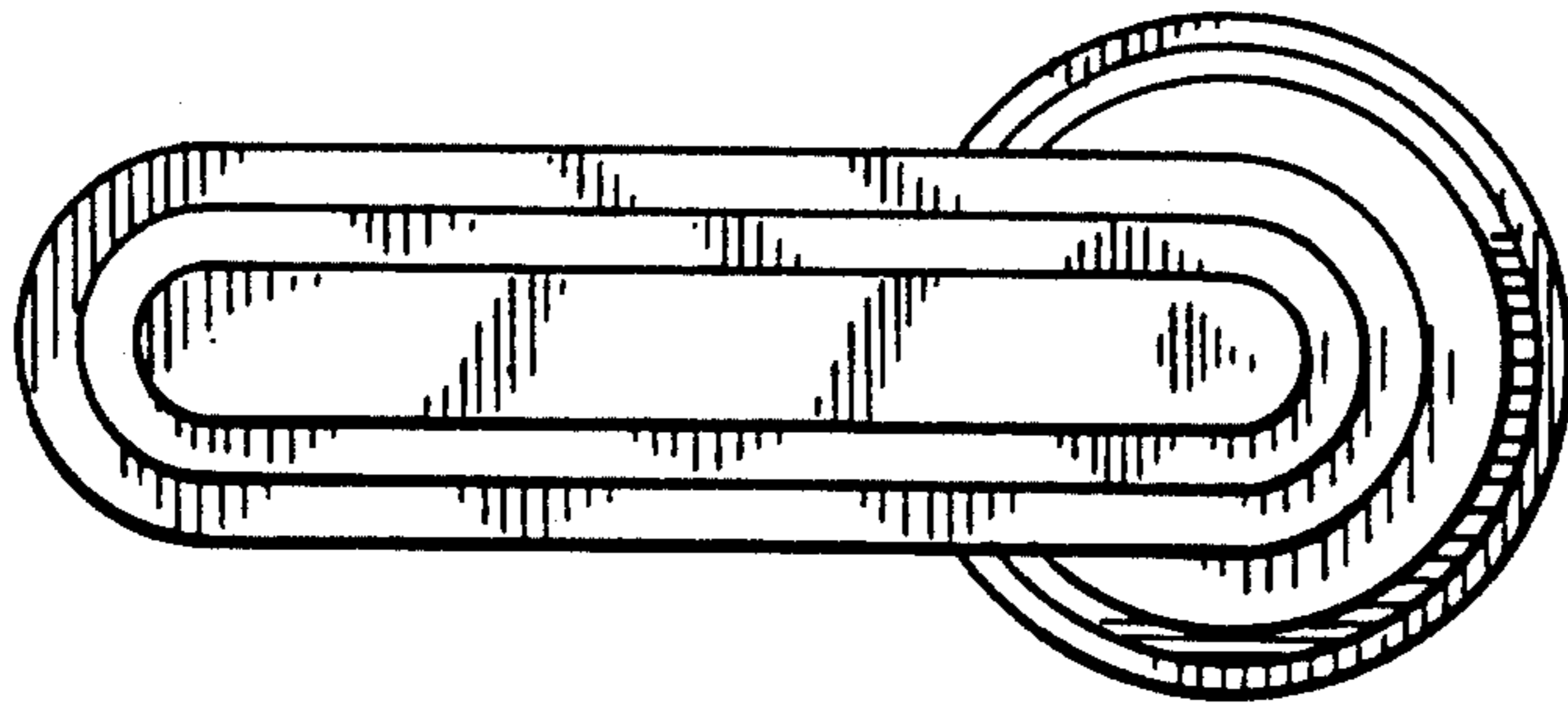


FIG. 4

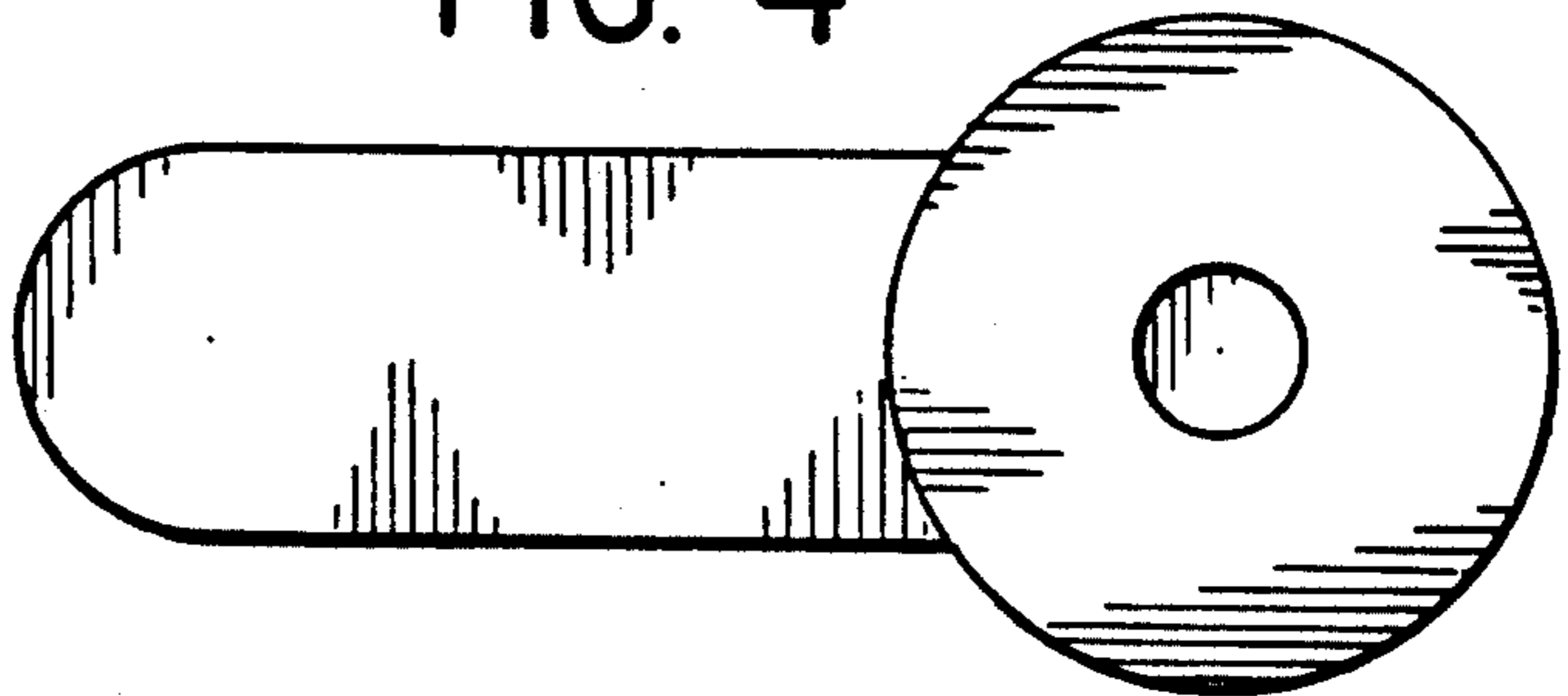


FIG. 5

