



US00D329185S

United States Patent [19]
Hasegawa

[11] **Patent Number: Des. 329,185**

[45] **Date of Patent: ** Sep. 8, 1992**

[54] **HANDLE FOR A KNIFE**

[75] **Inventor: Katsumi Hasegawa, Seki, Japan**

[73] **Assignee: Kai R&D Center Co., Ltd., Seki, Japan**

[**] **Term: 14 Years**

[21] **Appl. No.: 569,155**

[22] **Filed: Aug. 17, 1990**

[52] **U.S. Cl. D8/107**

[58] **Field of Search D8/98, 107; D7/649;
D22/118; 16/110 R; 30/151, 314, 315, 317, 346,
309**

[56] **References Cited**

U.S. PATENT DOCUMENTS

D. 233,122	10/1974	Fauzza	D8/107
D. 236,579	9/1975	Morhack	D8/107
D. 244,747	6/1977	Solf	D8/107
D. 260,071	8/1981	Weber	D7/649
D. 280,173	8/1985	Welch	D7/649
D. 284,537	7/1986	Pashley et al.	D7/649
D. 288,400	2/1987	Vosbikian	D7/649
D. 300,601	4/1989	Himbert et al.	D8/98
D. 303,748	10/1989	Yamagishi	D8/107
4,180,909	1/1980	Lind	D8/98

FOREIGN PATENT DOCUMENTS

0176486 2/1986 European Pat. Off. .

OTHER PUBLICATIONS

Best Cat., 84-85, pp. 184 and 185, Knives.

Primary Examiner—Bernard Ansher

Assistant Examiner—Philip Hyder

Attorney, Agent, or Firm—Oblon, Spivak, McClelland, Maier & Neustadt

[57] **CLAIM**

The ornamental design for a handle for a knife, as shown and described.

DESCRIPTION

FIG. 1 is a front elevational view of a handle for a knife showing my new design;

FIG. 2 is a top plan view thereof;

FIG. 3 is a bottom plan view thereof;

FIG. 4 is a left side elevational view thereof;

FIG. 5 is a right side elevational view thereof;

FIG. 6 is a cross-sectional view thereof taken along line 6-6 of FIG. 2;

FIG. 7 is a cross-sectional view thereof taken along line 7-7 of FIG. 1;

FIG. 8 is a cross-sectional view thereof taken along line 8-8 in FIG. 1;

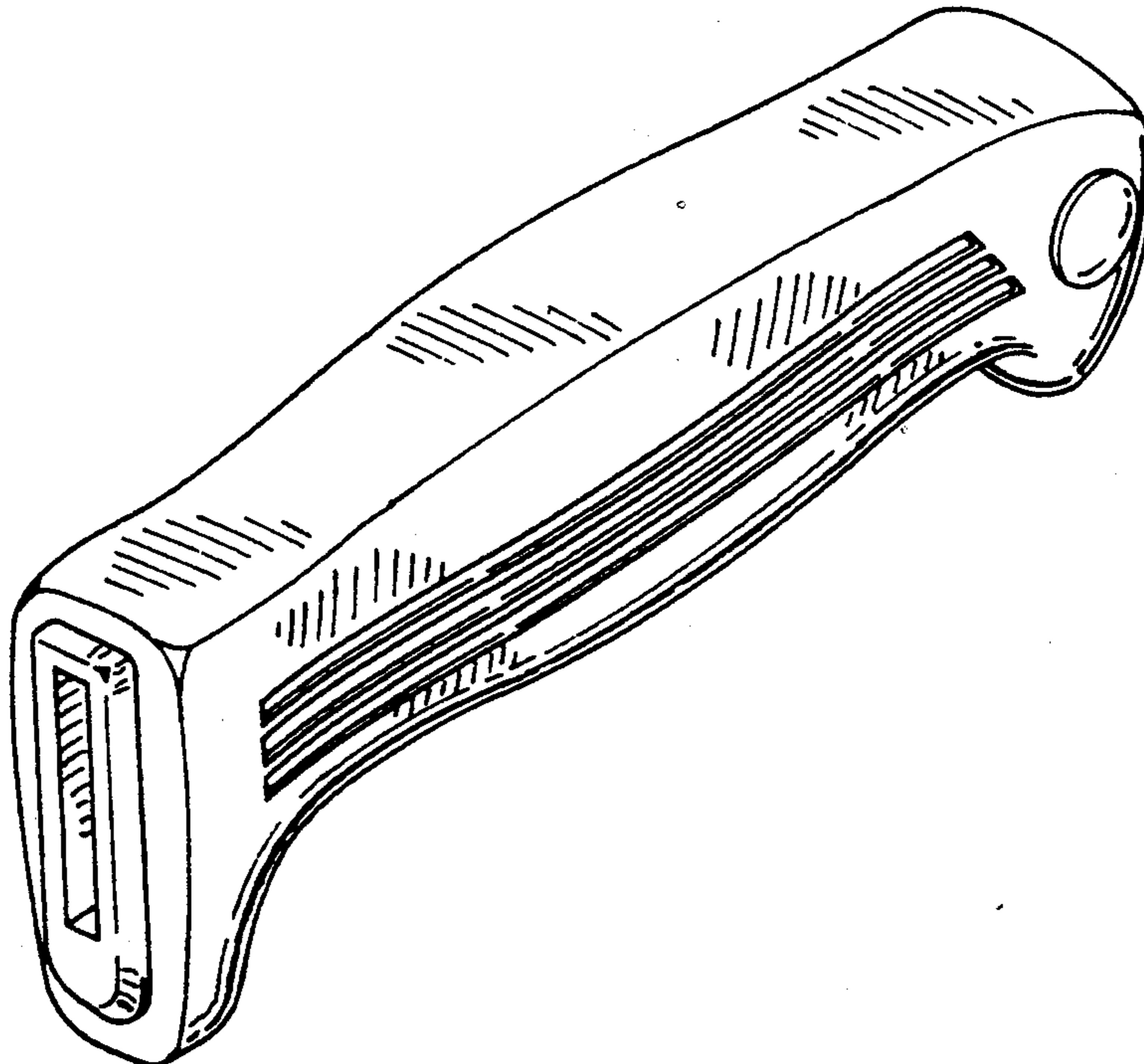
FIG. 9 is a cross-sectional view thereof taken along line 9-9 in FIG. 1;

FIG. 10 is a top, front perspective view thereof;

FIG. 11 is a top, rear perspective view thereof;

FIG. 12 is a front elevational view thereof, the broken lines showing of the blade being for illustrative purposes and forming no part of the claimed design; and,

FIG. 13 is an enlarged bottom plan view thereof.



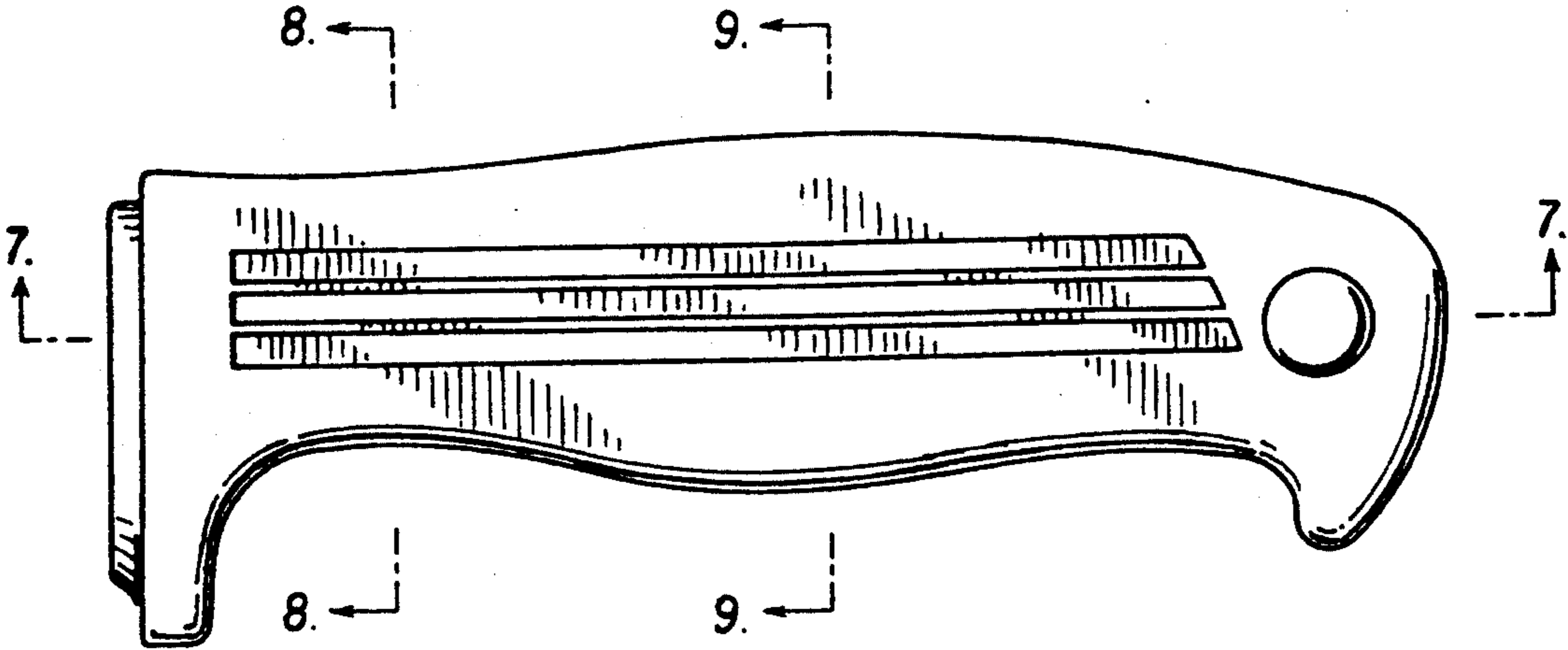


FIG. 1

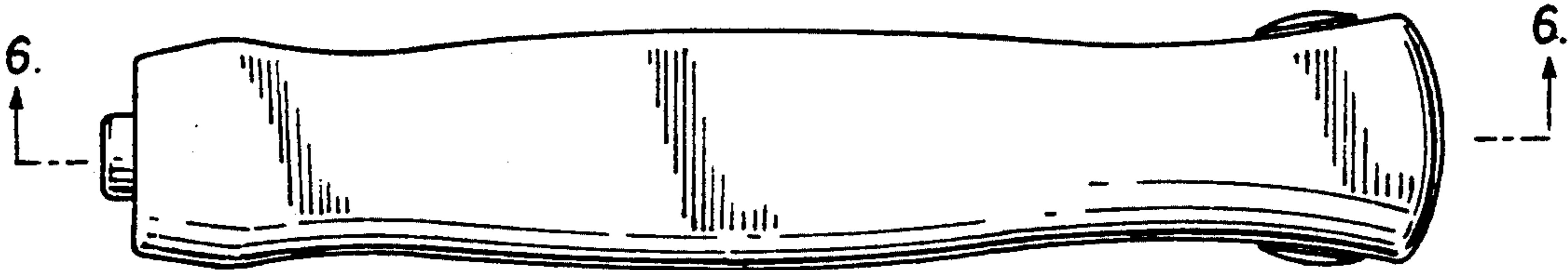


FIG. 2

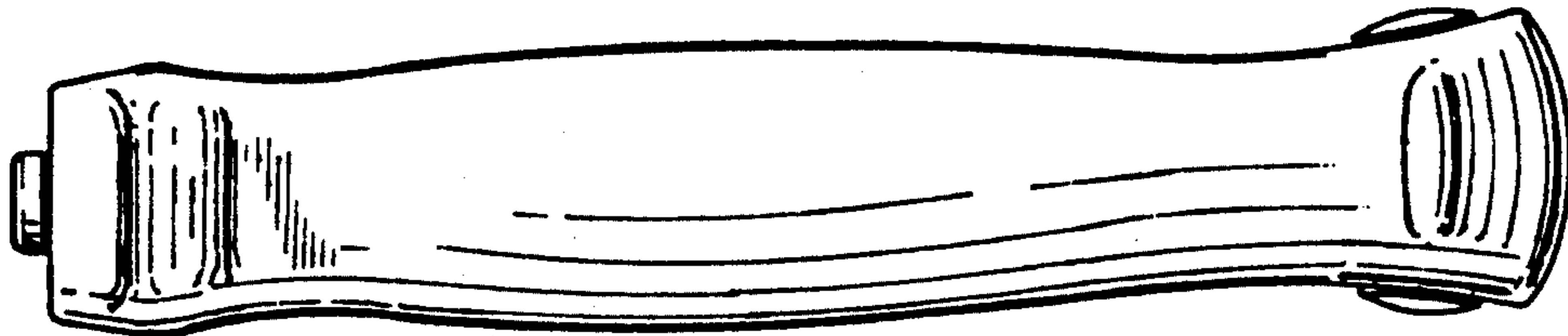


FIG. 3

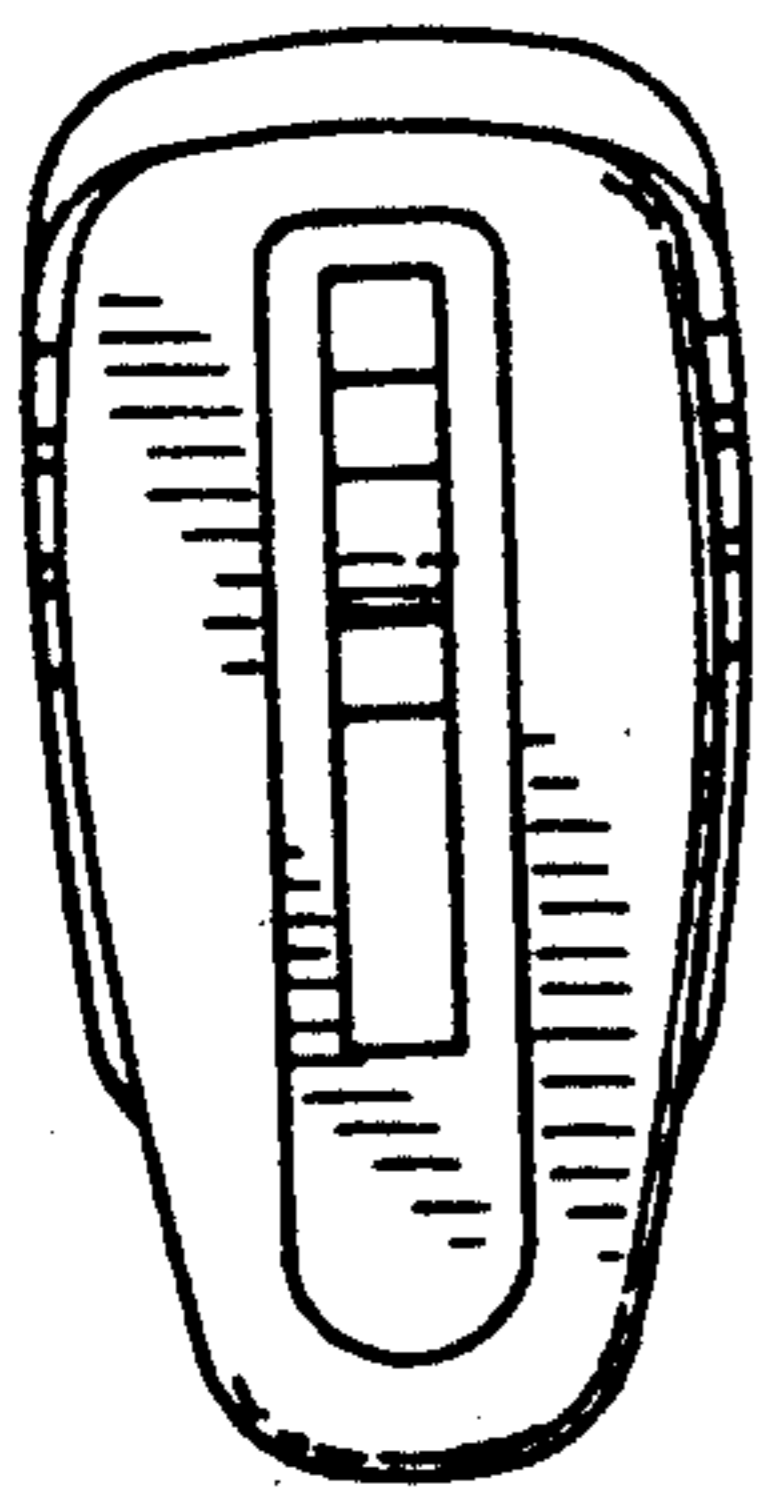


FIG. 4

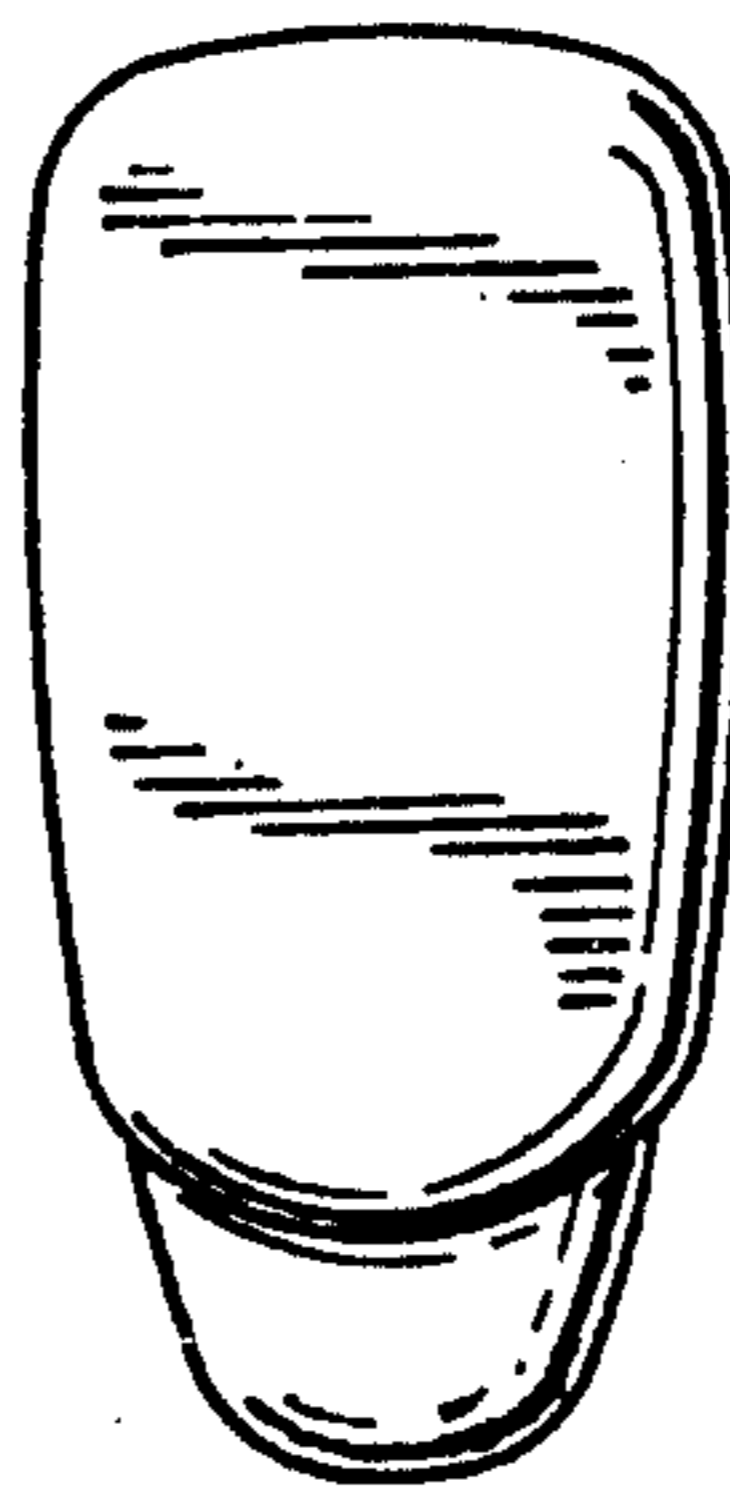


FIG. 5

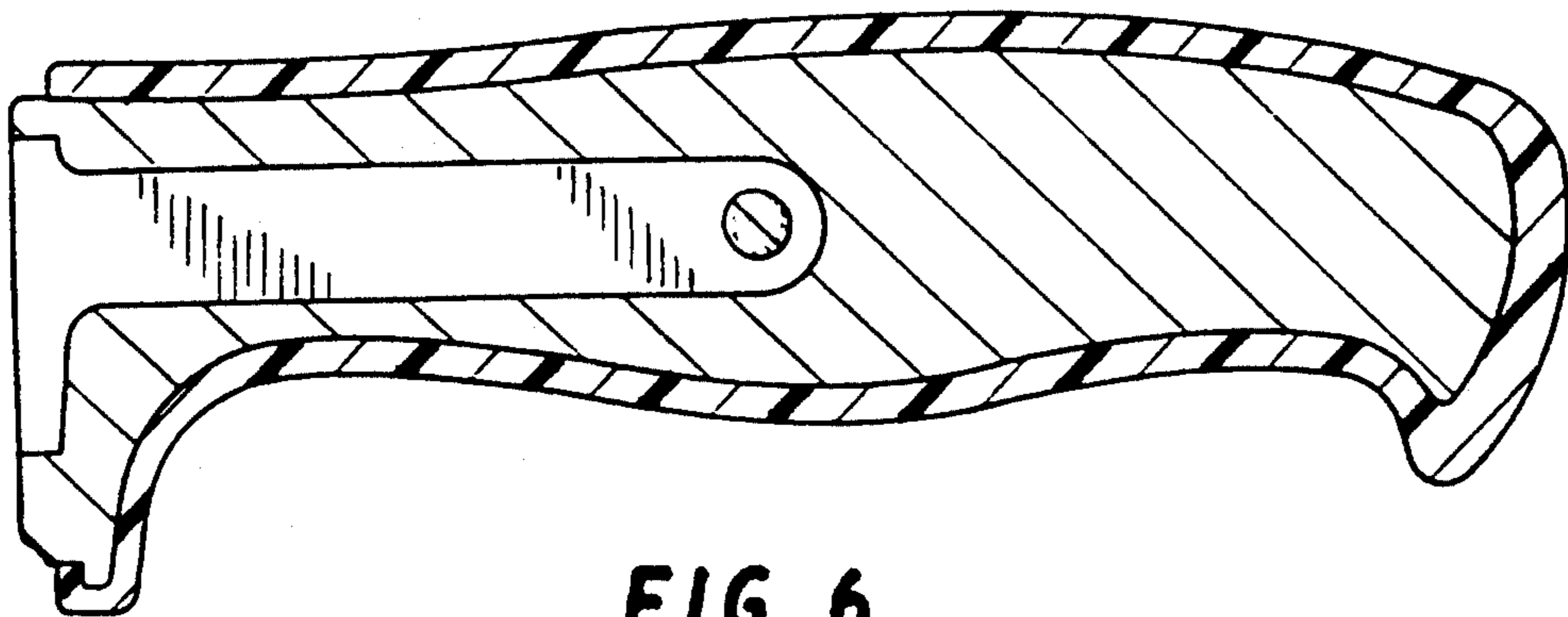


FIG. 6

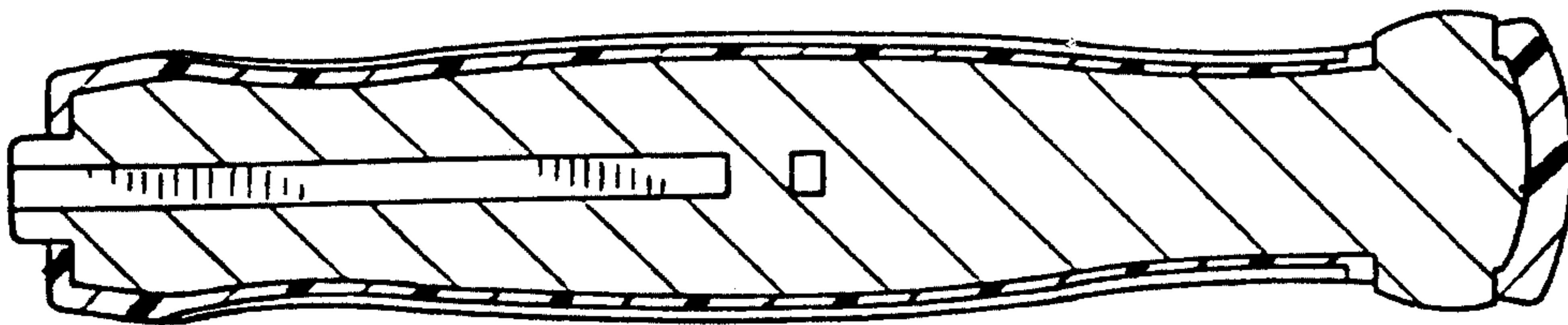


FIG. 7

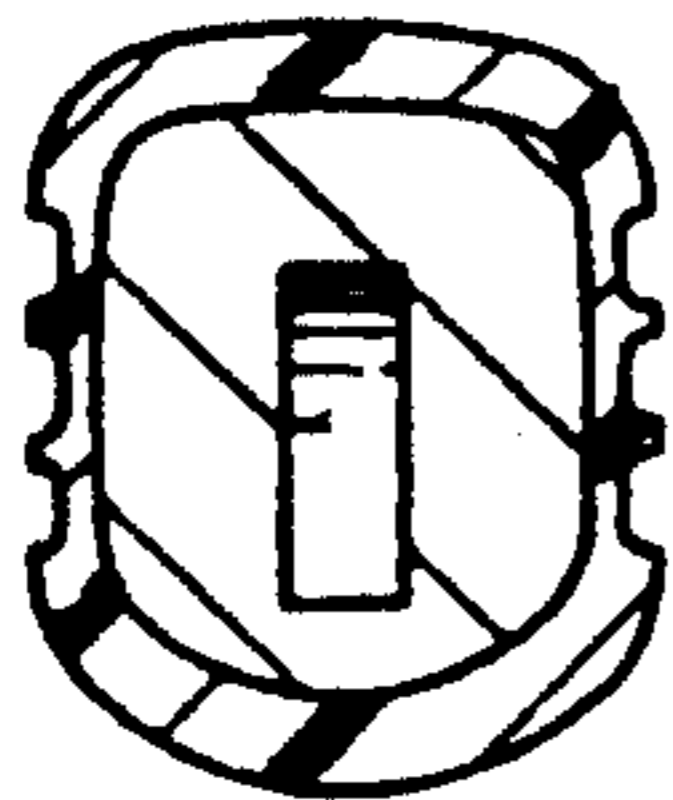


FIG. 8

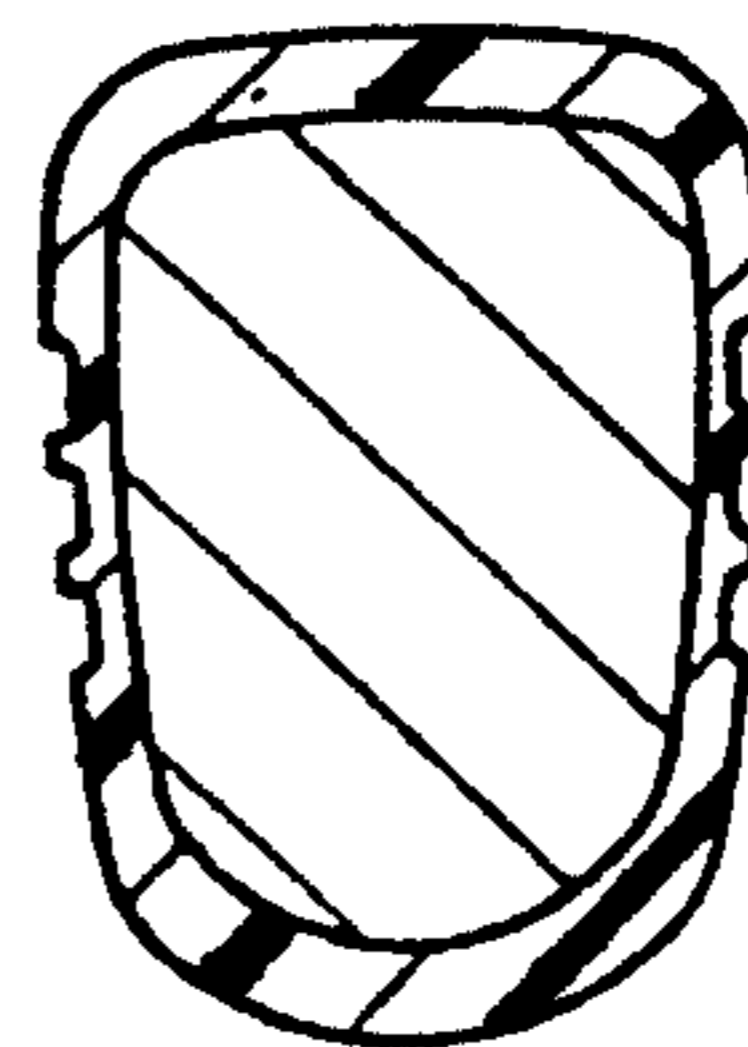


FIG. 9

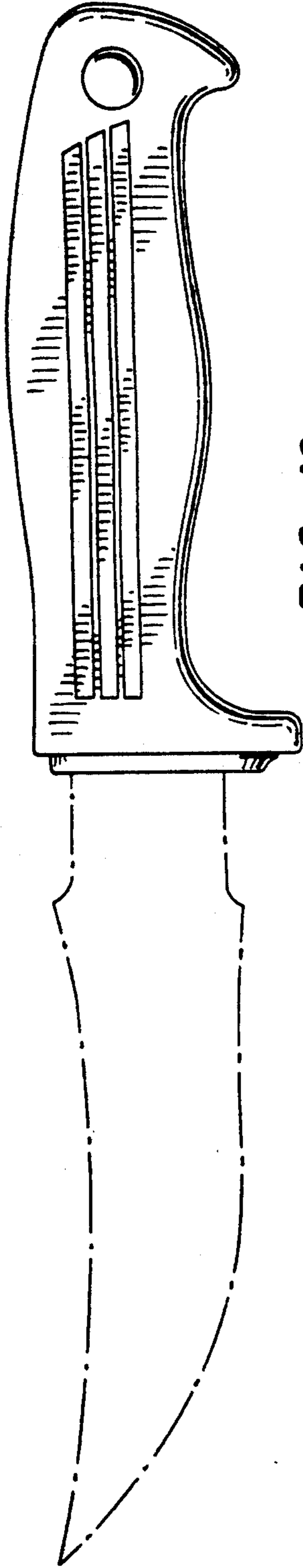


FIG. 12

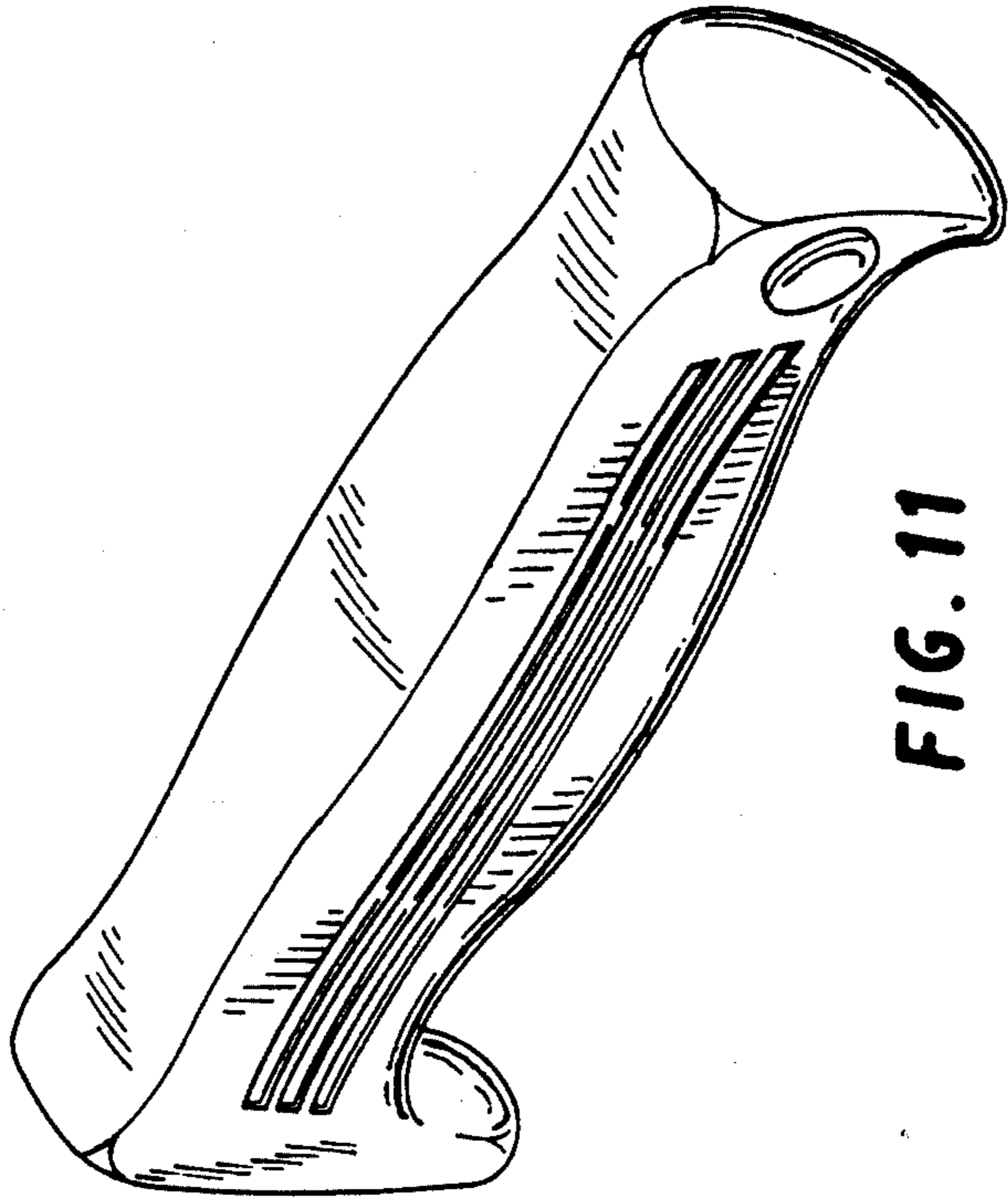


FIG. 11

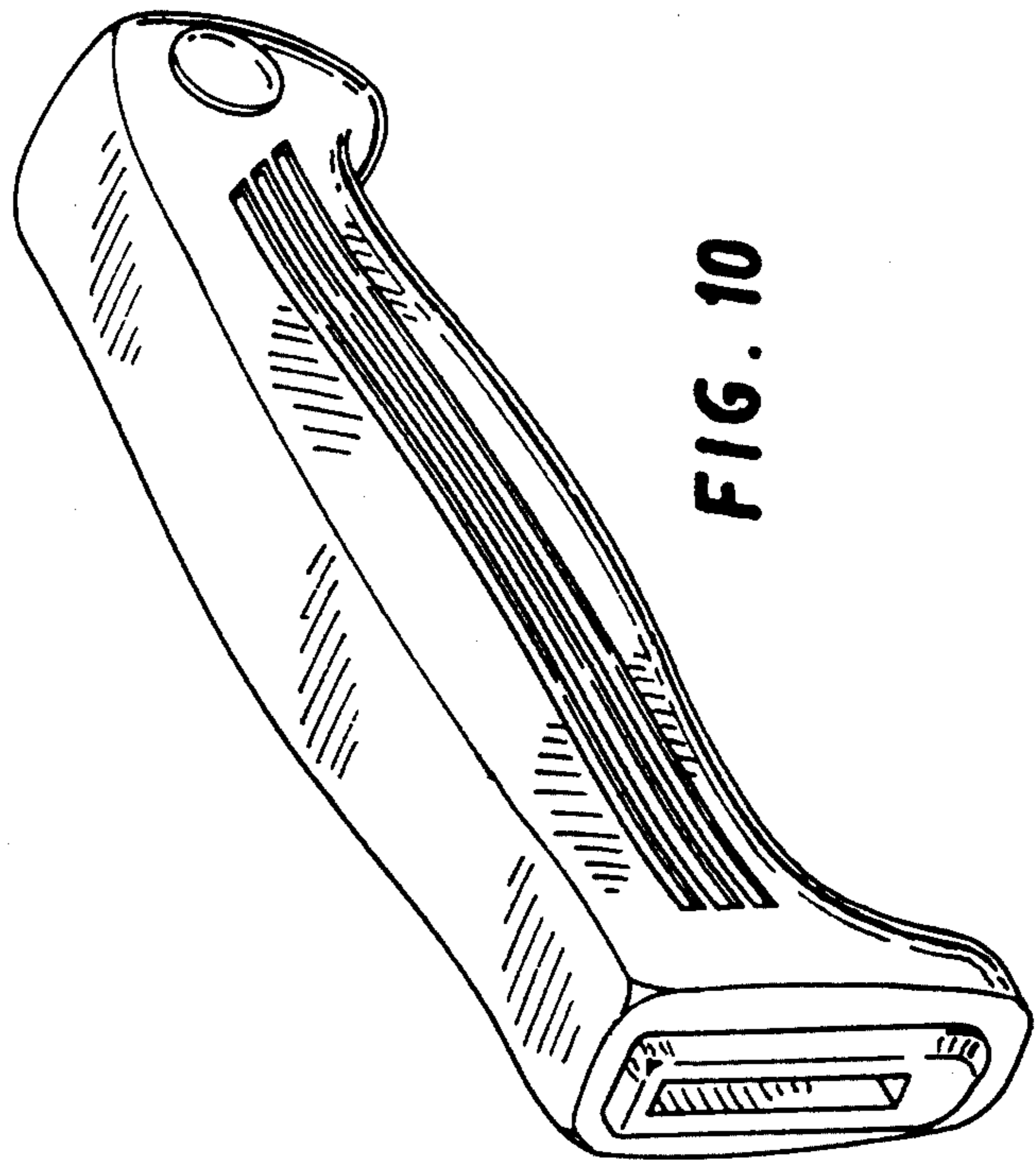


FIG. 10

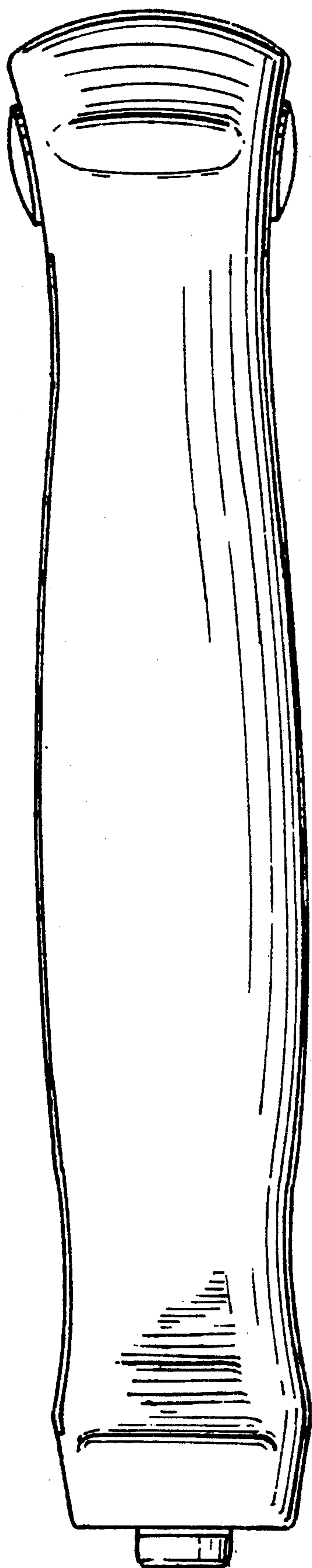


FIG. 13