



US00D329184S

# United States Patent [19]

[11] Patent Number: **Des. 329,184**

Lage et al.

[45] Date of Patent: **\*\* Sep. 8, 1992**

[54] **ENVELOPE OPENER**

[75] Inventors: **David P. Lage; Albert P. Carney,**  
both of St. Louis County, Mo.

[73] Assignee: **Quick Point, Inc., Fenton, Mo.**

[\*\*] Term: **14 Years**

[21] Appl. No.: **534,843**

[22] Filed: **Jun. 7, 1990**

[52] U.S. Cl. .... **D8/103**

[58] Field of Search ..... **D8/102, 103, 104, 98;**  
**D10/71; D14/240, 251, 252; D20/10, 39, 40,**  
**41; D22/118; 30/DIG. 3, 294; 33/483, 485**

[56] **References Cited**

**U.S. PATENT DOCUMENTS**

D. 62,994	9/1923	Kaucher .....	D20/10
D. 240,190	6/1976	Cleveland .....	D8/103
D. 256,883	9/1980	Wharmby .....	D8/102
D. 278,355	4/1985	Williams .....	D20/41
D. 286,794	11/1986	Bayless .....	D20/41
D. 306,394	3/1990	Koenig .....	D8/102
1,553,449	9/1925	Kennedy .....	30/294
2,439,639	4/1948	Tilly .....	30/294
2,535,555	12/1950	Tilly .....	30/DIG. 3

2,559,439	6/1952	Drake .....	30/294
3,009,248	11/1961	Tilly .	
3,028,670	4/1962	Tilly .....	D8/102
3,290,780	12/1966	Oehlert .....	30/DIG. 3

**OTHER PUBLICATIONS**

Quick Point Catalog 1981, p. 30, top of page, Quick Point Inc., Fenton, MO.  
Quick Point Catalog 1987, p. 26, left side of page, Quick Point Inc., Fenton, MO.

*Primary Examiner*—Bernard Ansher

*Assistant Examiner*—R. Barkai

*Attorney, Agent, or Firm*—Gravelly, Lieder & Woodruff

[57] **CLAIM**

The ornamental design for an envelope opener, as shown.

**DESCRIPTION**

FIG. 1 is a top, front and left end perspective view of an envelope opener showing our new design;  
FIG. 2 is a rear elevational view thereof;  
FIG. 3 is a left end elevational view thereof;  
FIG. 4 is a right end elevational view thereof; and,  
FIG. 5 is a sectional view taken along line 5—5 of FIG. 2.

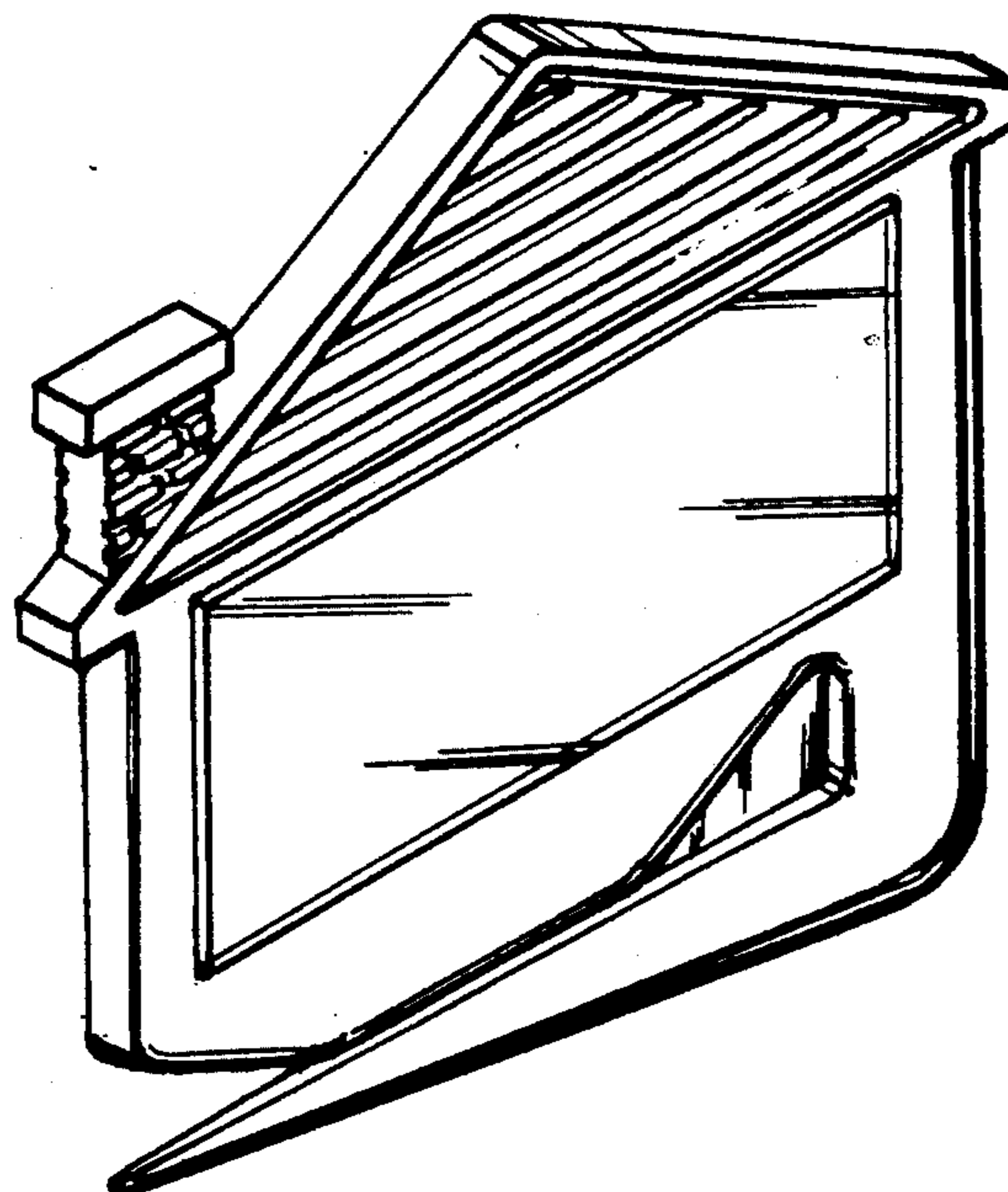


FIG. 1

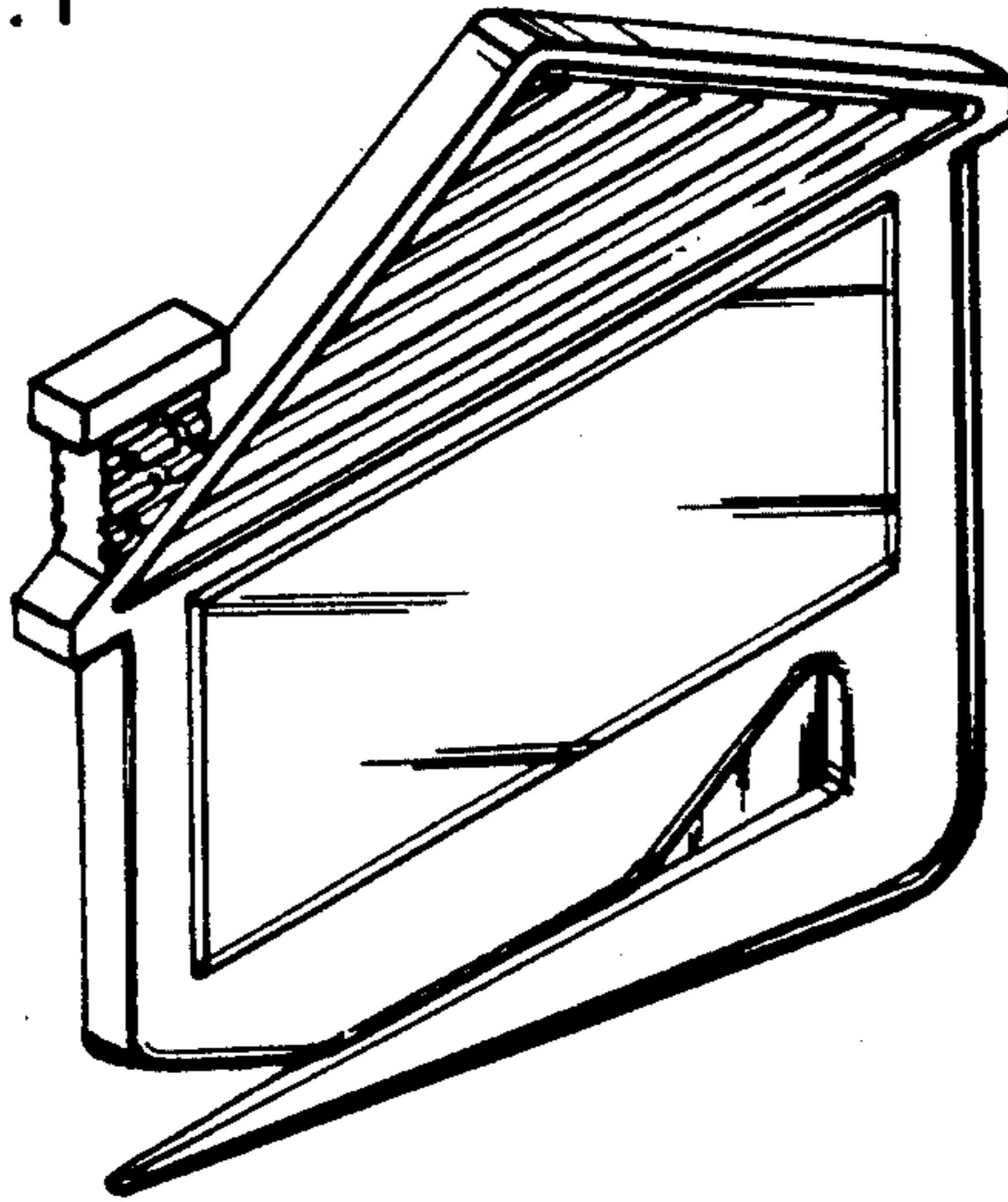


FIG. 2

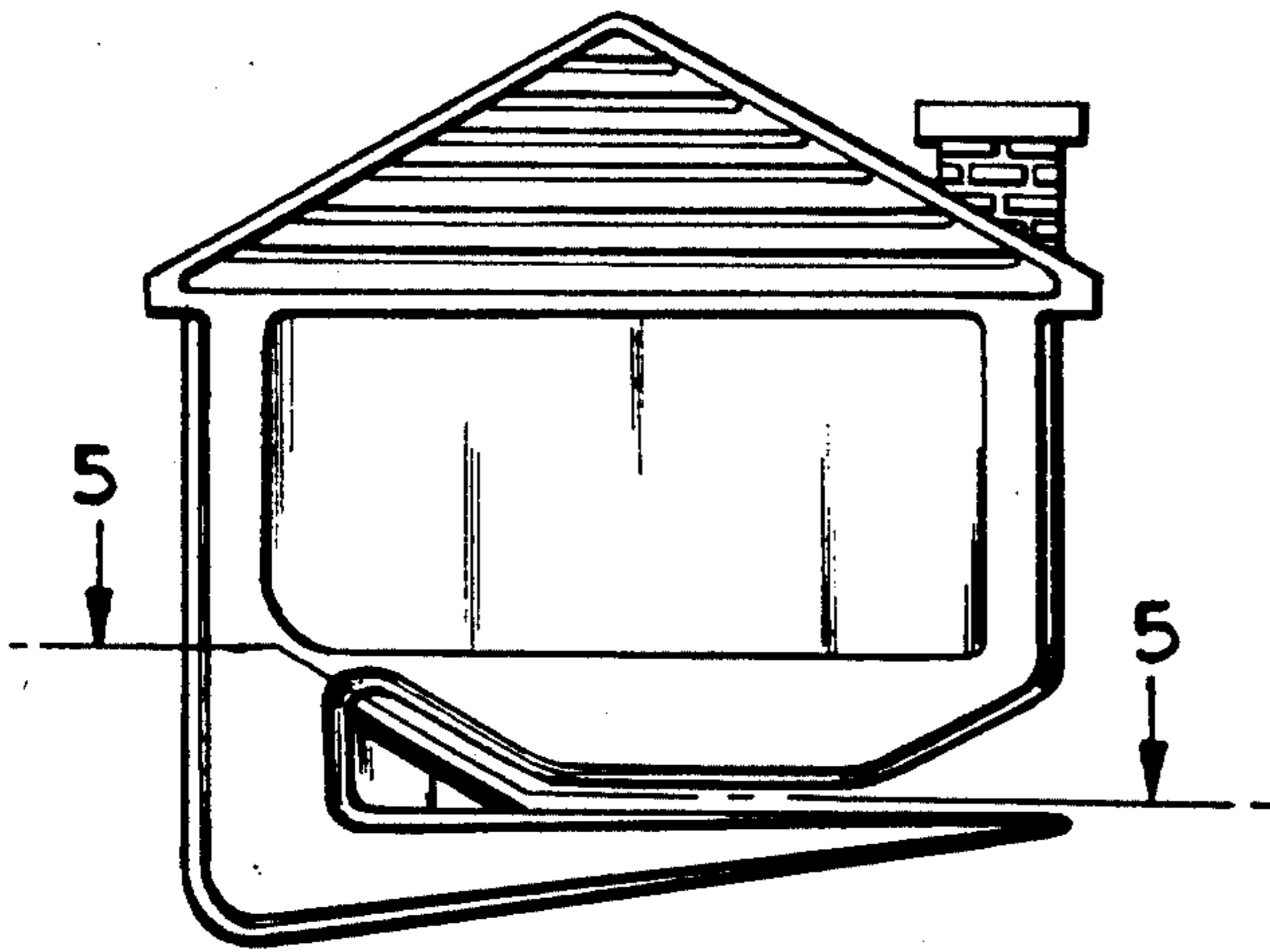


FIG. 3



FIG. 4



FIG. 5