



US00D329182S

United States Patent [19]

[11] Patent Number: **Des. 329,182**

Challis

[45] Date of Patent: **** Sep. 8, 1992**

[54] **GRIPPING PAD FOR A JIG BORING DEVICE**

4,893,970 1/1990 Becraft 408/115 R
5,056,966 10/1991 Lee 408/115 R

[76] Inventor: **Brian Challis, #9 Northride Way, Sandy, Utah 84092**

Primary Examiner—Donald P. Walsh
Assistant Examiner—J. H. Musgrove
Attorney, Agent, or Firm—Thorpe North & Western

[**] Term: **14 Years**

[21] Appl. No.: **481,610**

[57] **CLAIM**

[22] Filed: **Feb. 16, 1990**

The ornamental design for a gripping pad for a jig boring device, as shown and described.

[52] U.S. Cl. **D8/71; D15/140**

[58] Field of Search **D8/70, 71, 61; D15/140, D15/144; 408/115 R**

DESCRIPTION

[56] **References Cited**

U.S. PATENT DOCUMENTS

3,157,078 11/1964 Powers D15/140
3,405,949 10/1968 Cox D15/140
4,730,959 3/1988 Aerni et al. 408/115 R
4,865,496 9/1989 Challis 408/115 R

FIG. 1 is a top and front perspective view of a gripping pad for a jig boring device showing my new design; FIG. 2 is a top plan view; FIG. 3 is a bottom plan view; FIG. 4 is a front elevational view; FIG. 5 is a rear elevational view; FIG. 6 is a left side elevational view; and, FIG. 7 is a right side elevational view thereof.

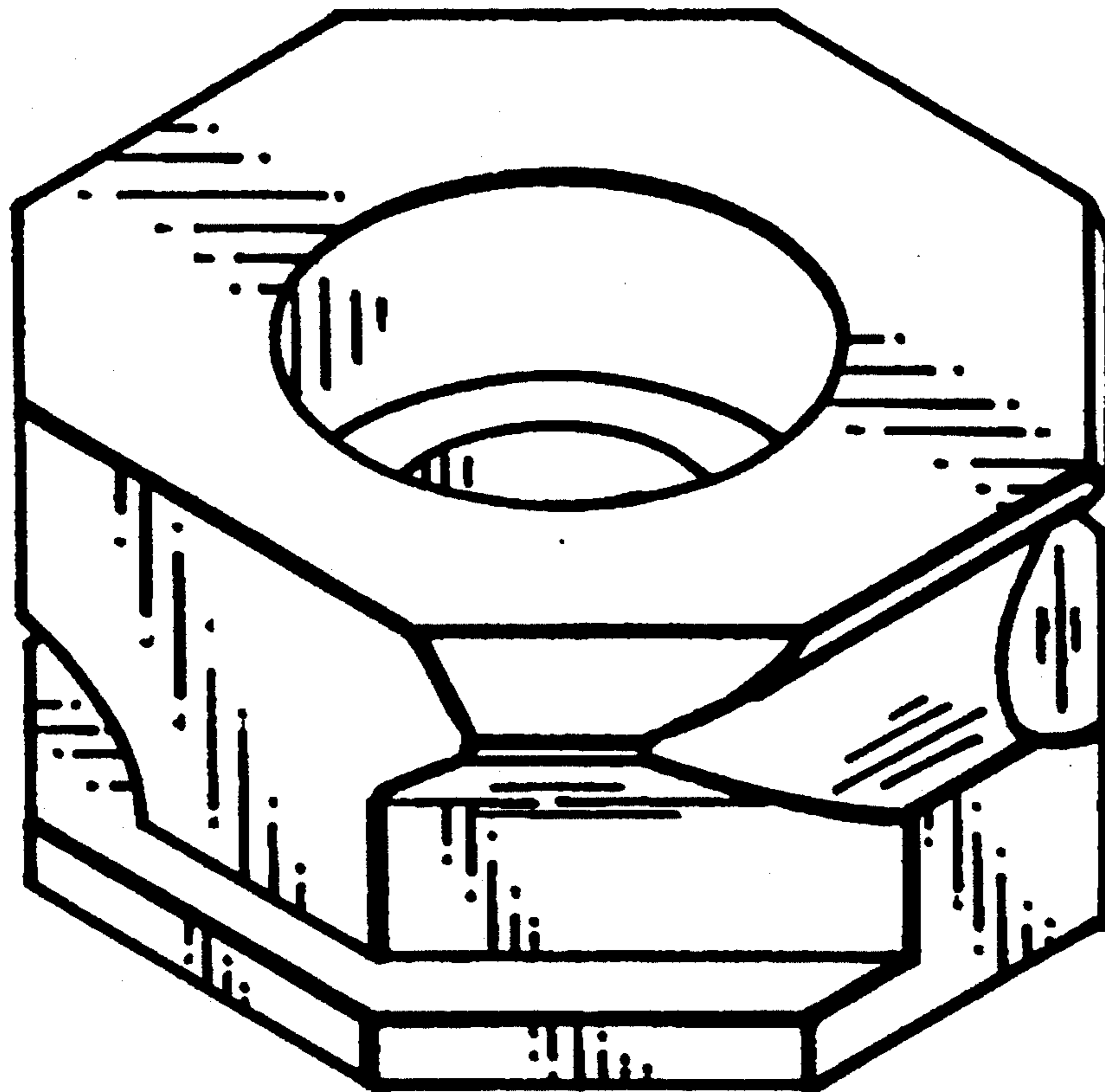


Fig. 1

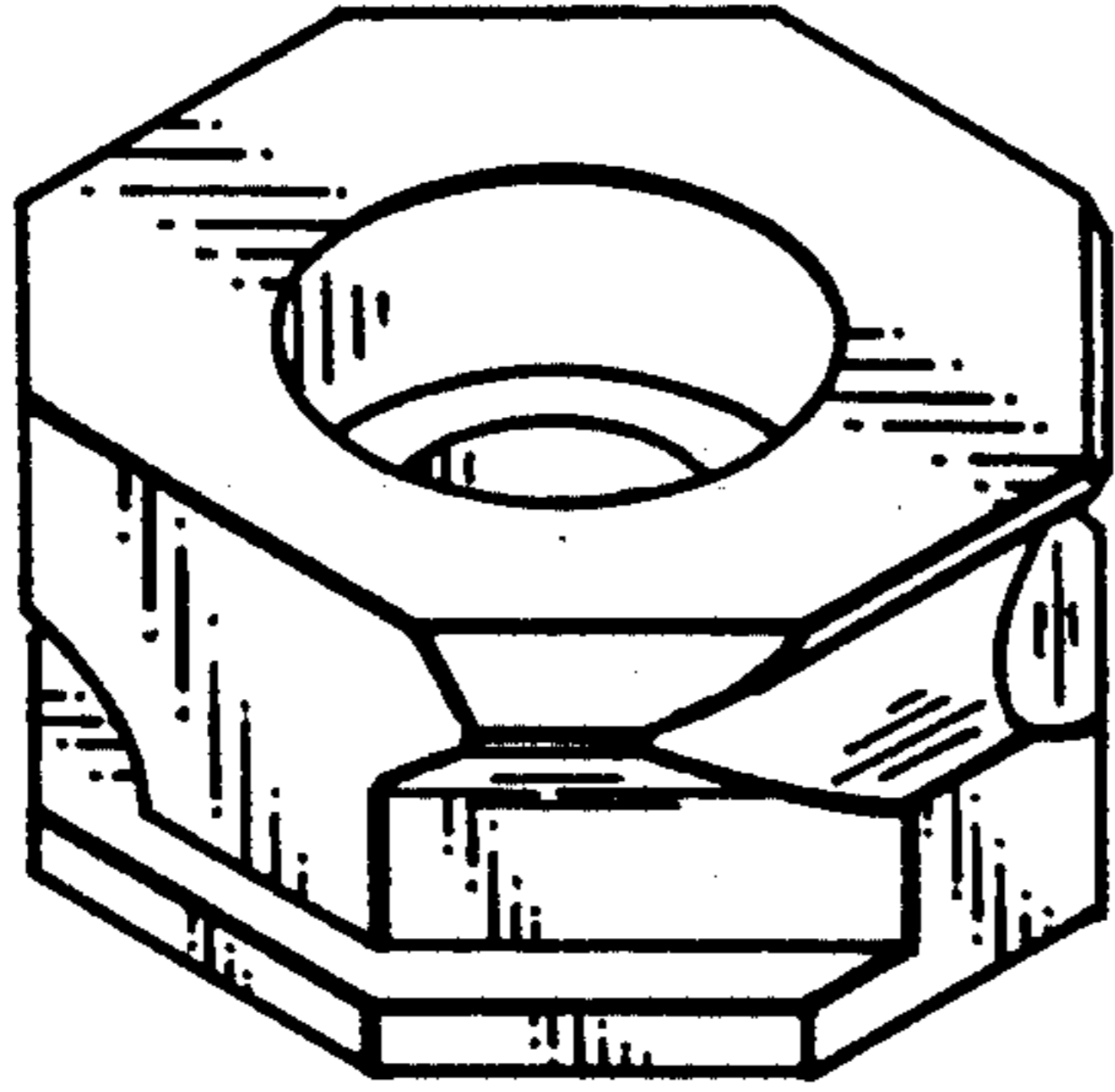


Fig. 2

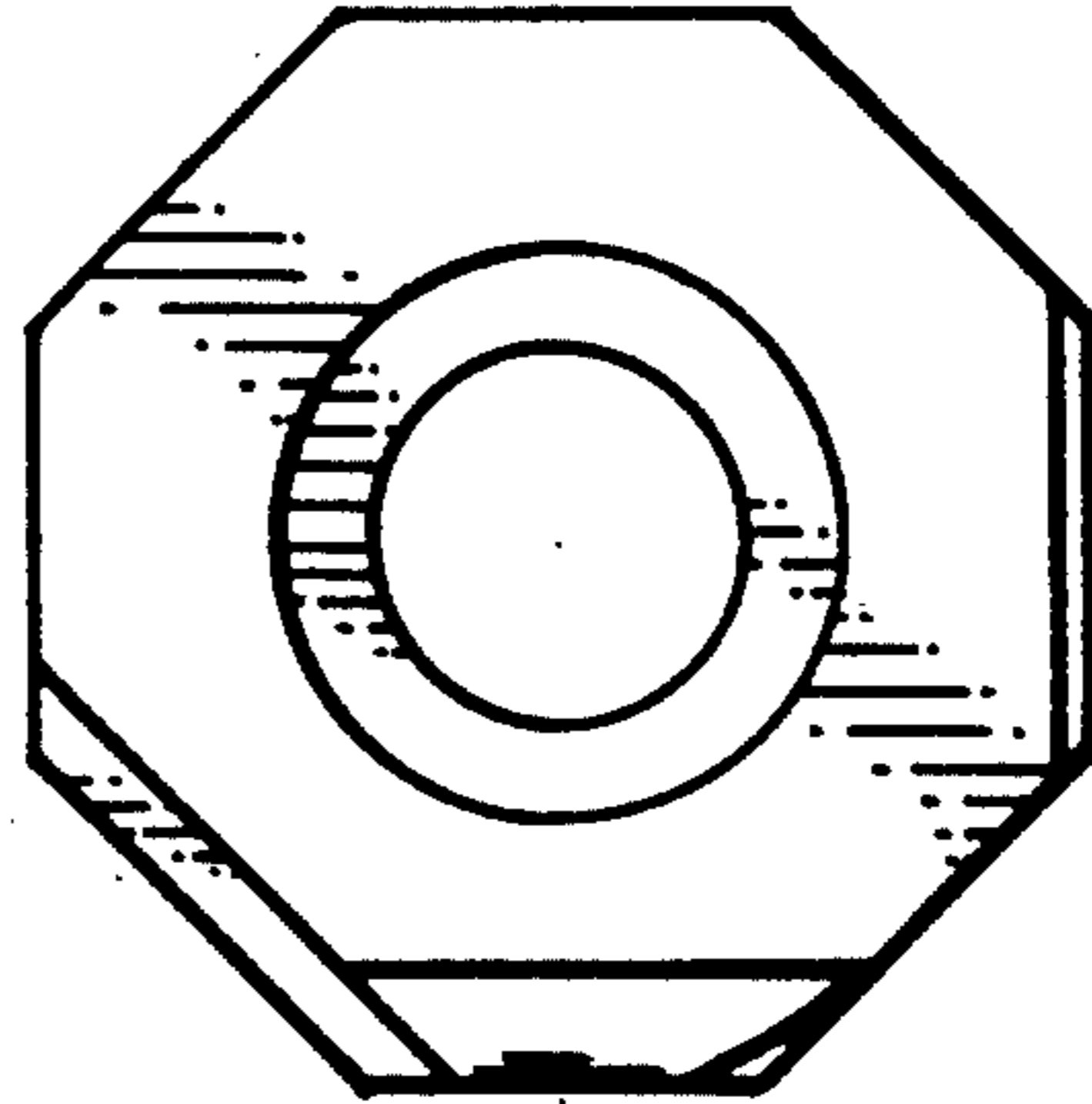


Fig. 3

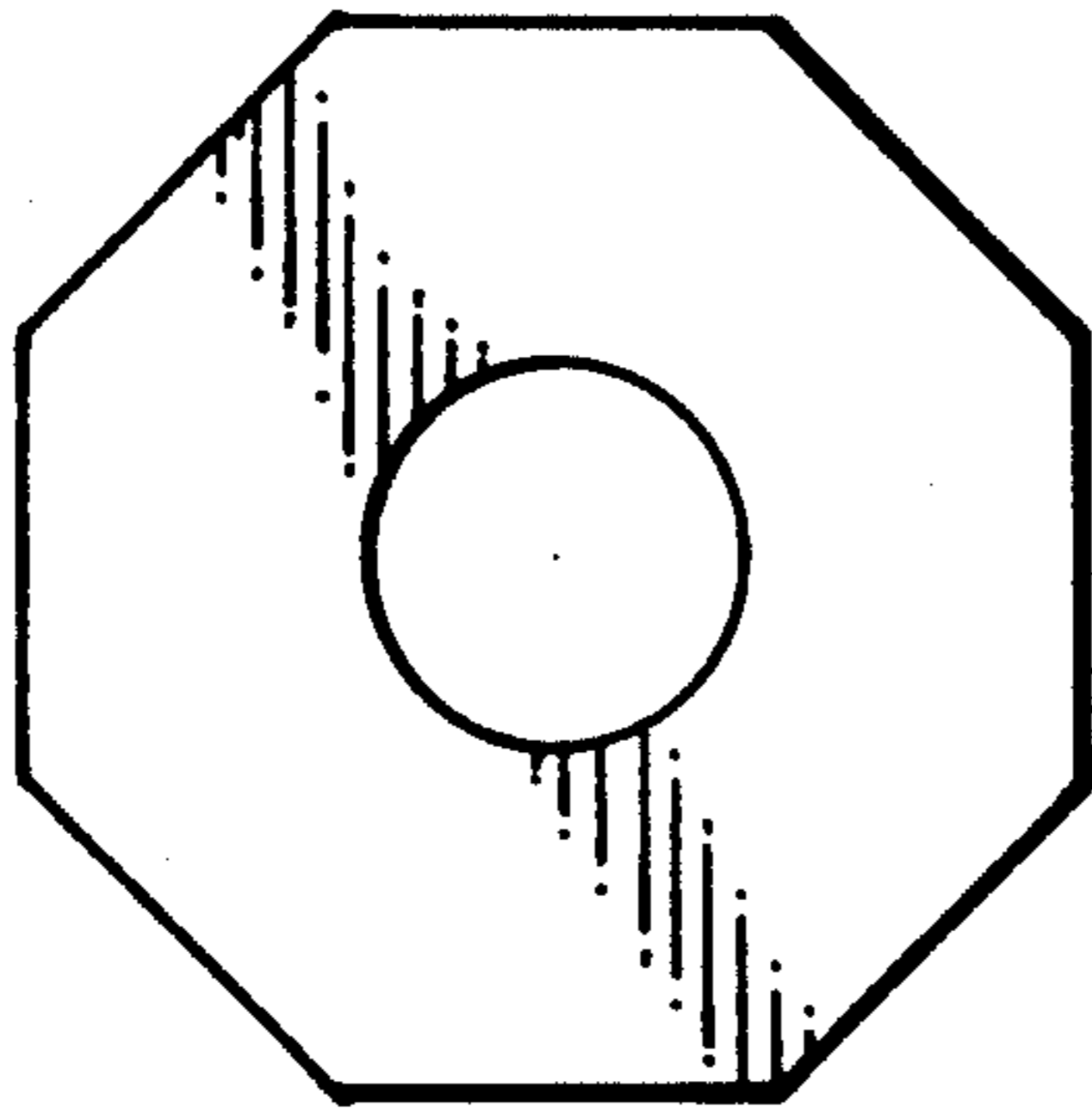


Fig. 4

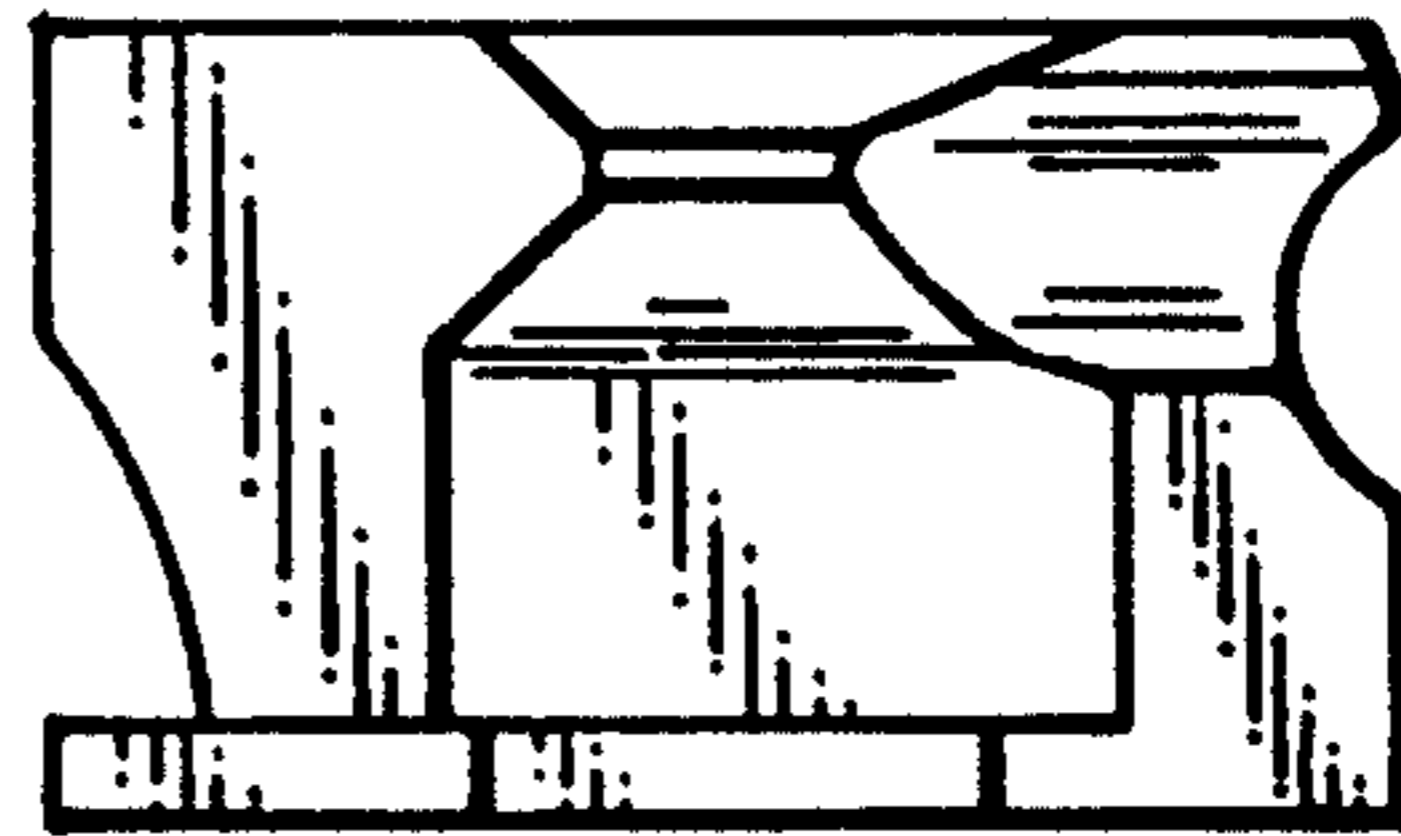


Fig. 5

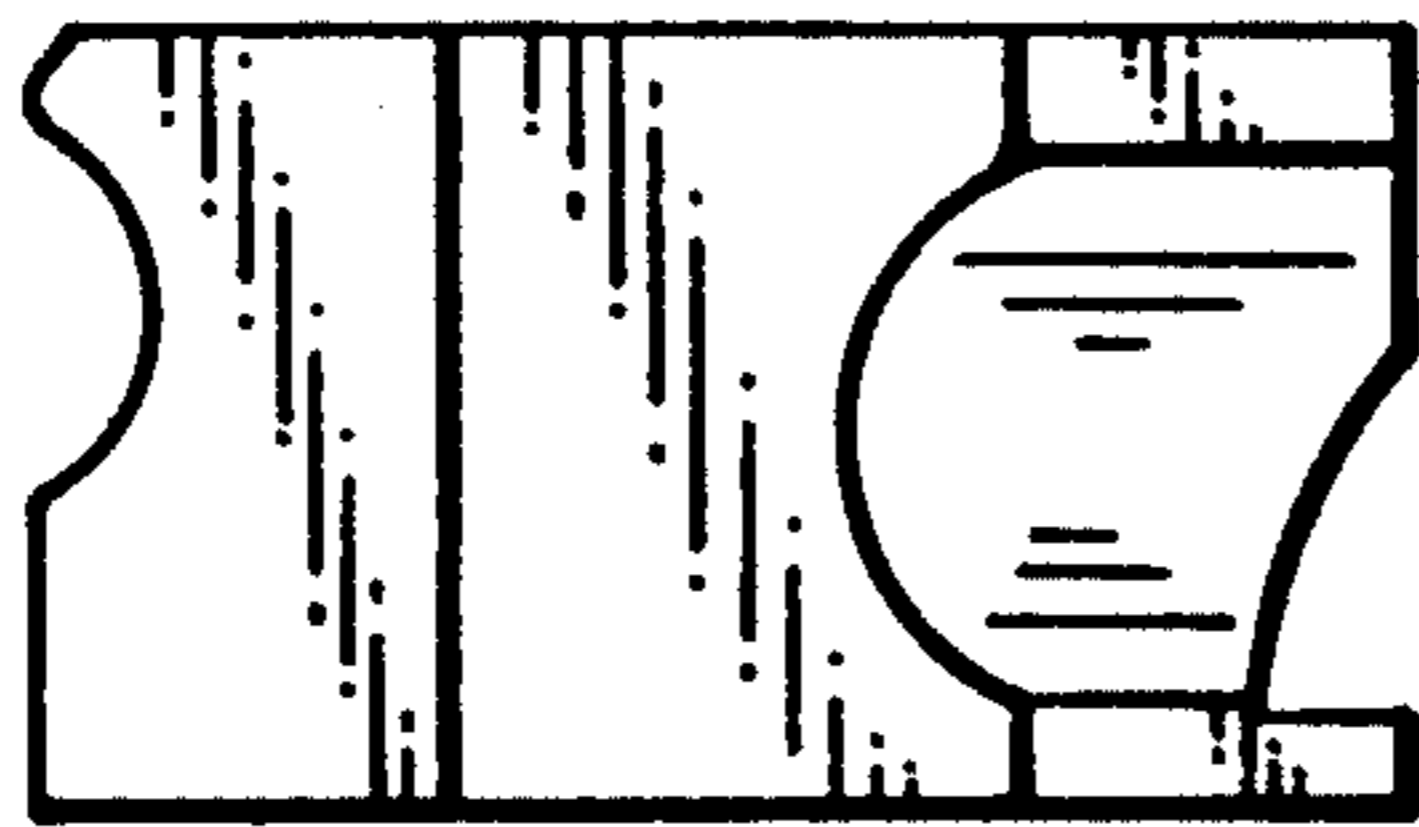


Fig. 6

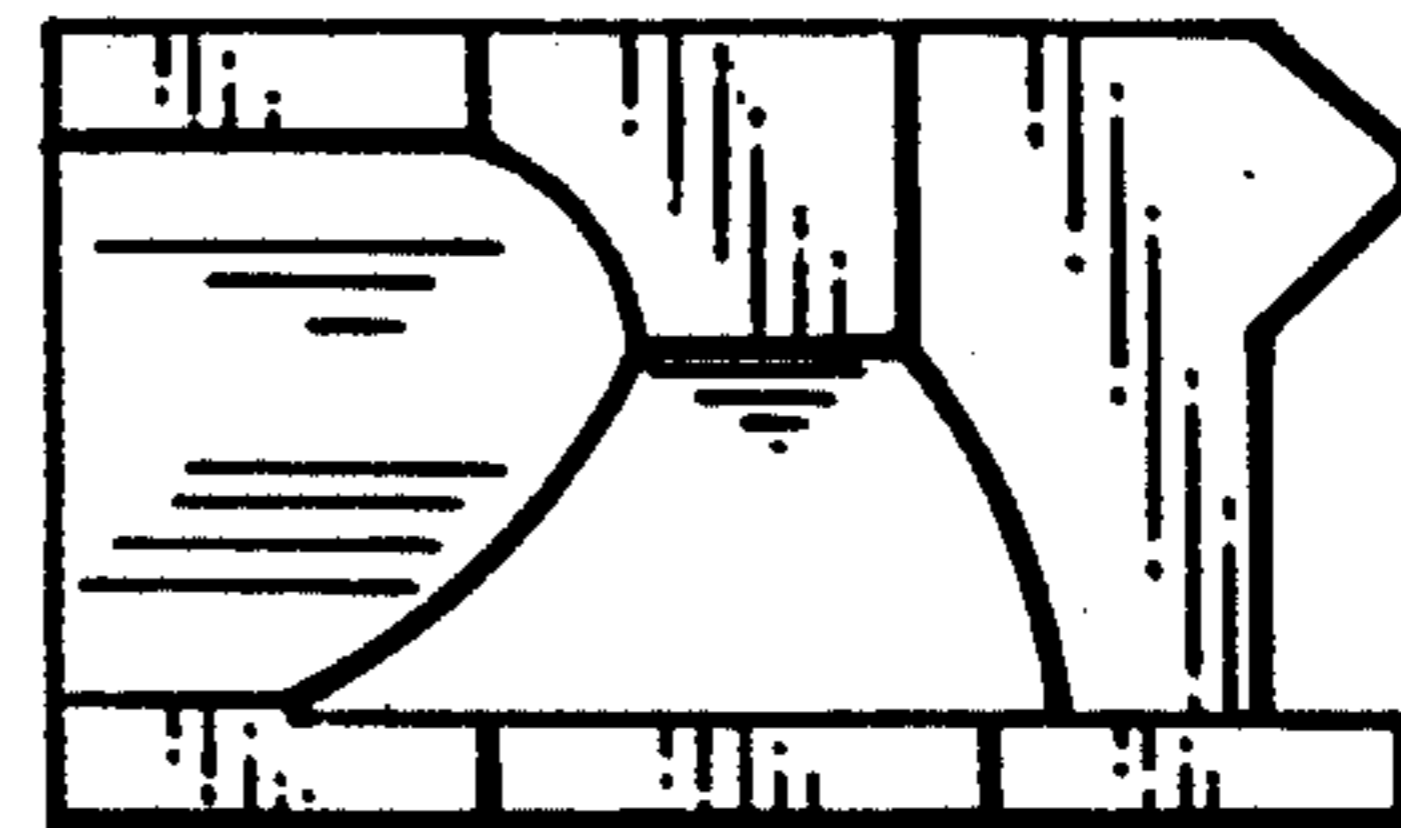


Fig. 7

