



US00D329181S

United States Patent [19]

[11] Patent Number: **Des. 329,181**

Noda et al.

[45] Date of Patent: **** Sep. 8, 1992**

[54] **PORTABLE ELECTRIC CHAMFERING MACHINE**

D. 300,501 4/1989 Zurwelle D8/67
4,947,908 8/1990 O'Banion et al. 144/134 D
4,988,245 1/1991 Fukuda 144/134 D

[75] Inventors: **Tomoki Noda; Kenji Fukuda**, both of Tokyo, Japan

Primary Examiner—Donald P. Walsh
Assistant Examiner—Jeff Musgrove
Attorney, Agent, or Firm—Wenderoth, Lind & Ponack

[73] Assignee: **Nitto Kohki Co., Ltd.**, Tokyo, Japan

[**] Term: **14 Years**

[57] **CLAIM**

[21] Appl. No.: **547,158**

The ornamental design for portable electric chamfering machine, as shown.

[22] Filed: **Jul. 3, 1990**

[30] **Foreign Application Priority Data**

Jan. 25, 1990 [JP] Japan2-1699

[52] U.S. Cl. **D8/67**

[58] **Field of Search** D8/61, 30, 67; 409/182, 409/190, 175, 179; 144/353, 355, 345, 134 D, 136 R

DESCRIPTION

FIG. 1 is a top, front and right side perspective view of a portable electric chamfering machine showing our new design;

FIG. 2 is a right side elevational view thereof;

FIG. 3 is a front elevational view thereof;

FIG. 4 is a rear elevational view thereof;

FIG. 5 is a left side elevational view thereof;

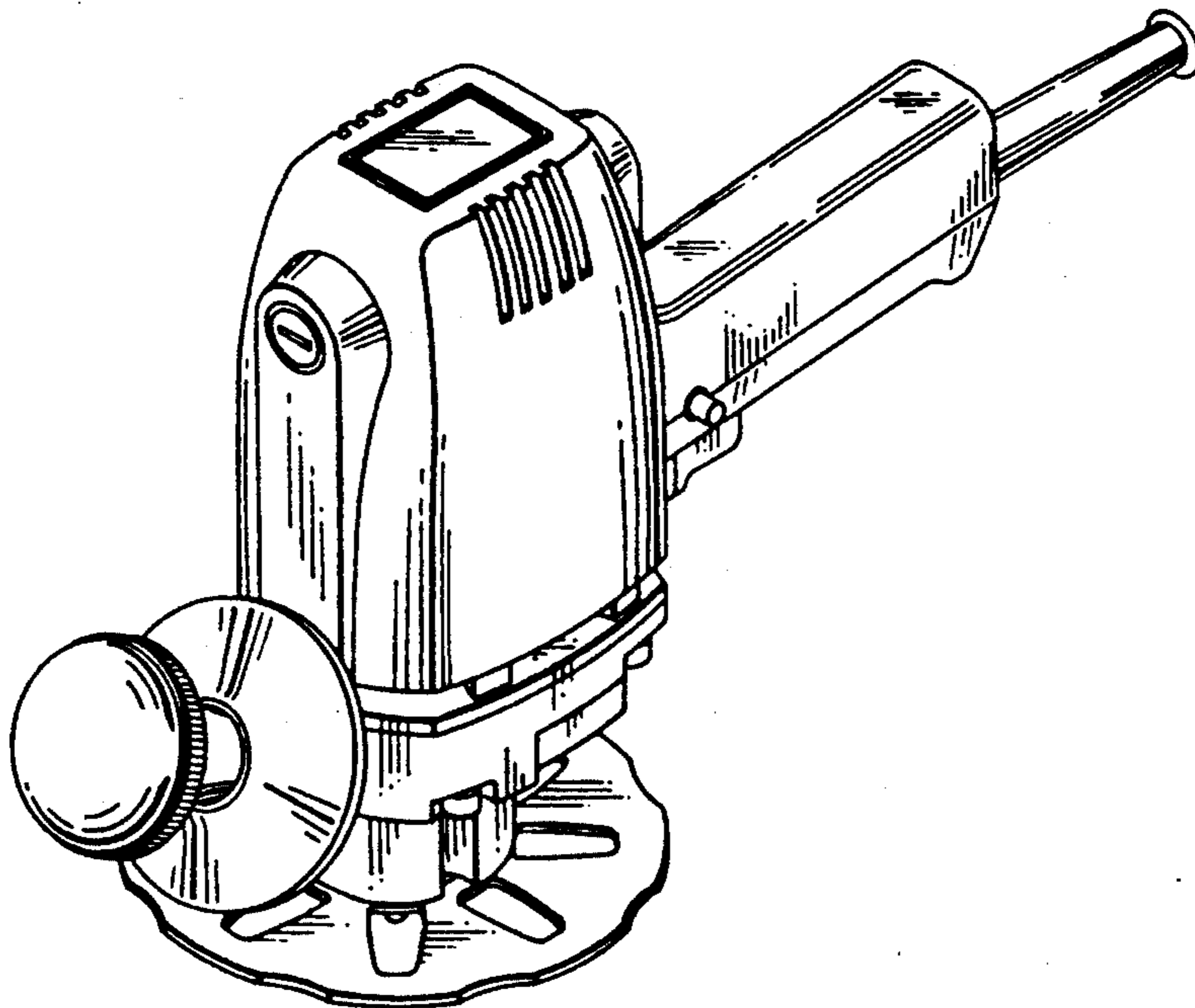
FIG. 6 is a top plan view thereof; and,

FIG. 7 is a bottom plan view thereof.

[56] **References Cited**

U.S. PATENT DOCUMENTS

D. 286,131 10/1986 Yamamoto D8/67
D. 295,140 4/1988 Fukuda et al. D8/61



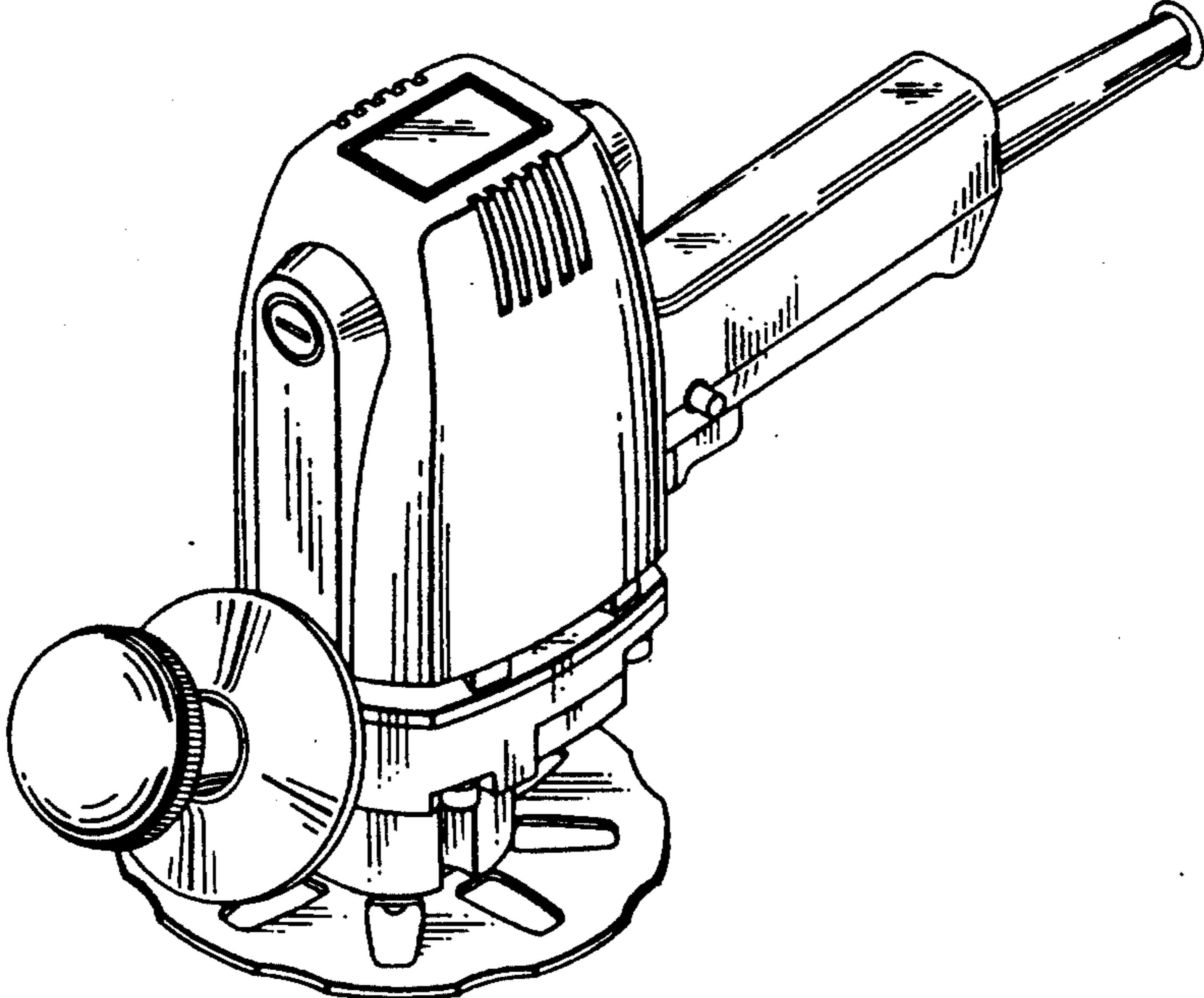


FIG. 1

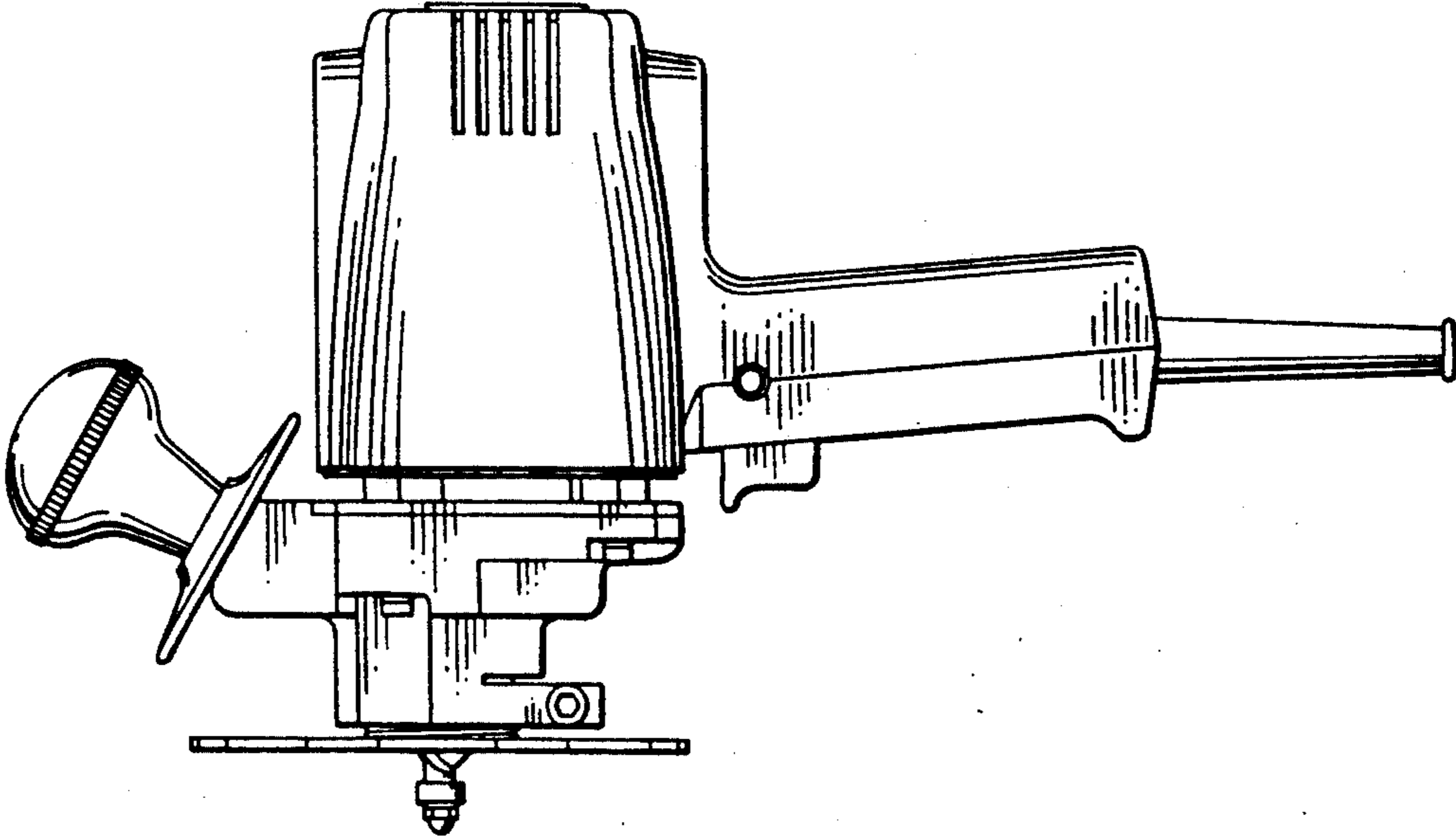


FIG. 2

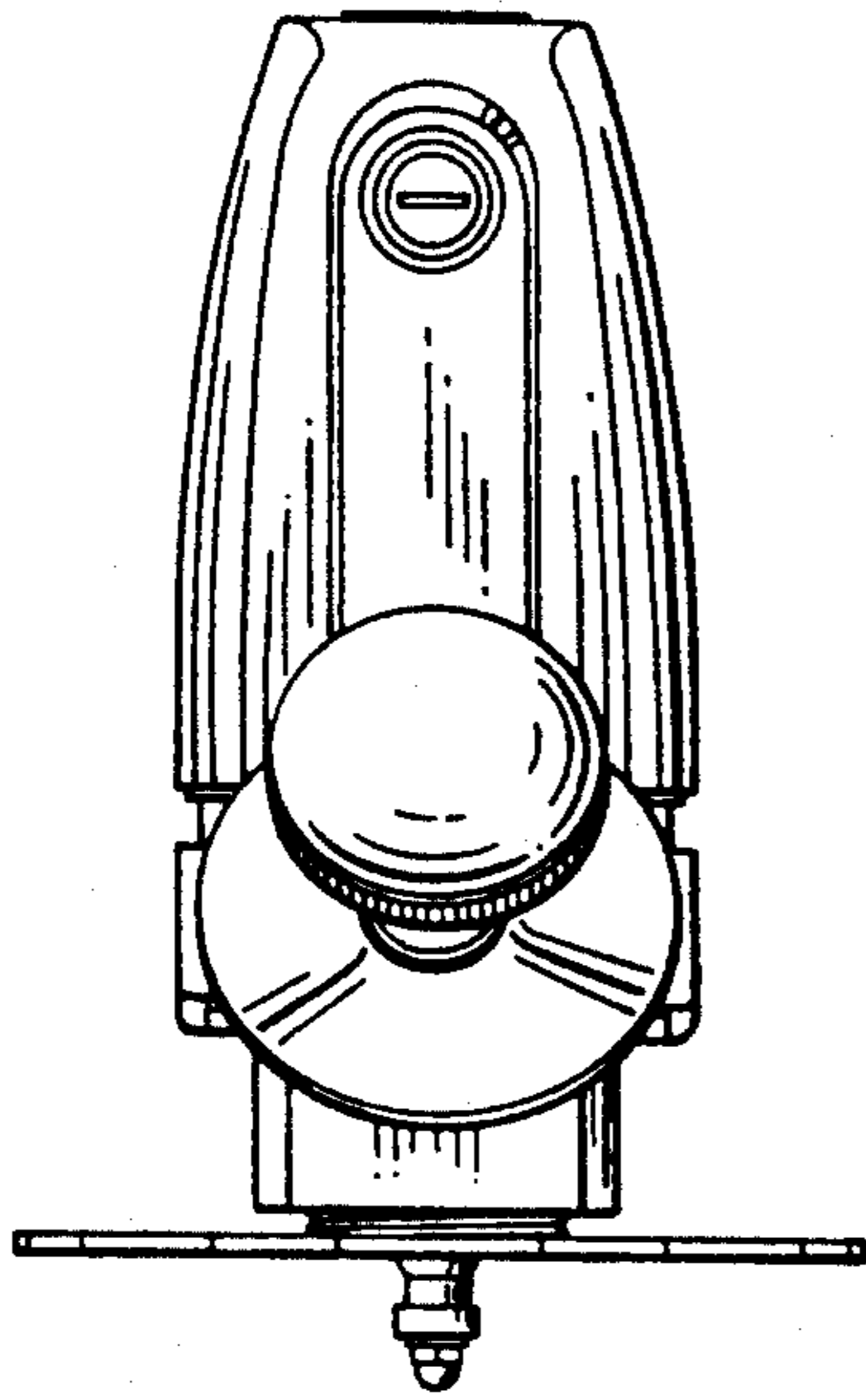


FIG. 3

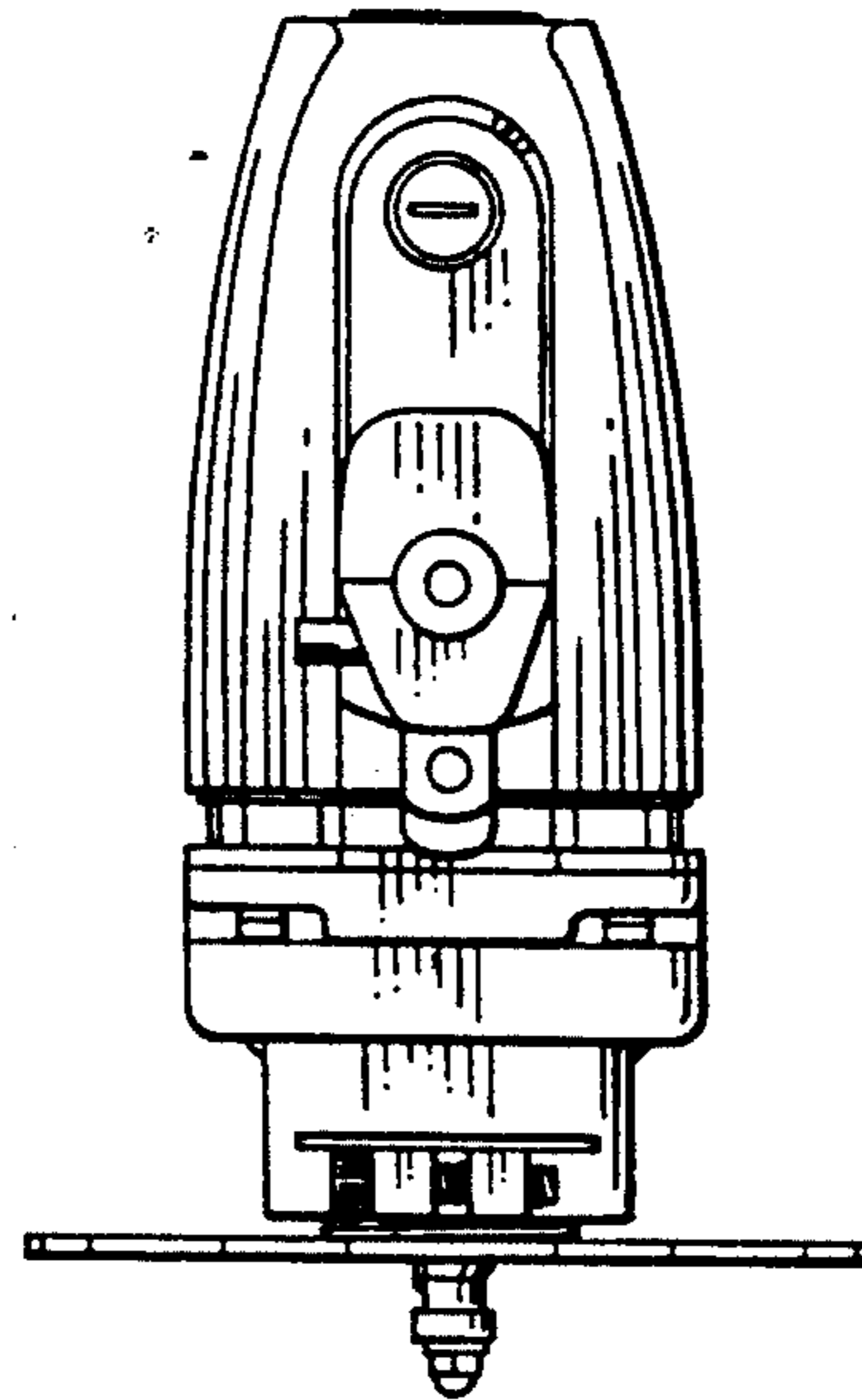


FIG. 4

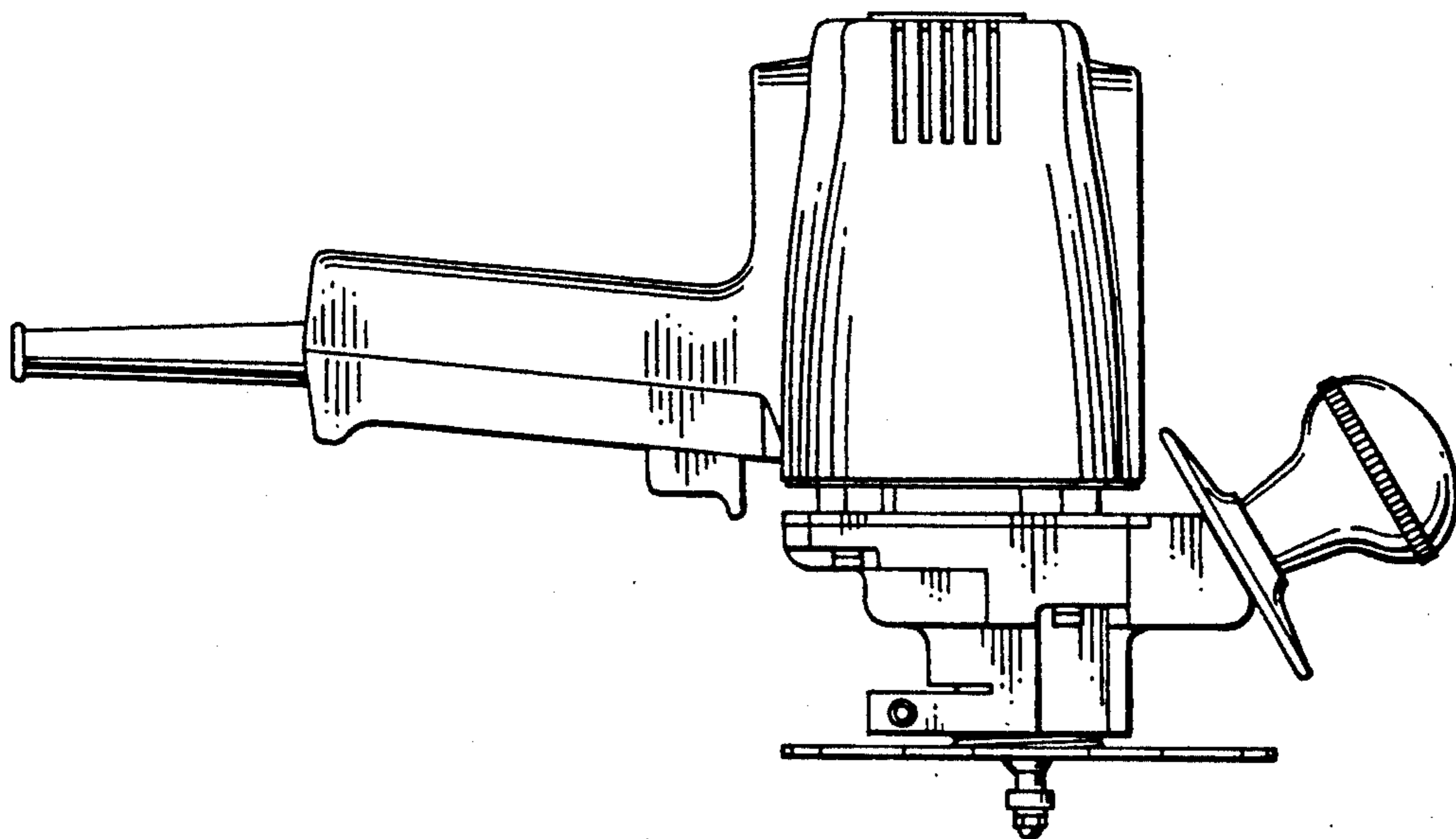


FIG. 5

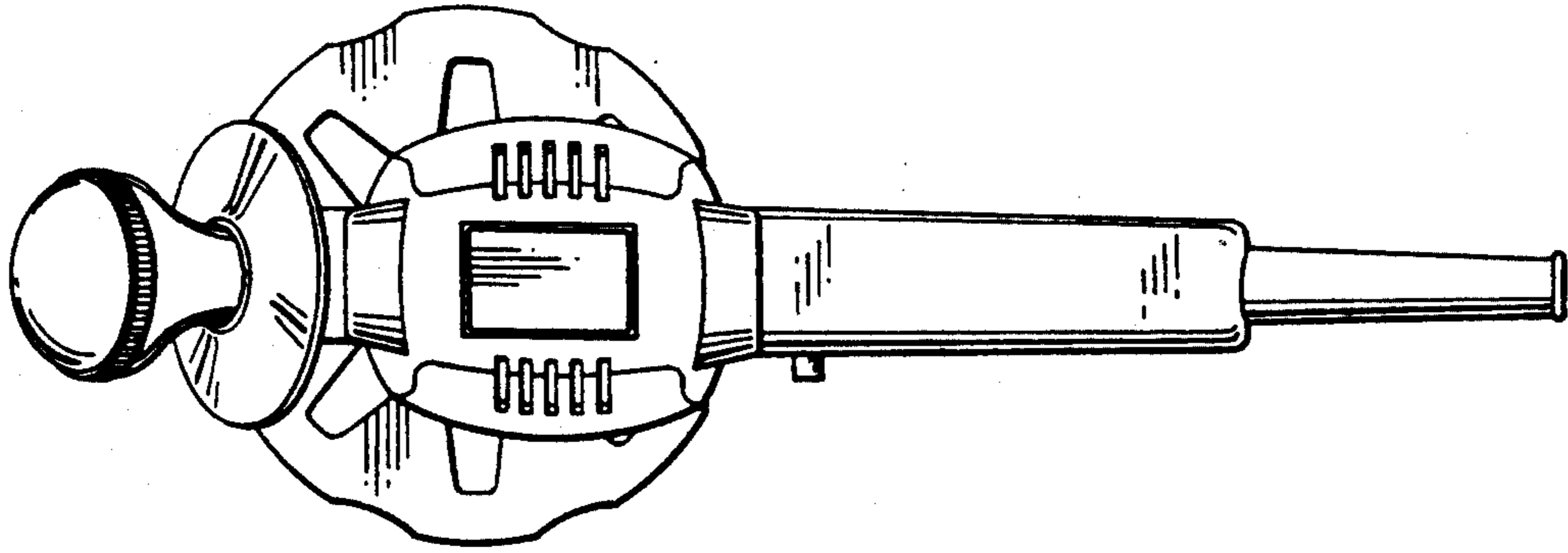


FIG. 6

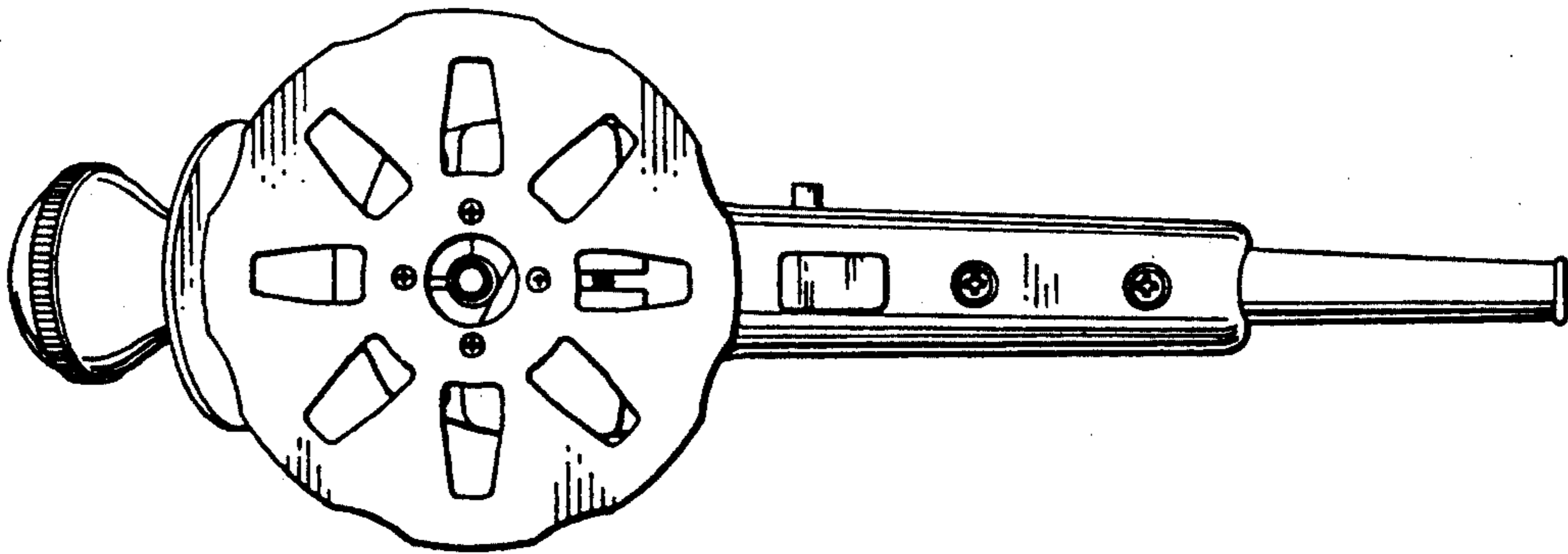


FIG. 7