



US00D329179S

United States Patent [19]

[11] Patent Number: **Des. 329,179**

Kensrue

[45] Date of Patent: **** Sep. 8, 1992**

[54] **WELDING GUN**

[57] **CLAIM**

[76] Inventor: **Milo M. Kensrue**, 49-320 Sunrose La., Palm Desert, Calif. 92260

The ornamental design for the welding gun, as shown and described.

[**] Term: **14 Years**

DESCRIPTION

[21] Appl. No.: **482,360**

[22] Filed: **Feb. 20, 1990**

[52] U.S. Cl. **D8/30**

[58] Field of Search **D8/30, 29.1; 219/137.31**

[56] References Cited

U.S. PATENT DOCUMENTS

D. 289,967	5/1987	Green, Jr.	D8/30
3,227,852	1/1966	Fullerton et al.	219/137.31
3,474,217	10/1969	Conrad	219/37.31 X
4,703,156	10/1987	Hayes	219/137.31 X
4,954,690	9/1990	Kensrue	219/137.31

Primary Examiner—Donald P. Walsh
Assistant Examiner—J. H. Musgrove

FIG. 1 is a top, front and right-side perspective view of a welding gun showing my new design;
 FIG. 2 is a right side elevational view;
 FIG. 3 is a top plan view;
 FIG. 4 is a left side elevational view;
 FIG. 5 is a front elevational view;
 FIG. 6 is a rear elevational view;
 FIG. 7 is a bottom plan view;
 FIG. 8 is a top, front and right-side perspective view of a second embodiment of my new design of FIGS. 1-7;
 FIG. 9 is a front elevational view of FIG. 7;
 FIG. 10 is a rear elevational view of FIG. 7;
 FIG. 11 is a right side elevational view of FIG. 7;
 FIG. 12 is a top plan view of FIG. 7;
 FIG. 13 is a left side elevational view of FIG. 7; and,
 FIG. 14 is a bottom plan view of FIG. 7.

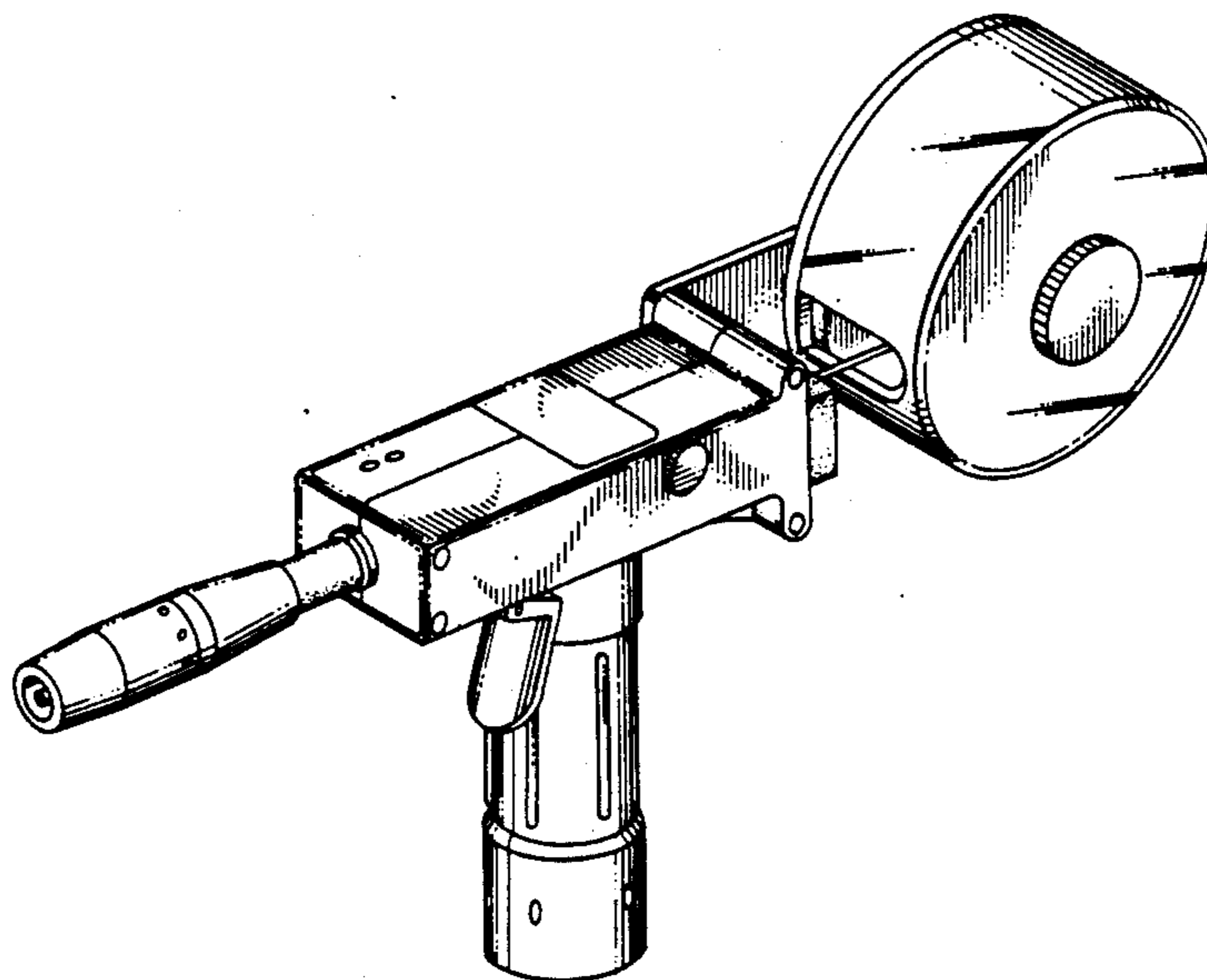
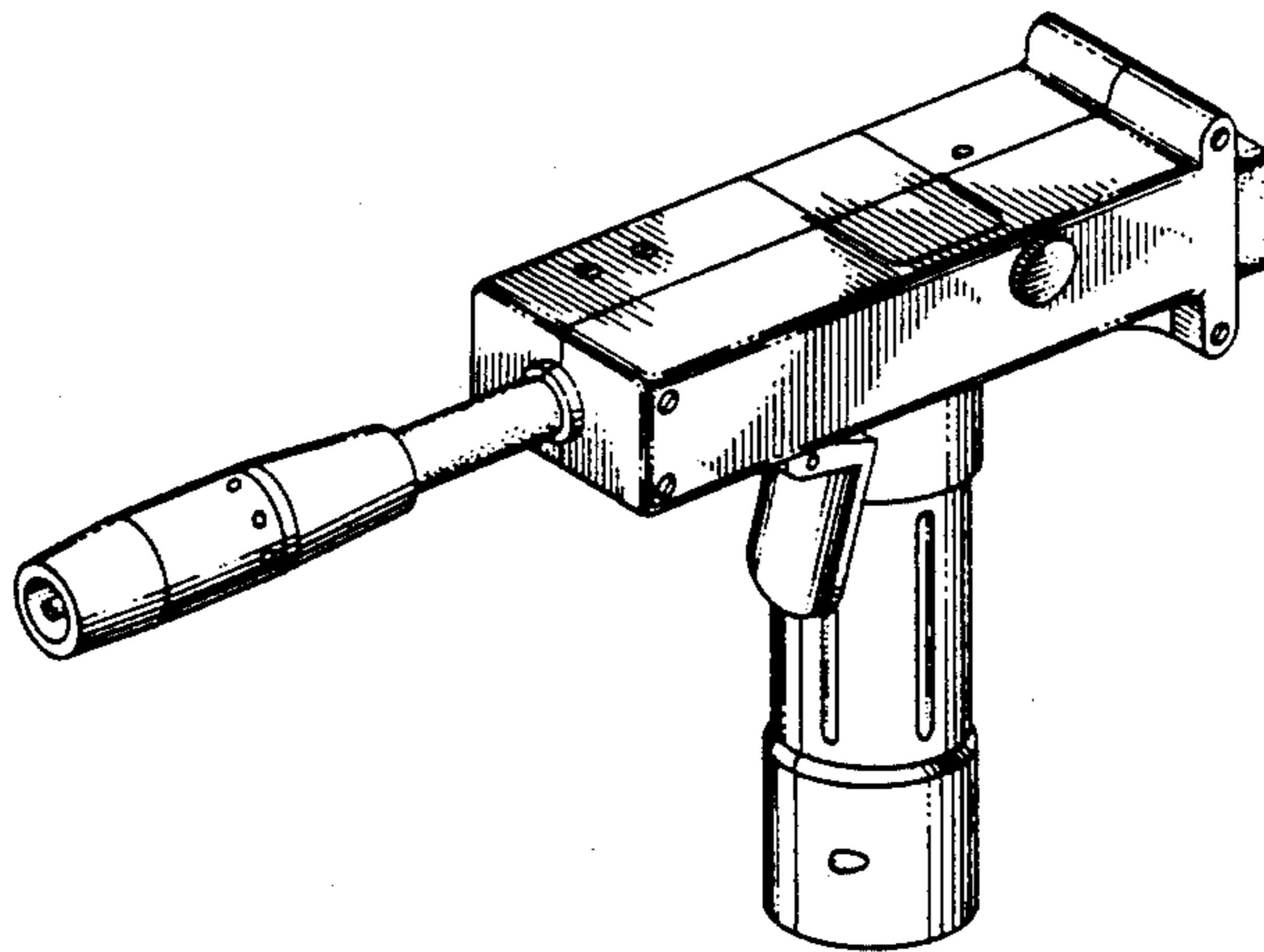


FIG. 1

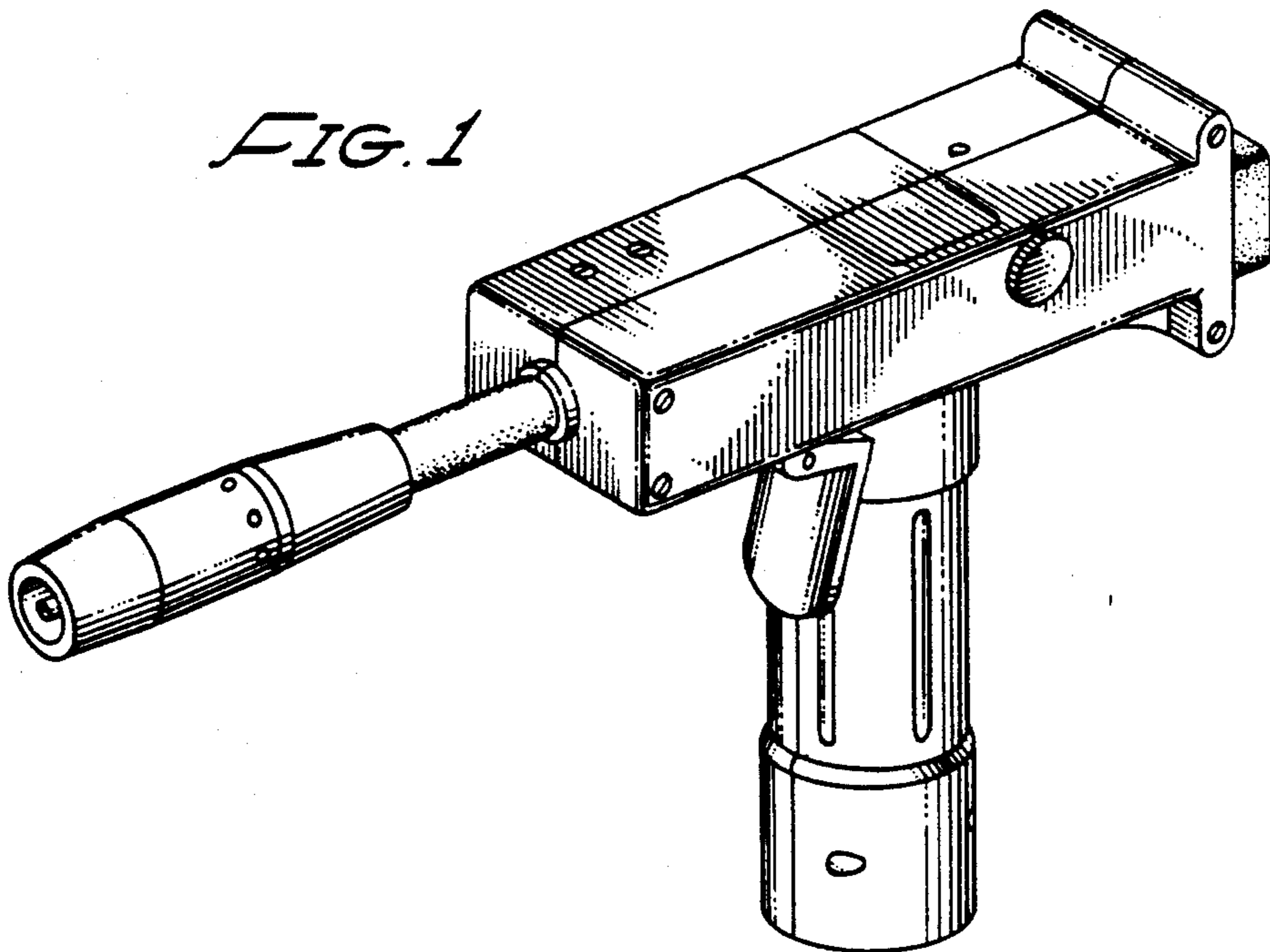


FIG. 2

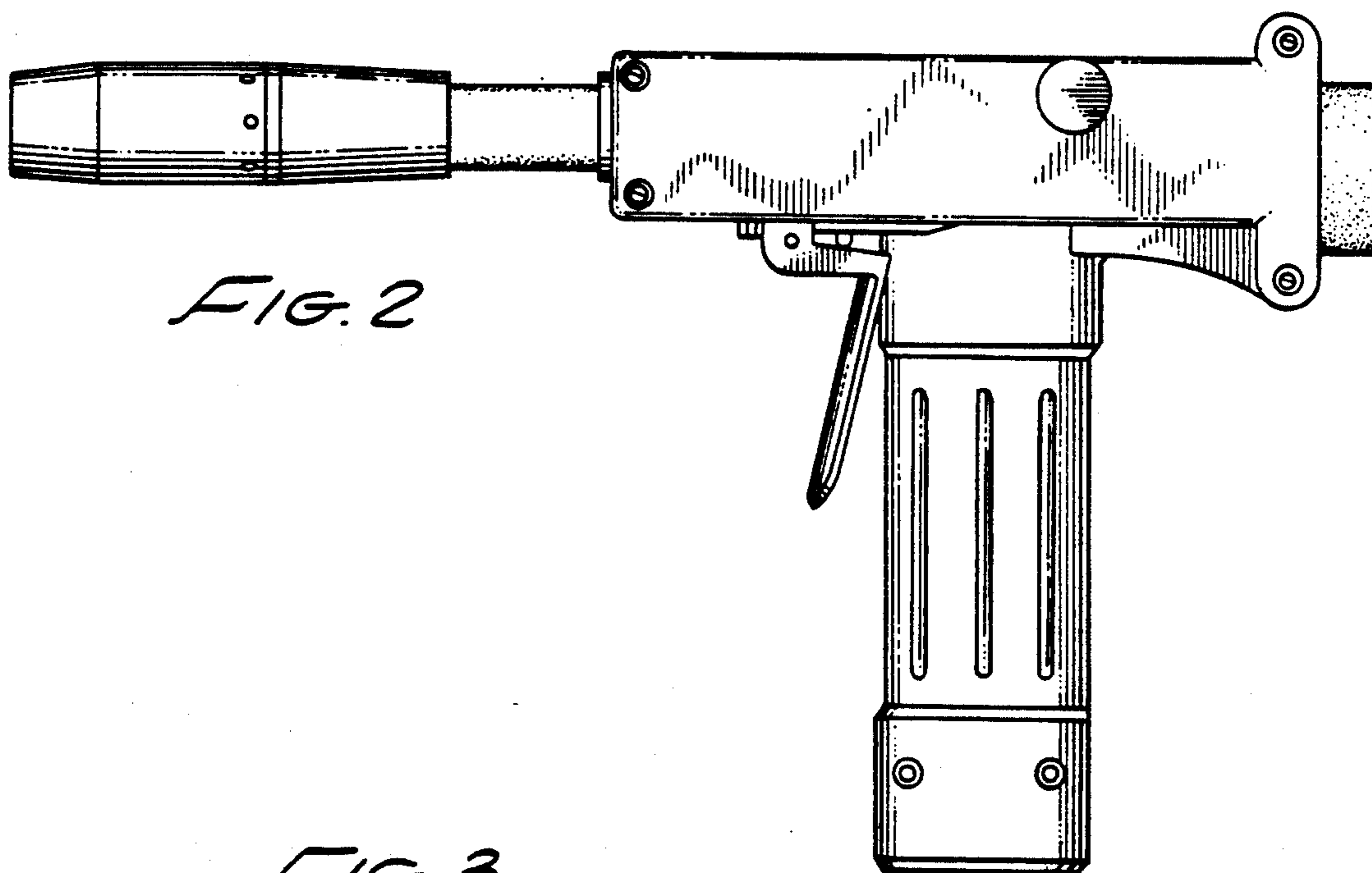
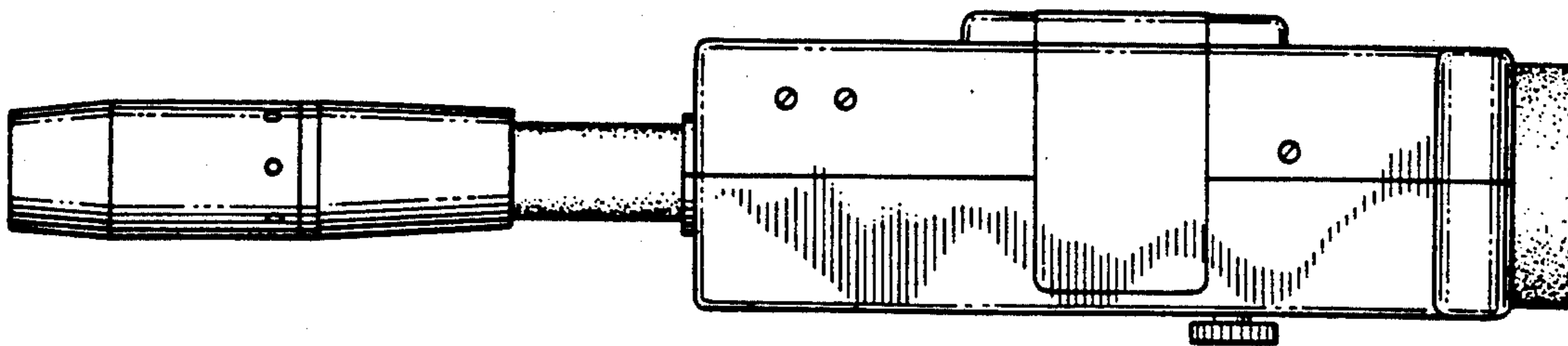


FIG. 3



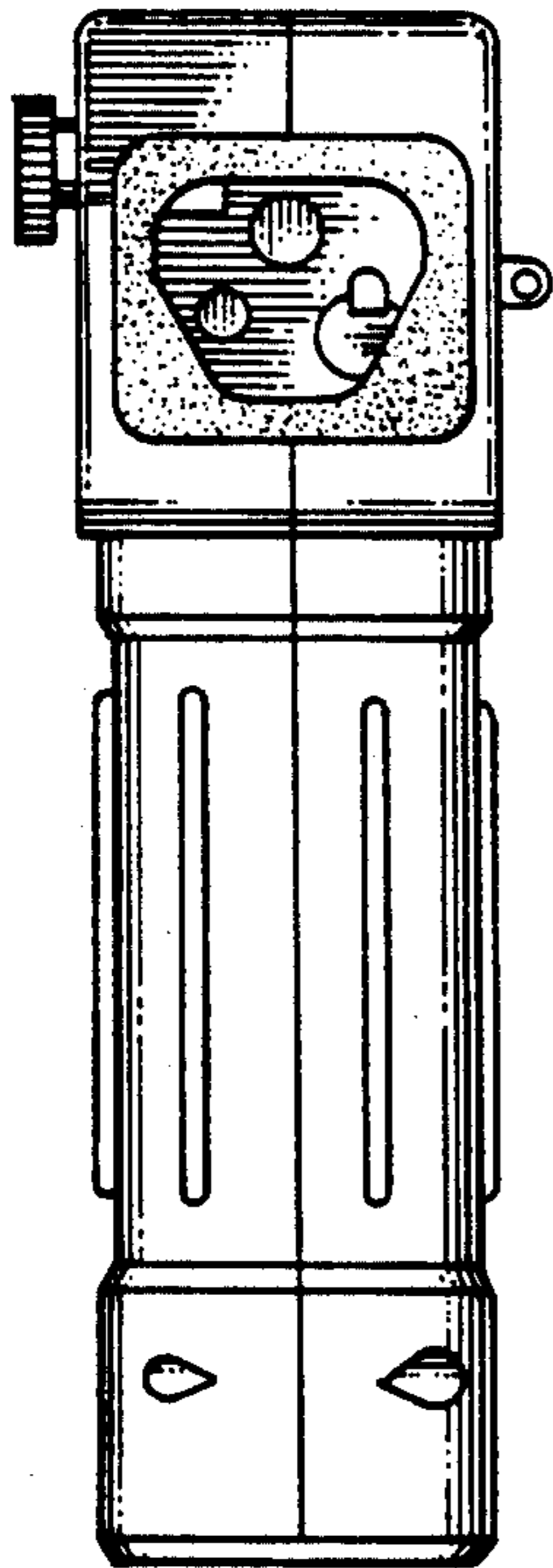
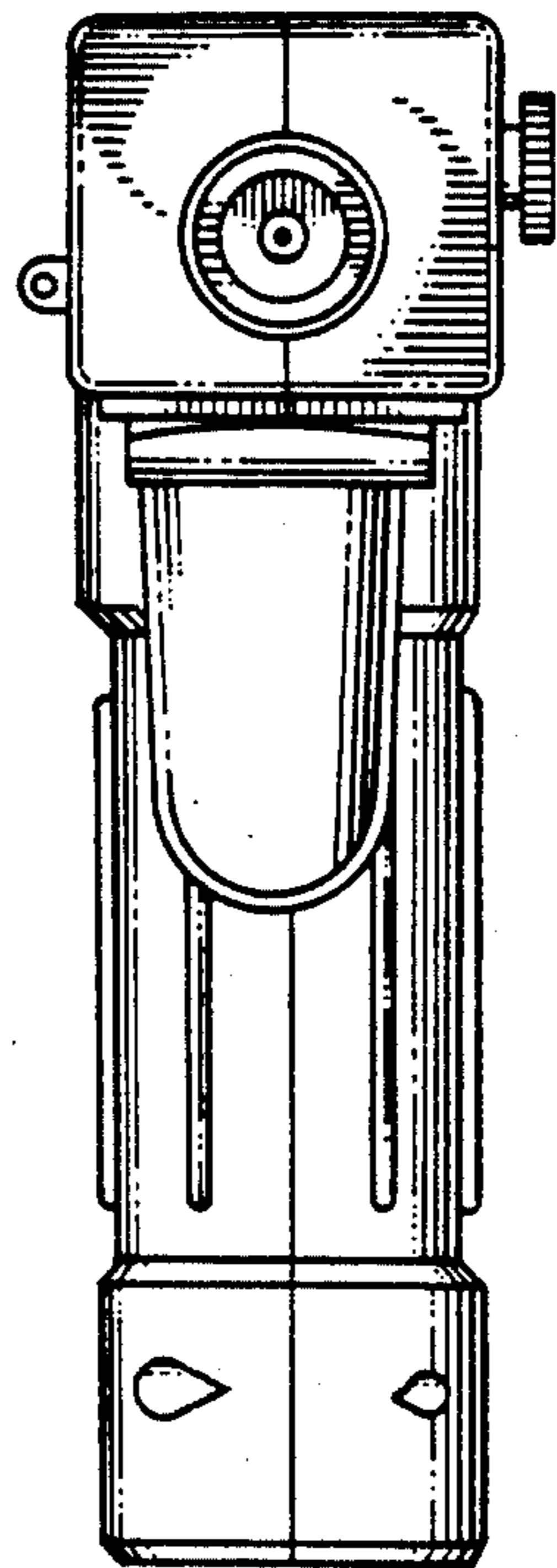
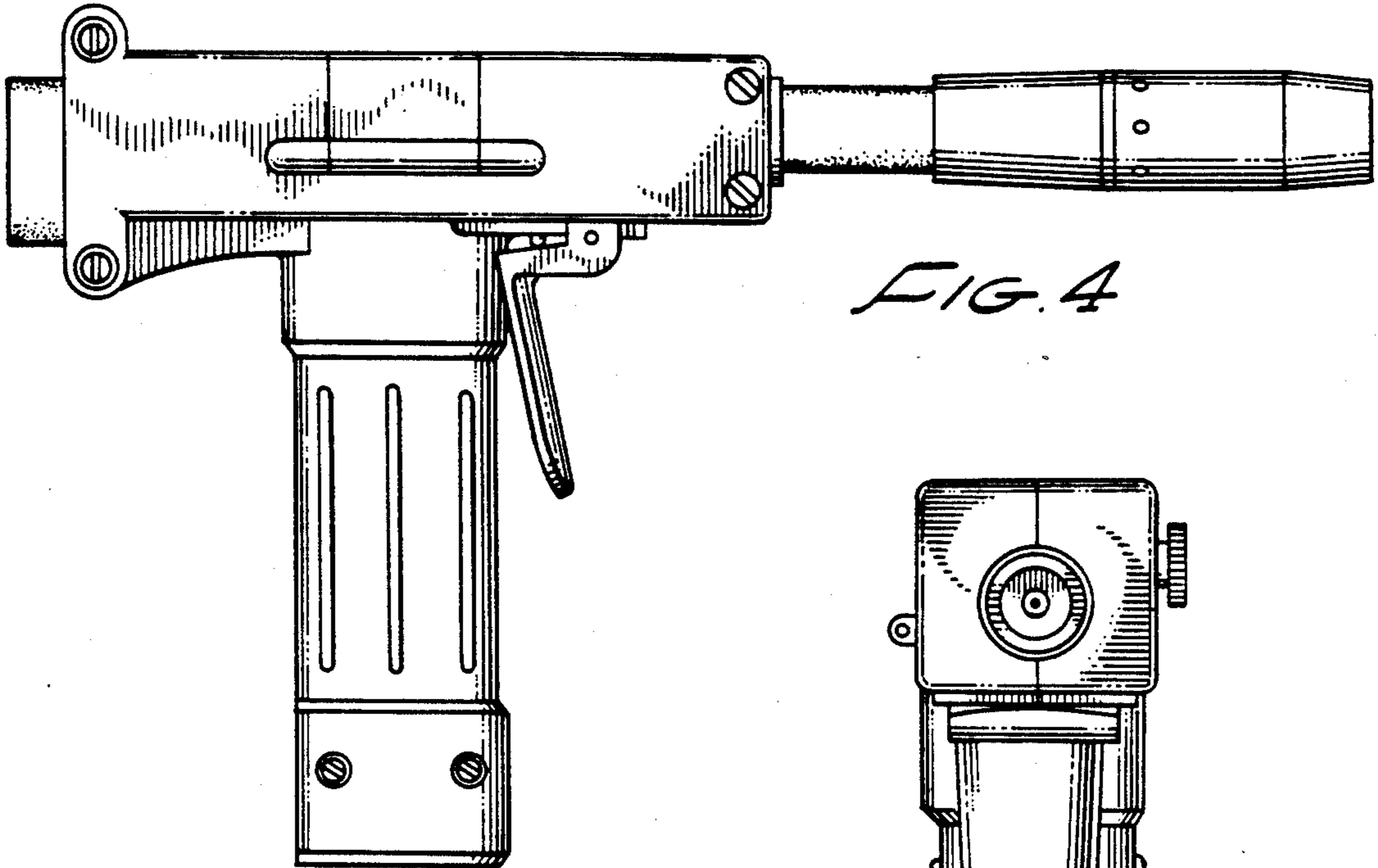


FIG. 5

FIG. 6

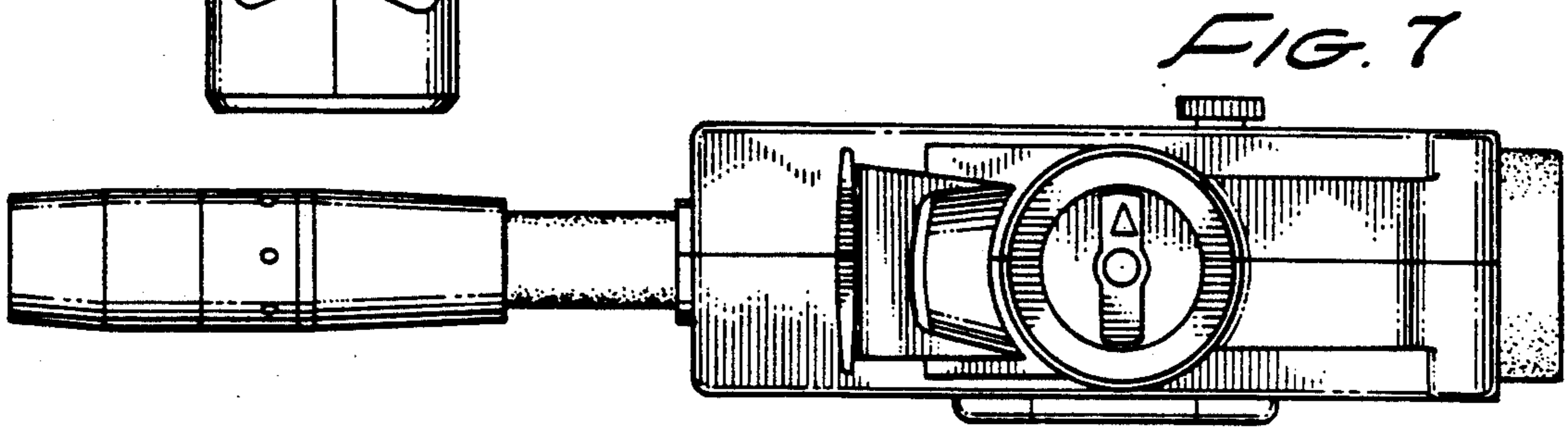
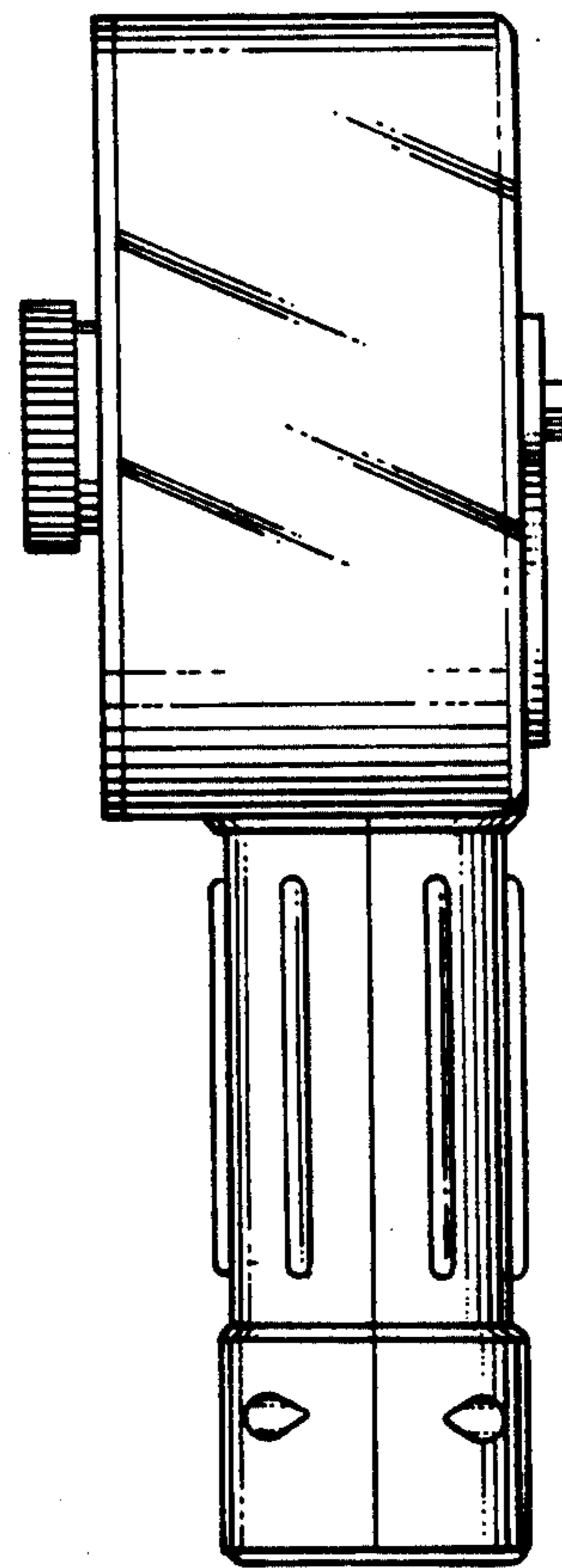
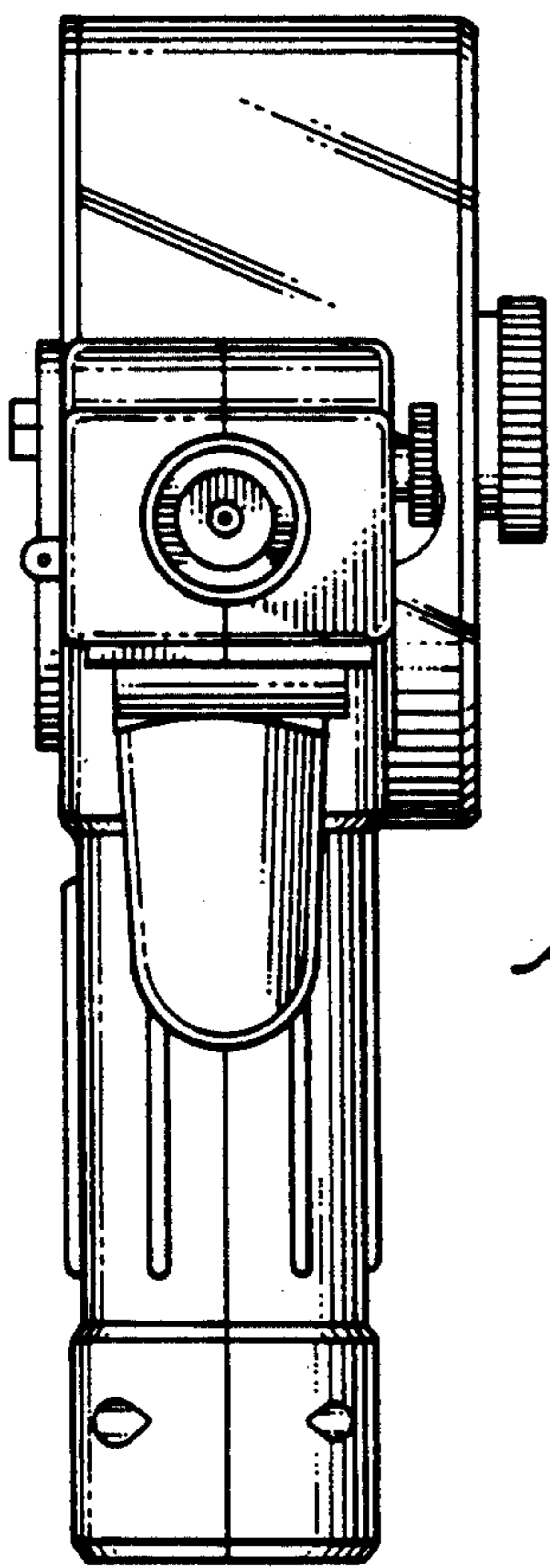
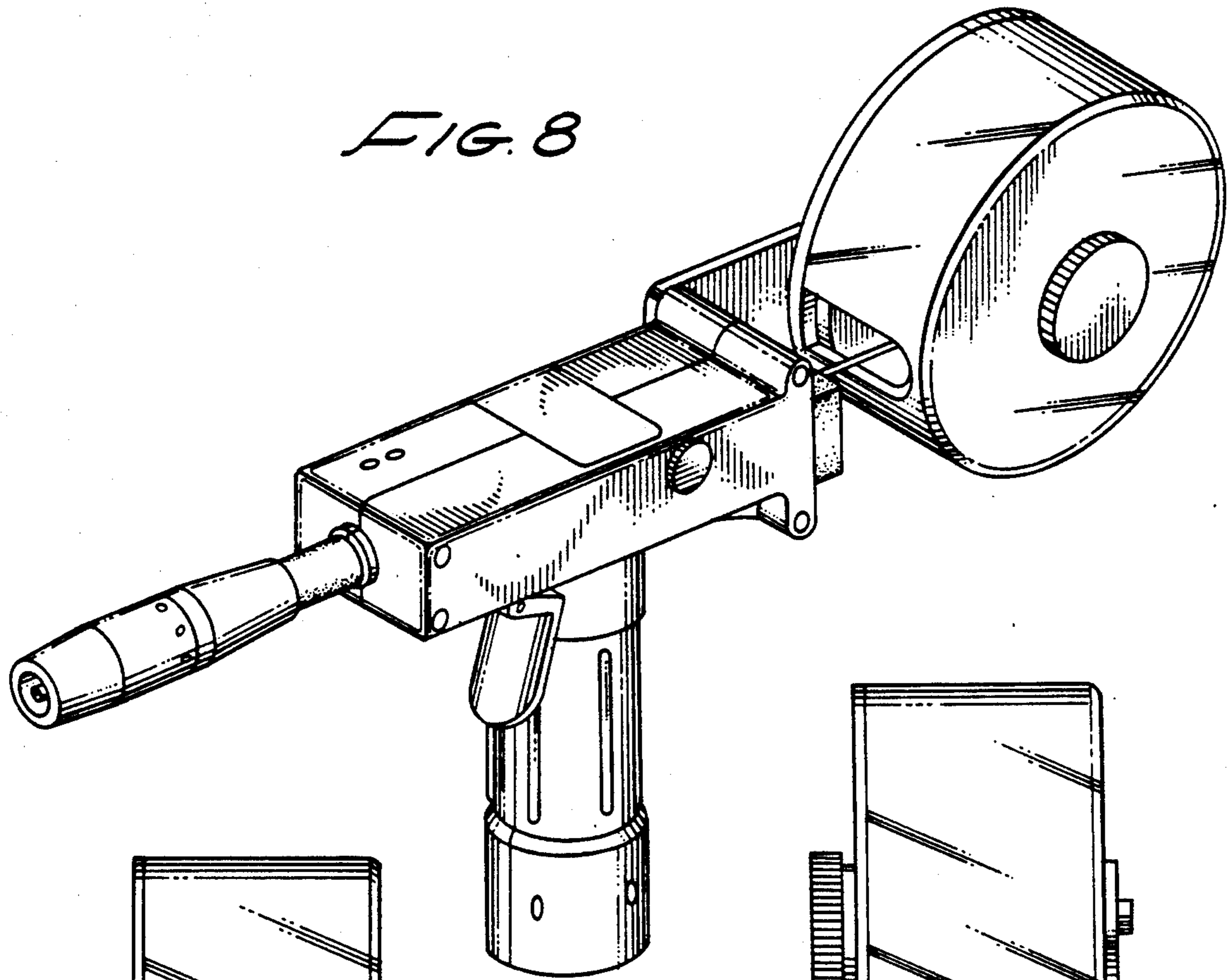


FIG. 7



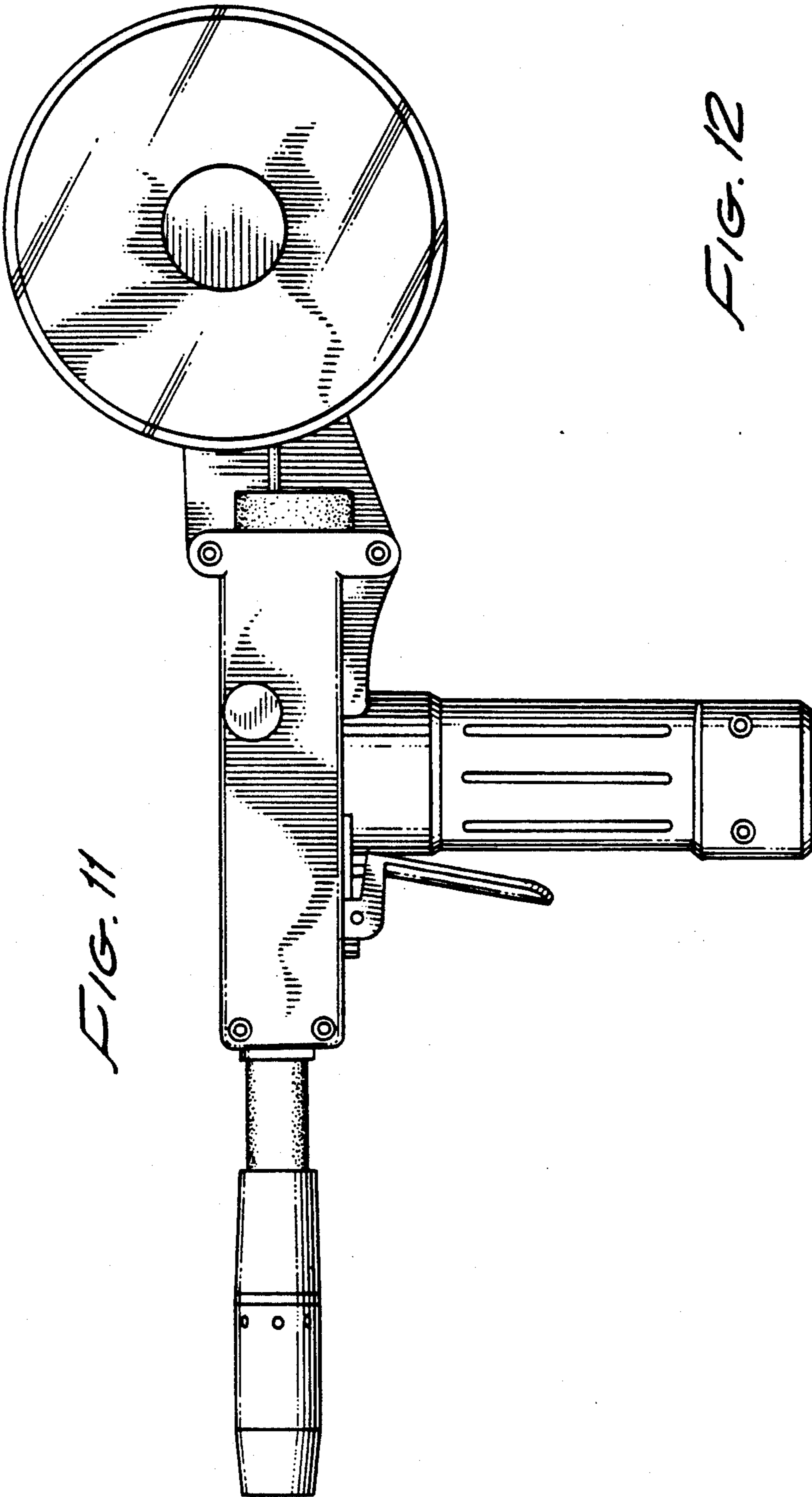


FIG. 12

