



US00D329169S

# United States Patent [19]

[11] Patent Number: **Des. 329,169**

**Robbins, III**

[45] Date of Patent: **\*\* Sep. 8, 1992**

[54] **COLLAPSIBLE WATER COOLER CONTAINER**

[76] Inventor: **Edward S. Robbins, III**, 459 North Ct., Florence, Ala. 35631

[\*\*] Term: **14 Years**

[21] Appl. No.: **594,199**

[22] Filed: **Oct. 9, 1990**

[52] U.S. Cl. .... **D7/397; D7/300; D7/306**

[58] Field of Search ..... **D7/397, 300, 306, 305, D7/300.1, 311, 512; 222/215, 185, 210, 207, 146.6, 107, 83, 95, 211, 105, 190; D9/405, 373; D20/1-9; D21/105**

3,213,913 10/1965 Petriello ..... 150/5  
 3,229,014 1/1966 Petriello ..... 264/250  
 3,494,509 2/1970 McGuire ..... 222/107  
 3,592,360 7/1971 Aleck ..... 222/95  
 3,875,941 4/1975 Adair ..... 128/278  
 3,884,228 5/1975 Hahn ..... 128/214  
 4,087,024 5/1978 Martin et al. .... 222/211  
 4,428,507 1/1984 Sneider ..... 222/105  
 4,773,458 9/1988 Touzani ..... 150/55  
 4,775,564 10/1988 Shriver et al. .... 428/35  
 4,846,376 7/1989 Palmer ..... 222/190  
 4,892,207 1/1990 Cullis ..... D7/306 X

*Primary Examiner*—Donald P. Walsh  
*Assistant Examiner*—M. N. Pandozzi  
*Attorney, Agent, or Firm*—Nixon & Vanderhye

[56] **References Cited**  
**U.S. PATENT DOCUMENTS**

D. 85,243 9/1931 Kanter ..... D20/8 X  
 D. 95,326 4/1935 Ganz ..... D9/405  
 D. 96,615 8/1935 Lelong ..... D9/405  
 D. 110,613 7/1938 Doughty ..... D7/300  
 D. 119,089 2/1940 Leach ..... D9/405  
 D. 121,419 7/1940 King ..... D9/405  
 D. 236,170 7/1975 Birrell ..... D7/311  
 D. 275,022 8/1984 Simpson et al. .... D21/105  
 D. 312,966 12/1990 Mansau ..... D9/405 X  
 1,260,779 3/1918 Koos ..... D7/512 X  
 2,784,882 3/1957 Du Bois ..... 222/215  
 3,058,627 10/1962 Eskridge ..... 222/210  
 3,083,877 4/1963 Gash ..... 222/107  
 3,143,429 8/1964 Swanson et al. .... 99/171  
 3,156,383 11/1964 Melli ..... 222/83

[57] **CLAIM**

The ornamental design for a collapsible water cooler container, as shown and described.

**DESCRIPTION**

FIG. 1 is a top, front, right perspective view of a collapsible water cooler container showing my new design;  
 FIG. 2 is a top plan view thereof;  
 FIG. 3 is a front elevational view thereof;  
 FIG. 4 is a rear elevational view thereof;  
 FIG. 5 is a right side elevational view, the left side elevational view being a mirror image thereof; and,  
 FIG. 6 is a bottom plan view thereof.  
 The broken line showing of a water cooler base is for illustrative purposes only and forms no part of the claimed design.

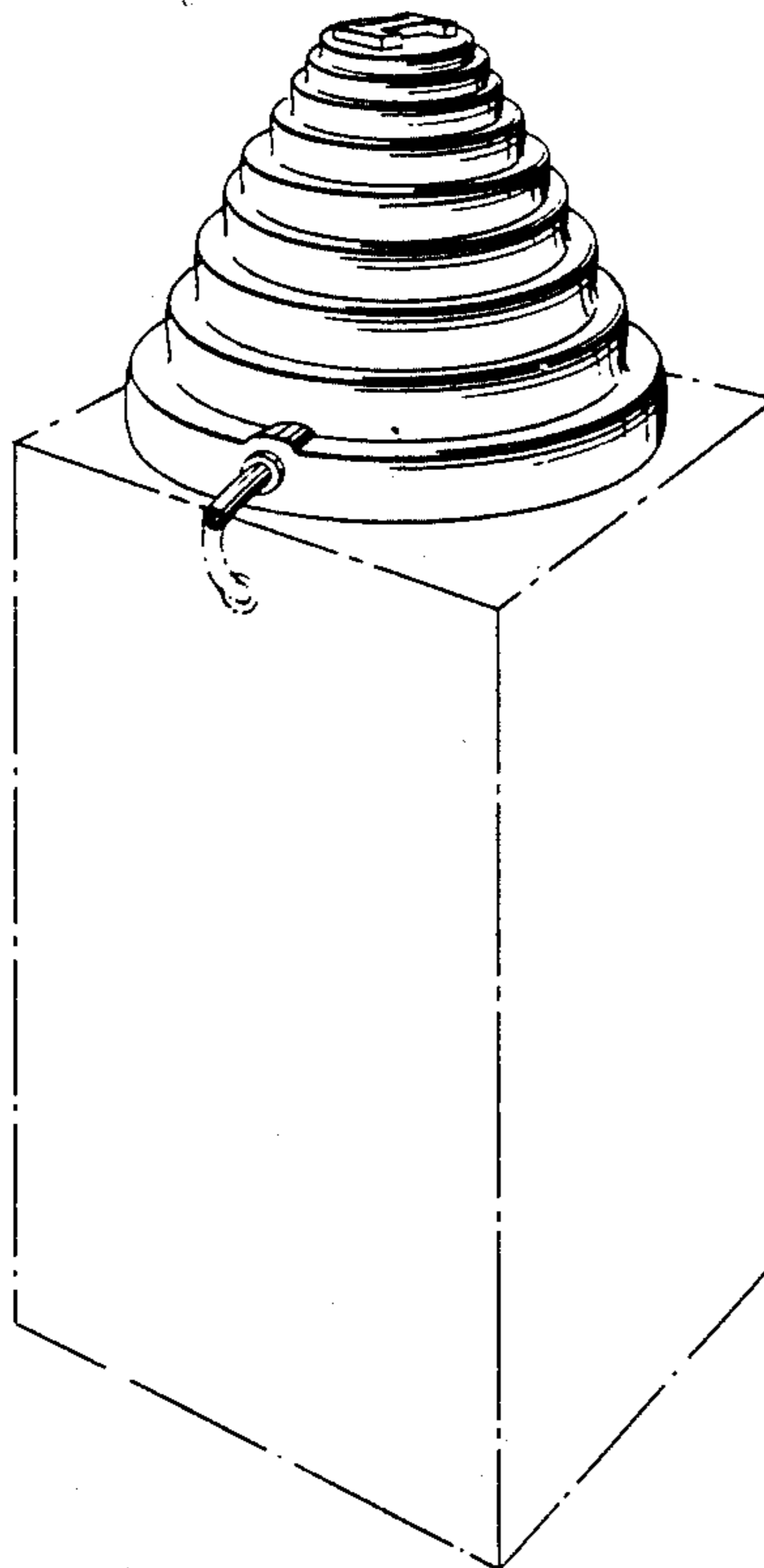
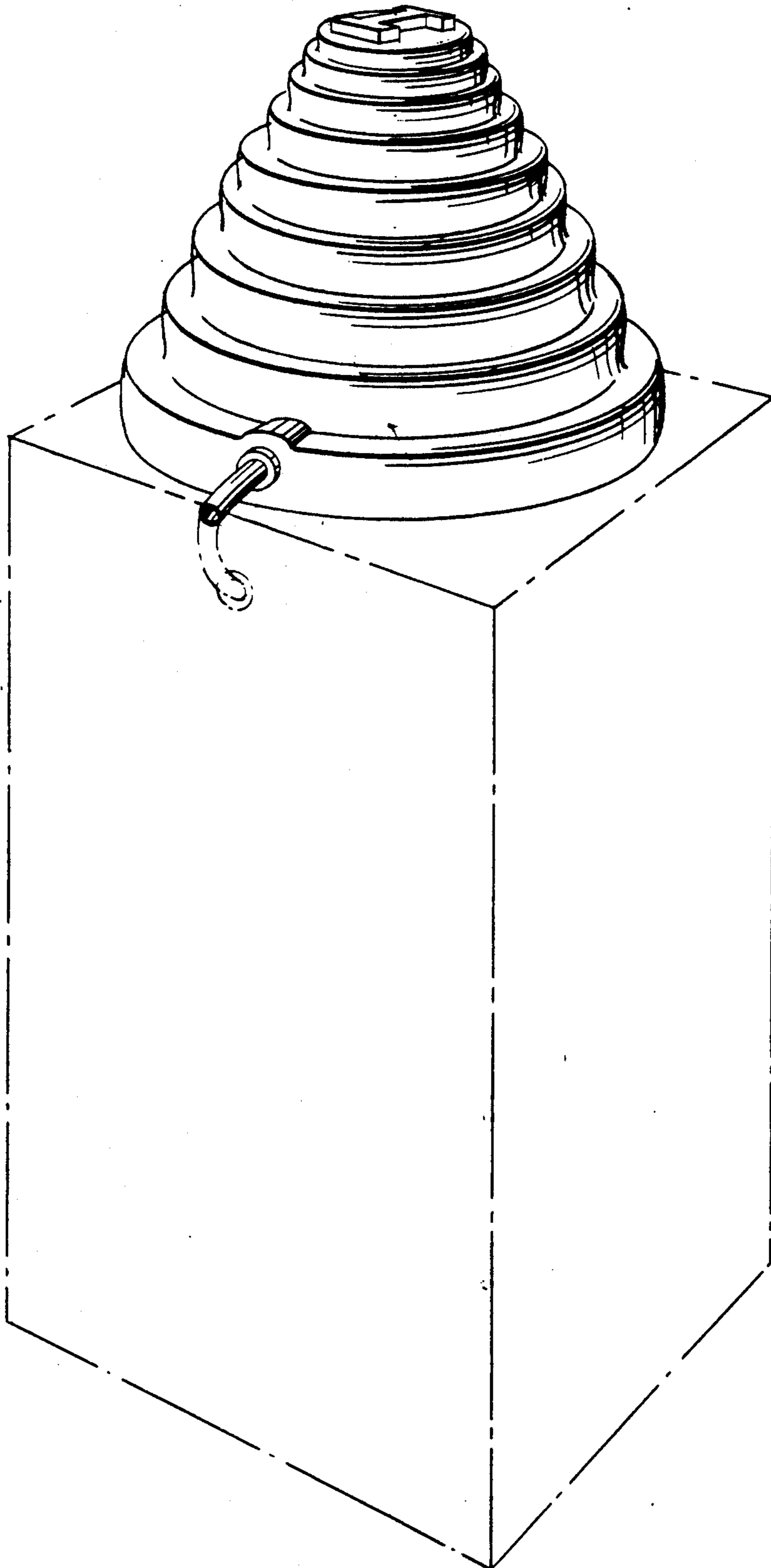


FIG. 1



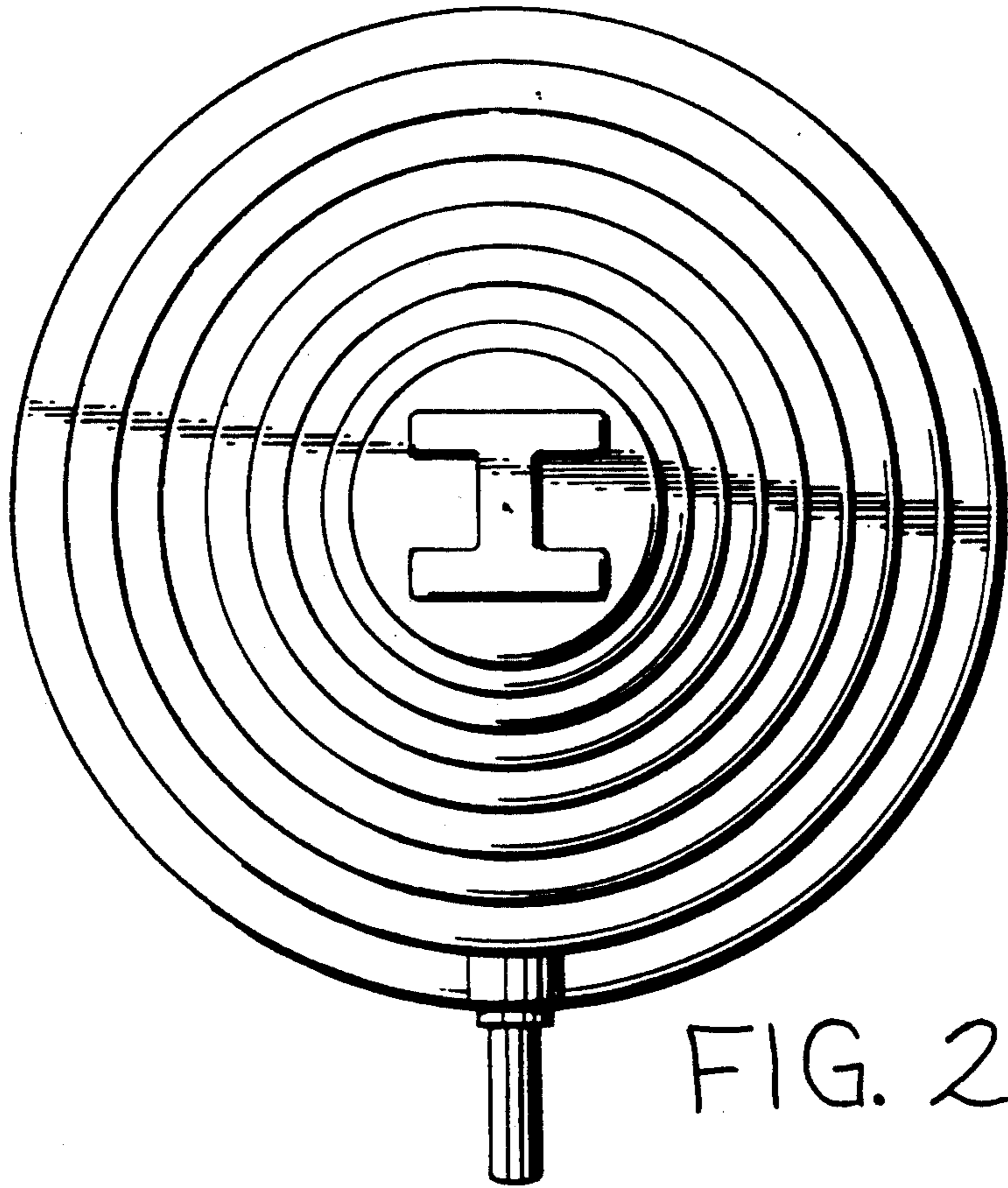


FIG. 2

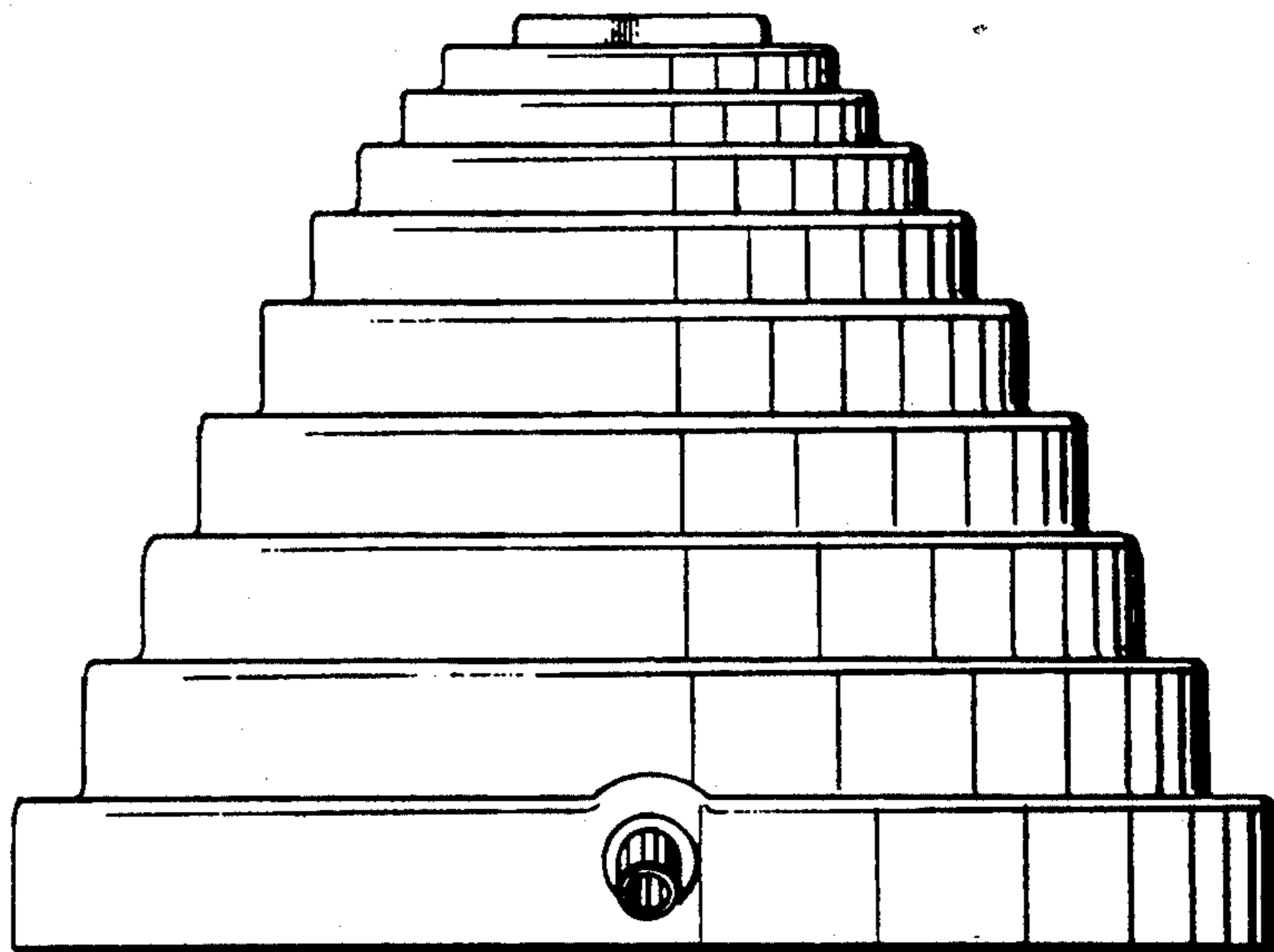


FIG. 3

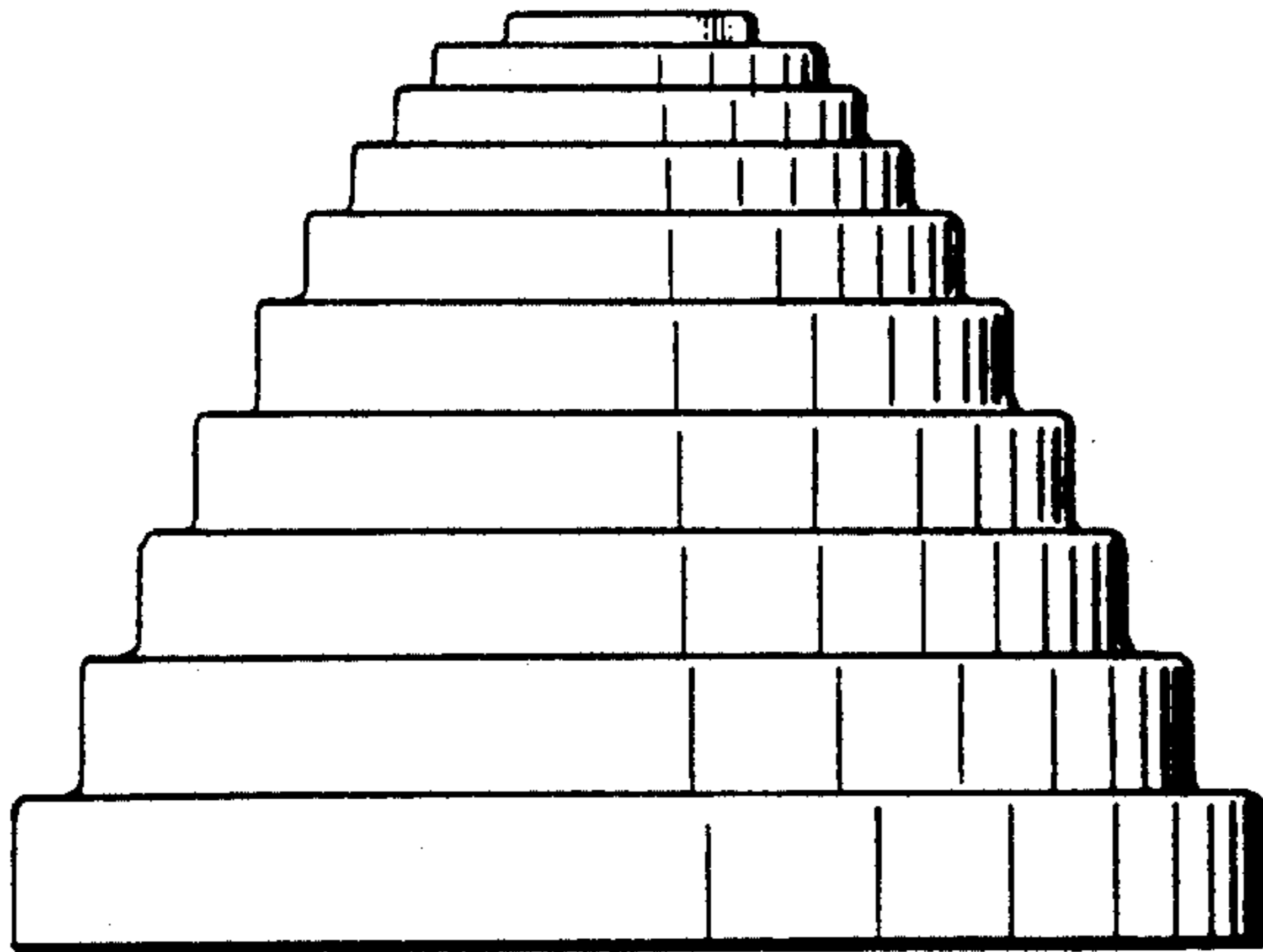


FIG. 4

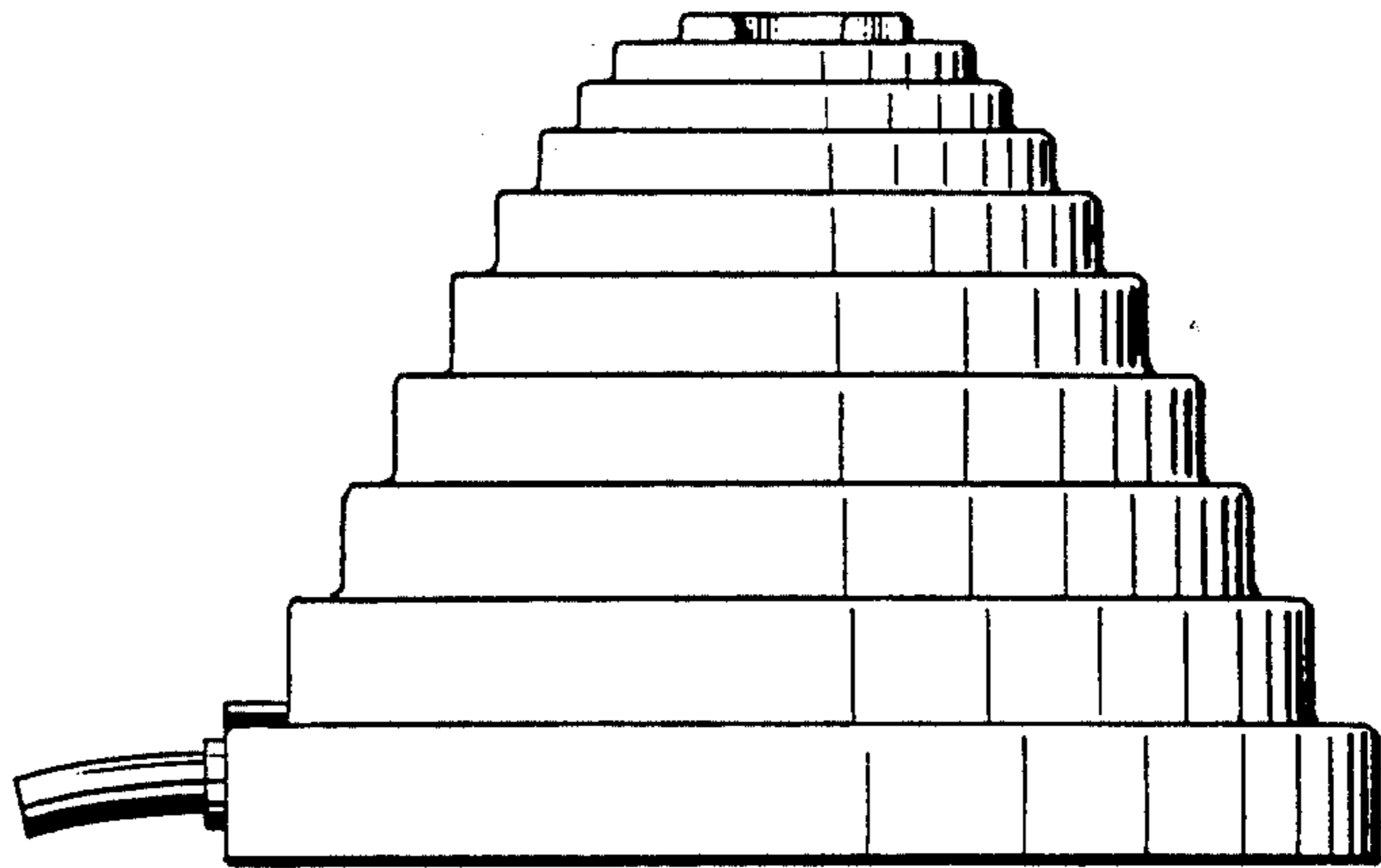


FIG. 5

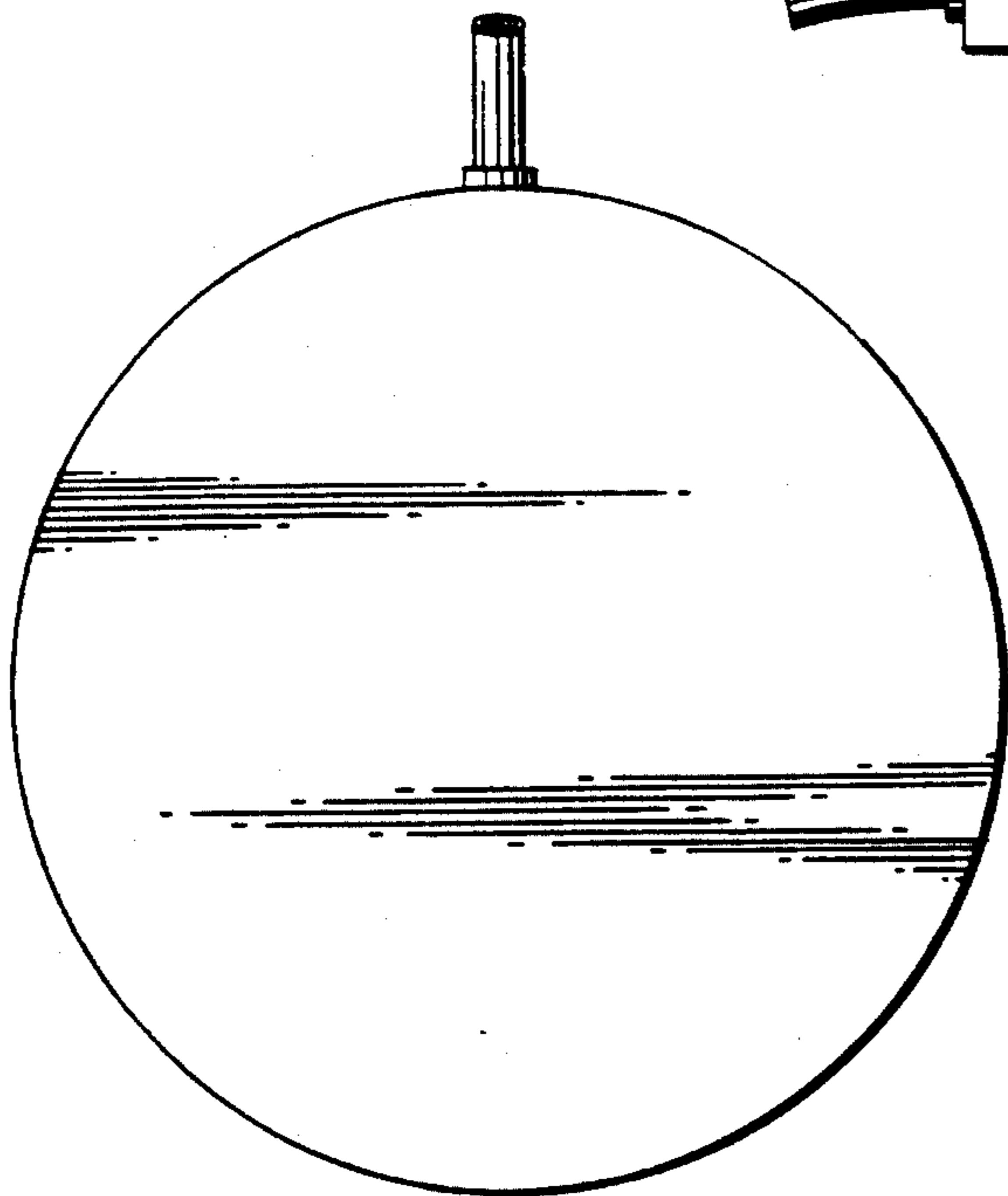


FIG. 6