



US00D329168S

# United States Patent [19]

[11] Patent Number: **Des. 329,168**

**Robbins, III**

[45] Date of Patent: **\*\* Sep. 8, 1992**

- [54] **COLLAPSIBLE WATER COOLER CONTAINER**
- [76] Inventor: **Edward S. Robbins, III**, 459 North Ct., Florence, Ala. 35631
- [\*\*] Term: **14 Years**
- [21] Appl. No.: **594,197**
- [22] Filed: **Oct. 9, 1990**
- [52] U.S. Cl. .... **D7/397; D7/300; D7/306**
- [58] Field of Search ..... **D7/397, 300, 306, 305, D7/300.1, 311, 512; 222/215, 185, 210, 207, 146.6, 107, 83, 95, 211, 105, 190; D9/405, 373; D20/1-9; D21/105**

|           |         |                     |          |
|-----------|---------|---------------------|----------|
| 3,494,509 | 2/1970  | McGuire .....       | 222/107  |
| 3,592,360 | 7/1971  | Aleck .....         | 222/95   |
| 3,875,941 | 4/1975  | Adair .....         | 128/278  |
| 3,884,228 | 5/1975  | Hahn .....          | 128/214  |
| 4,087,024 | 5/1978  | Martin et al. ....  | 222/211  |
| 4,428,507 | 1/1984  | Sneider .....       | 222/105  |
| 4,773,458 | 9/1988  | Touzani .....       | 150/55   |
| 4,775,564 | 10/1988 | Shriver et al. .... | 428/35   |
| 4,846,376 | 7/1989  | Palmer .....        | 222/190  |
| 4,892,207 | 1/1990  | Cullis .....        | D7/306 X |

### OTHER PUBLICATIONS

Sheet Bottle in Modern Packaging, Apr. 1963.  
 Water Cooler in Ad for Maine Poland Spring Water in NY Times, Nov. 4, 1987.

*Primary Examiner*—Donald P. Walsh  
*Assistant Examiner*—M. N. Pandozzi  
*Attorney, Agent, or Firm*—Nixon & Vanderhye

### [56] References Cited

#### U.S. PATENT DOCUMENTS

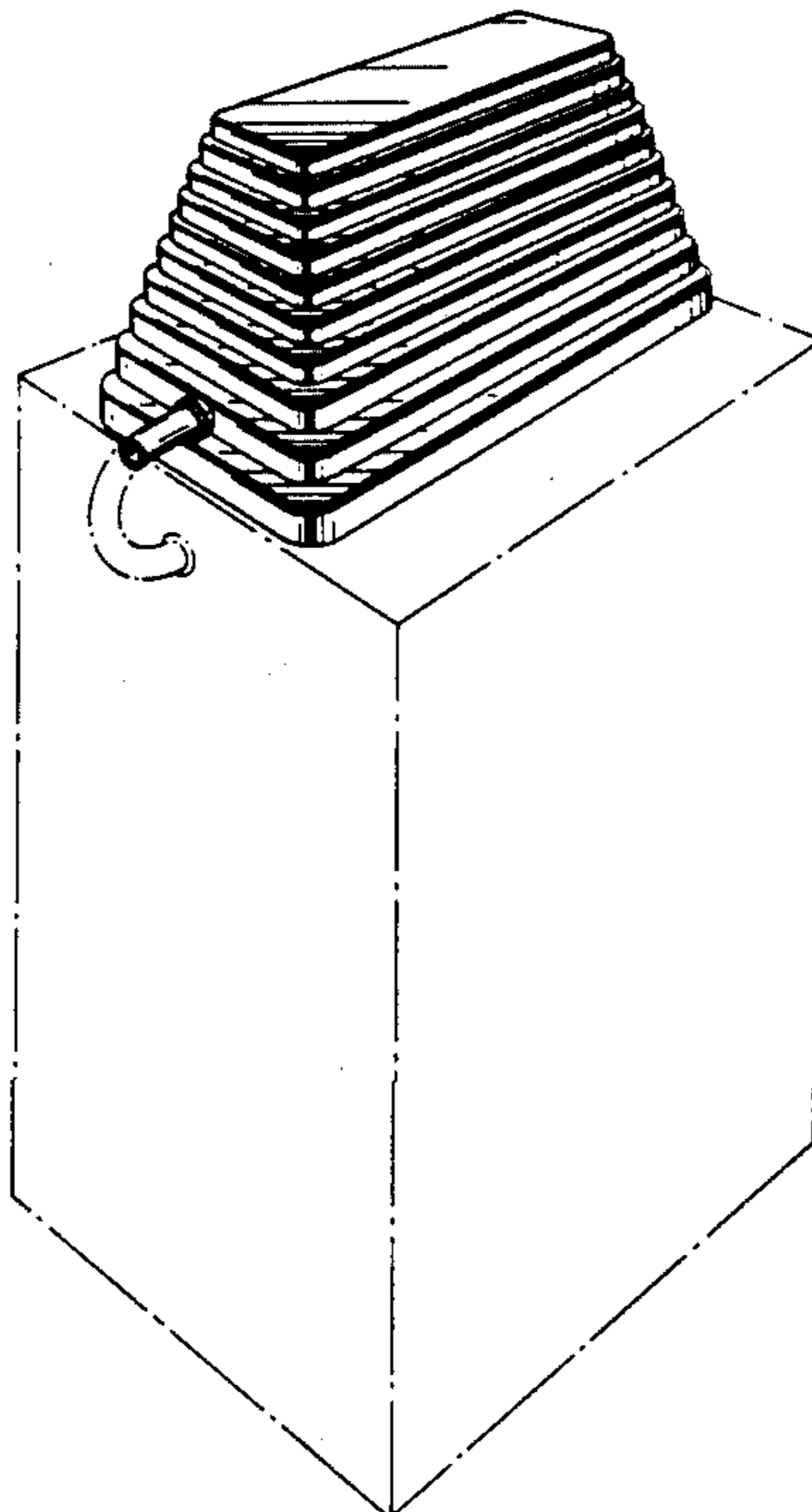
|            |         |                     |          |
|------------|---------|---------------------|----------|
| D. 85,243  | 9/1931  | Kanter .....        | D20/8 X  |
| D. 95,326  | 4/1935  | Ganz .....          | D9/405   |
| D. 96,615  | 8/1935  | Lelong .....        | D9/405   |
| D. 110,613 | 7/1938  | Doughty .....       | D7/300   |
| D. 119,089 | 2/1940  | Leach .....         | D9/405   |
| D. 121,419 | 7/1940  | King .....          | D9/405   |
| D. 236,170 | 7/1975  | Birrell .....       | D7/311   |
| D. 275,022 | 8/1984  | Simpson et al. .... | D21/105  |
| D. 312,966 | 12/1990 | Mansau .....        | D9/405 X |
| 1,260,779  | 3/1918  | Koos .....          | D7/512 X |
| 2,784,882  | 3/1957  | DuBois .....        | 222/215  |
| 3,058,627  | 10/1962 | Eskridge .....      | 222/210  |
| 3,083,877  | 4/1963  | Gash .....          | 222/107  |
| 3,143,429  | 8/1964  | Swanson et al. .... | 99/171   |
| 3,156,383  | 11/1964 | Melli .....         | 222/83   |
| 3,213,913  | 10/1965 | Petriello .....     | 150/5    |
| 3,229,014  | 1/1966  | Petriello .....     | 264/250  |

### [57] CLAIM

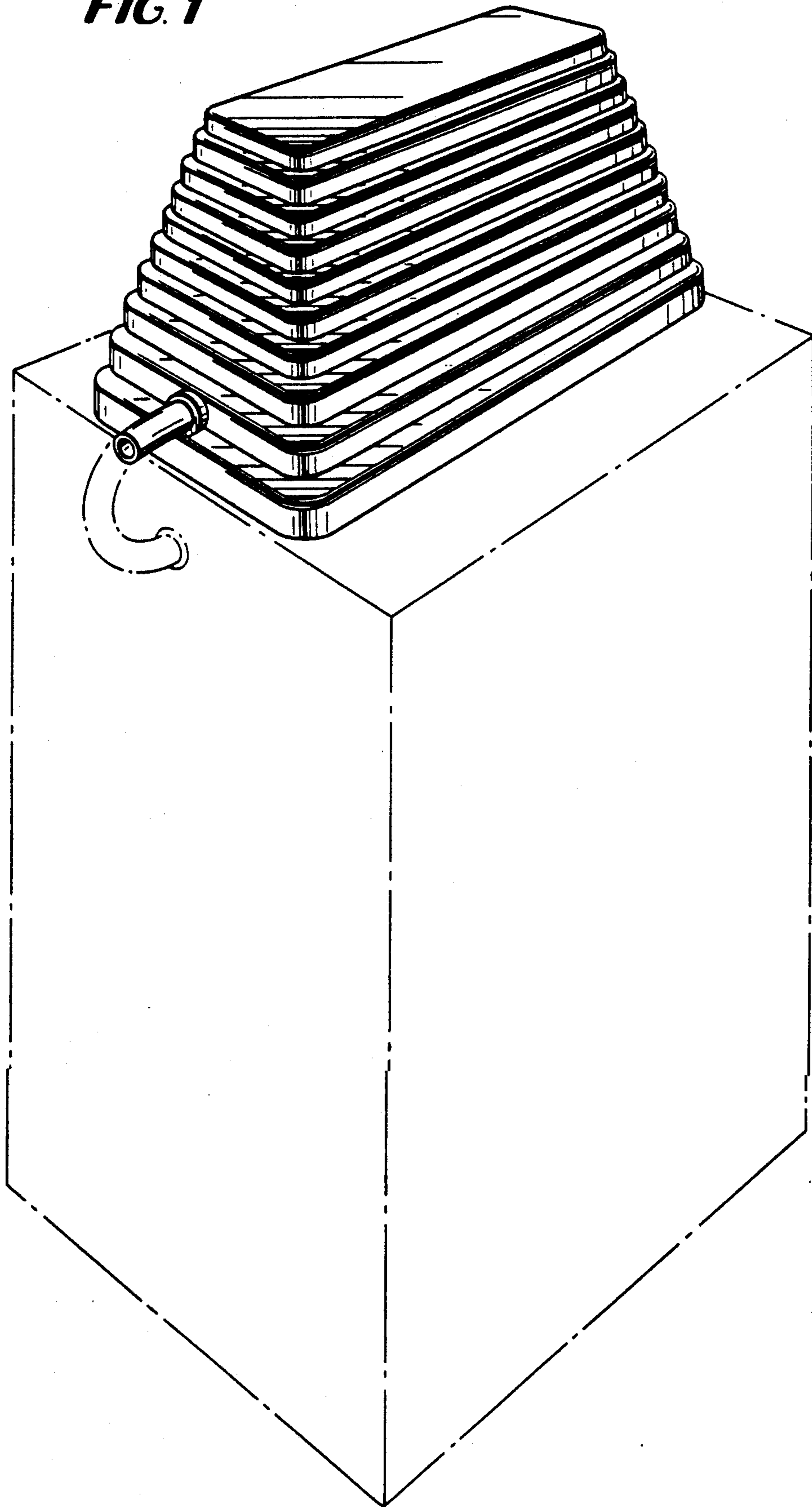
The ornamental design for a collapsible water cooler container, as shown and described.

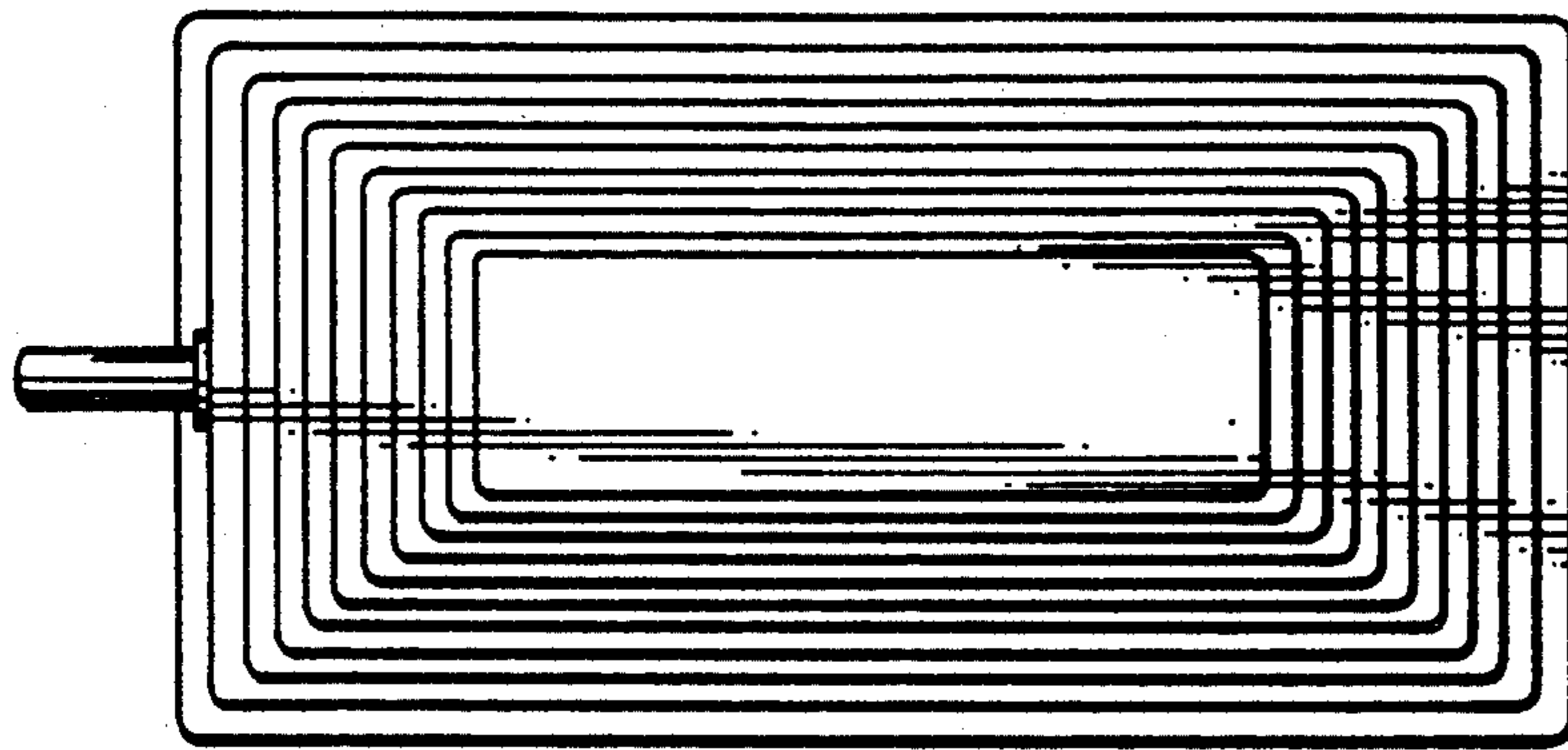
### DESCRIPTION

FIG. 1 is a top, front, right side elevational view of a collapsible water cooler container showing my new design;  
 FIG. 2 is a top plan view thereof;  
 FIG. 3 is a right side elevational view, the left side elevational view being a mirror image thereof;  
 FIG. 4 is a bottom plan view thereof;  
 FIG. 5 is a front elevational view thereof; and,  
 FIG. 6 is a rear elevational view thereof.  
 The broken line showing of a water cooler base is for illustrative purposes only and forms no part of the claimed design.

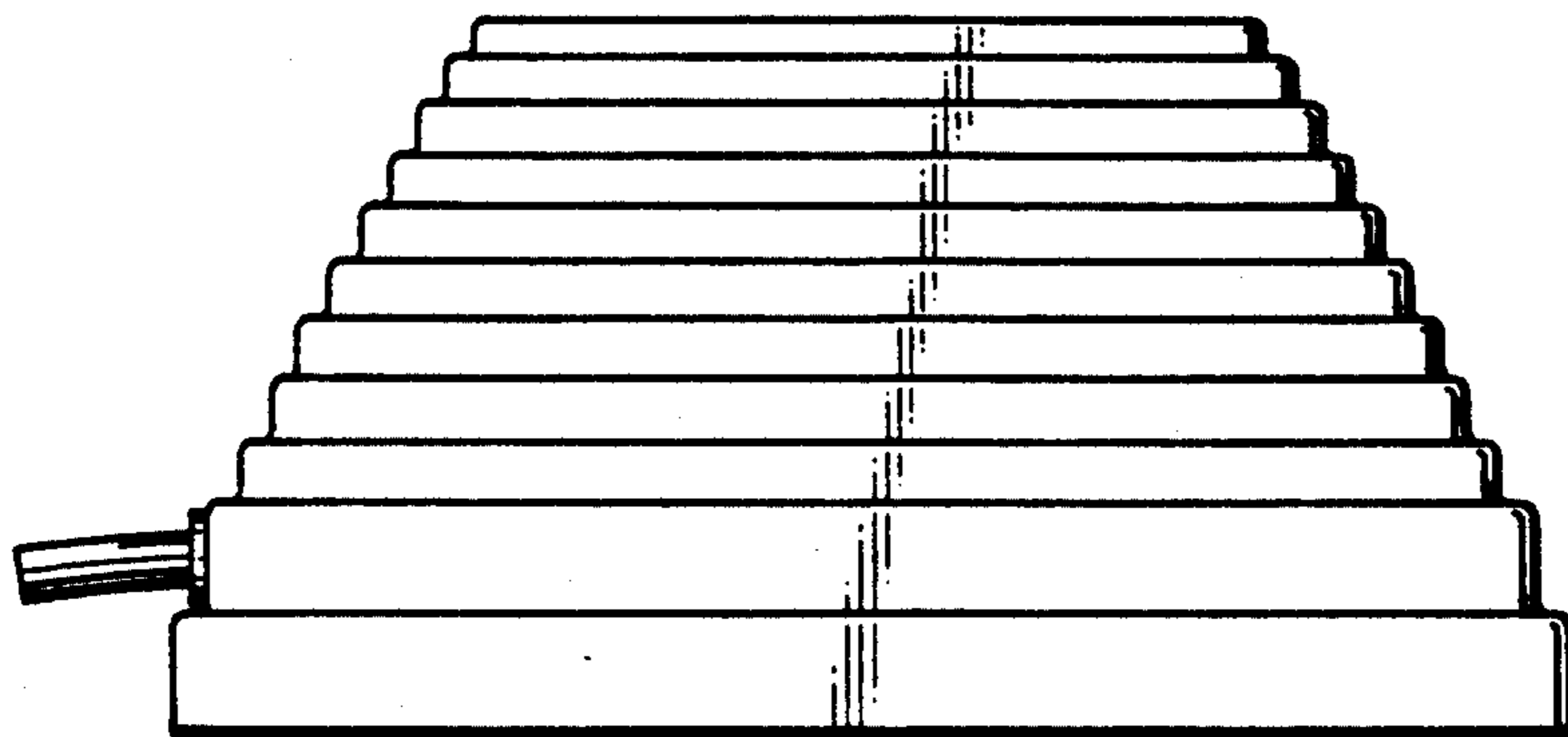


**FIG. 1**

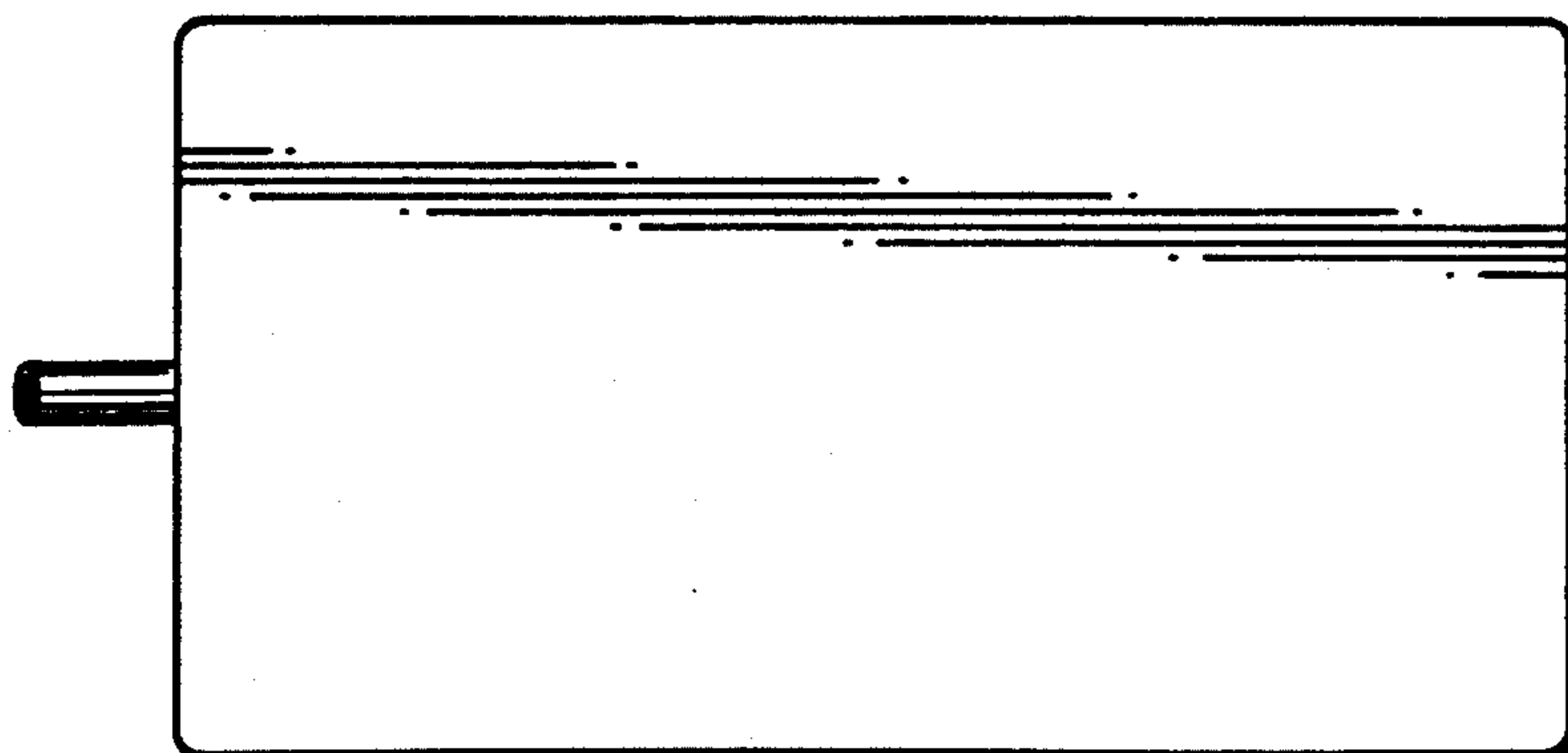




**FIG. 2**

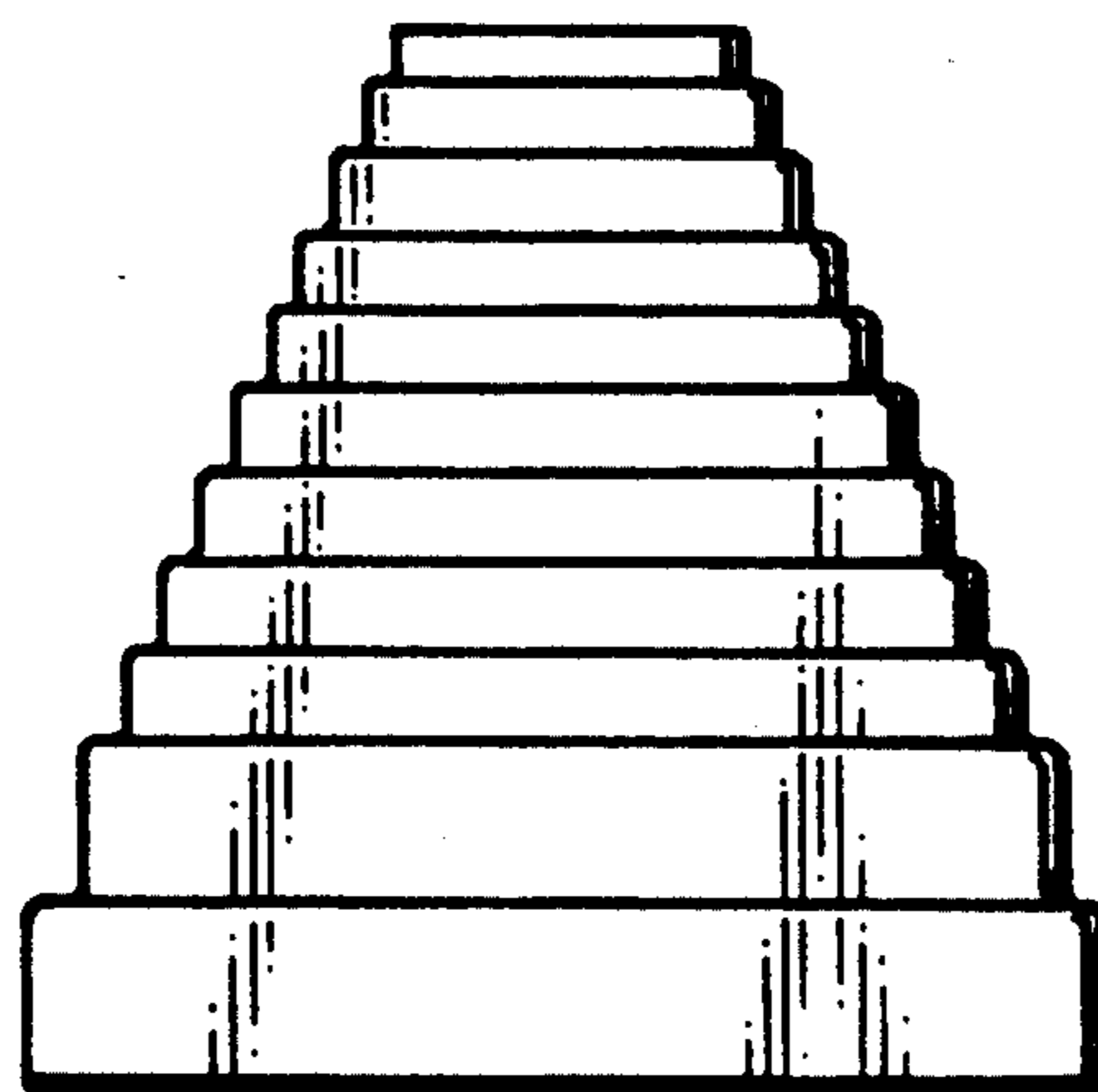
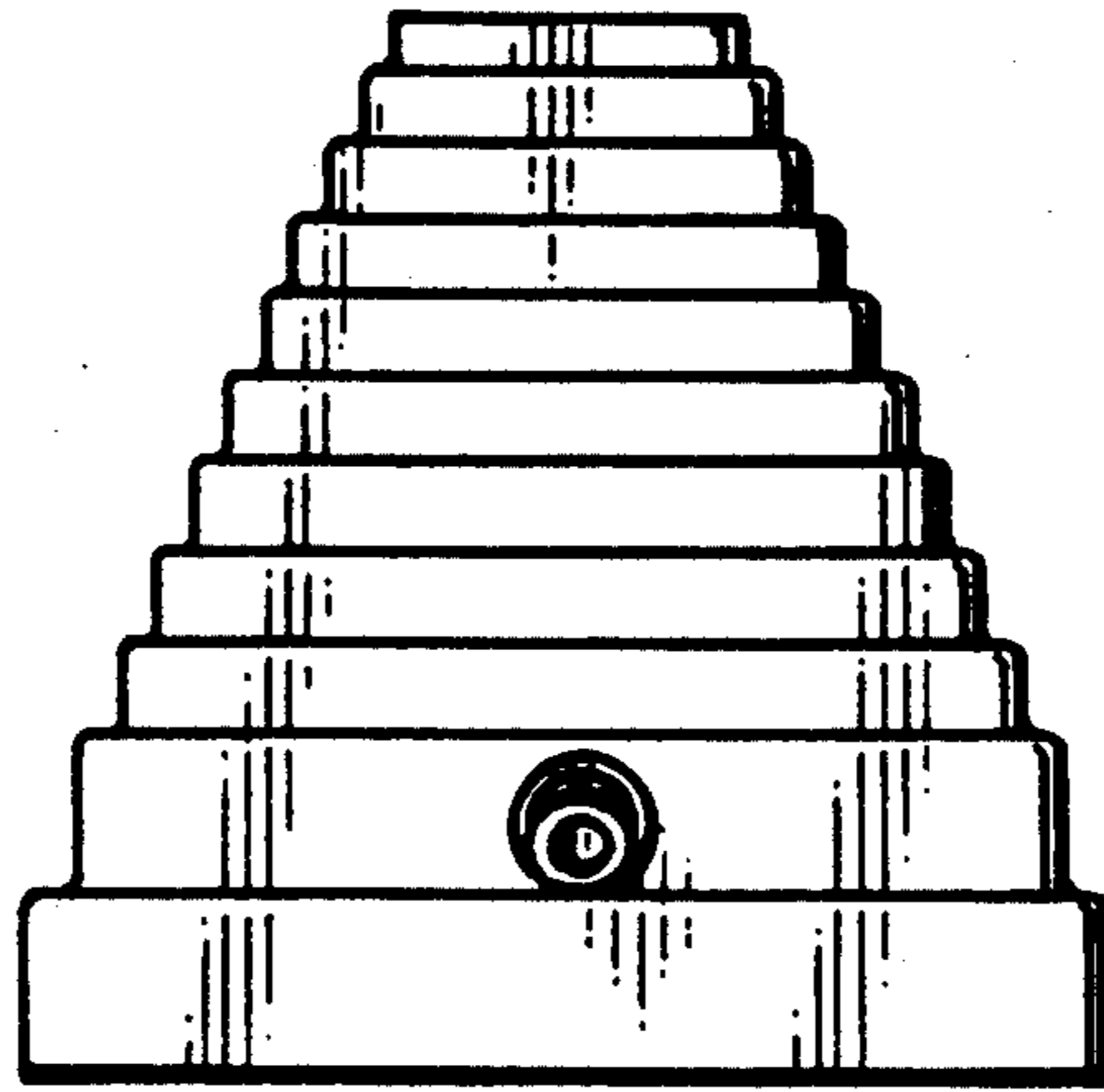


**FIG. 3**



**FIG. 4**

**FIG. 5**



**FIG. 6**