



US00D329165S

United States Patent [19]

[11] Patent Number: **Des. 329,165**

Doggett

[45] Date of Patent: **** Sep. 8, 1992**

[54] **HOUSING FOR A HAND-HELD MIXER**

[75] Inventor: **Lawrence A. Doggett, Stevensville, Mich.**

[73] Assignee: **Whirlpool Corporation, Benton Harbor, Mich.**

[*] Notice: The portion of the term of this patent subsequent to Sep. 8, 2006 has been disclaimed.

[**] Term: **14 Years**

[21] Appl. No.: **449,610**

[22] Filed: **Dec. 12, 1989**

[52] U.S. Cl. **D7/376; D7/378**

[58] Field of Search **D7/376-380, D7/413; 241/37.5, 92, 169.1, 282.1, 282.2**

[56] **References Cited**

U.S. PATENT DOCUMENTS

- D. 158,883 6/1950 Morgan D7/379
- D. 182,424 4/1958 Madl D7/379
- D. 183,385 8/1958 Ernerst D7/379
- D. 188,284 6/1960 Jepson et al. D7/379
- D. 189,680 1/1961 Chapman et al. D7/379
- D. 201,629 7/1965 Madl D7/379
- D. 201,896 8/1965 Frost D7/379
- D. 202,506 10/1966 Fessemeyer D7/379
- D. 203,850 2/1967 Chieda D7/379
- D. 207,859 6/1967 Weiss D7/379
- D. 209,461 12/1967 Clough D7/379
- D. 210,475 3/1968 Di Sesa, Jr. D7/379

- D. 211,485 6/1968 Le Sueur D7/379
- D. 212,817 11/1968 Steinkamp D7/379
- D. 221,398 8/1971 Rawson, Jr. D7/379
- D. 222,756 12/1971 Dykes D7/379
- D. 224,132 7/1972 Yamamoto D7/379
- D. 225,765 1/1973 Hall D7/379
- D. 234,333 2/1975 Mantelet D7/379
- D. 279,856 7/1985 Elkerbout D7/376 X
- D. 291,647 9/1987 Steinkamp D7/379
- D. 292,166 10/1987 McCloskey D7/379
- D. 309,079 7/1990 Petrie et al. D7/379
- D. 309,081 7/1990 Thomas D7/379
- D. 310,005 8/1990 Precht D7/379
- D. 315,080 3/1991 Naft D7/379
- 3,333,825 12/1962 Wolter 366/344

Primary Examiner—Donald P. Walsh

Assistant Examiner—Caron D. Veynar

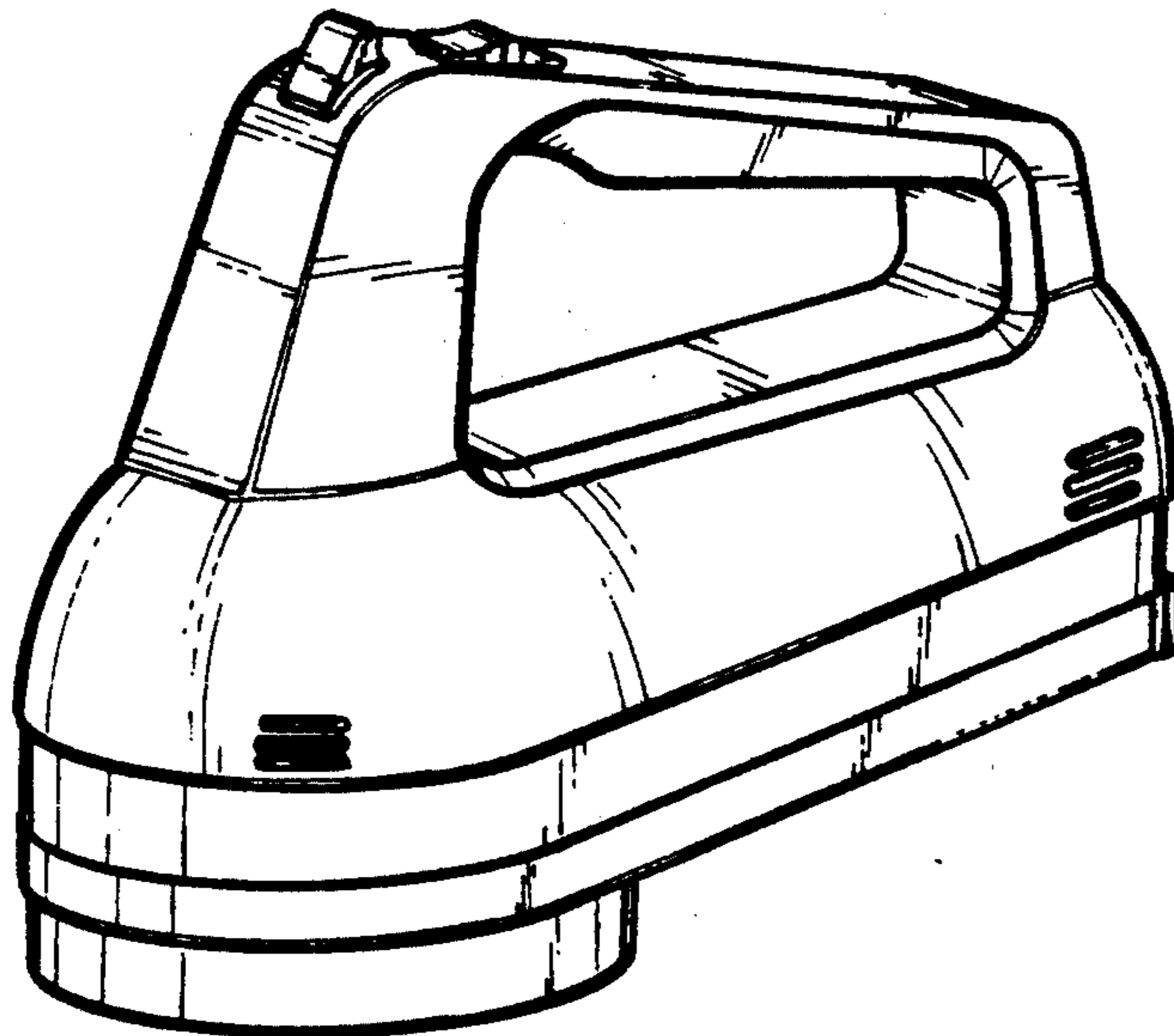
Attorney, Agent, or Firm—Thomas J. Roth; Stephen D. Krefman; Thomas E. Turcotte

[57] **CLAIM**

The ornamental design for a housing for a hand-held mixer, as shown and described.

DESCRIPTION

FIG. 1 is a top front perspective view of the housing for a hand-held mixer showing my new design; FIG. 2 is a front elevational view thereof; FIG. 3 is a right side elevational view thereof, the left side elevational view being a mirror image thereof; FIG. 4 is a top plan view thereof; FIG. 5 is a rear elevational view thereof; and, FIG. 6 is a bottom plan view, the beater receptacles deleted for ease of illustration.



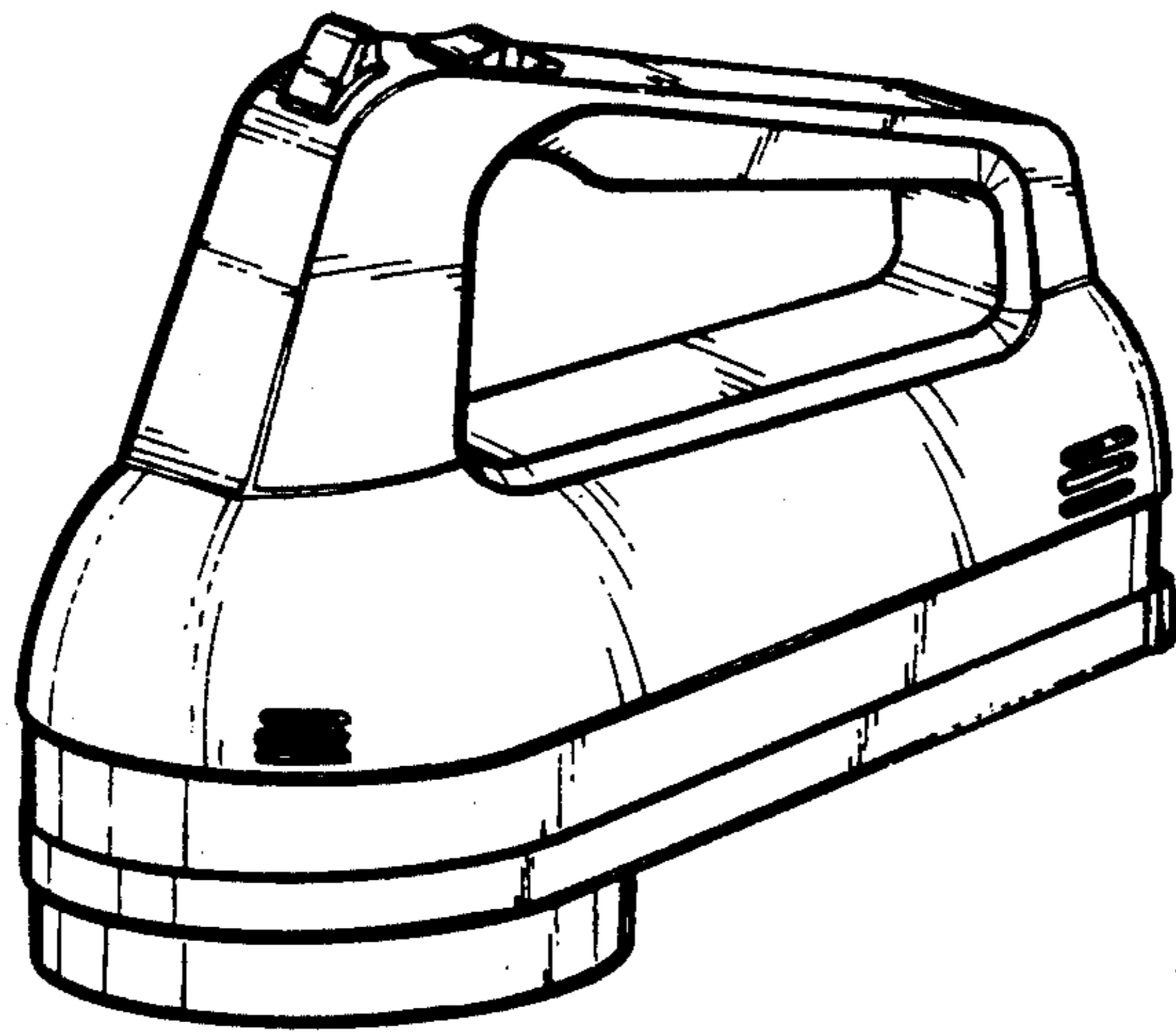


Fig-1

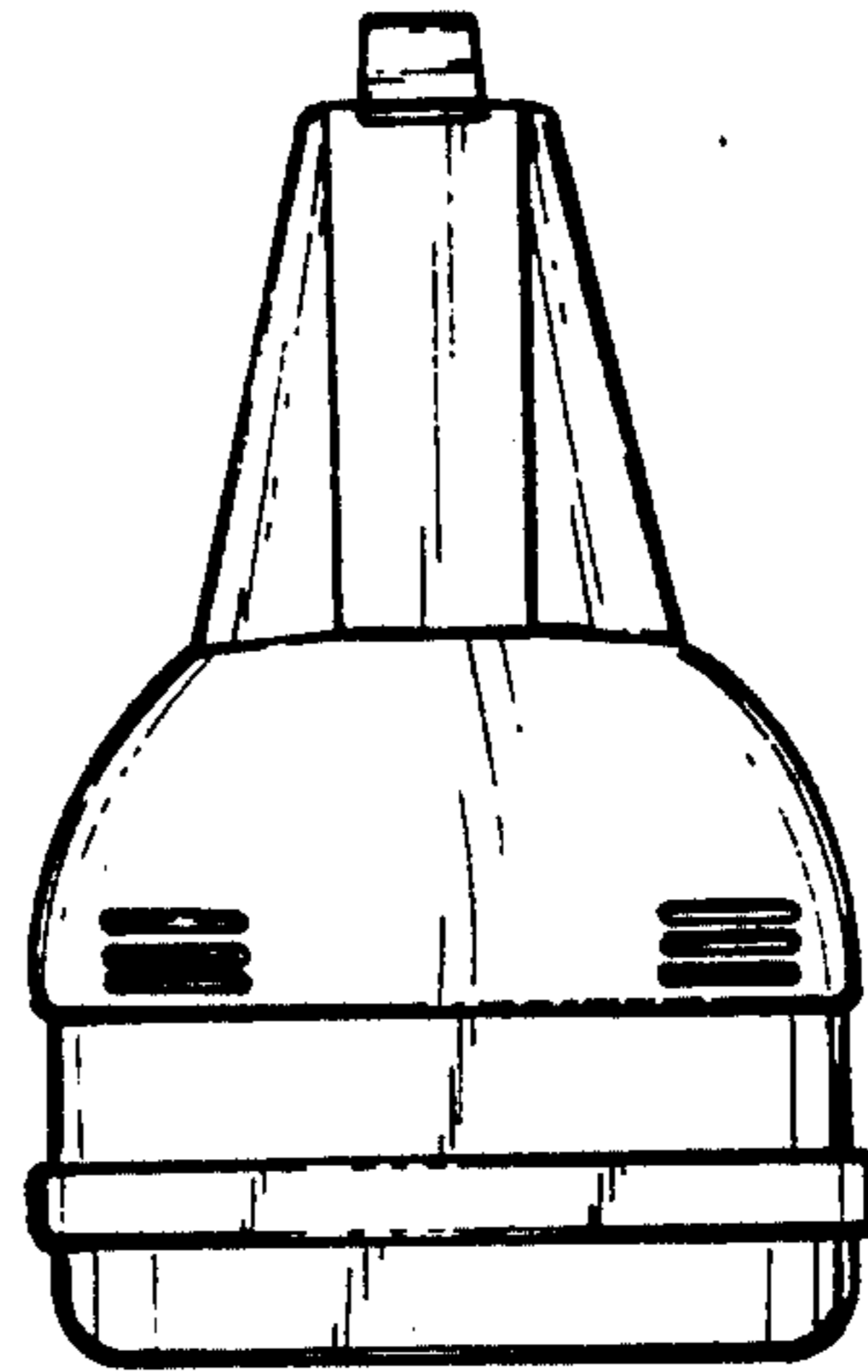
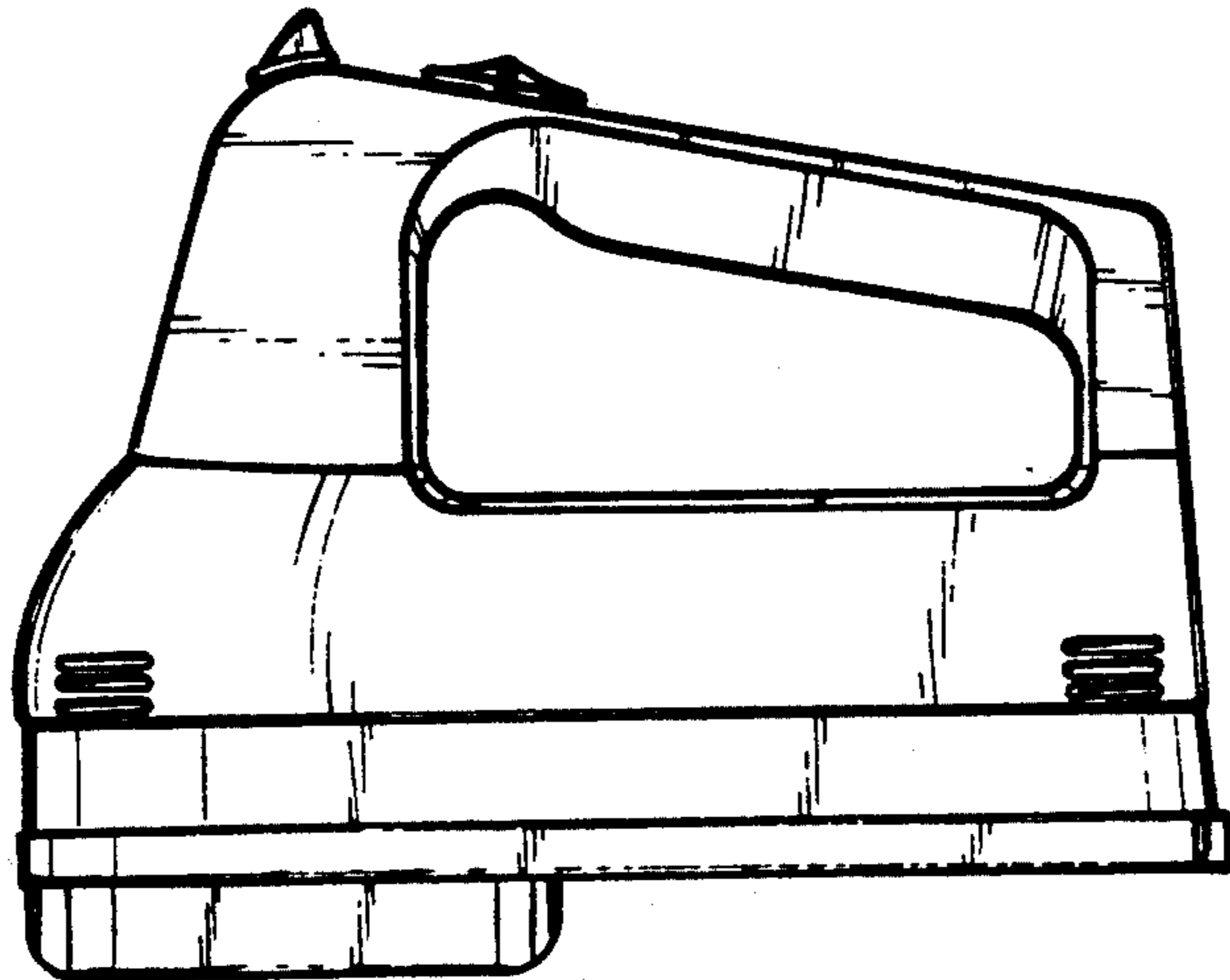


Fig-2

Fig-3



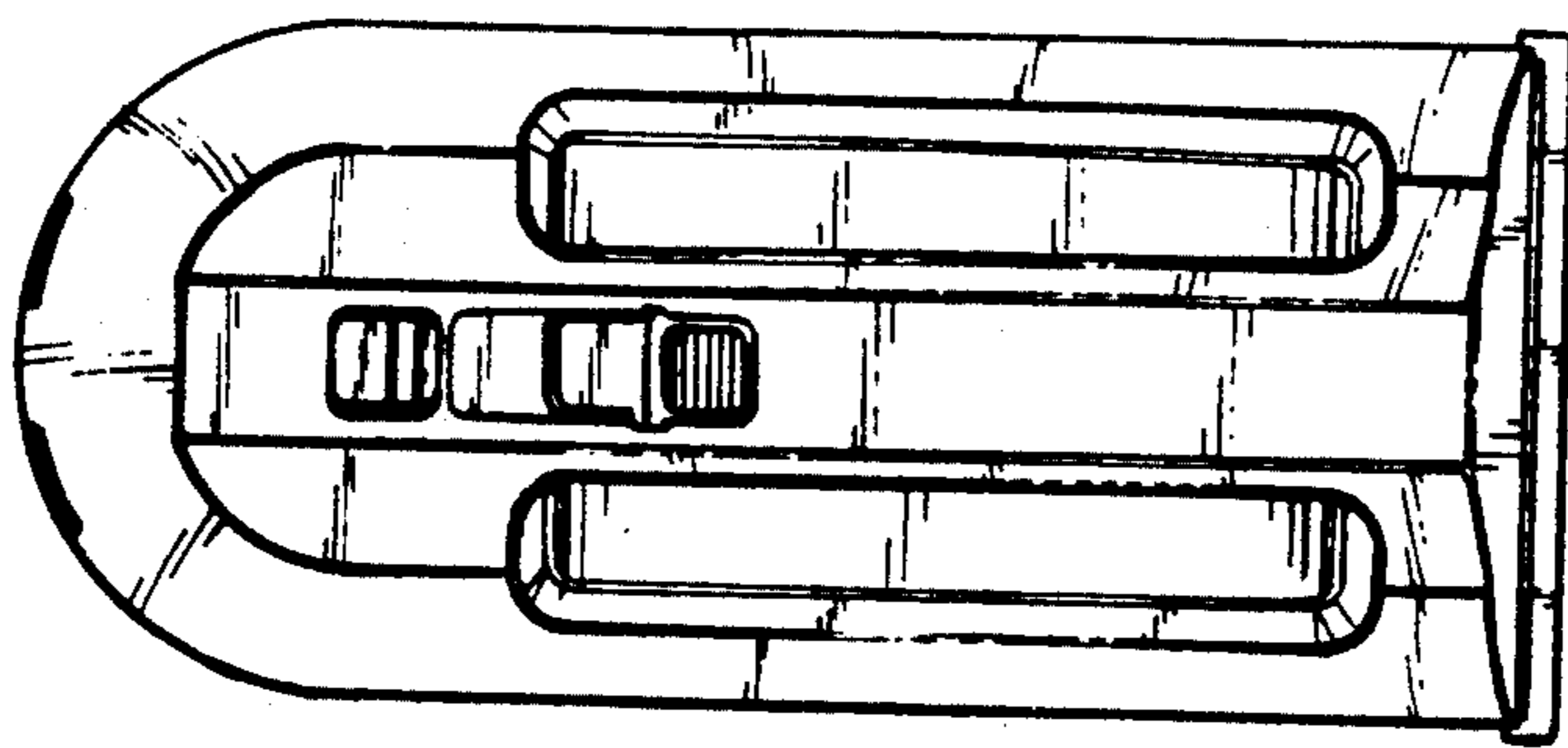


Fig-4

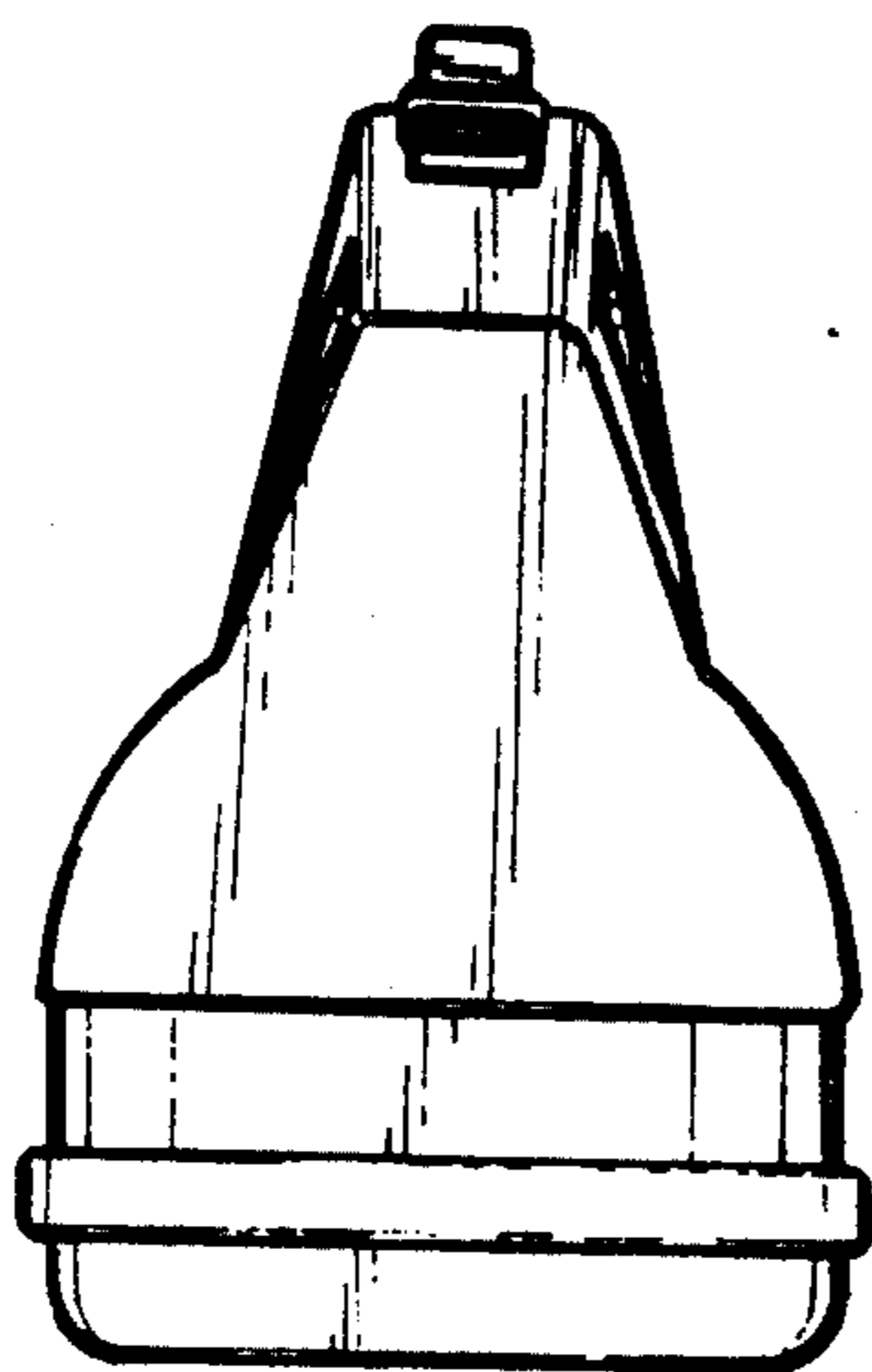


Fig-5

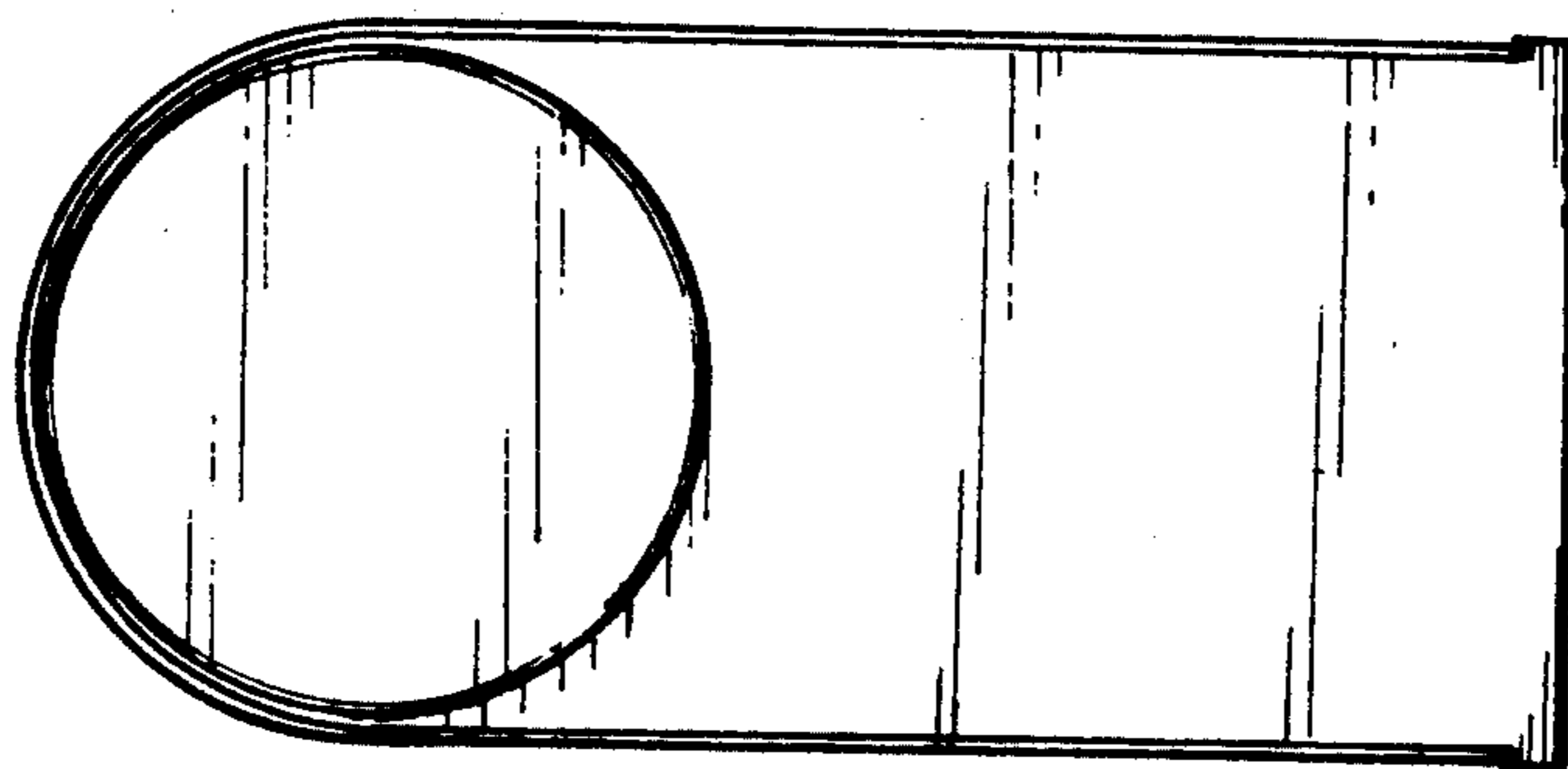


Fig-6