



US00D329164S

United States Patent [19]

[11] Patent Number: **Des. 329,164**

Edman

[45] Date of Patent: **** Sep. 8, 1992**

[54] **MICROWAVE OVEN**

[75] Inventor: **Robin Edman, Dublin, Ohio**

[73] Assignee: **White Consolidated Industries, Inc.,
Cleveland, Ohio**

[**] Term: **14 Years**

[21] Appl. No.: **716,618**

[22] Filed: **Jun. 17, 1991**

[52] U.S. Cl. **D7/351**

[58] Field of Search **D7/339, 347-351;
126/19 M, 20, 20.1, 21 A, 273 R, 273 A, 273.5,
274, 275 R, 275 E; 219/386, 391, 400-402, 405,
412, 10.55 R, 10.55 A, 10.55 B, 10.55 C, 10.55
D, 10.55 F**

| | | | |
|------------|---------|----------------------|--------|
| D. 301,109 | 5/1989 | Kawaishi | D7/351 |
| D. 304,800 | 11/1989 | Yoo | D7/351 |
| D. 305,492 | 1/1990 | Kawaishi et al. | D7/351 |
| D. 315,656 | 3/1991 | Kim | D7/351 |
| D. 318,397 | 7/1991 | Jung | D7/35 |
| D. 323,953 | 2/1992 | Kubo et al. | D7/351 |

Primary Examiner—A. Hugo Word
Assistant Examiner—Ruth McInroy
Attorney, Agent, or Firm—Pearne, Gordon, McCoy & Granger

[57] CLAIM

The ornamental design for a microwave oven, as shown and described.

DESCRIPTION

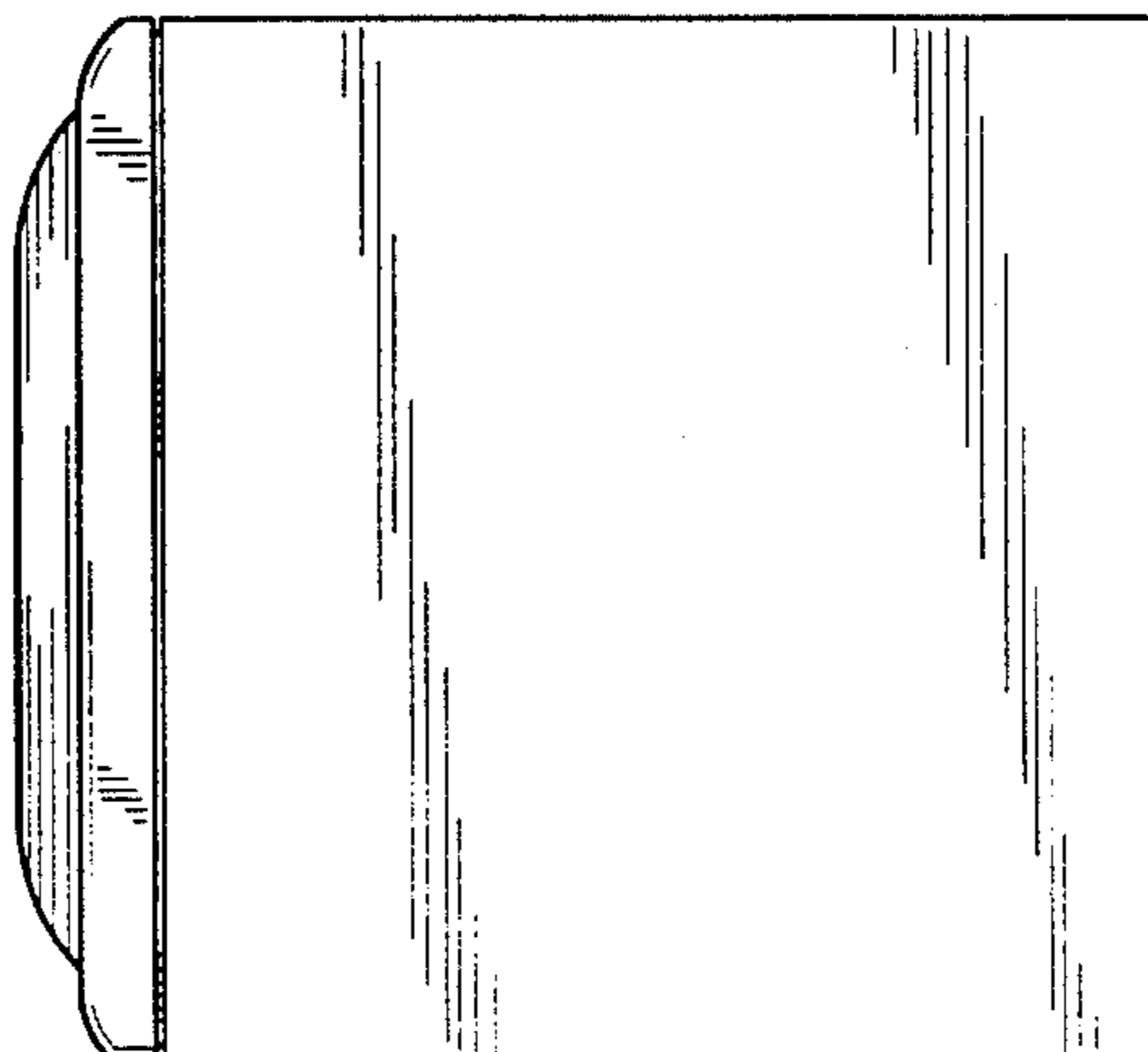
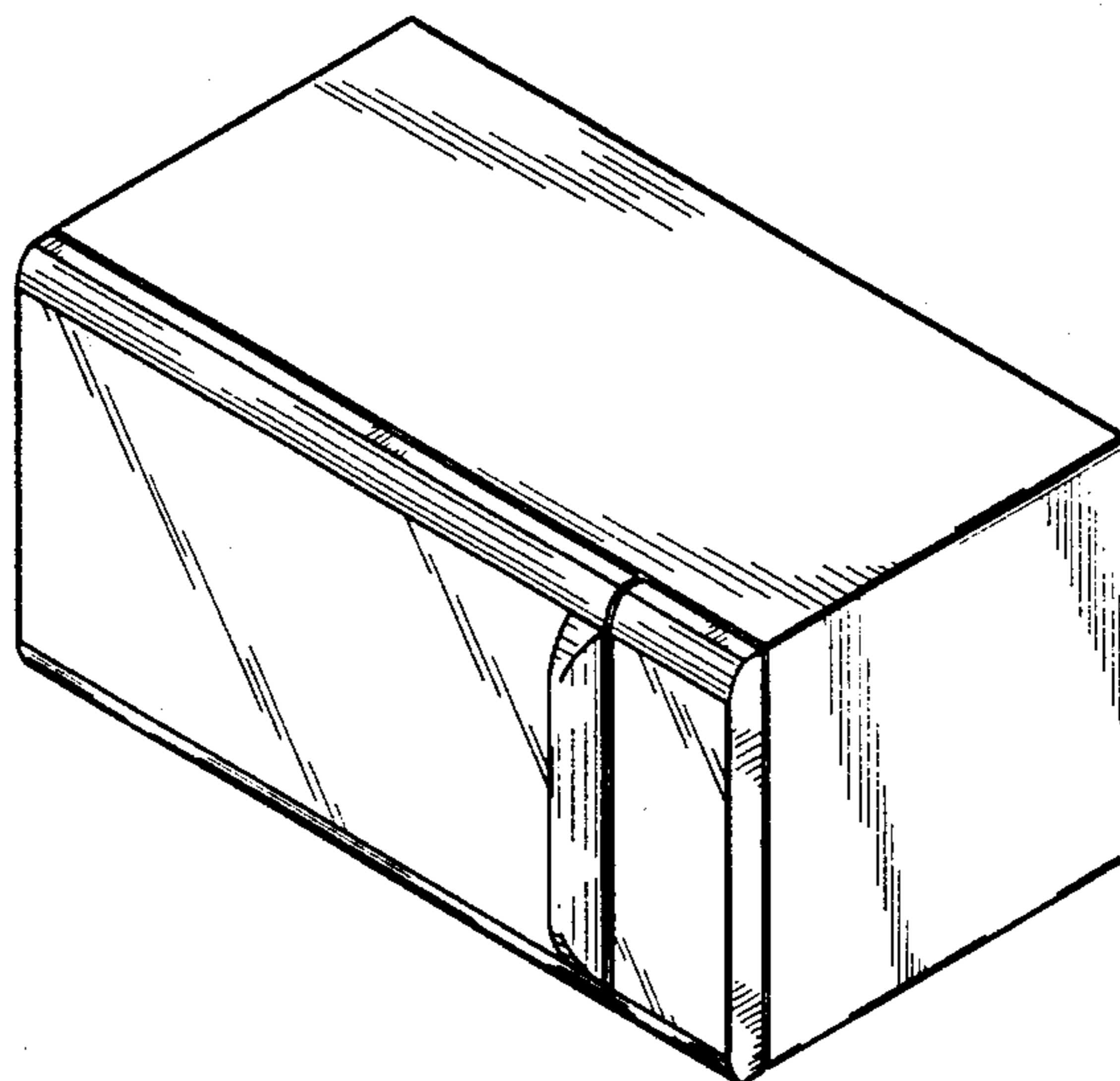
FIG. 1 is a front perspective view of a microwave oven showing my new design;
FIG. 2 is a front elevational view thereof;
FIG. 3 is a top plan view thereof;
FIG. 4 is a bottom plan view thereof;
FIG. 5 is a rear elevational view thereof;
FIG. 6 is a left side elevational view thereof; and,
FIG. 7 is a right side elevational view thereof.

[56]

References Cited

U.S. PATENT DOCUMENTS

| | | | |
|------------|--------|------------------|--------|
| D. 287,925 | 1/1987 | Kubo et al. | D7/351 |
| D. 294,108 | 2/1988 | Choi | D7/351 |
| D. 294,327 | 2/1988 | Yoo | D7/351 |
| D. 299,306 | 1/1989 | Yoshida | D7/351 |



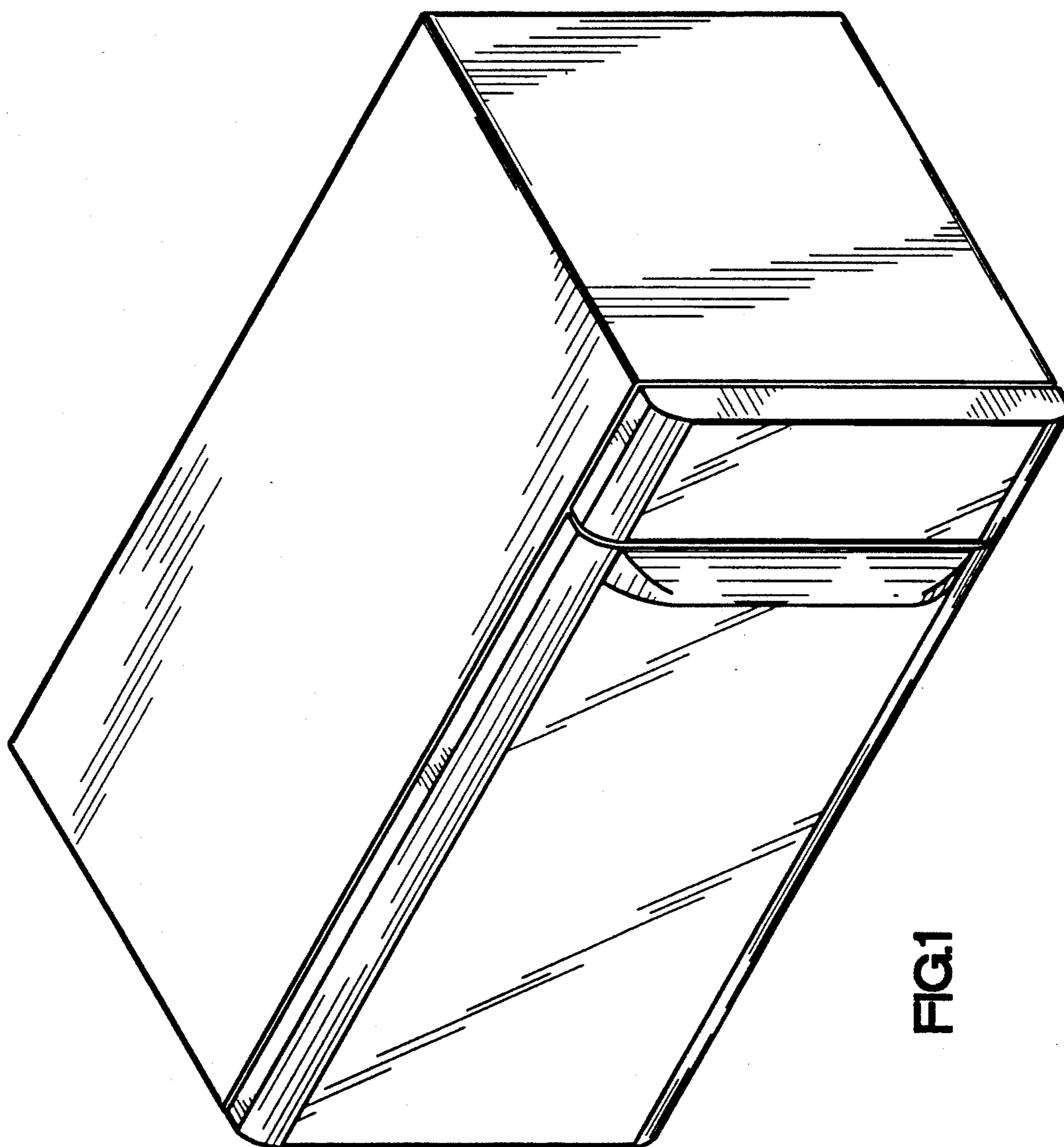


FIG. 1

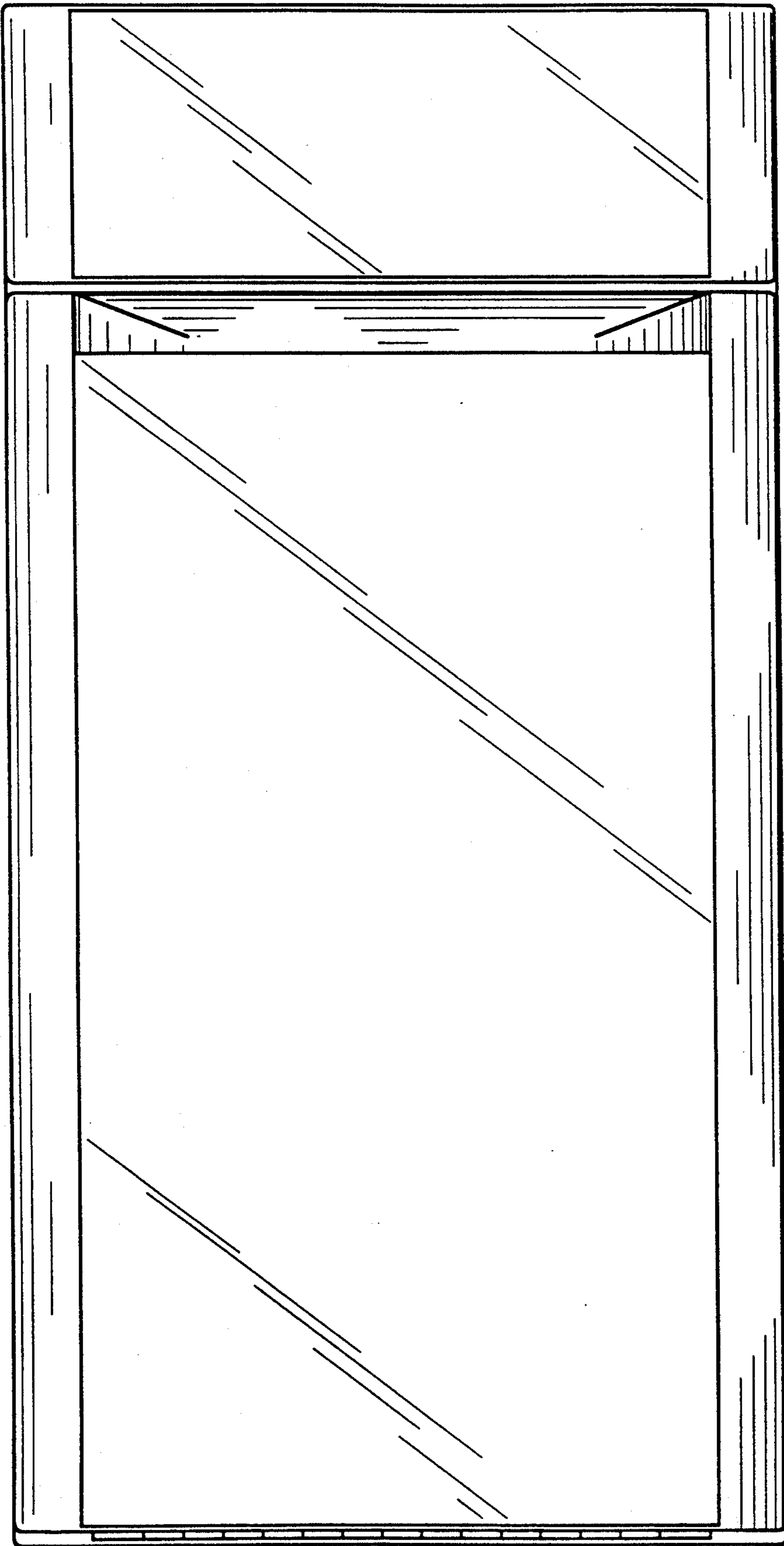


FIG.2

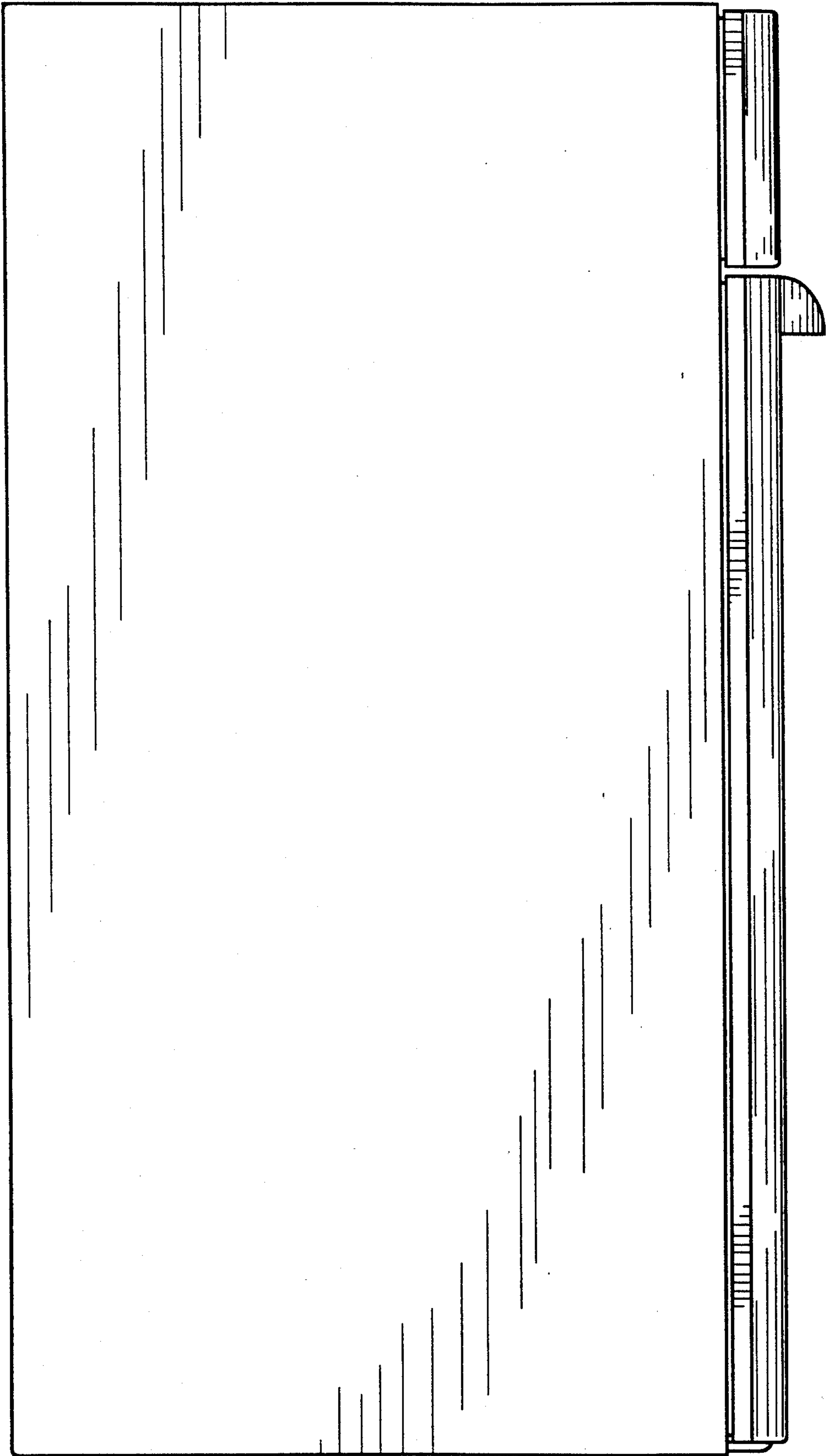


FIG. 3

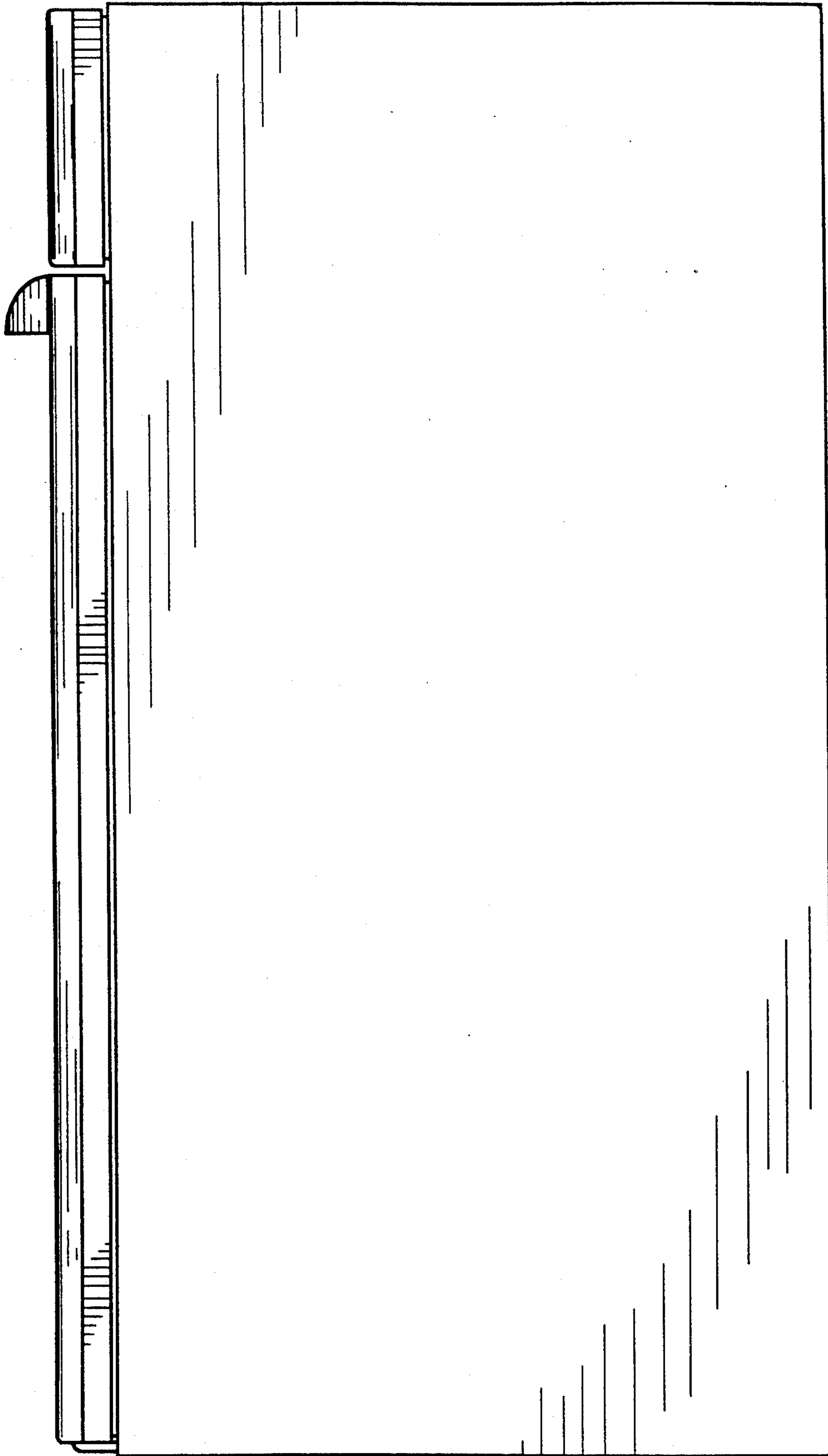


FIG.4

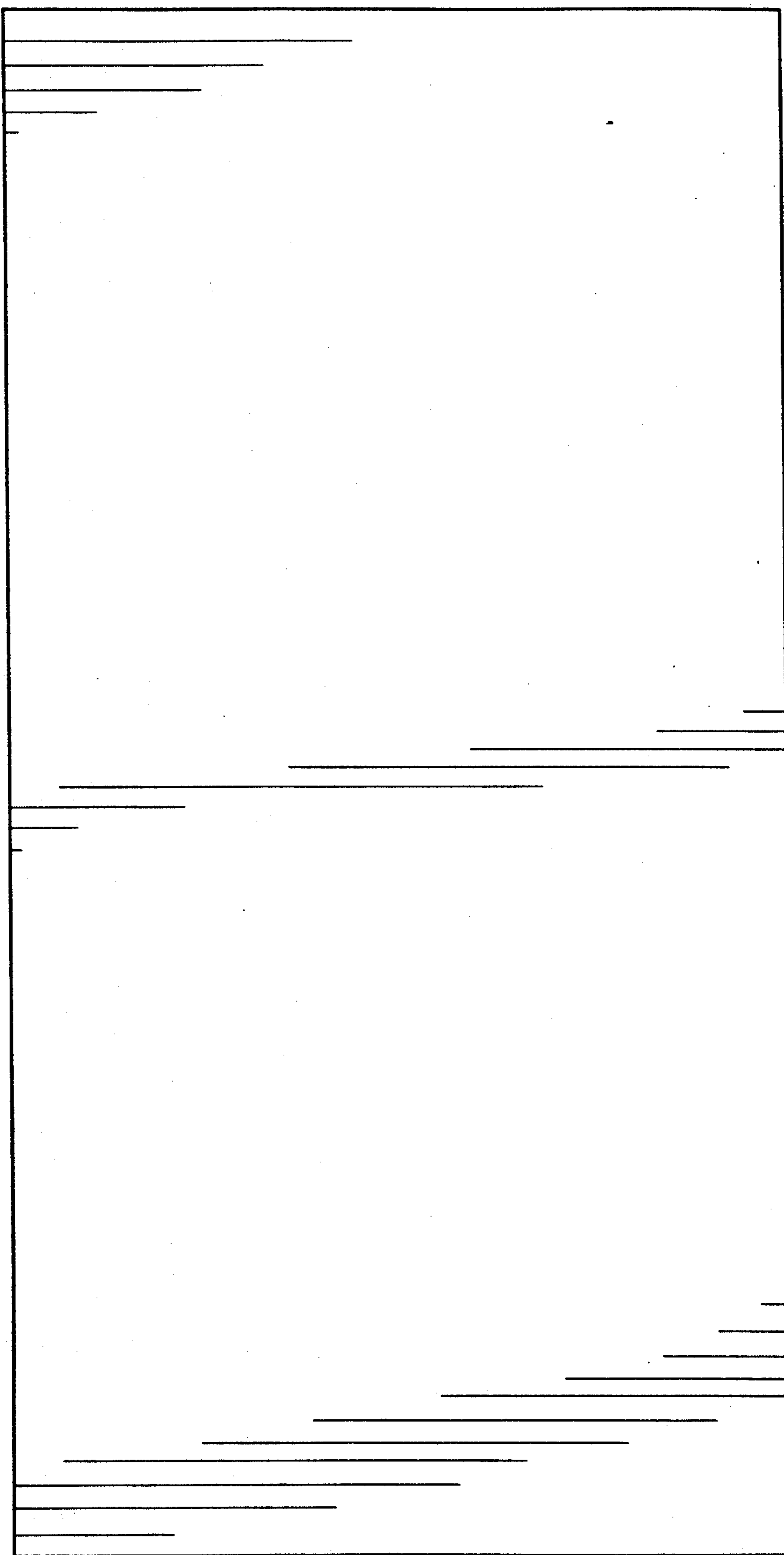


FIG.5

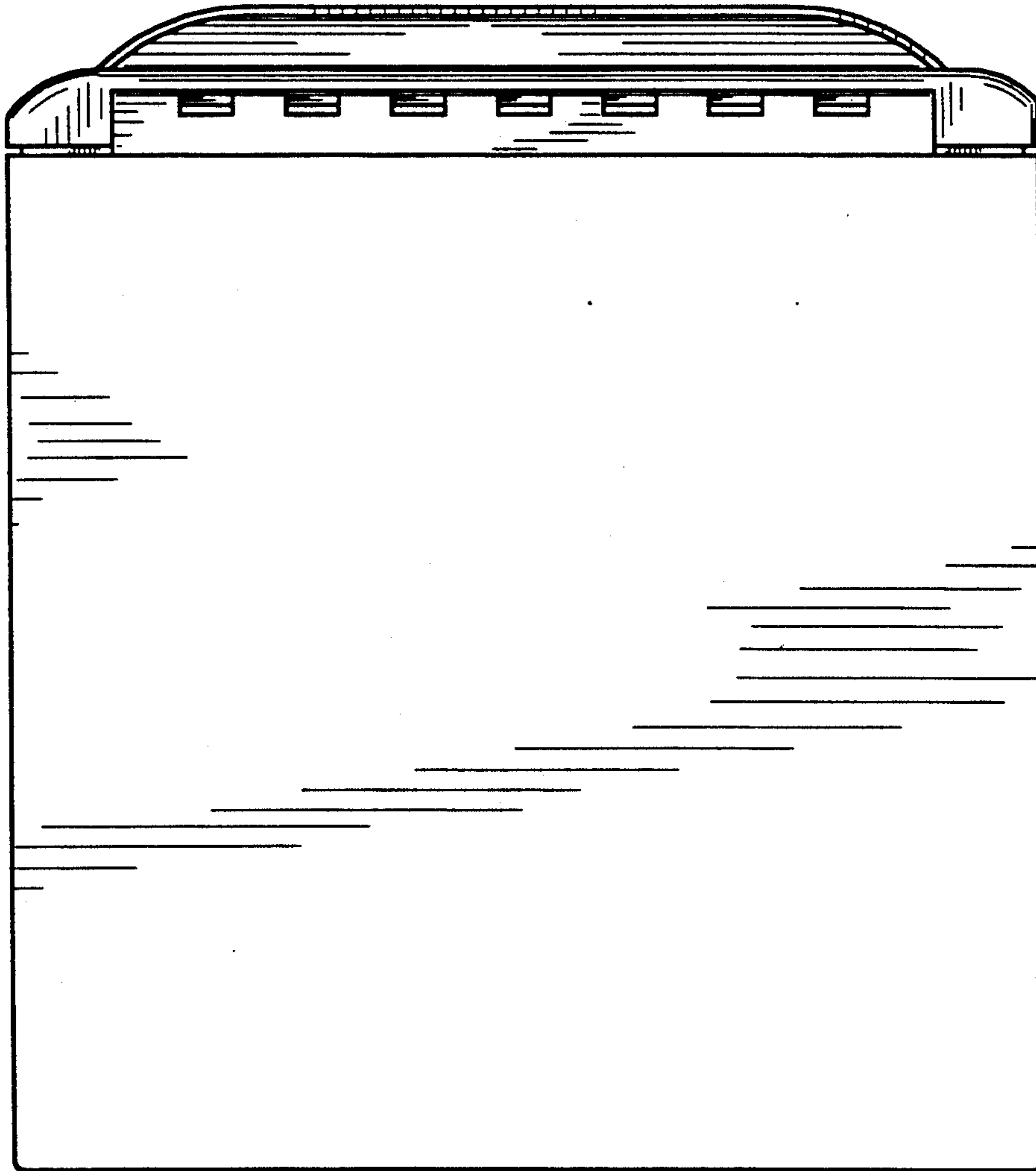


FIG.6

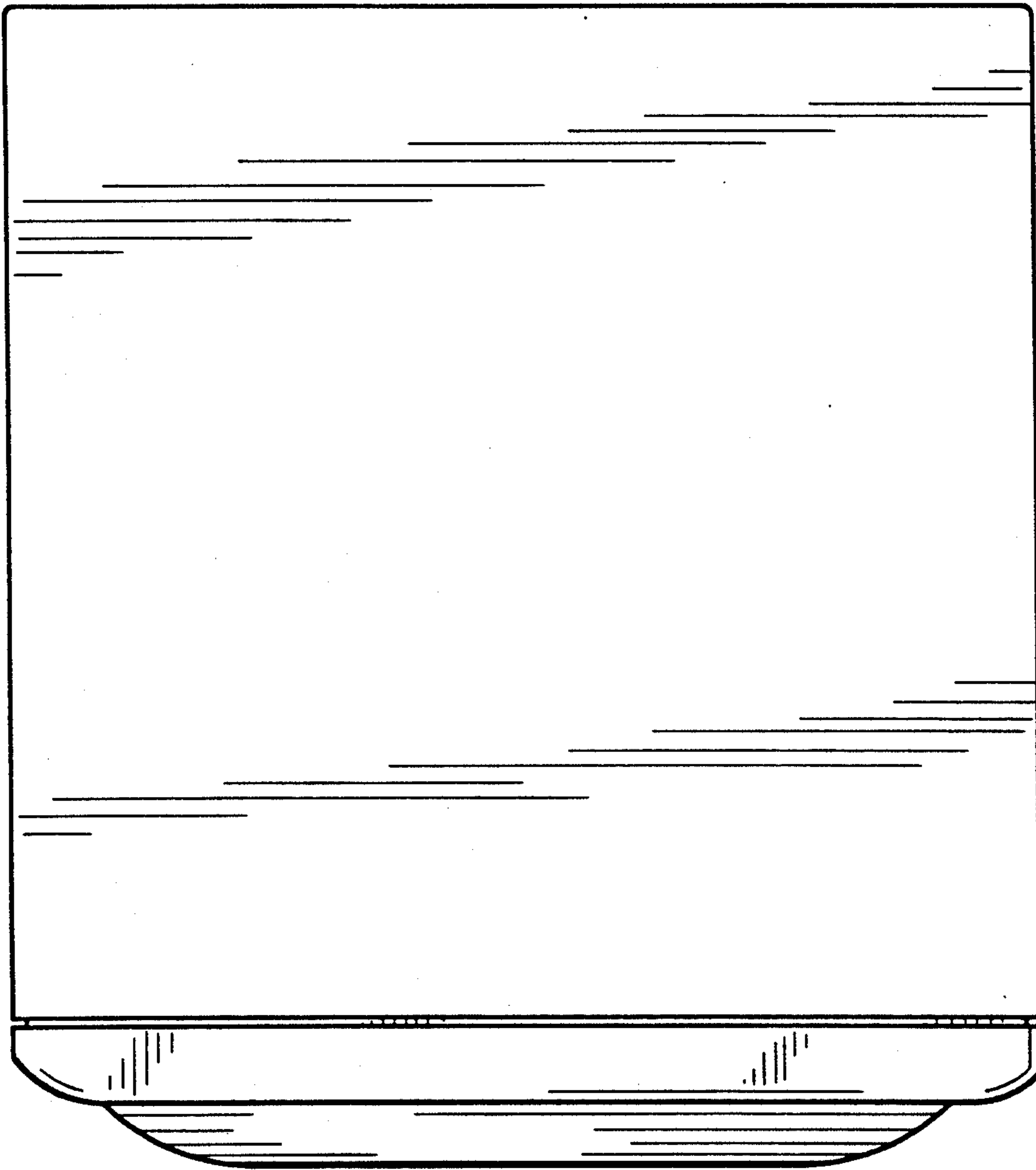


FIG. 7