



US00D329163S

United States Patent [19]

[11] Patent Number: **Des. 329,163**

Chang

[45] Date of Patent: **** Sep. 8, 1992**

[54] **CONVECTION OVEN**

[76] Inventor: **Kwei T. Chang**, No. 14, Lane 54,
Luong Chuan St., Panchiao, Taipei
Hsien, Taiwan

[**] Term: **14 Years**

[21] Appl. No.: **344,157**

[22] Filed: **Apr. 27, 1989**

[52] U.S. Cl. **D7/348**

[58] Field of Search **D7/348, 358, 323, 331,
D7/347, 350-351; 126/21 A, 275 R, 273, 19 M,
19 R, 29, 274, 275 E, 273 R; 219/400, 402,
412-414; 99/330, 403**

D. 312,751 12/1990 Moreno D7/358
4,817,509 4/1989 Erickson 219/400

Primary Examiner—A. Hugo Word
Assistant Examiner—Ruth McInroy
Attorney, Agent, or Firm—Lowe, Price, LeBlanc &
Becker

[57] **CLAIM**

The ornamental design for a convection oven, as shown.

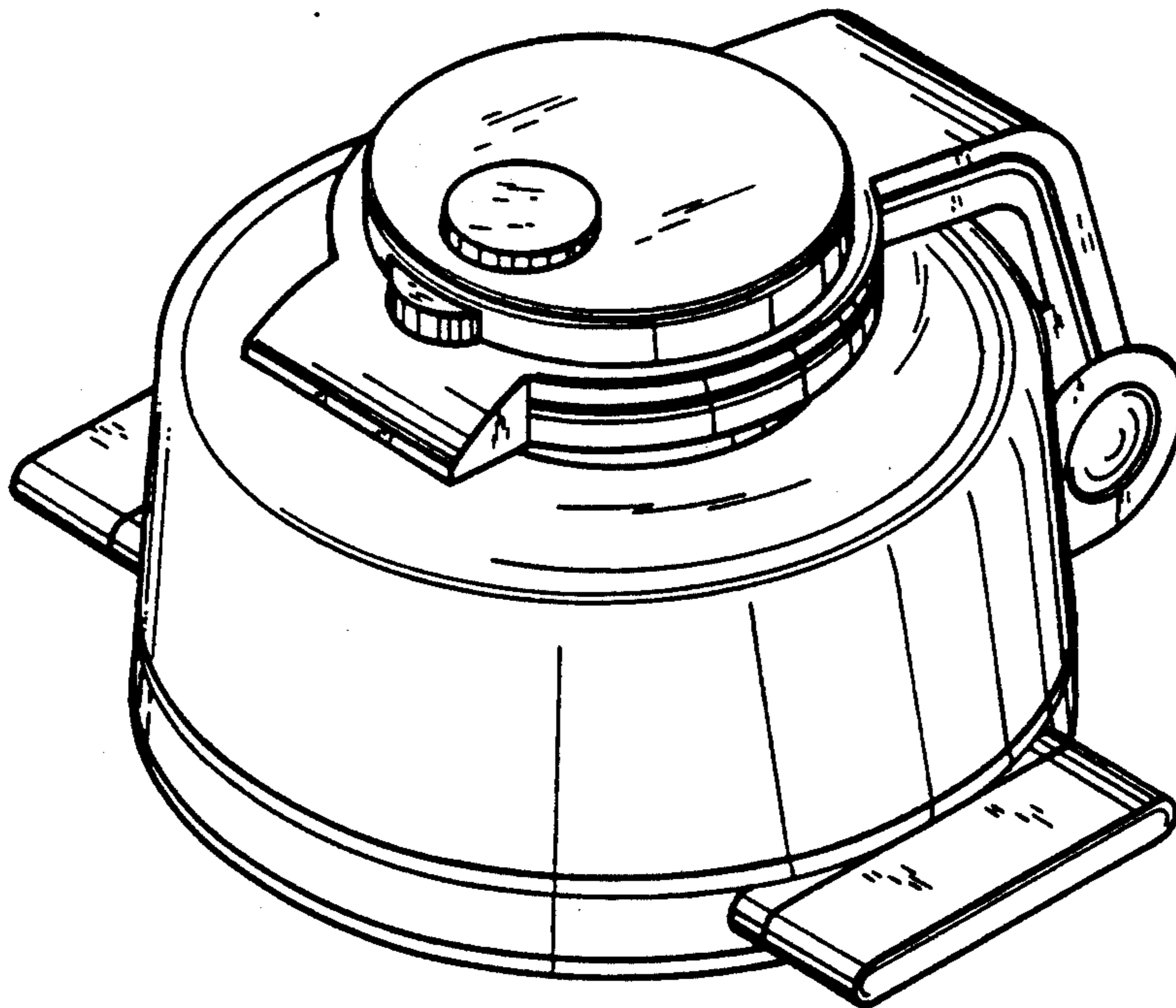
DESCRIPTION

FIG. 1 is a perspective view of a convection oven showing my design;
FIG. 2 is a front elevational view thereof;
FIG. 3 is a rear elevational view thereof;
FIG. 4 is a top plan view thereof;
FIG. 5 is a bottom plan view thereof;
FIG. 6 is a left side elevational view thereof; and,
FIG. 7 is a right side elevational view thereof.

[56] **References Cited**

U.S. PATENT DOCUMENTS

D. 248,363 7/1978 Rinaldi D7/354
D. 256,761 9/1980 Martin et al. D7/354
D. 268,472 4/1983 Nishikawa D7/348



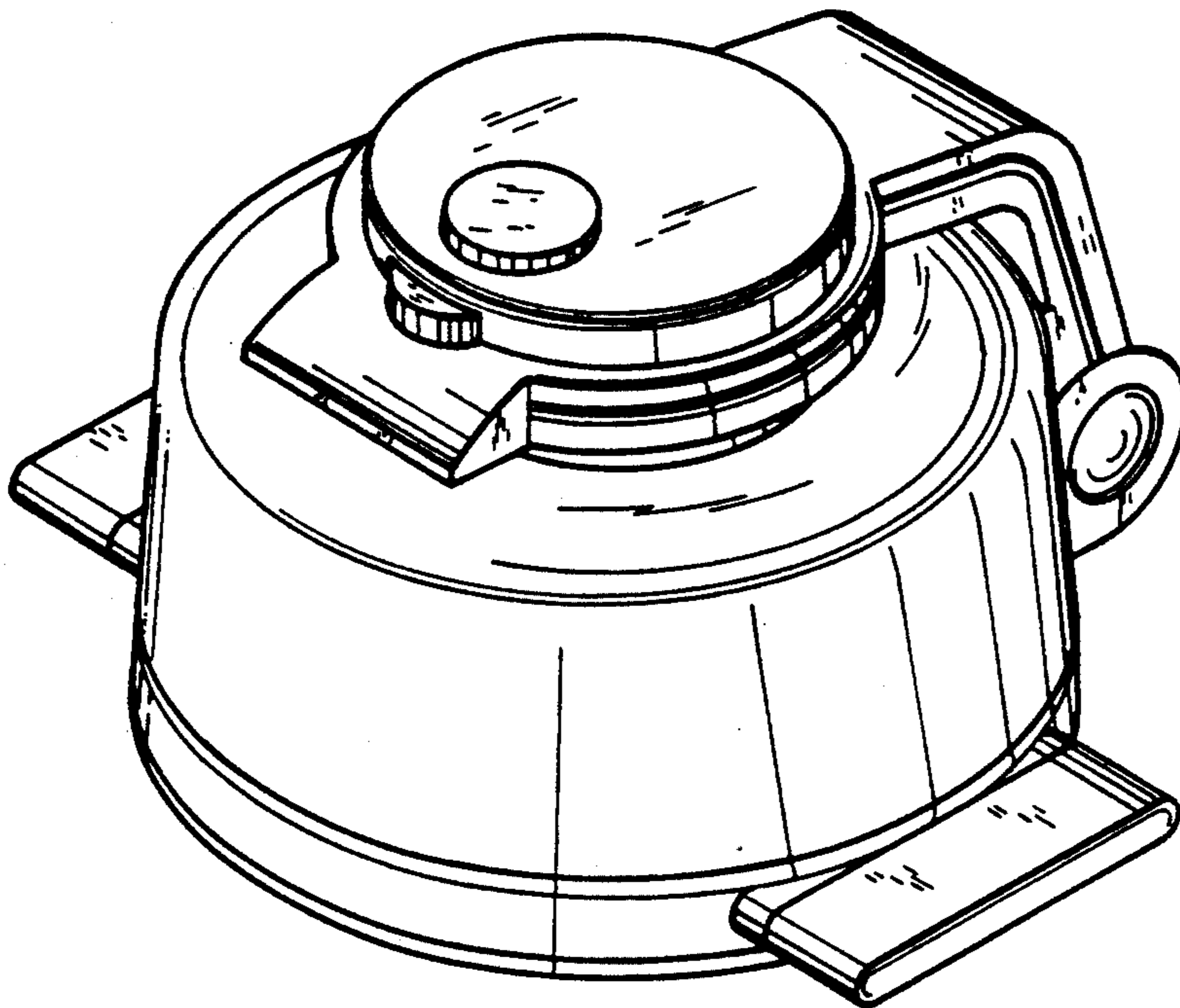


FIG . 1

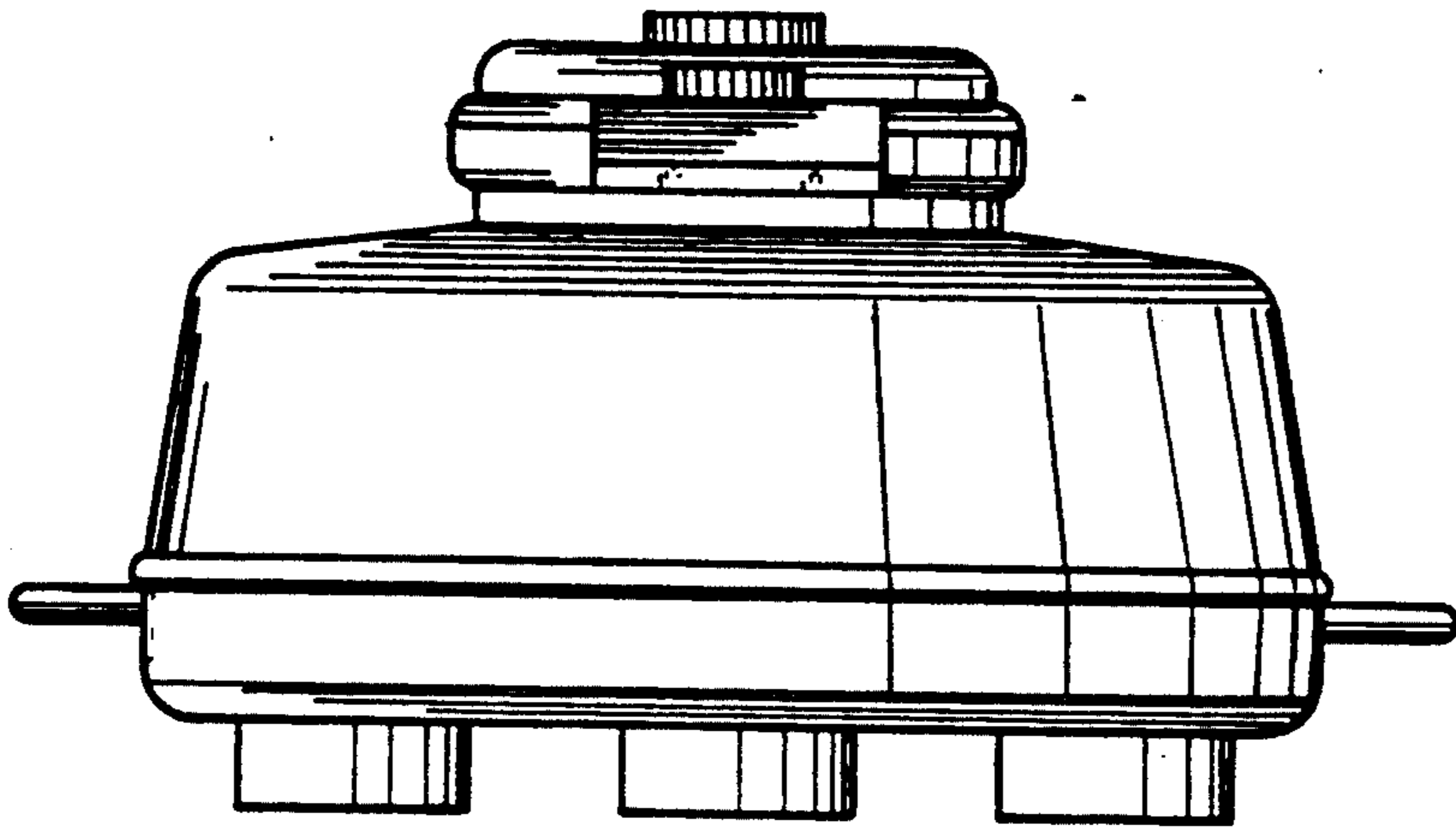


FIG . 2

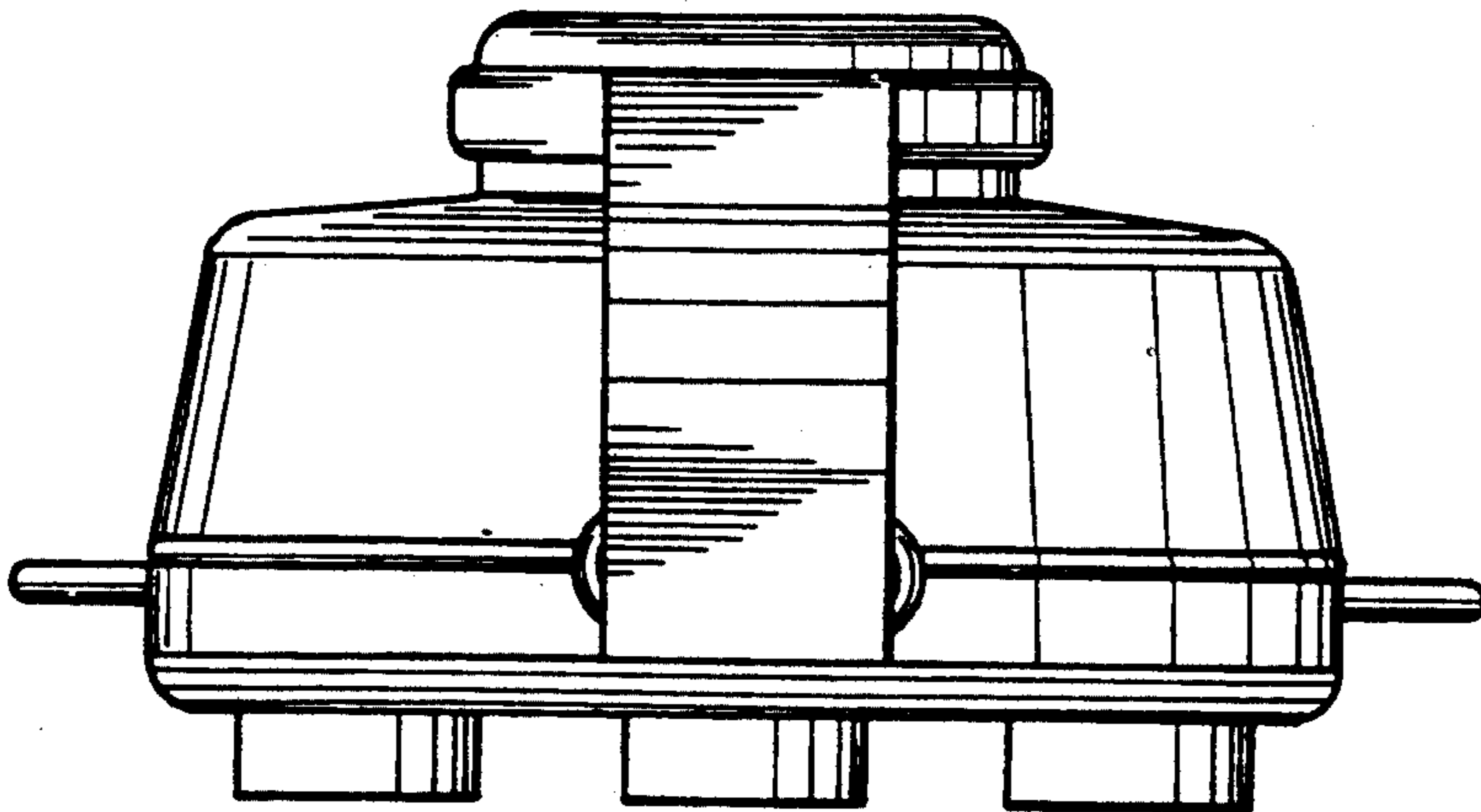


FIG . 3

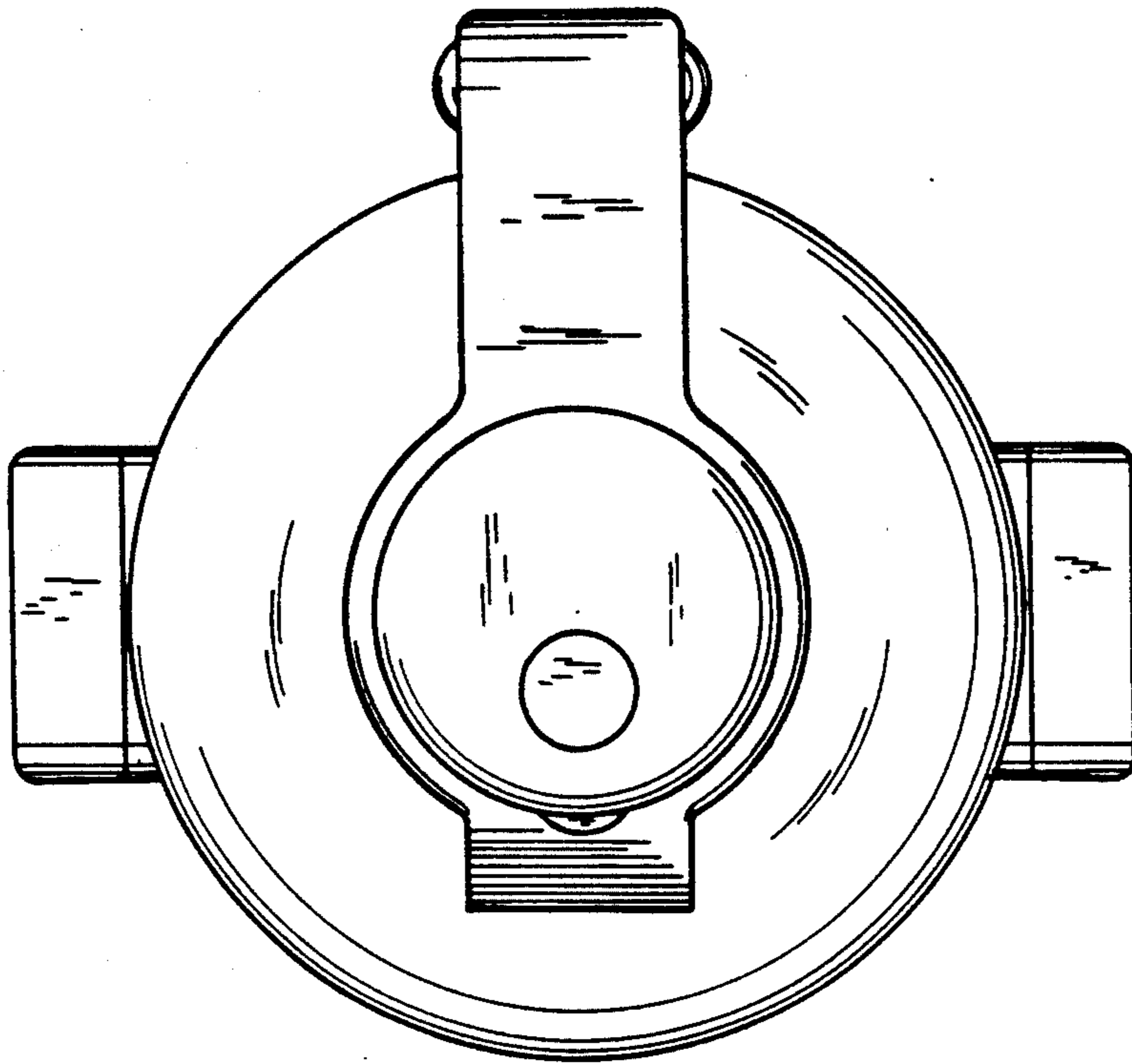


FIG . 4

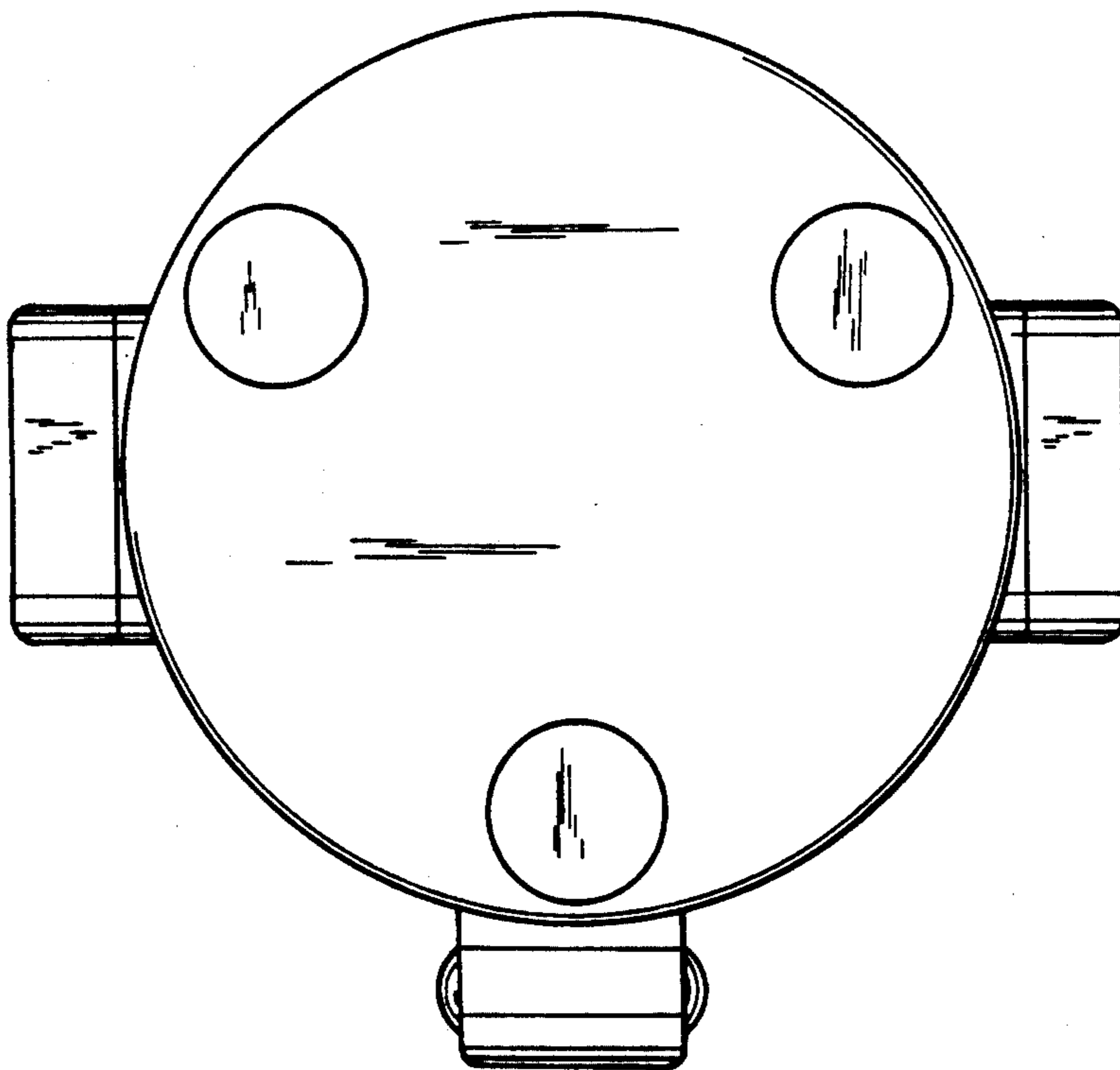


FIG . 5

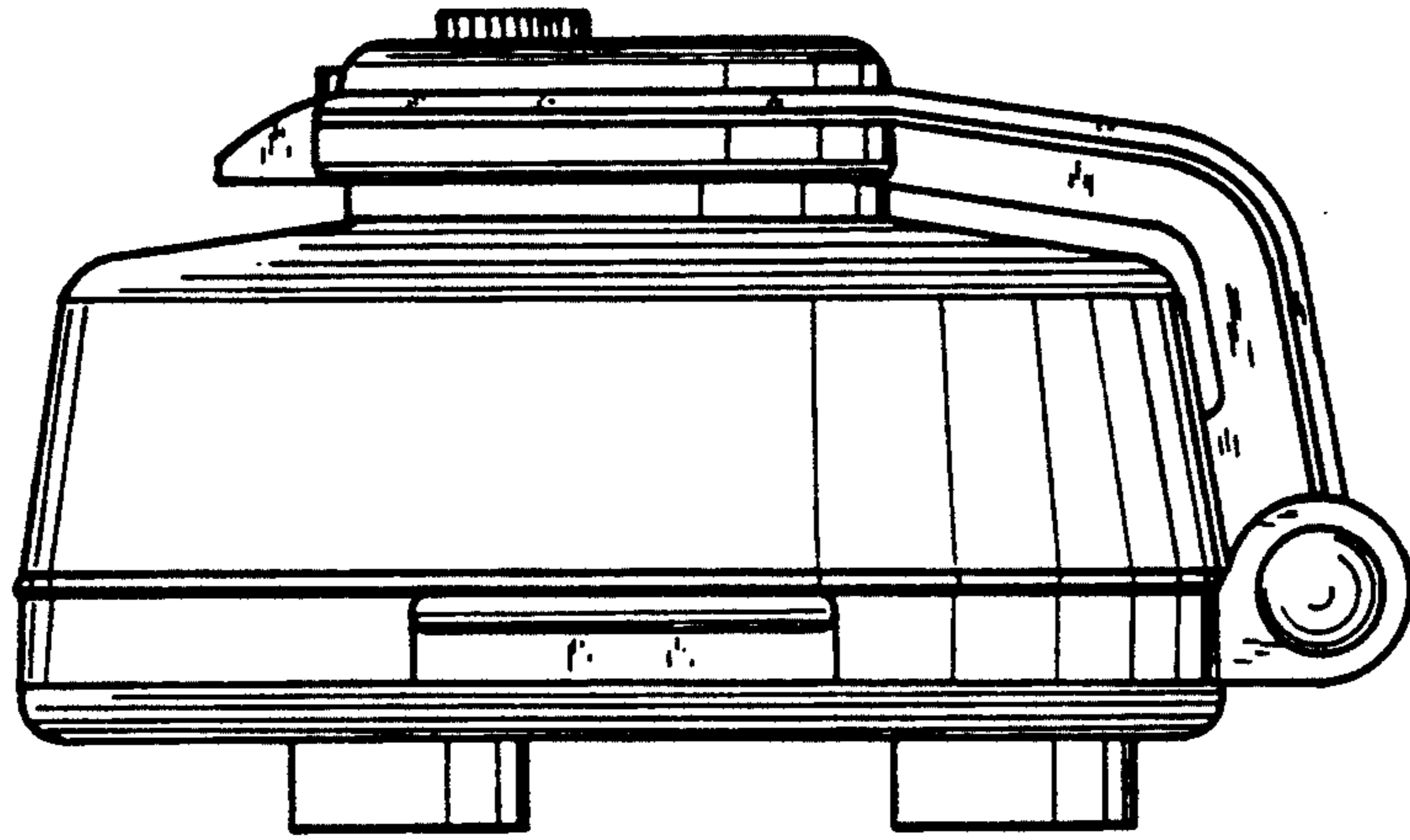


FIG . 7

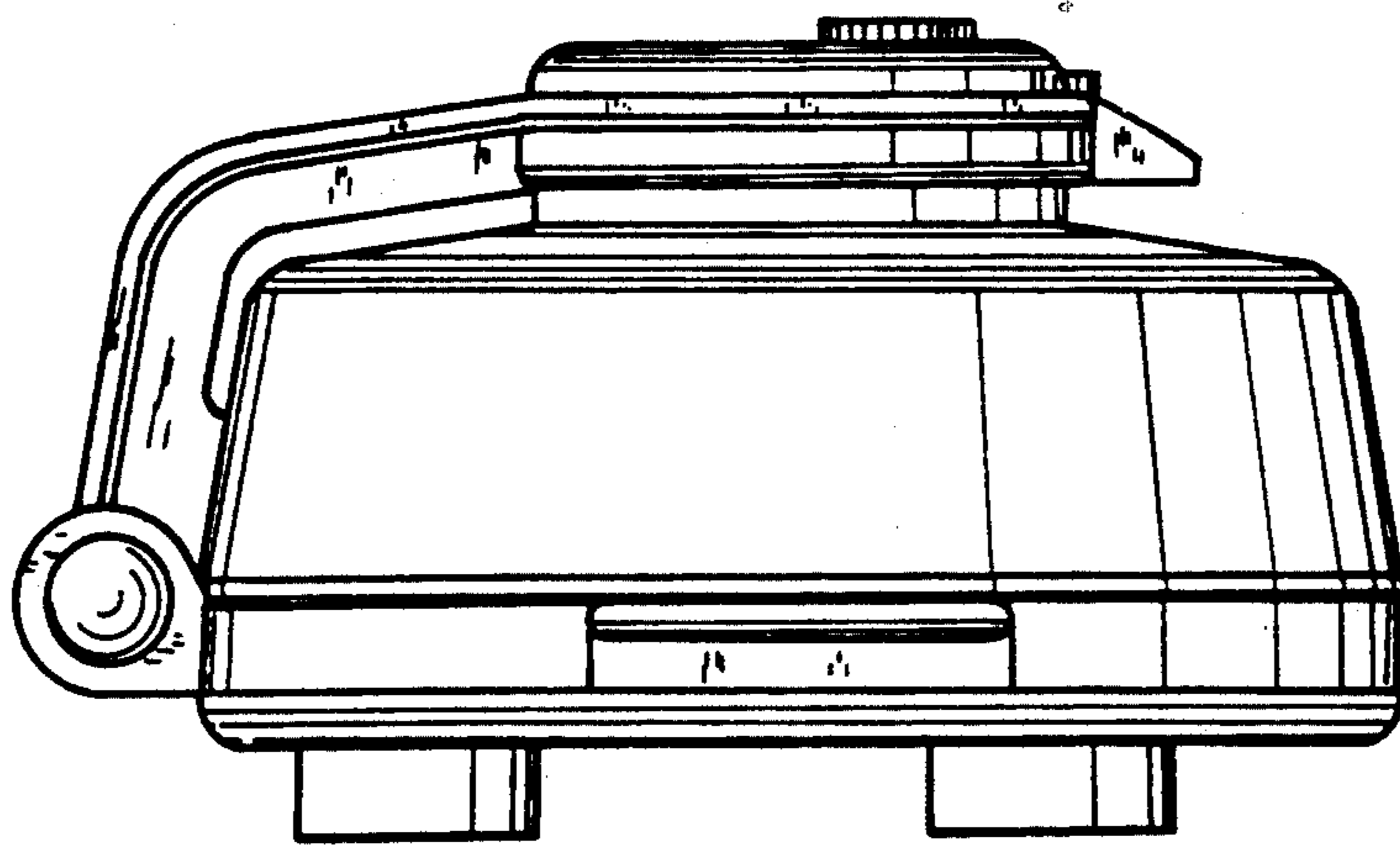


FIG . 6