



US00D329160S

United States Patent [19] Choi

[11] Patent Number: **Des. 329,160**

[45] Date of Patent: **** Sep. 8, 1992**

[54] COFFEE MAKER

[75] Inventor: **Lung W. Choi, Kowloon, Hong Kong**

[73] Assignee: **Goodway Electrical Company Limited, Kowloon, Hong Kong**

[**] Term: **14 Years**

[21] Appl. No.: **425,717**

[22] Filed: **Oct. 24, 1989**

[30] Foreign Application Priority Data

May 4, 1989 [GB] United Kingdom 1059211

[52] U.S. Cl. **D7/309**

[58] Field of Search D7/300, 312, 309, 311,
D7/305, 308

[56] References Cited

U.S. PATENT DOCUMENTS

D. 283,969 5/1986 Sastre D7/309
D. 290,216 6/1987 Precht D7/309

OTHER PUBLICATIONS

Schoner Wohnen, Dec. 1979, p. 198, coffee machine at center/far right.

Merchandising Week, p. 29, Jan. 13, 1975, GE's New Drip Coffeemaker—item A—center.

Industrial Design, May/June 1978, p. 23, JC Penney "Drip Coffeemaker"—center panel.

Hamilton Beach Supplement to HFD, Jul. 9, 1979, Section Two, Retailing Home Furnishings, coffeemaker at top right and bottom left.

Primary Examiner—Donald P. Walsh

Assistant Examiner—M. N. Pandozzi

Attorney, Agent, or Firm—Shlesinger, Arkwright & Garvey

[57] CLAIM

The ornamental design for the coffee maker, as shown and described.

DESCRIPTION

FIG. 1 is a front elevational view of a coffee maker showing my new design;

FIG. 2 is a bottom plan view thereof;

FIG. 3 is a rear elevational view thereof;

FIG. 4 is a top plan view thereof;

FIG. 5 is a left side elevational view thereof; and,

FIG. 6 is a right side elevational view thereof.

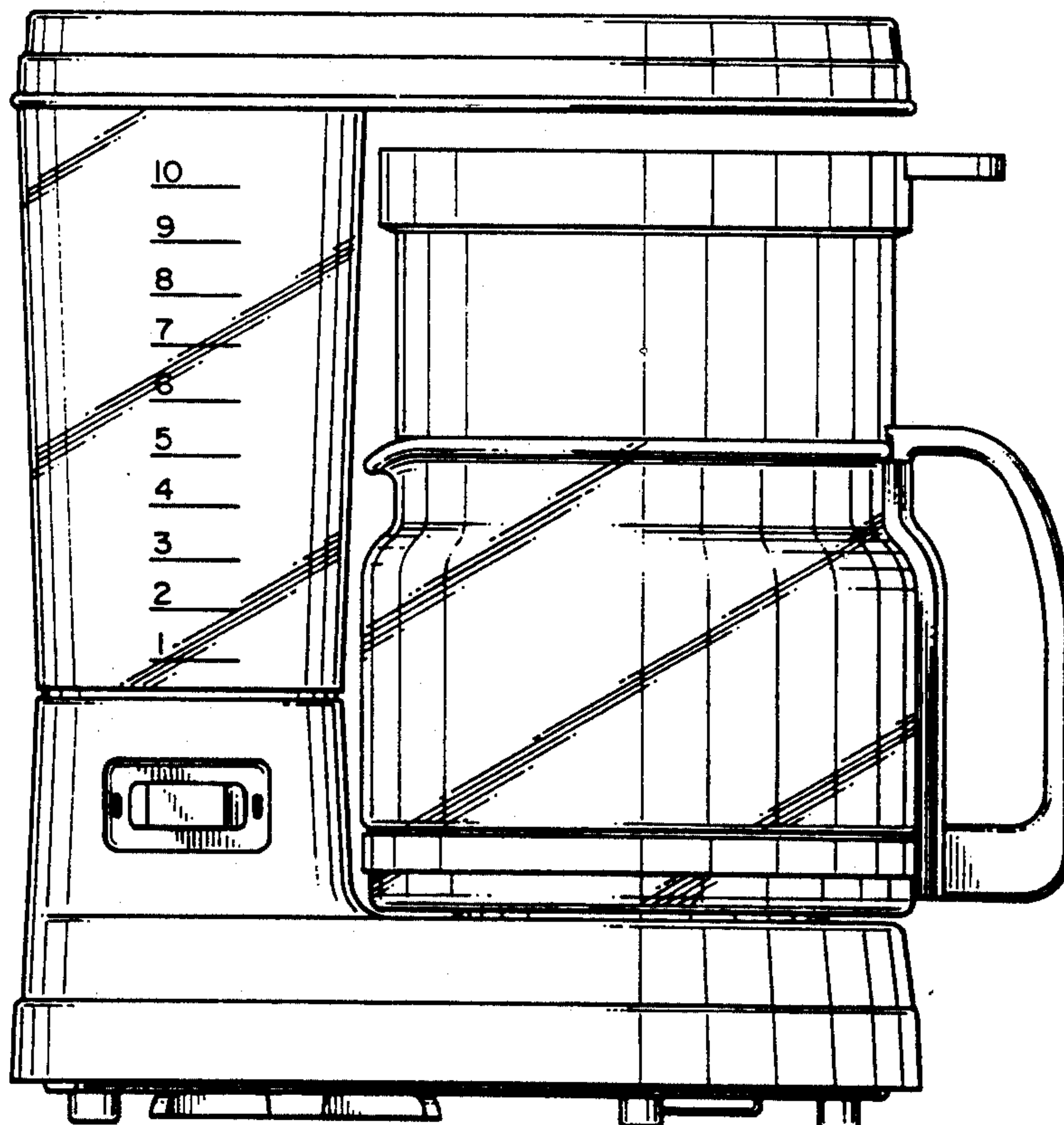


FIG. 1

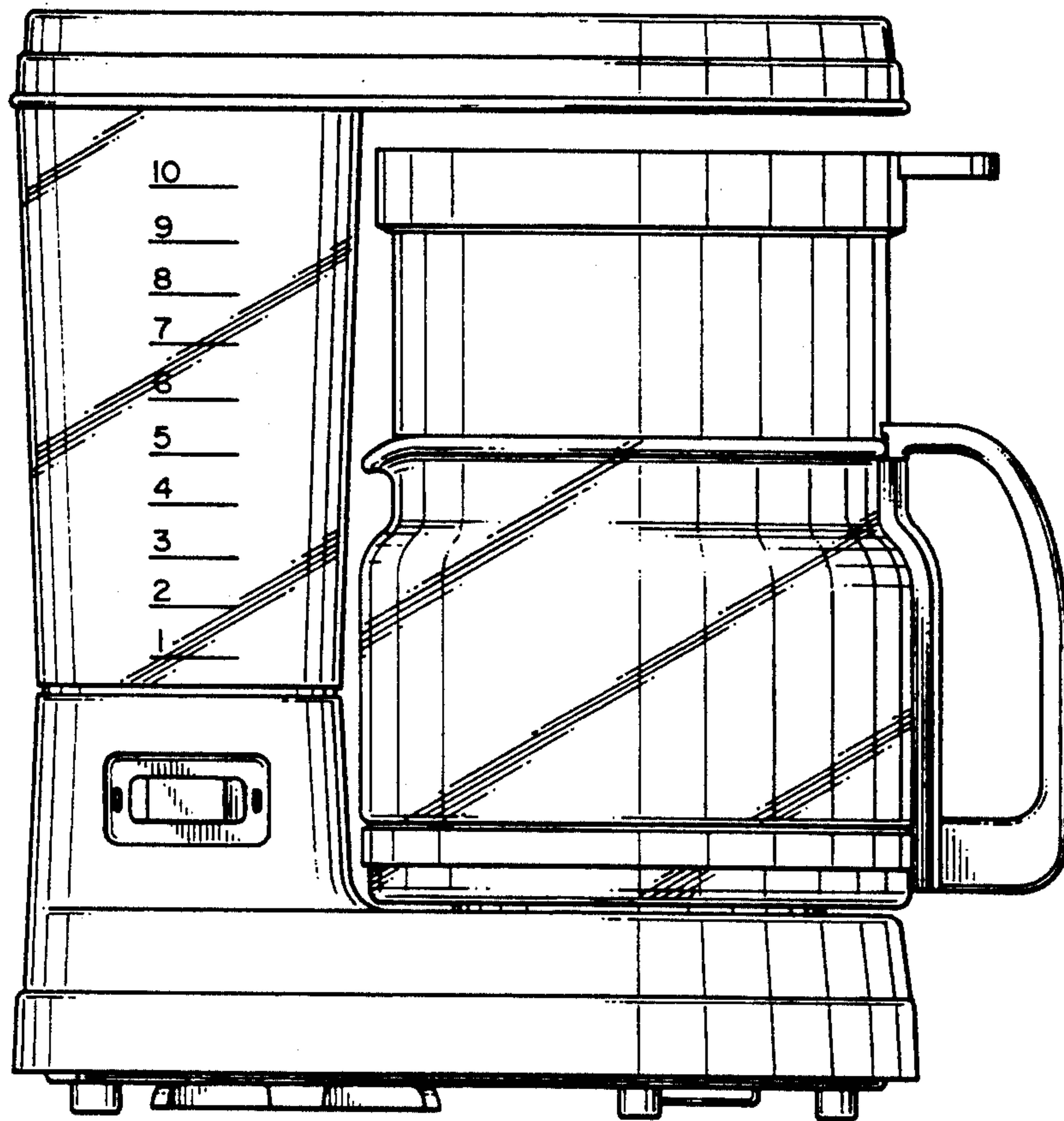


FIG. 2

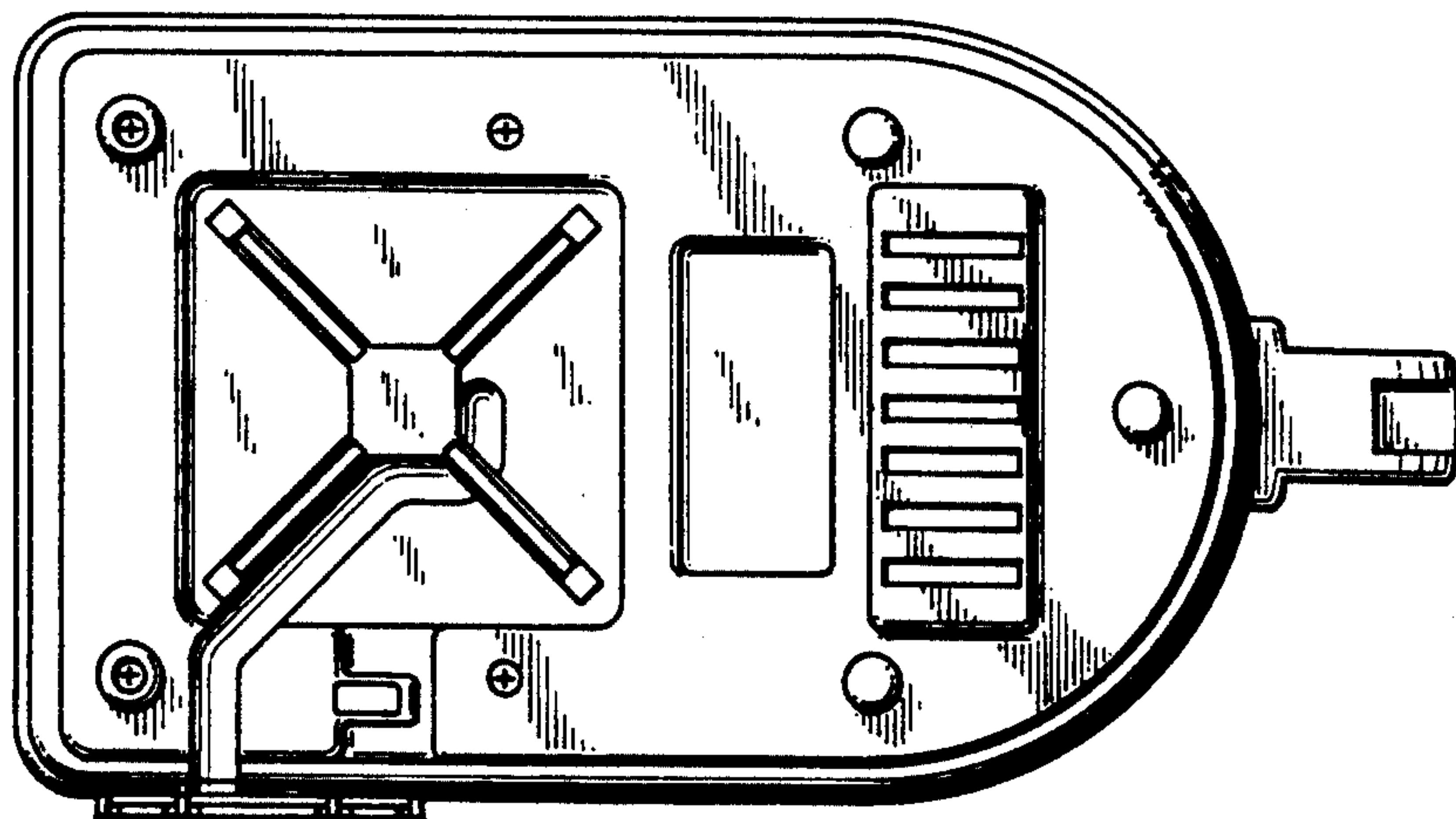


FIG. 3

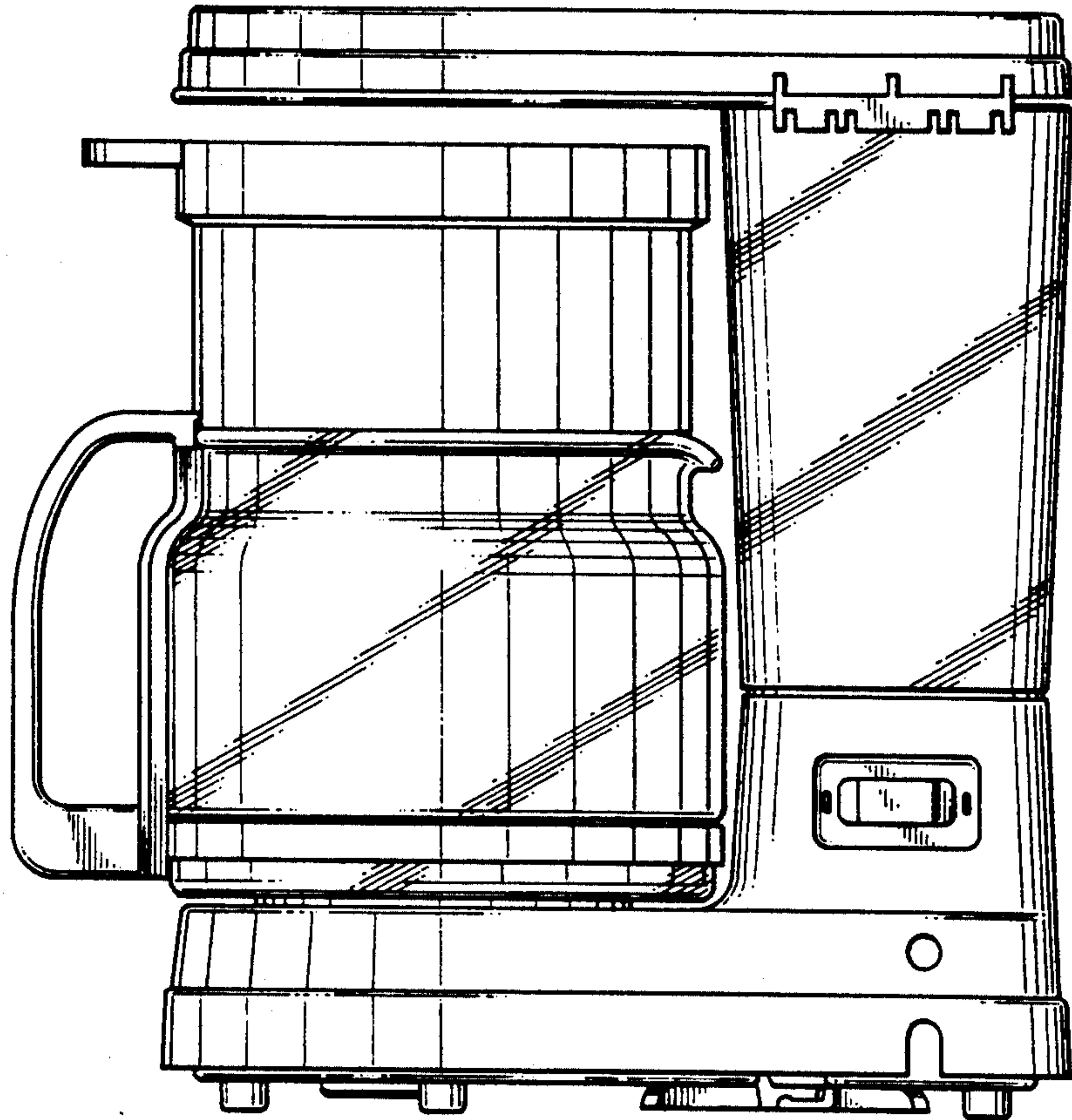


FIG. 4

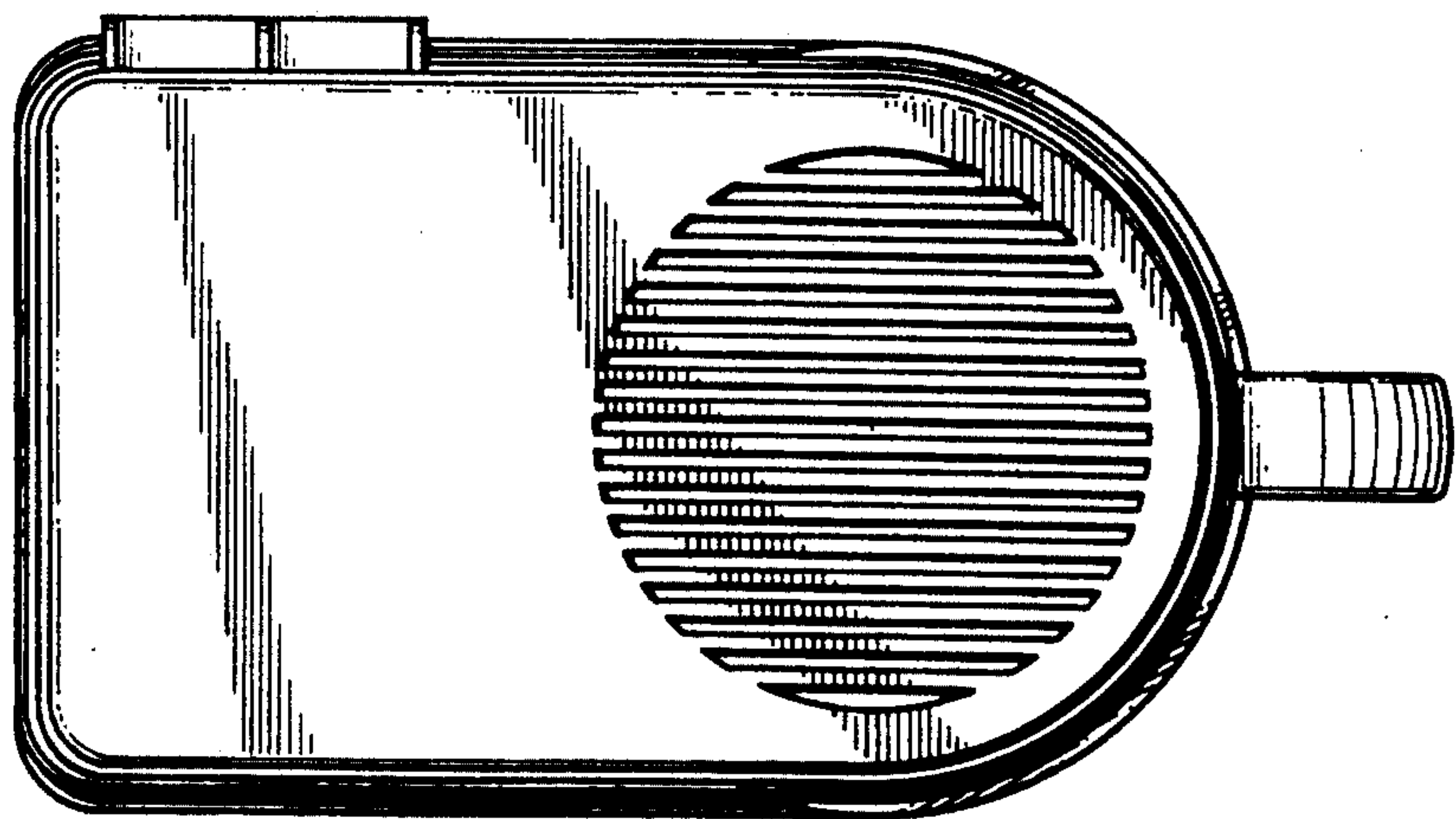


FIG. 6

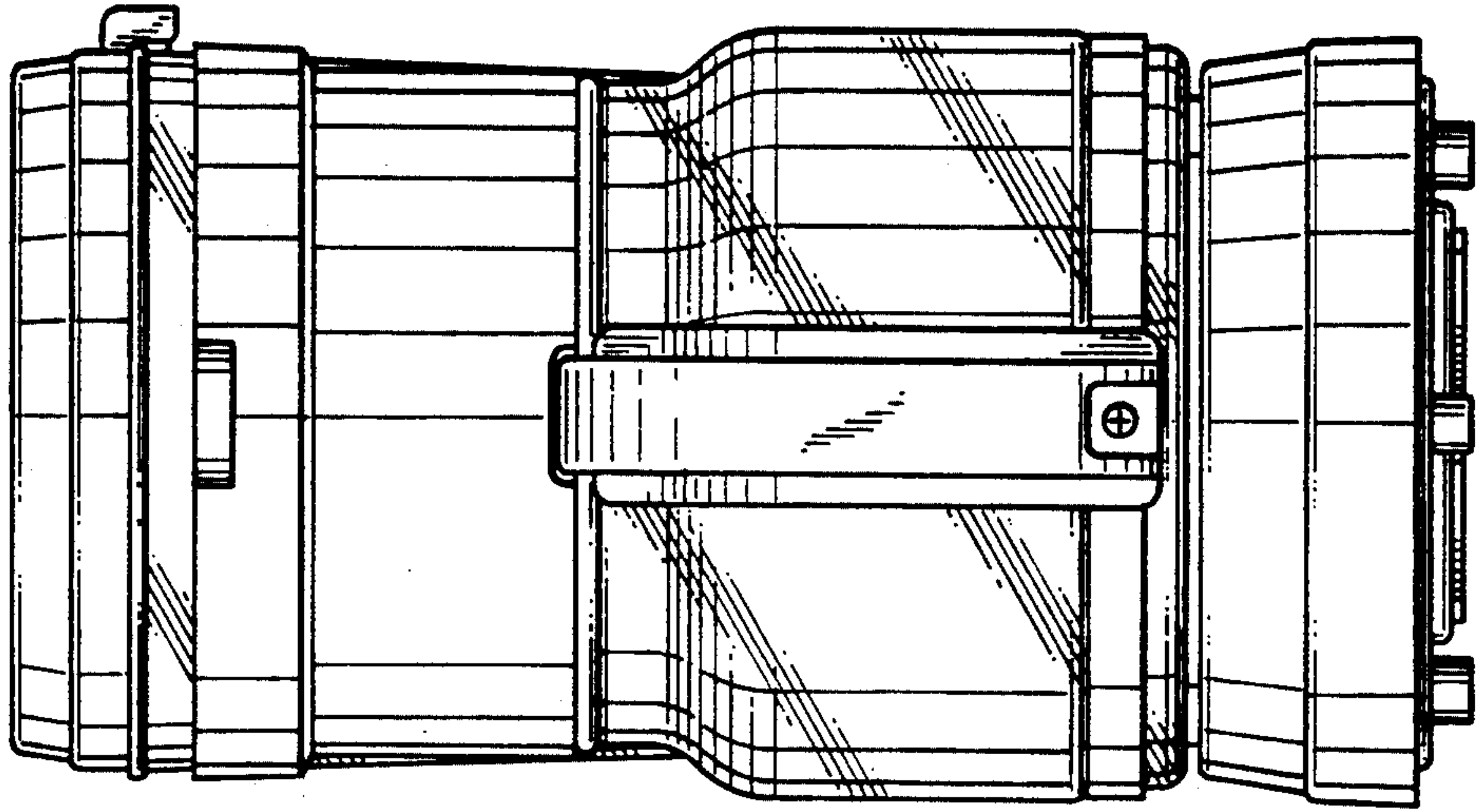


FIG. 5

