



US00D329159S

United States Patent [19]

Oldorf

[11] Patent Number: **Des. 329,159**

[45] Date of Patent: **** Sep. 8, 1992**

[54] **FIVE COLUMN COUNTER DISPLAY**

[76] Inventor: **Dennis L. Oldorf**, 8178 Round Hills Cir., Las Vegas, Nev. 89113

[*] Notice: The portion of the term of this patent subsequent to Jul. 21, 2006 has been disclaimed.

[**] Term: **14 Years**

[21] Appl. No.: **481,465**

[22] Filed: **Feb. 15, 1990**

[52] U.S. Cl. **D6/515; D6/396; D6/408; D6/445; D6/449; D6/512; D6/517; 221/92**

[58] Field of Search **D6/436, 408, 411, 415, D6/422, 432, 438, 444, 448, 446; 312/57.1, 71, 278**

[56] **References Cited**

U.S. PATENT DOCUMENTS

- D. 128,778 8/1941 Gerber D6/408
- D. 151,988 12/1948 Hayman D6/408 X
- D. 157,345 12/1948 Cook D6/408
- D. 214,218 5/1969 Resnick D6/408
- D. 229,998 1/1974 Kleinman D6/408

- D. 252,434 7/1979 Wright D6/408
- D. 260,955 9/1981 Schuler et al. D6/408
- D. 280,581 9/1985 Altadonna D6/445 X
- D. 309,224 7/1990 Rabin D6/408
- D. 316,638 5/1991 Oldorf D6/408
- 3,184,104 5/1965 DeDomenico et al. 221/92
- 4,767,022 8/1988 Oldorf 221/92
- 4,807,779 2/1989 Clapper 221/92

FOREIGN PATENT DOCUMENTS

- 1187388 4/1970 United Kingdom 221/92
- 2026984 2/1980 United Kingdom 221/92

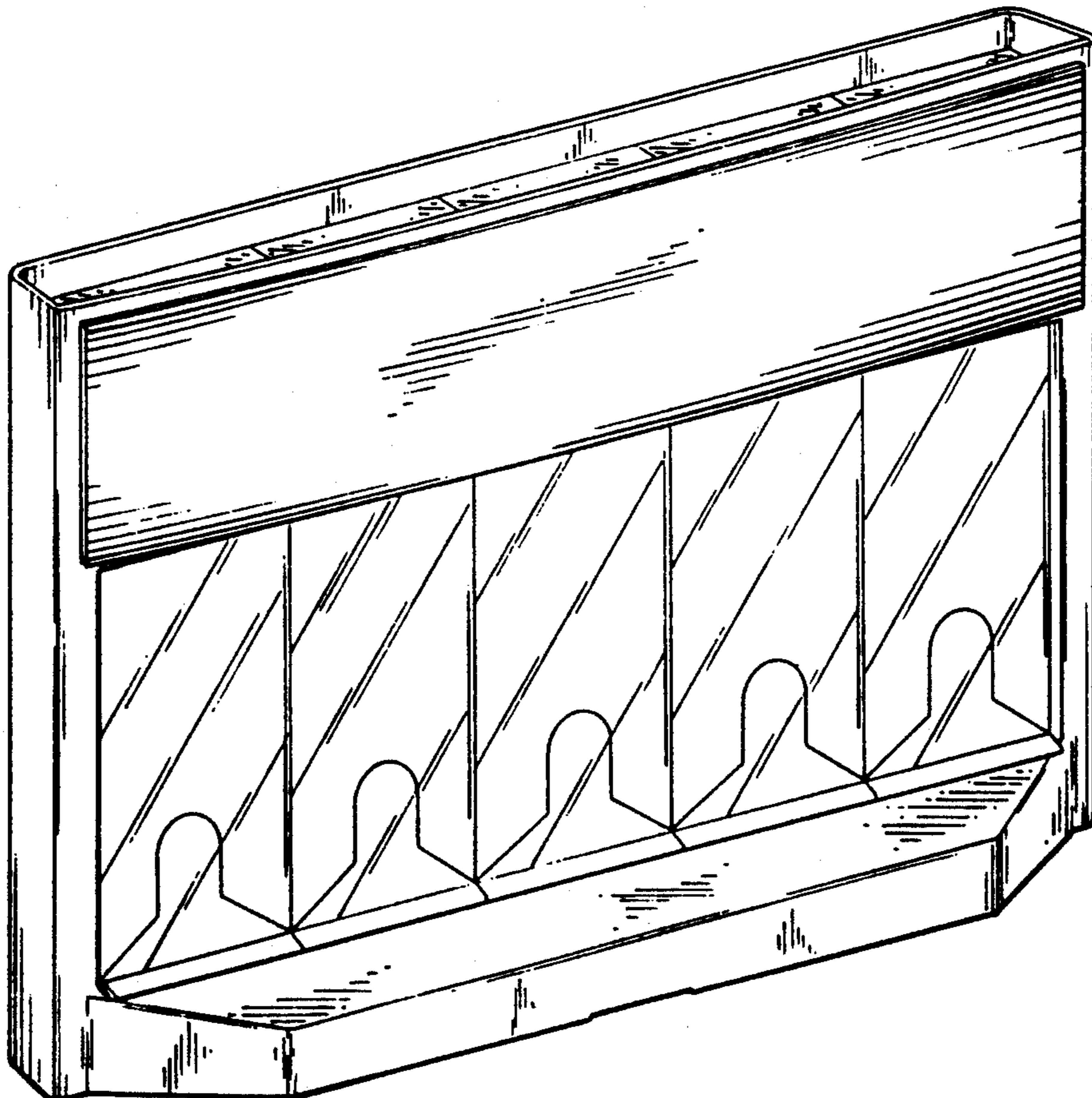
Primary Examiner—Donald P. Walsh
Assistant Examiner—Monica A. Hannon
Attorney, Agent, or Firm—Allan L. Harms

[57] **CLAIM**

The ornamental design for a five column counter display, as shown and described.

DESCRIPTION

FIG. 1 is a front perspective view of a five column counter display showing my new design; and, FIG. 2 is a rear perspective view thereof. The side of the article not shown is a mirror image of the side shown.



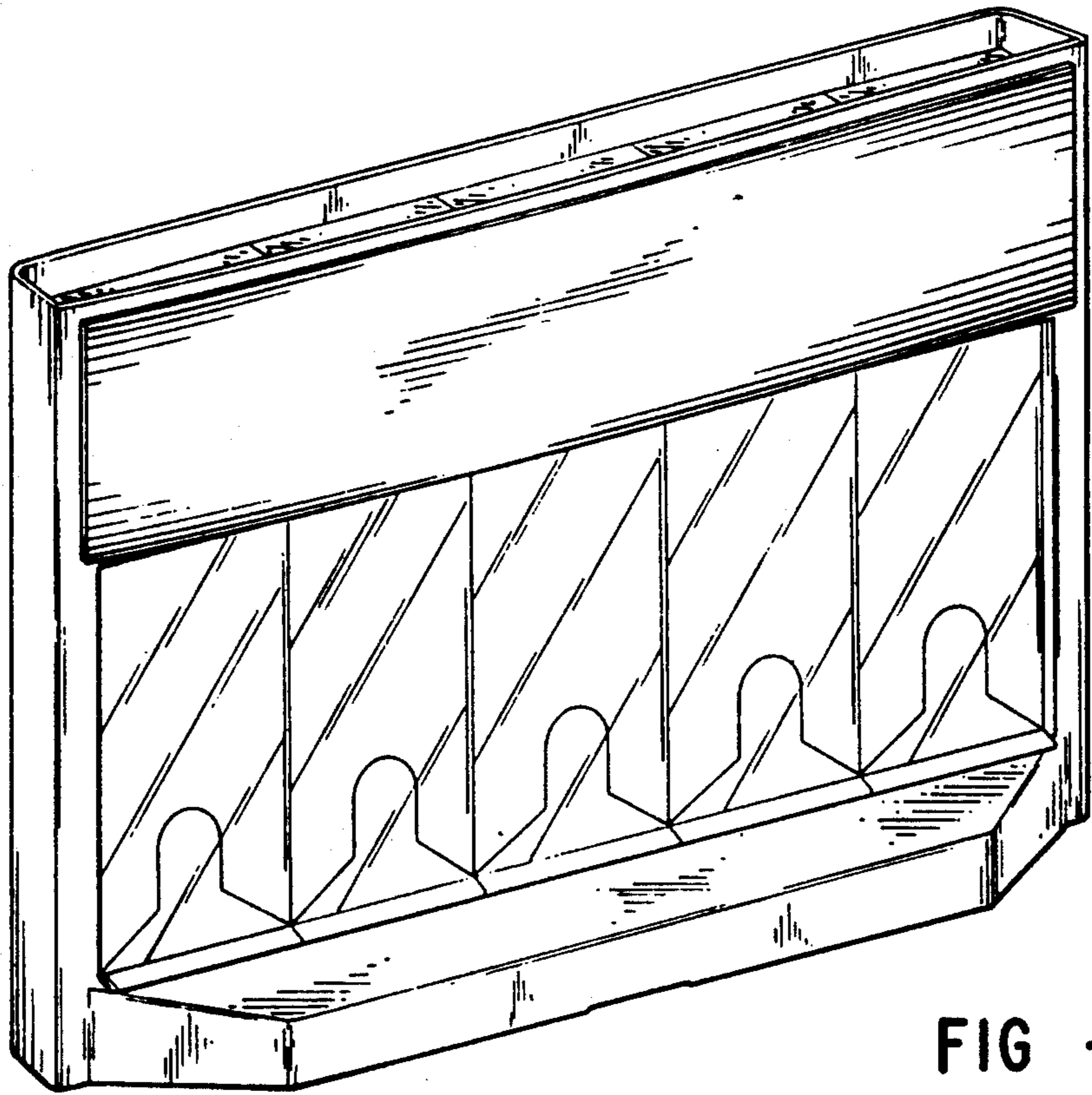


FIG 1

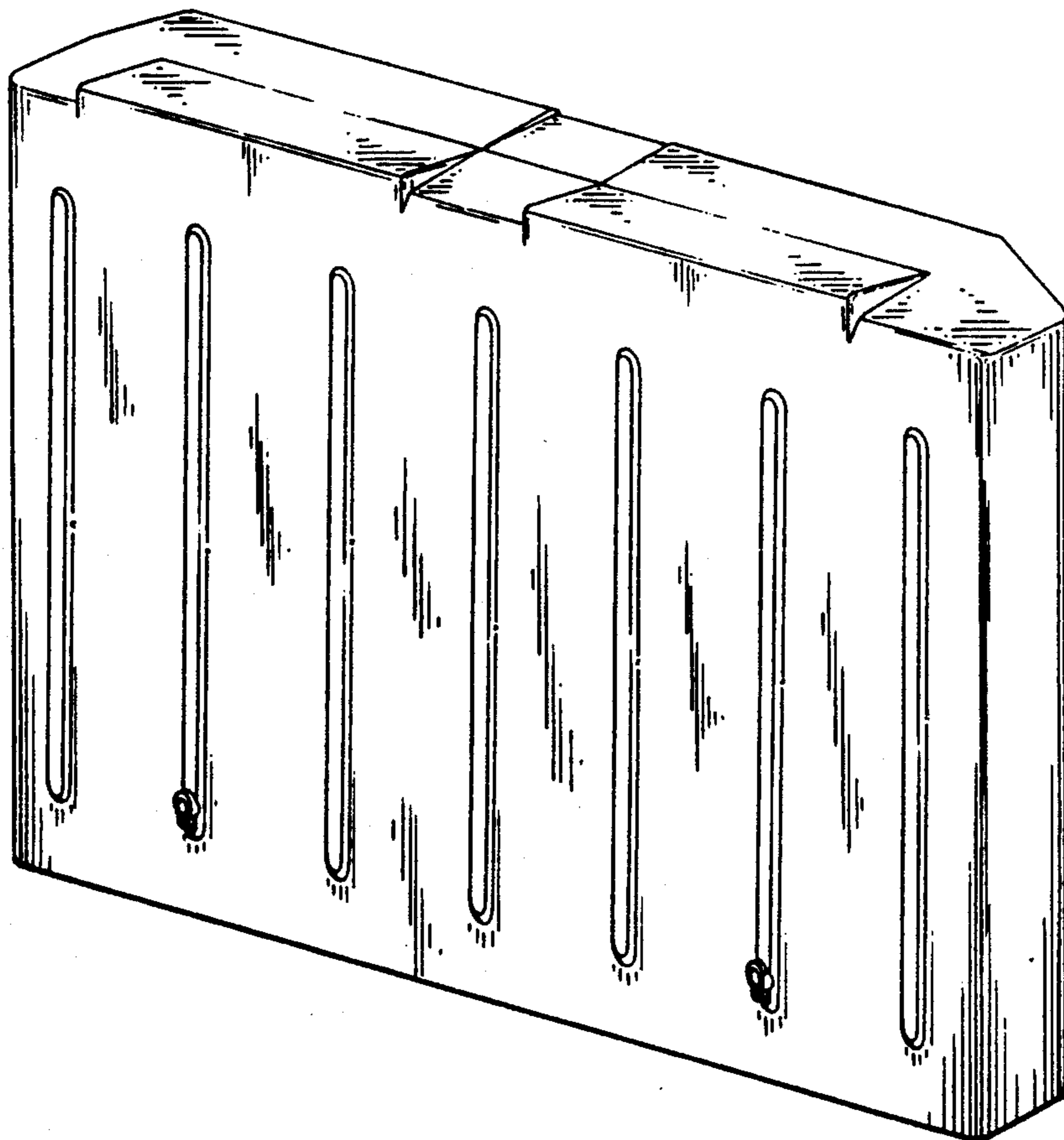


FIG 2