



US00D329150S

United States Patent [19] Ball

[11] Patent Number: **Des. 329,150**

[45] Date of Patent: **** Sep. 8, 1992**

[54] **COMPUTER WORK STATION**

[76] Inventor: **Douglas Ball**, 178 Senneville Road,
Senneville, Que., H9X 3L2, Canada

[**] Term: **14 Years**

[21] Appl. No.: **561,660**

[22] Filed: **Aug. 2, 1990**

[52] U.S. Cl. **D6/397; D6/335;
D6/338; D6/421**

[58] Field of Search **D6/396, 397, 419-428,
D6/335, 338; 52/239; 312/194-196; 108/59,
60, 61, 64**

[56] **References Cited**

U.S. PATENT DOCUMENTS

D. 119,253	3/1940	Balleydier	D6/338
D. 145,443	8/1946	Harsany	D6/338
D. 168,791	2/1953	Giltner	D6/338
D. 208,296	8/1967	Bertley et al.	D6/421 X
D. 225,796	1/1973	Helverson	D6/338
D. 225,871	1/1973	Crannell	D6/421
D. 228,051	8/1973	Masaru et al.	D6/421

D. 239,793	5/1976	Jones	D6/338
D. 263,261	3/1982	Rutter	D6/421
D. 302,362	7/1989	Armstrong	D6/421
D. 314,869	2/1991	Entratter	D6/335
4,856,242	8/1989	Baloga et al.	52/239

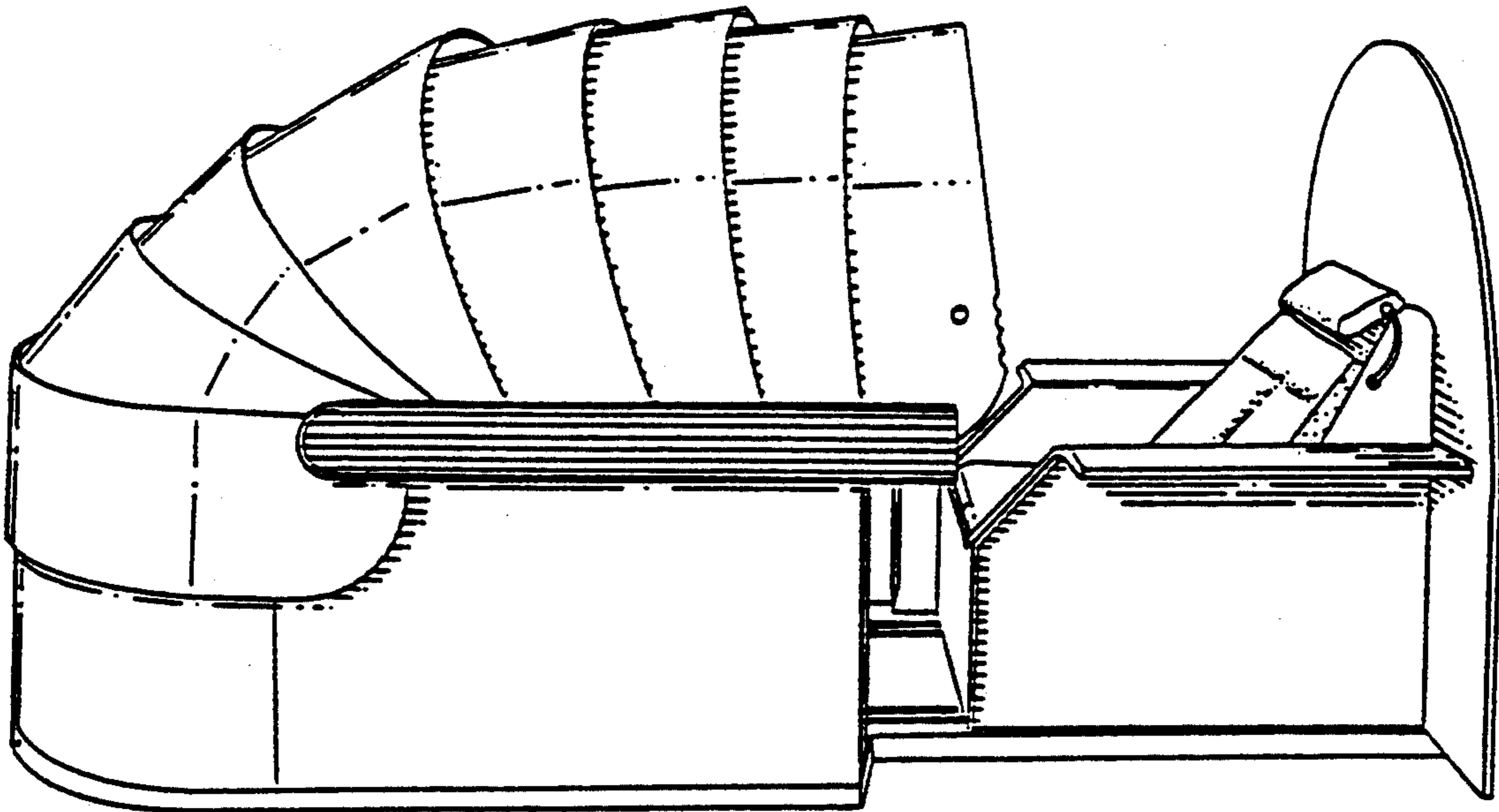
Primary Examiner—Carmen H. Vales-Lado
Attorney, Agent, or Firm—Shlesinger, Arkwright &
Garvey

[57] **CLAIM**

The ornamental design for a computer work station, as shown and described.

DESCRIPTION

FIG. 1 is a top plan view of a computer work station showing my new design;
FIG. 2 is a side elevational view thereof;
FIG. 3 is a rear elevational view thereof;
FIG. 4 is a side perspective view thereof;
FIG. 5 is a front perspective view thereof;
FIG. 6 is a rear perspective view thereof; and,
FIG. 7 is a rear perspective view of a modified form of the computer work station shown in FIG. 1.



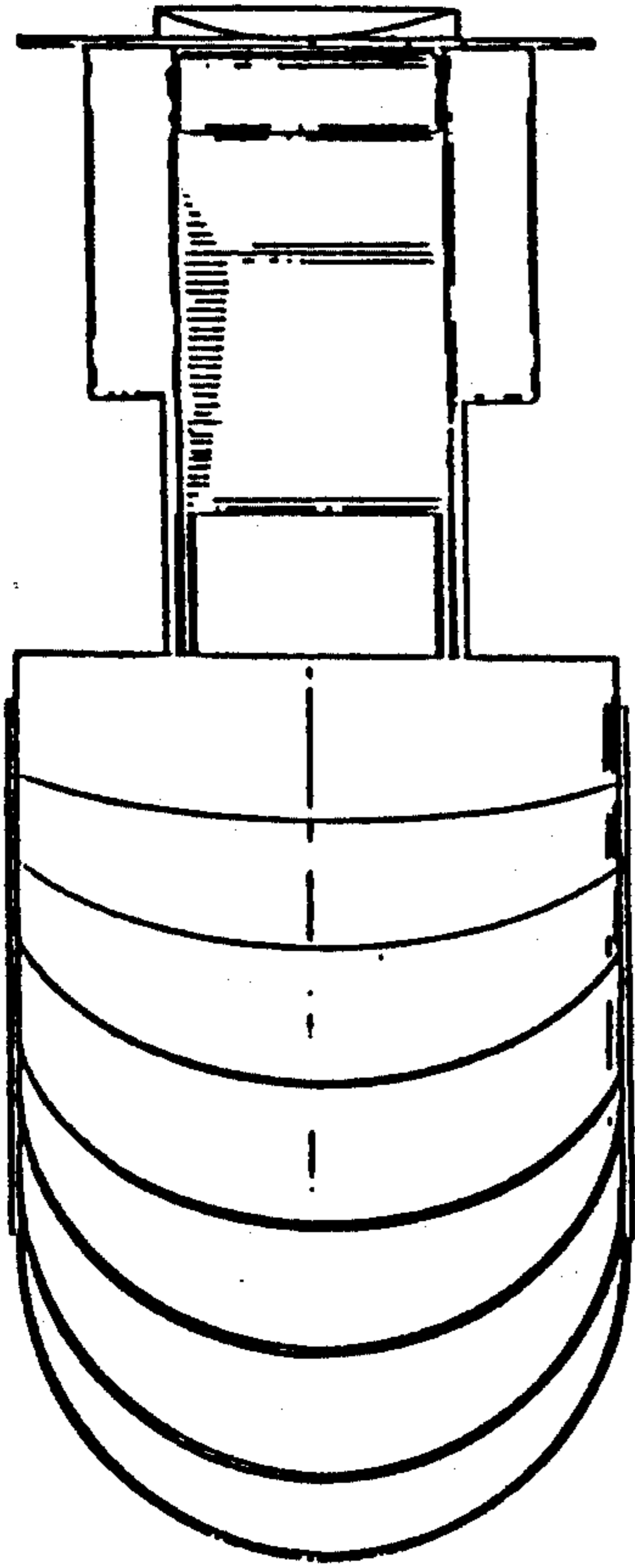


FIG. 1

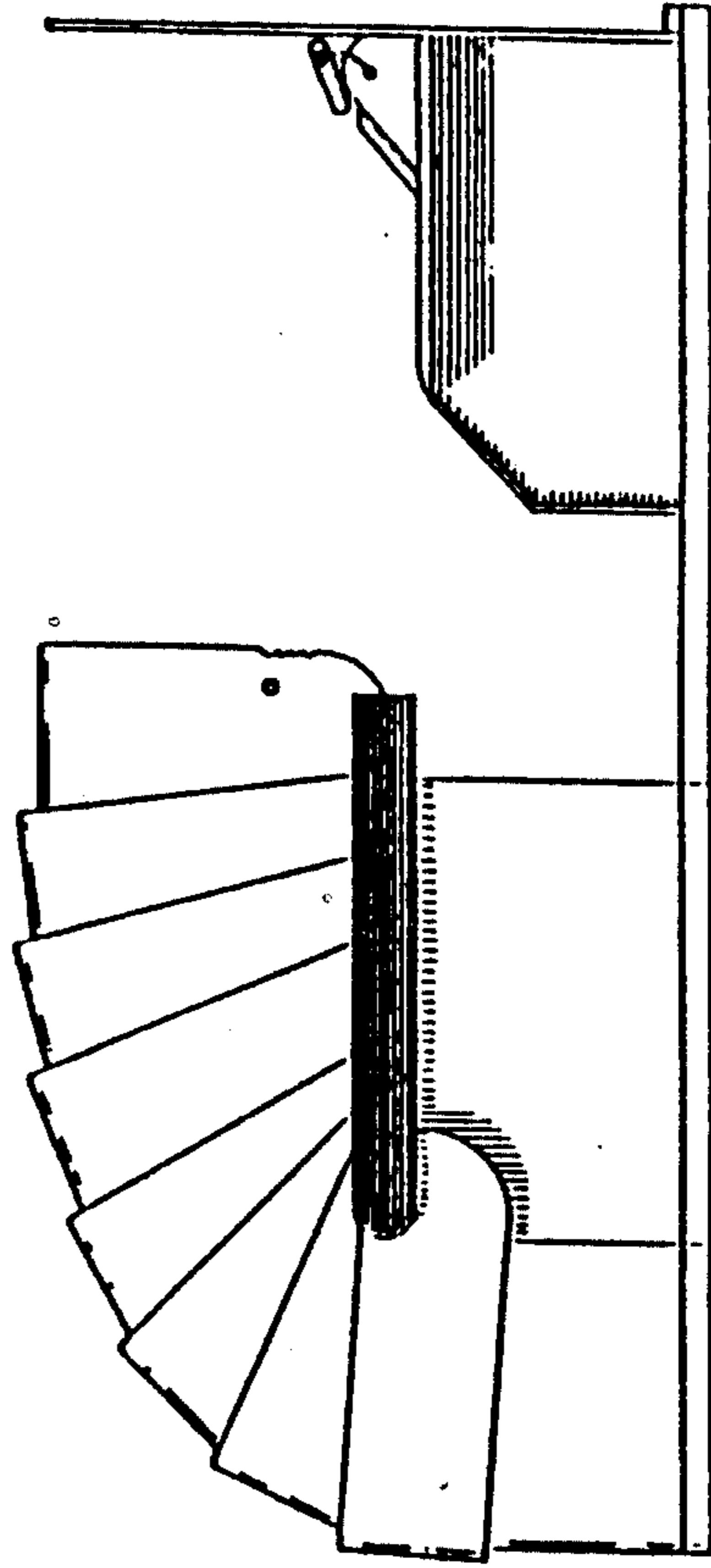


FIG. 2

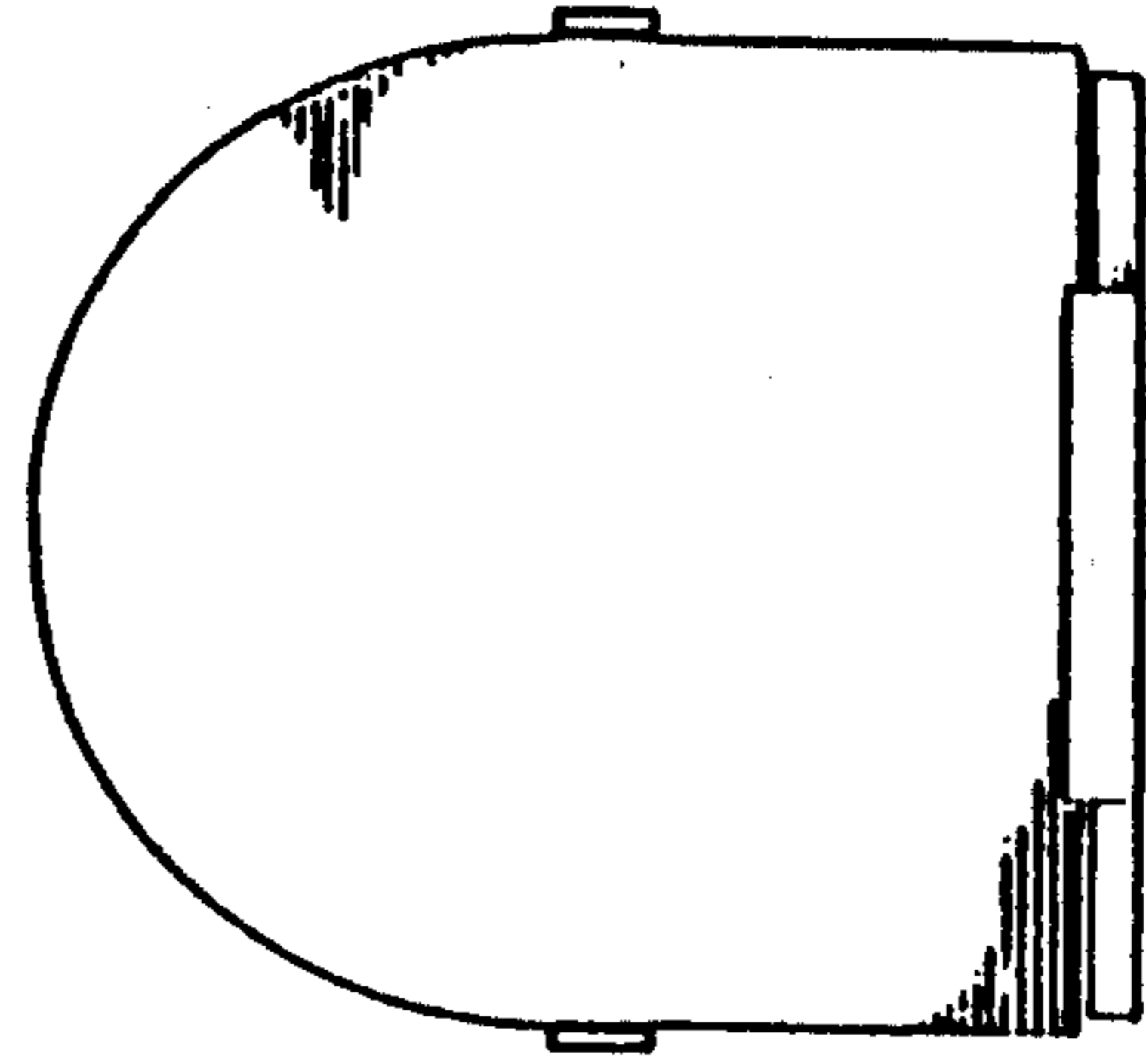


FIG. 3

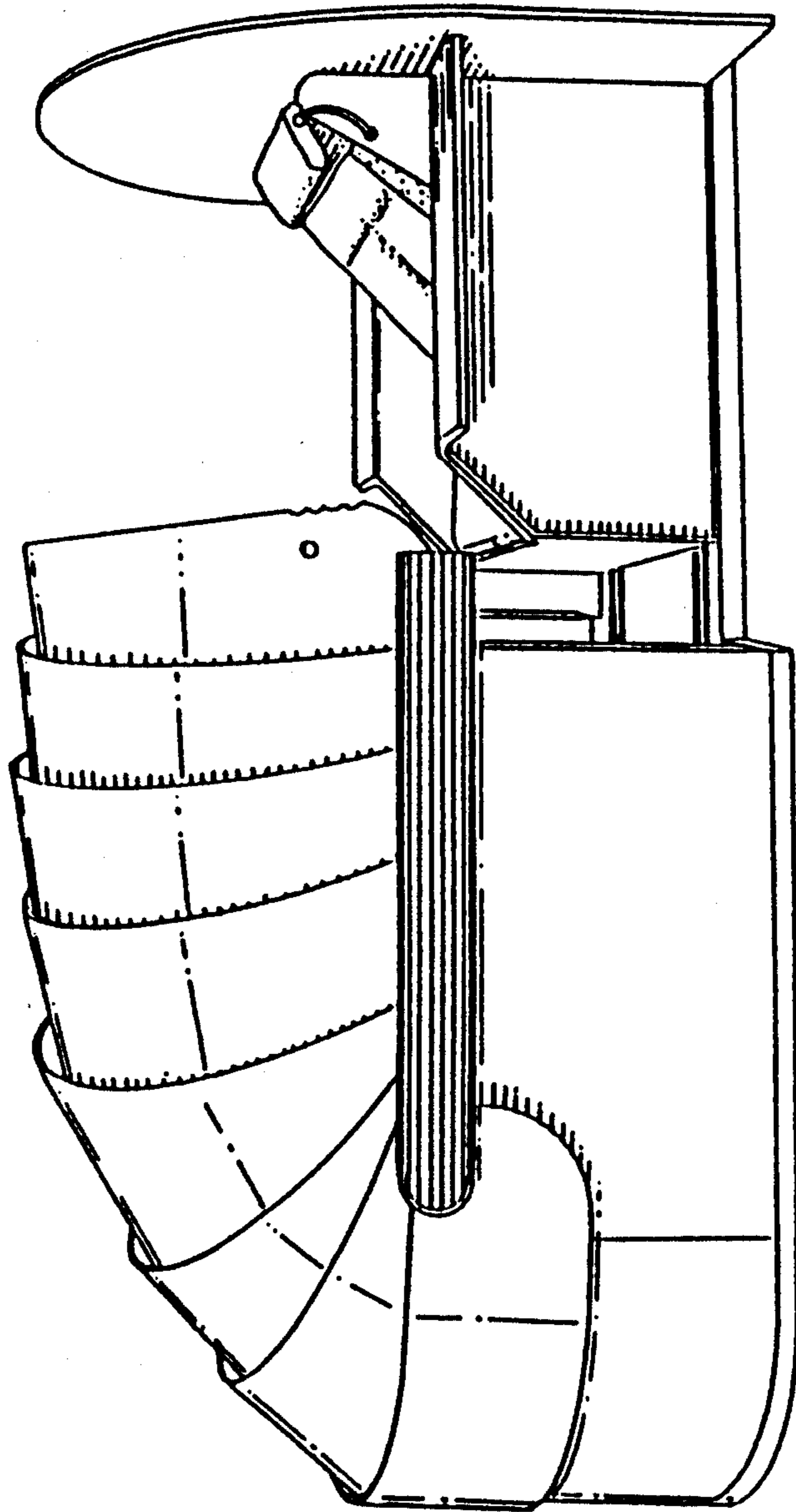


FIG. 4

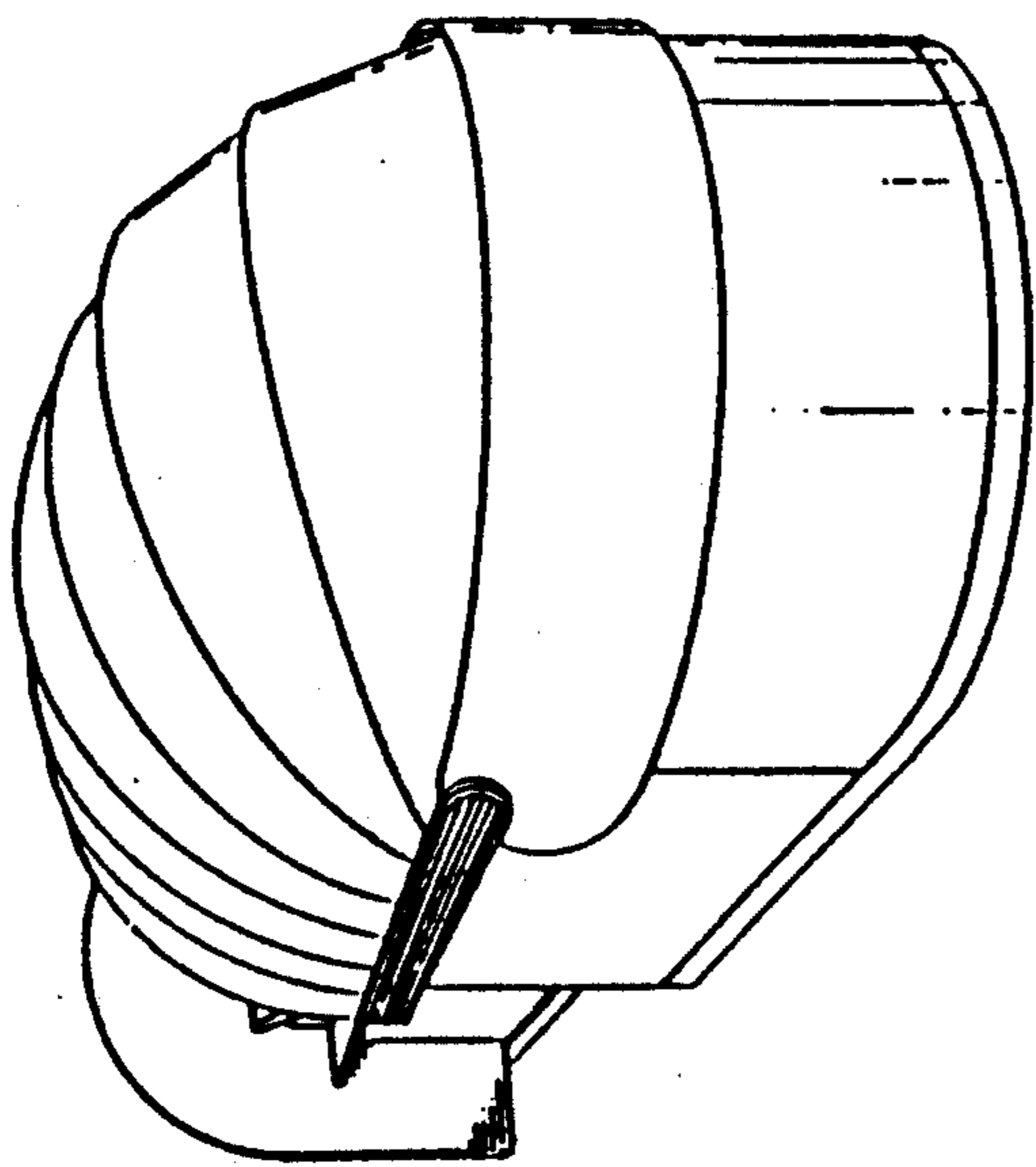


FIG. 5

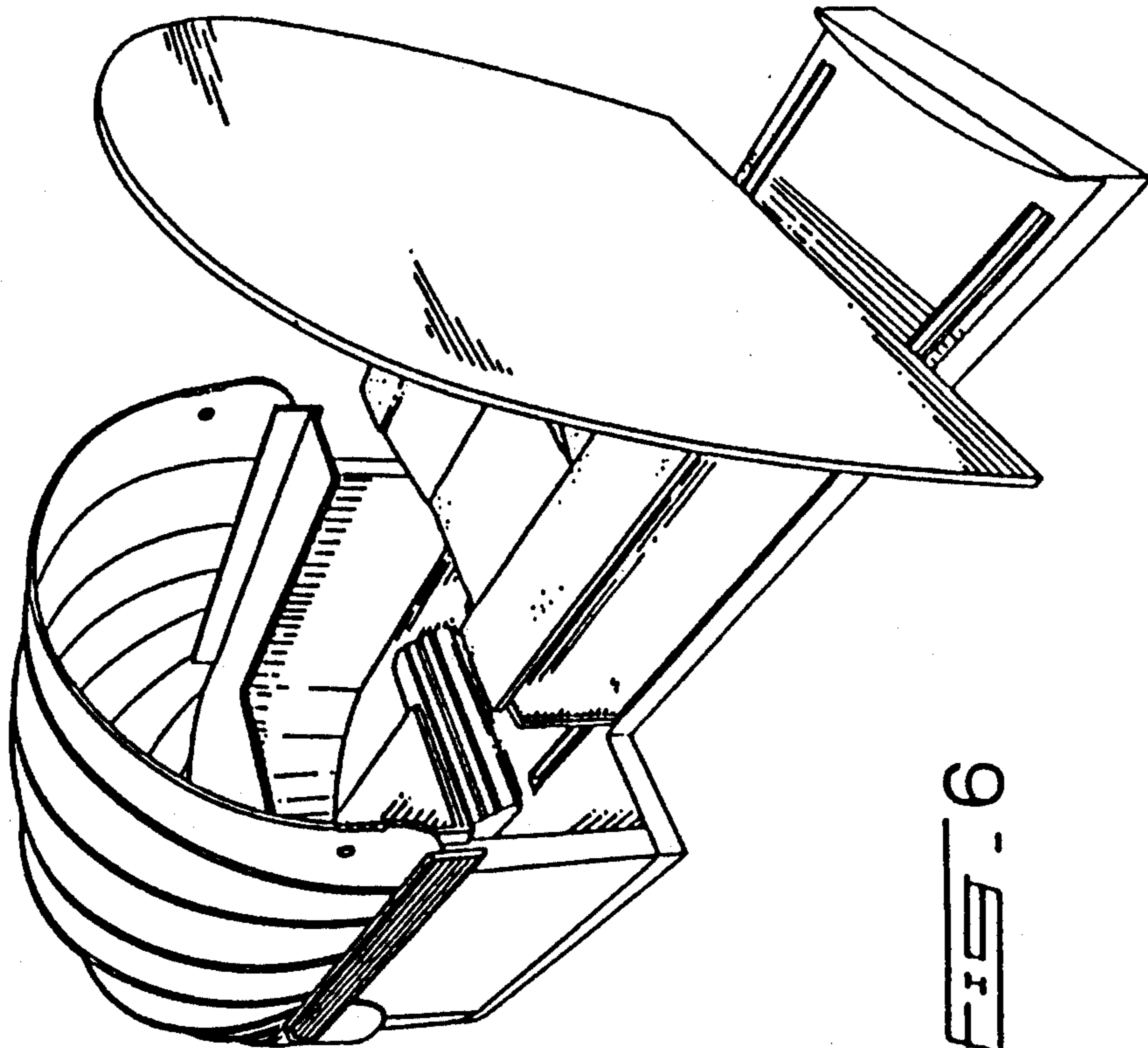


FIG. 6

