



US00D329140S

United States Patent [19]

[11] Patent Number: **Des. 329,140**

Maricle

[45] Date of Patent: **** Sep. 8, 1992**

[54] **CARRYING CASE FOR SHOTGUN SHELLS**

[76] Inventor: **Mark W. Maricle, P.O. Box 323, Jamestown, Colo. 80455**

[**] Term: **14 Years**

[21] Appl. No.: **521,168**

[22] Filed: **May 9, 1990**

[52] U.S. Cl. **D3/104; D3/106; D3/38**

[58] Field of Search **D3/100-106, D3/36, 38, 39, 74, 75; D9/423, 424; 224/253, 252, 245, 228, 226, 239; 192; 206/581, 242, 317, 77.1, 823; D27/183, 186, 189, 173, 174, 175, 176; D6/532-534; 42/87; 414/786**

[56] **References Cited**

U.S. PATENT DOCUMENTS

D. 263,987	4/1982	Milliman	D3/100
D. 279,507	7/1985	Schechter et al.	D27/189
D. 284,714	7/1986	Thor	D3/100 X
1,272,965	7/1918	Kartzmark	D27/176 X
1,273,264	7/1918	Moran	D27/189 X
2,426,484	8/1947	Buffenburger	224/253 X
3,286,890	11/1966	Hildebrandt	224/252 X
3,789,531	2/1974	Kerstein	42/87
4,004,683	1/1977	Pomoroy et al.	206/3

4,194,657	3/1980	Thor	224/252
4,262,833	4/1981	DeSantis	224/239
4,288,197	9/1981	Gurolnick	414/786
4,387,805	6/1983	Lanius	D3/74 X
4,757,894	7/1988	Schreckerstein	224/253 X
4,942,991	7/1990	Lyons	224/245 X

FOREIGN PATENT DOCUMENTS

207205	3/1957	Australia .
72411	9/1916	Austria .

Primary Examiner—Donald P. Walsh
Assistant Examiner—M. N. Pandozzi
Attorney, Agent, or Firm—Duane Burton

[57] **CLAIM**

The ornamental design for a carrying case for shotgun shells, as shown and described.

DESCRIPTION

FIG. 1 is a perspective view of a carrying case for shotgun shells showing my new design in use;
FIG. 2 is a top, front, right perspective view thereof;
FIG. 3 is an exploded perspective view thereof with lid removed;
FIG. 4 is a right side elevational view, the left side being a mirror image thereof; and,
FIG. 5 is a front elevational view, the rear elevational view being a mirror image thereof.

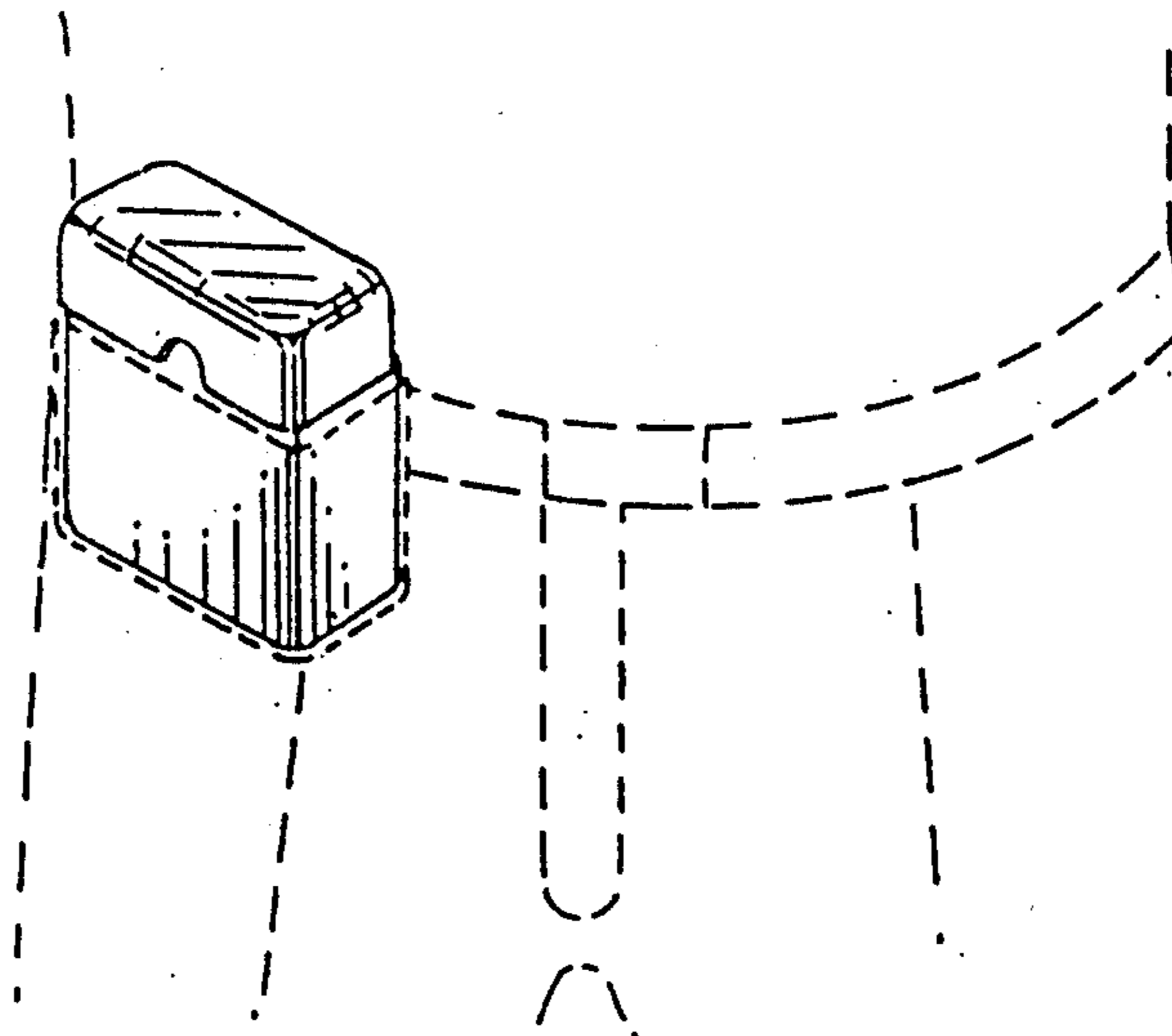


FIG.1

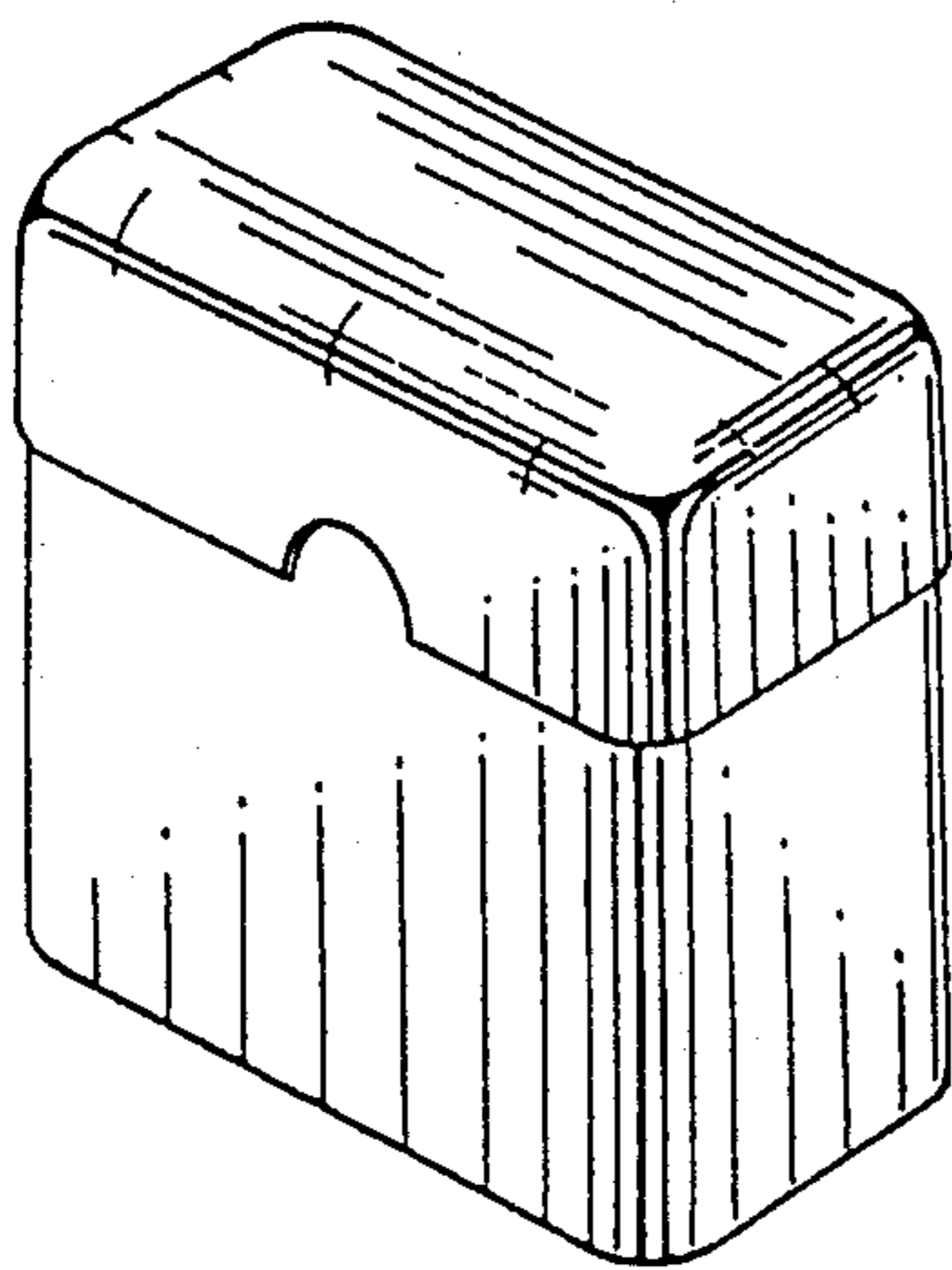
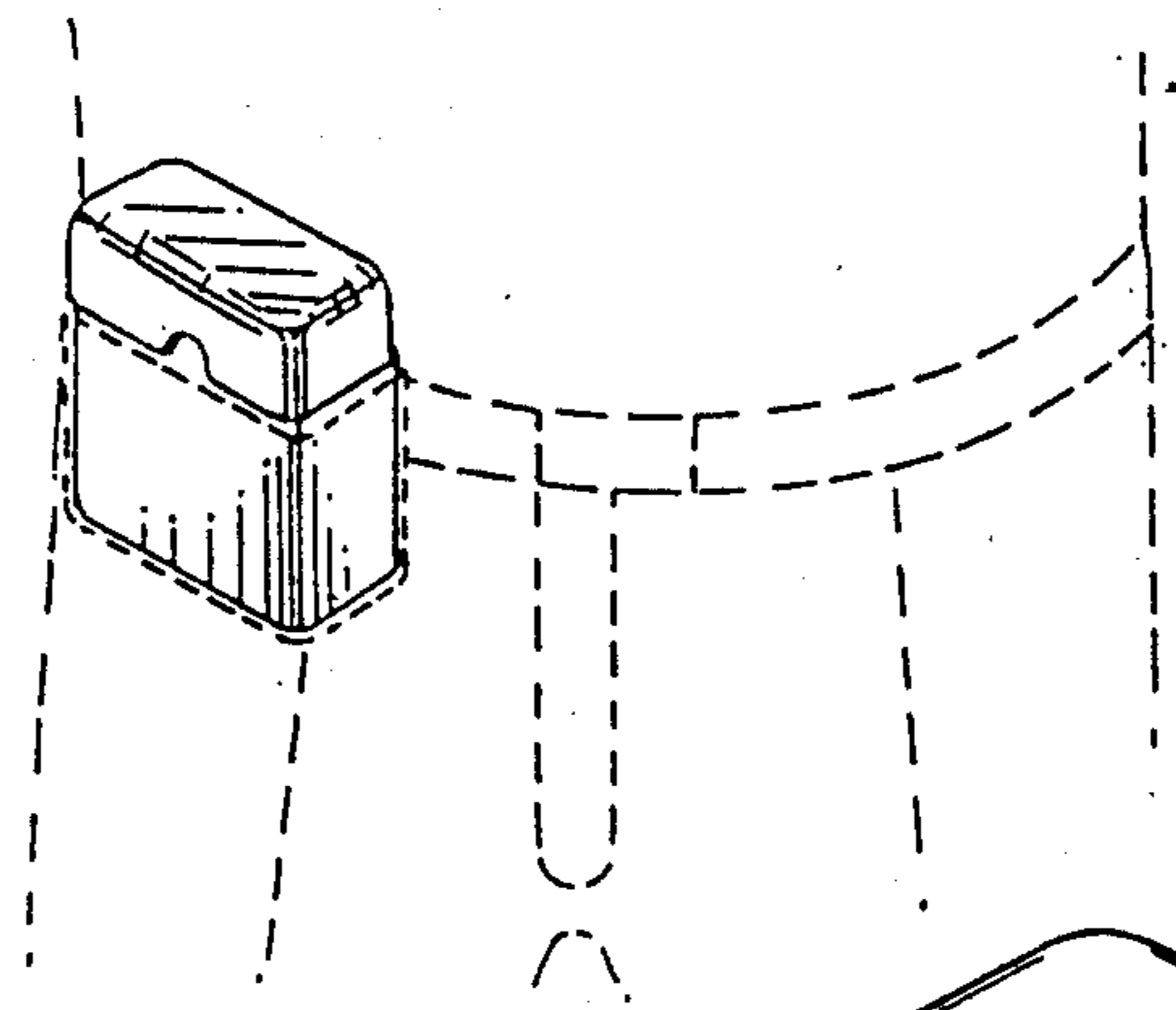


FIG.2

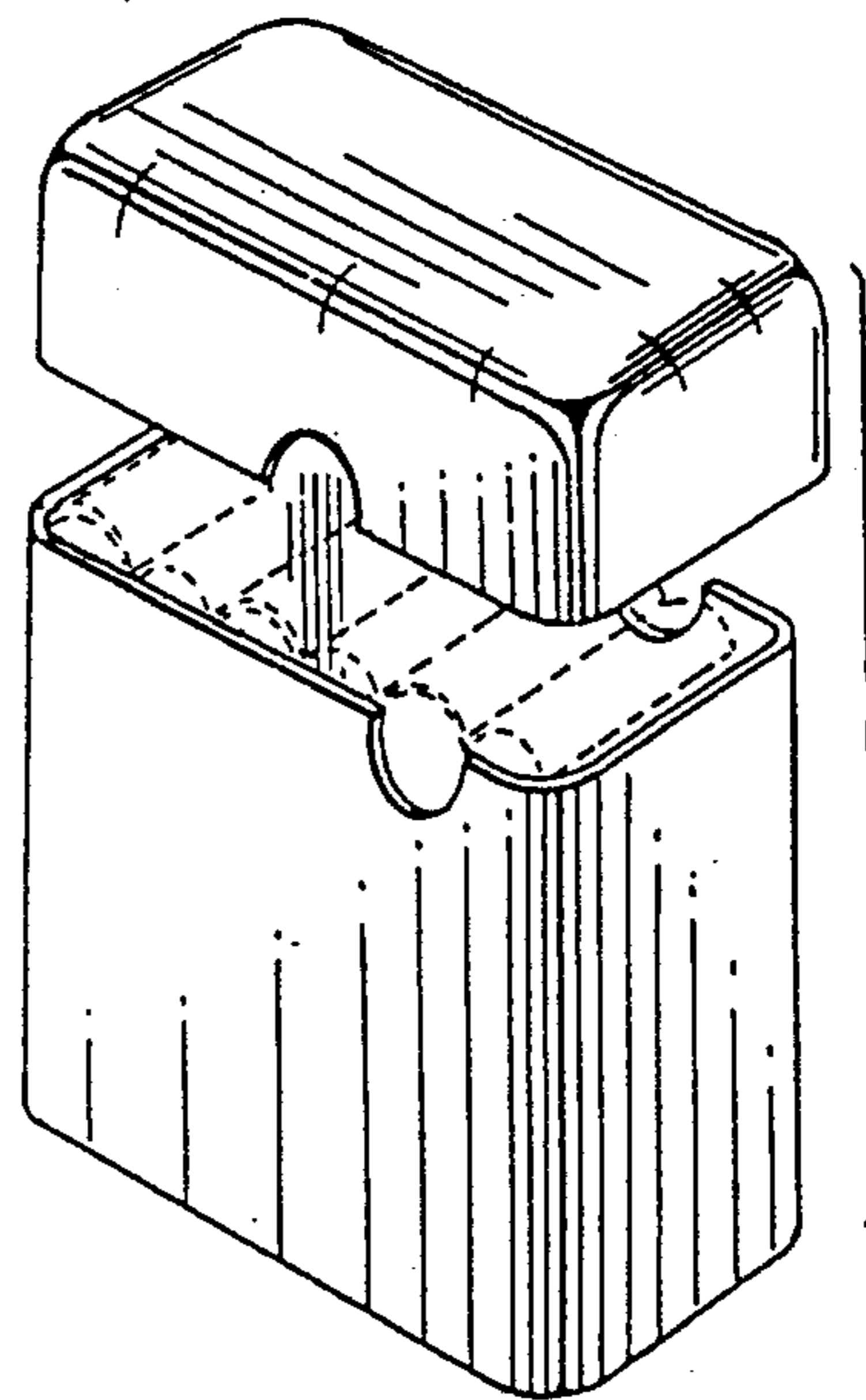


FIG.3

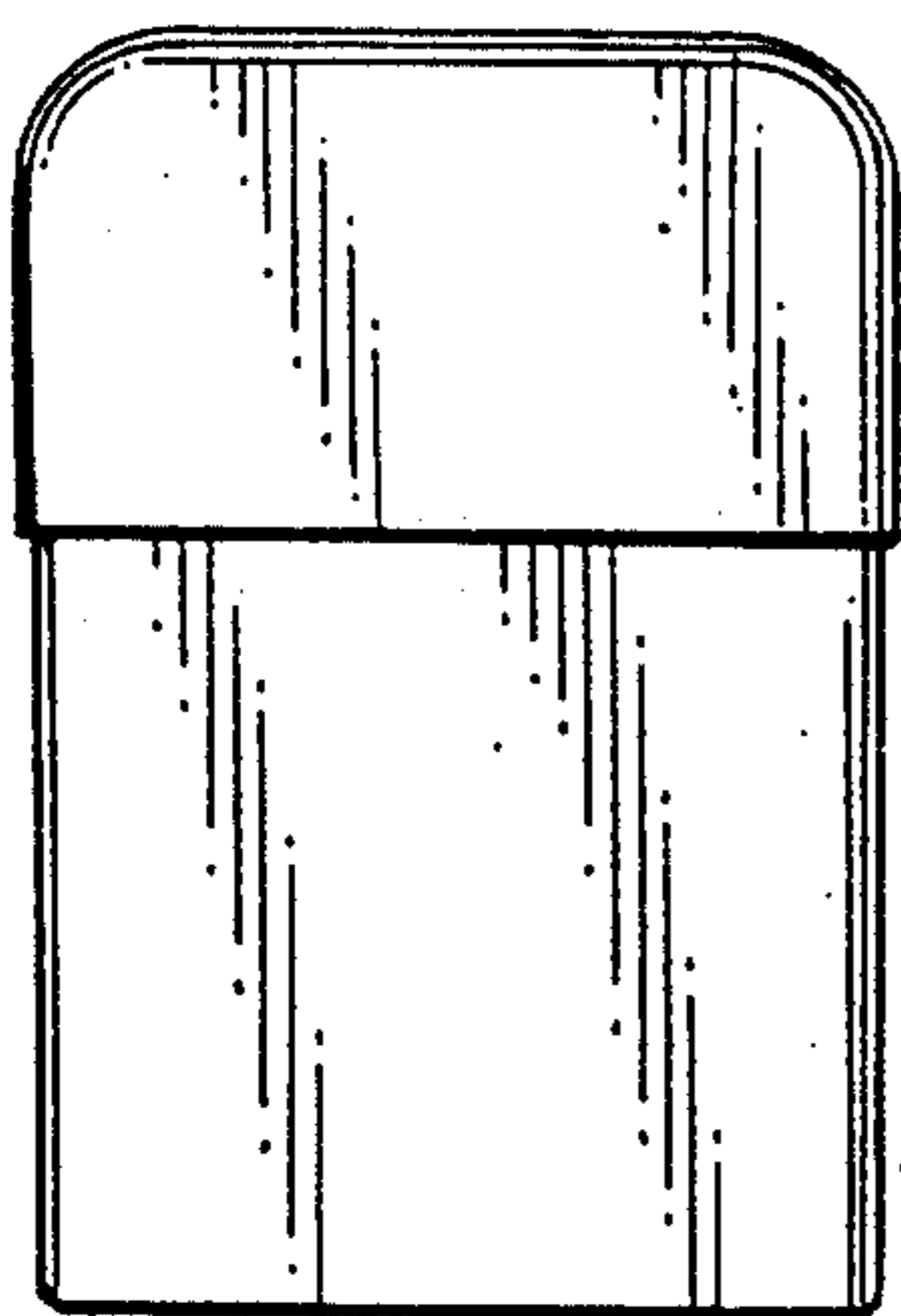


FIG.4

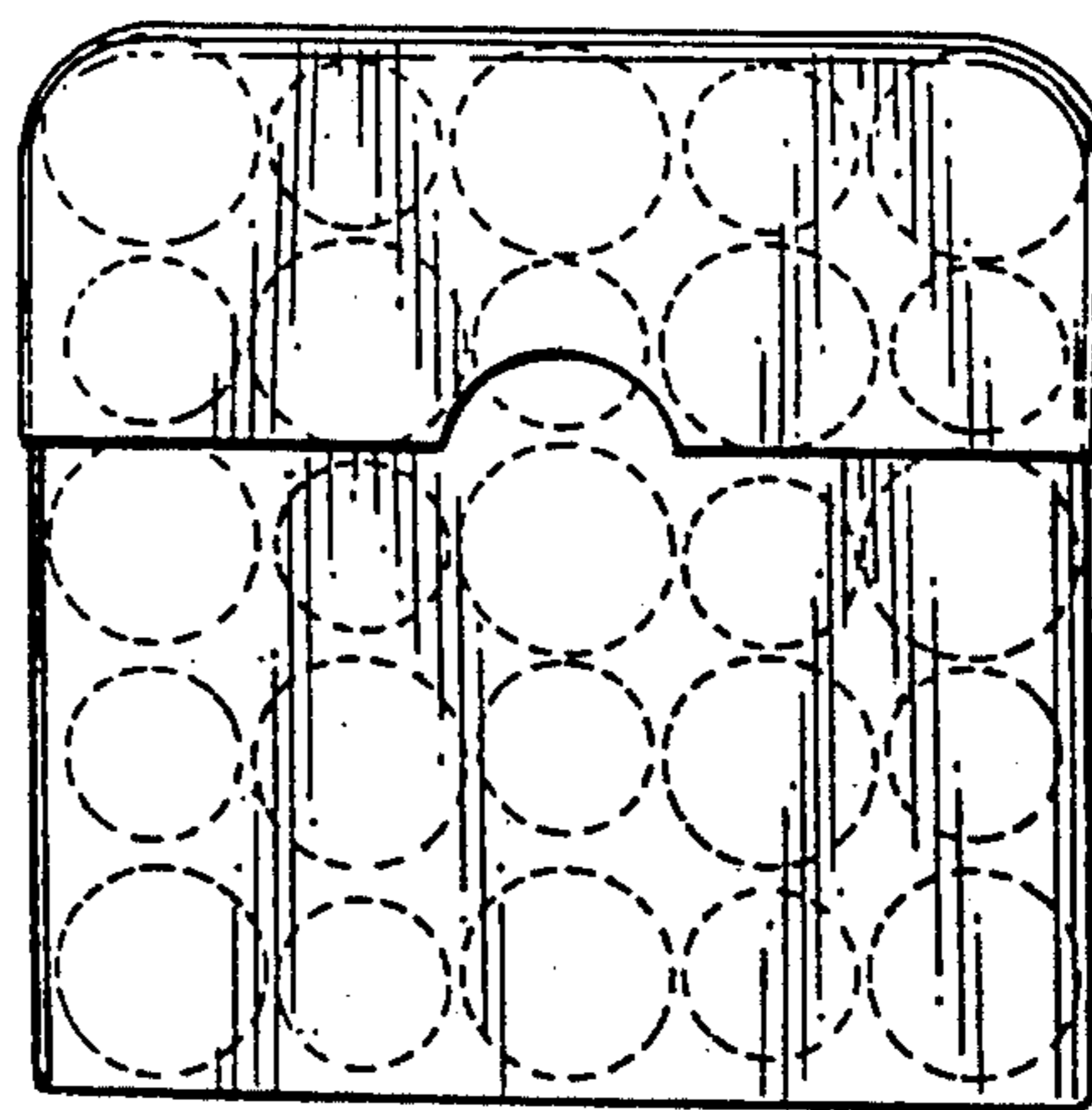


FIG.5