



US00D329113S

United States Patent [19] Kim

[11] Patent Number: **Des. 329,113**

[45] Date of Patent: **** Sep. 1, 1992**

[54] JACK

[76] Inventor: **Kwang E. Kim**, 401 E. 6th St., West Liberty, Iowa 52776

[**] Term: **14 Years**

[21] Appl. No.: **620,331**

[22] Filed: **Nov. 29, 1990**

[52] U.S. Cl. **D34/31**

[58] Field of Search **D34/31; 294/11-13, 294/DIG. 1, 93 H, 134, 420, 94**

Automotive News, May 29, 1961, p. 26, jack, located in middle of page.

Bus Transportation, Feb. 1954, p. 128, jack, located in middle of page.

The Picture Book of Symbols, 1956, p. 12, crossed hammers, circled item on right side of page.

The Picture Book of Symbols, 1956, p. 14, crossed swords, located on right hand side of page.

Primary Examiner—Wallace R. Burke

Assistant Examiner—H. Baynham

Attorney, Agent, or Firm—Leon Gilden

[57] CLAIM

The ornamental design for a jack, as shown and described.

[56] References Cited

U.S. PATENT DOCUMENTS

D. 59,883	12/1921	Avery	D34/31
D. 140,518	3/1945	Page	D34/31
D. 172,789	8/1954	Haferkam	D34/31
D. 227,394	6/1973	Hey-Shipton	D34/31
D. 228,300	9/1973	Keams	D34/31

OTHER PUBLICATIONS

Machinery, Jan. 1964, p. 74, vertical jack, item a at top of page.

Motor, Feb. 1960, p. 155, hand jack, item A in middle of page.

DESCRIPTION

FIG. 1 is a front elevational view of a jack showing my new design;

FIG. 2 is a rear elevational view thereof;

FIG. 3 is a left side elevational view thereof;

FIG. 4 is a right side elevational view thereof;

FIG. 5 is a top plan view thereof;

FIG. 6 is a bottom plan view thereof; and,

FIG. 7 is a perspective view thereof.

The broken line showing of a pipe or similar article is for illustrative purposes only and forms no part of the claimed design.

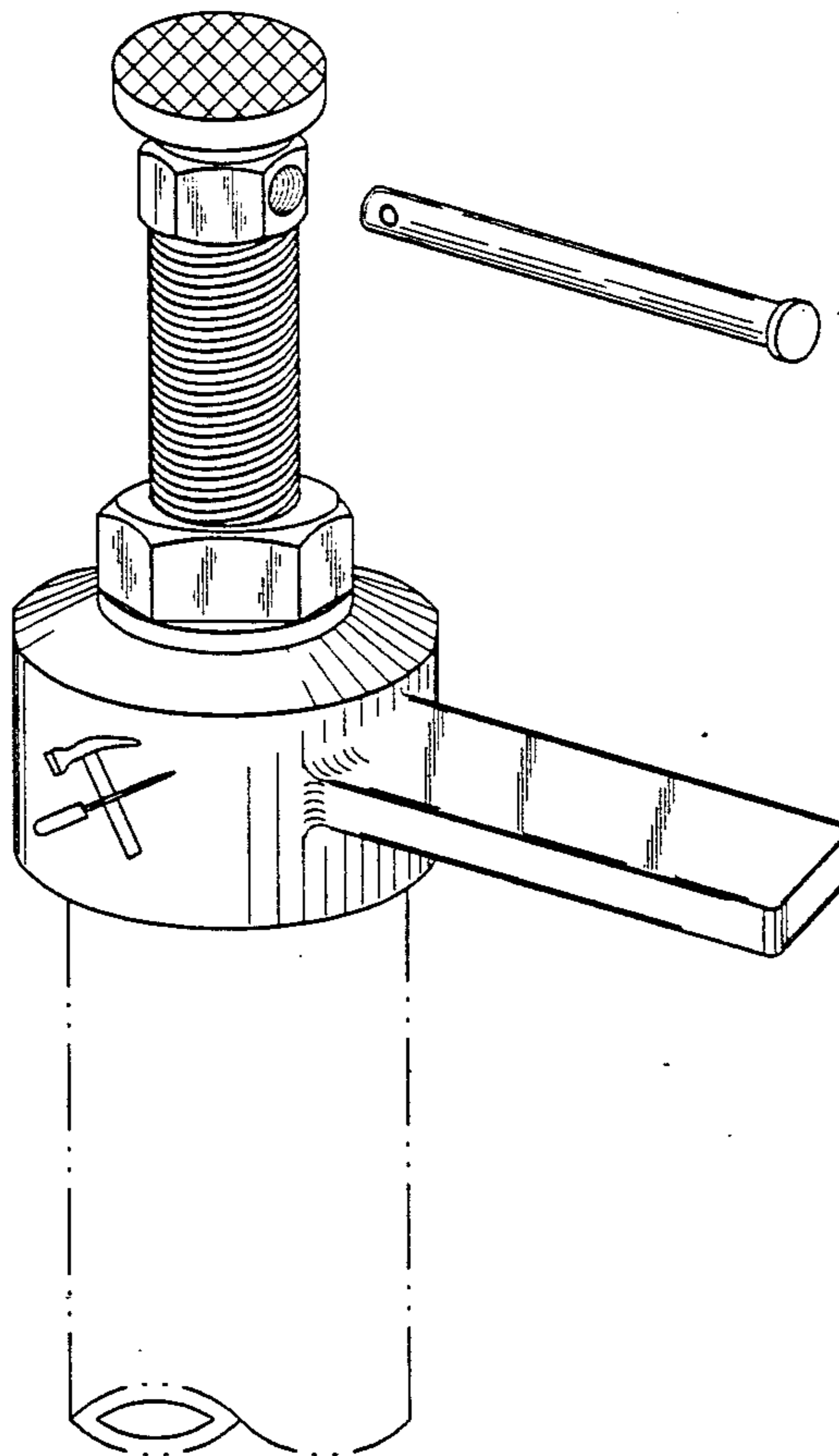


FIG. 1

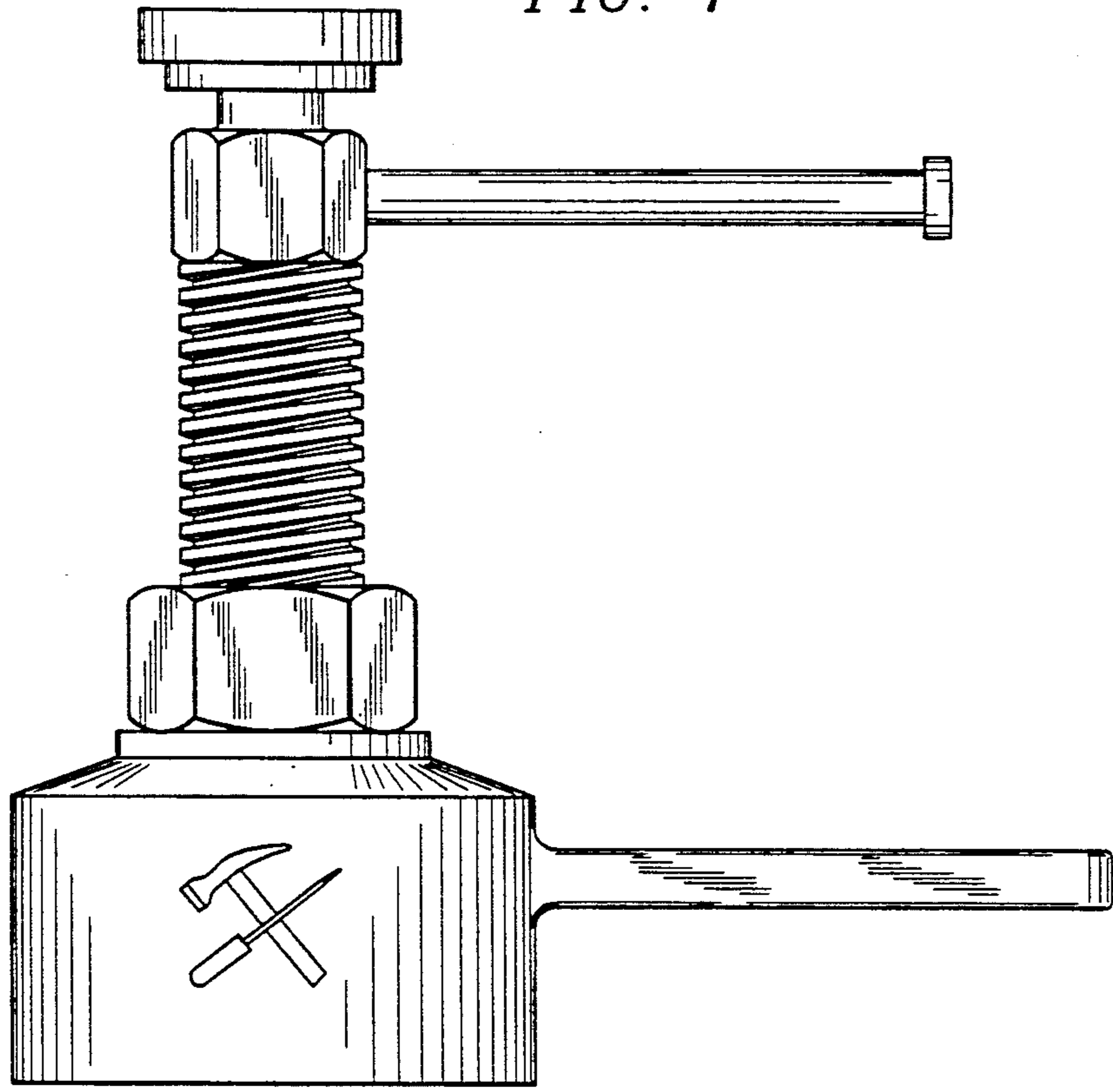


FIG. 2

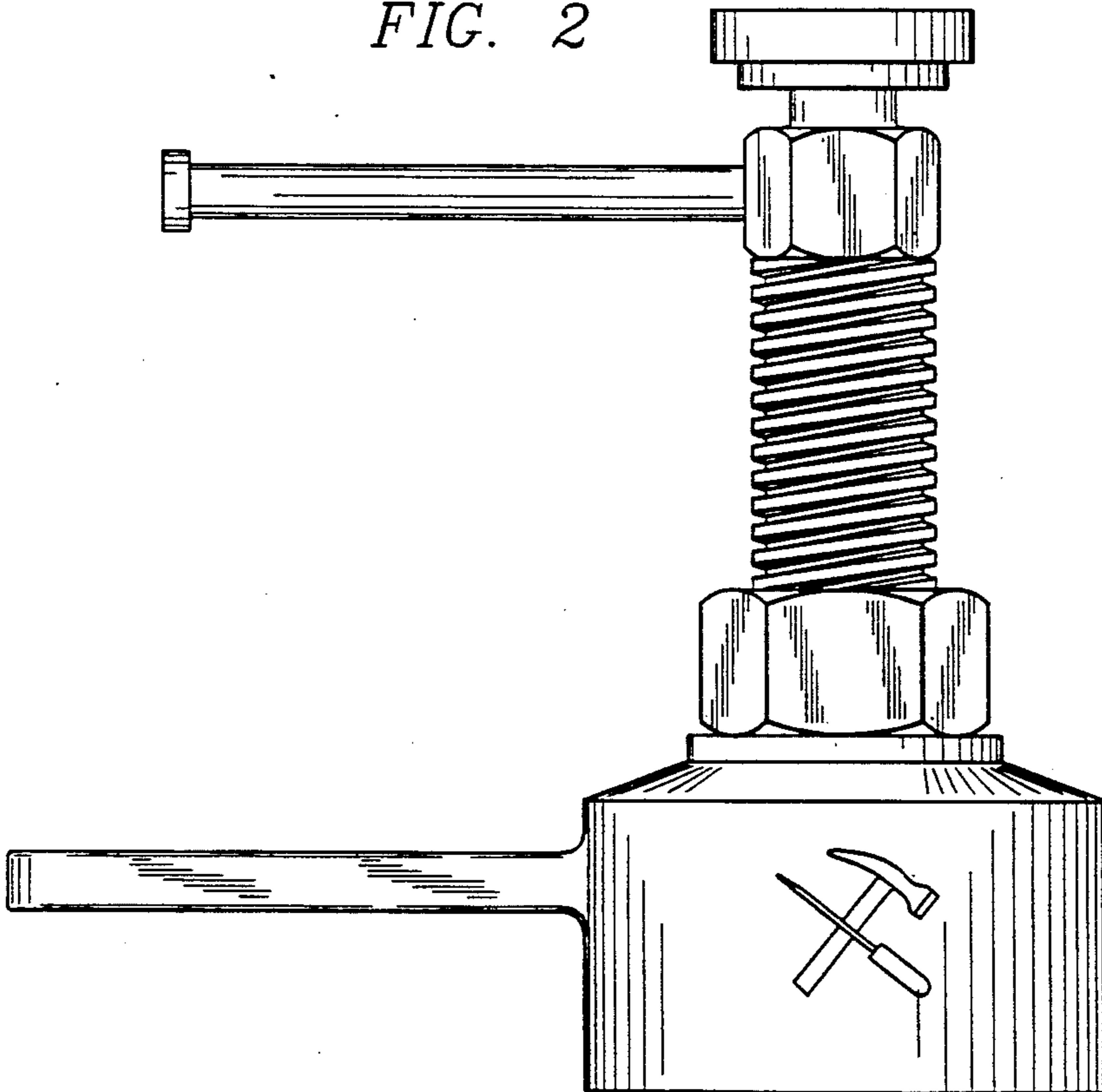


FIG. 3

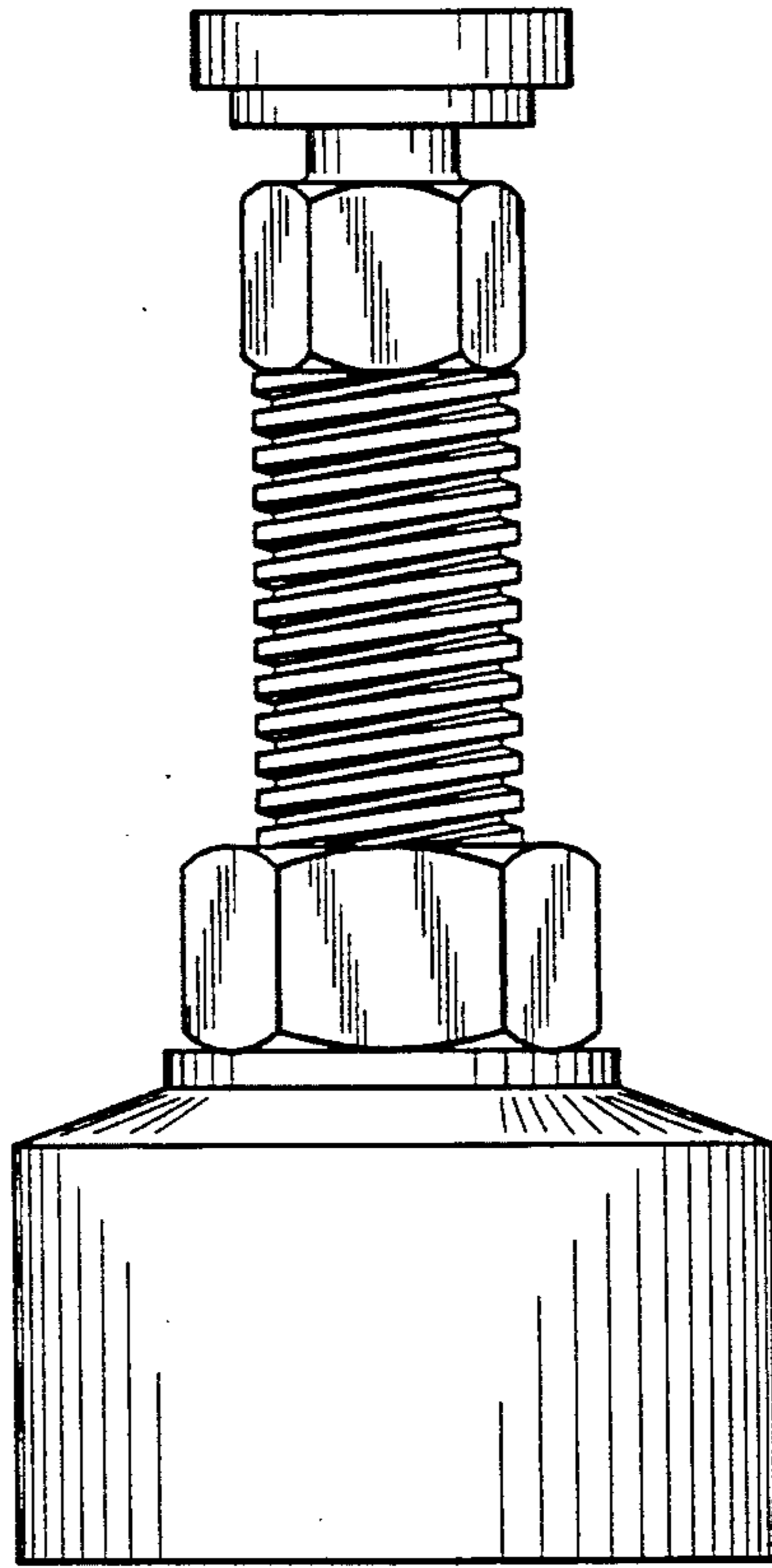


FIG. 4

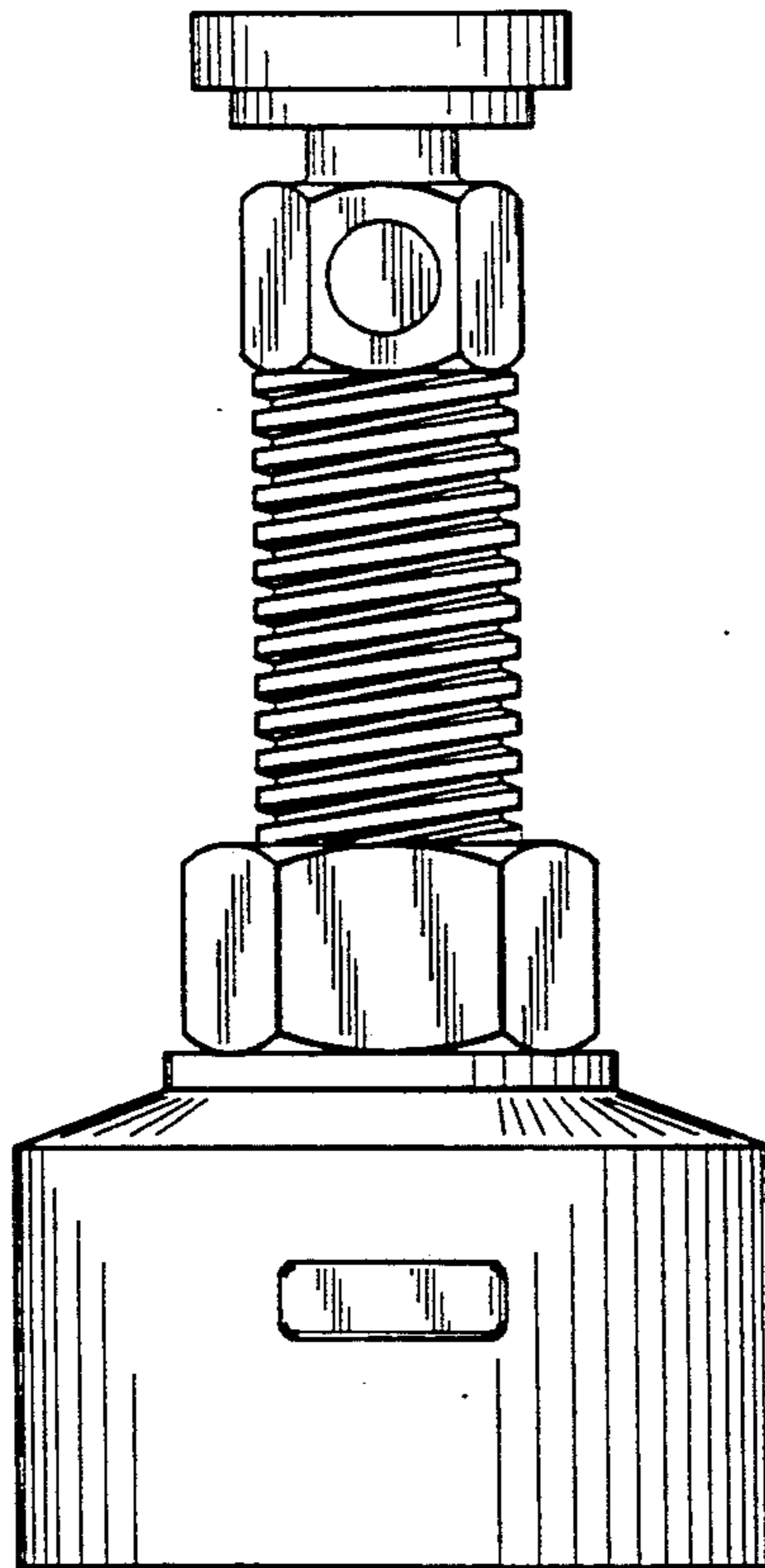


FIG. 5

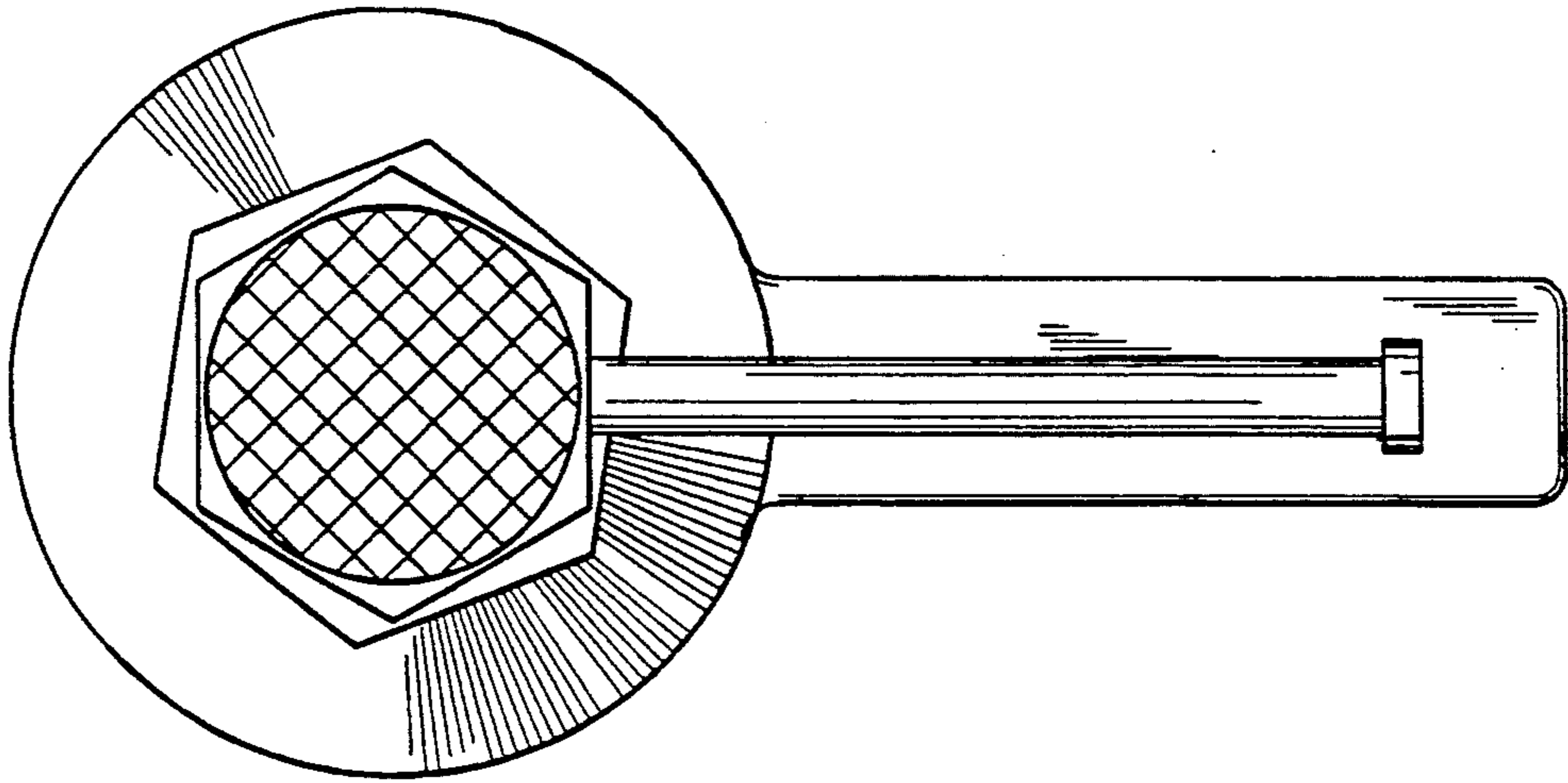


FIG. 6

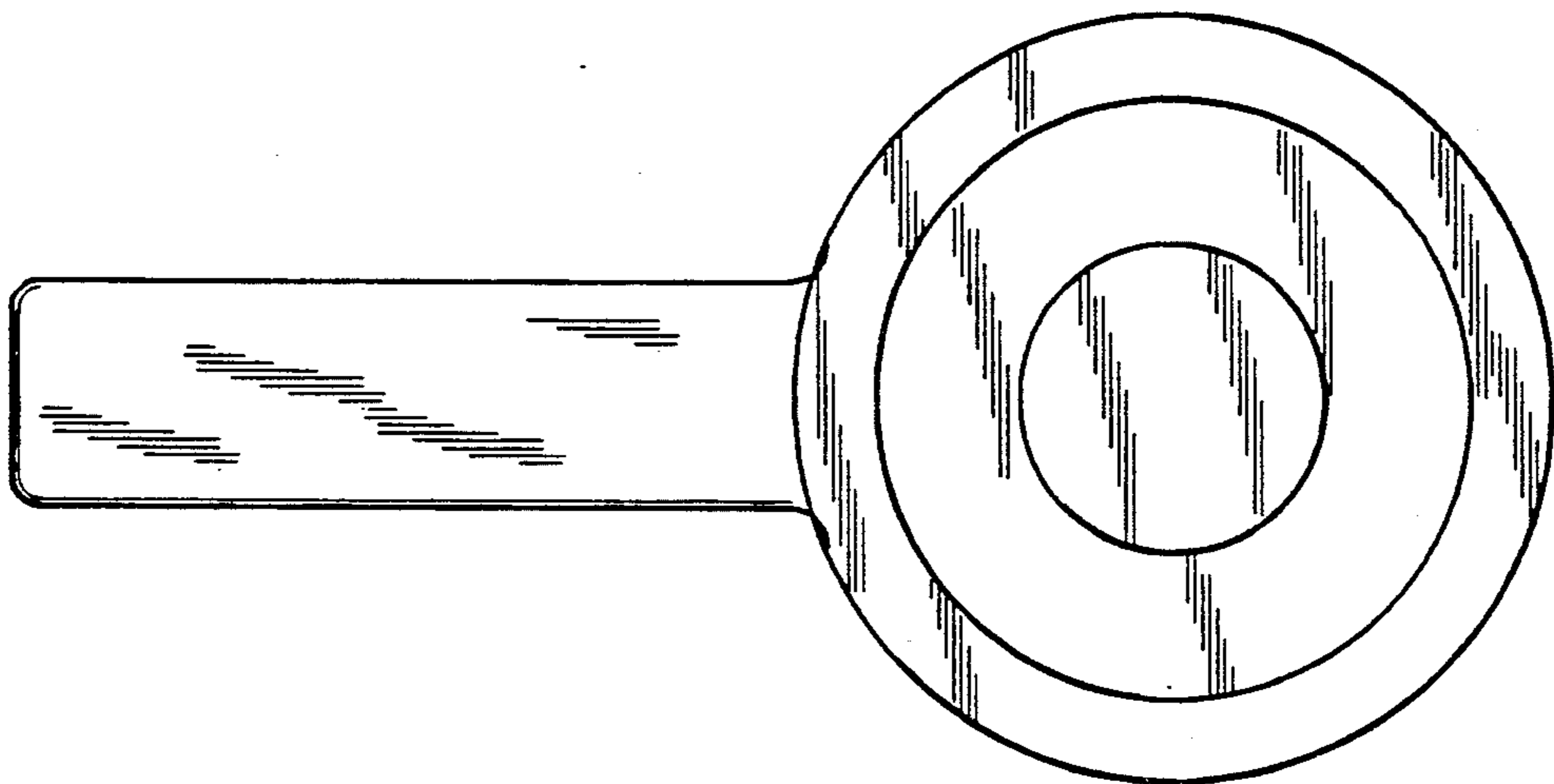


FIG. 7

