



US00D329112S

United States Patent [19]

Silbersky et al.

[11] Patent Number: **Des. 329,112**

[45] Date of Patent: **** Sep. 1, 1992**

[54] COLUMN FOR A LIFTING APPLIANCE

[75] Inventors: **Jonnie Silbersky, Malmo; Leif B. Sonesson, Eslov, both of Sweden**

[73] Assignee: **Arjo Hospital Equipment AB, Eslöv, Sweden**

[**] Term: **14 Years**

[21] Appl. No.: **508,413**

[22] Filed: **Apr. 13, 1990**

[30] Foreign Application Priority Data

Oct. 17, 1989 [SE] Sweden 89 2337

[52] U.S. Cl. **D34/28**

[58] Field of Search **D34/28; 5/81 R, 88, 5/89, 83, 86**

[56] References Cited

U.S. PATENT DOCUMENTS

4,399,572	8/1983	Johansson	5/83 X
4,680,819	7/1987	James	5/83 X
4,712,257	12/1987	James	5/89 X
4,837,874	6/1989	Giercarz et al.	5/86 X
4,918,771	4/1990	James	5/86 X

Primary Examiner—Wallace R. Burke

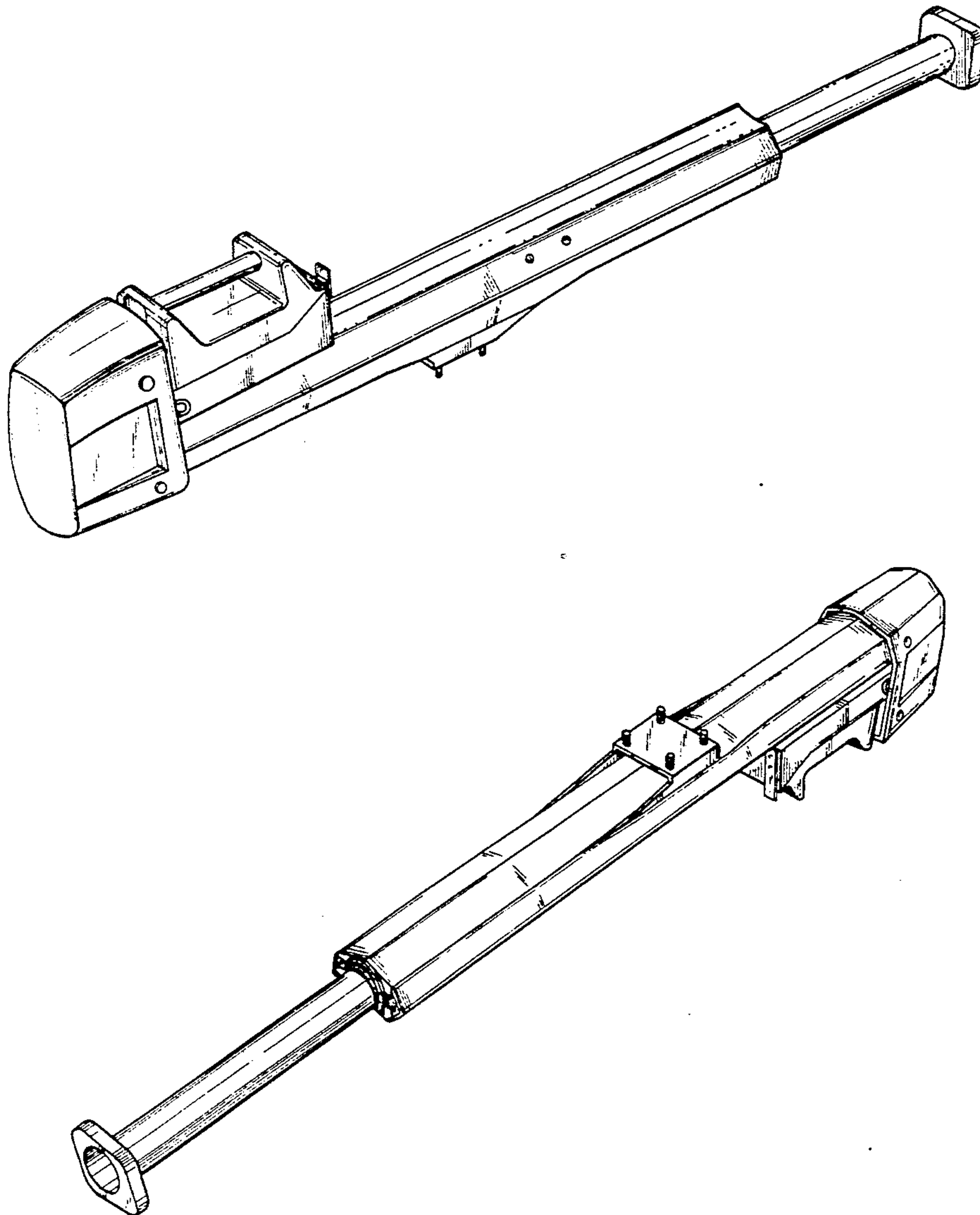
Assistant Examiner—H. Baynham

[57] CLAIM

The ornamental design for a column for a lifting appliance, as shown.

DESCRIPTION

FIG. 1 is a top perspective view of a column for a lifting appliance showing our new design; and, FIG. 2 is a bottom perspective view thereof.



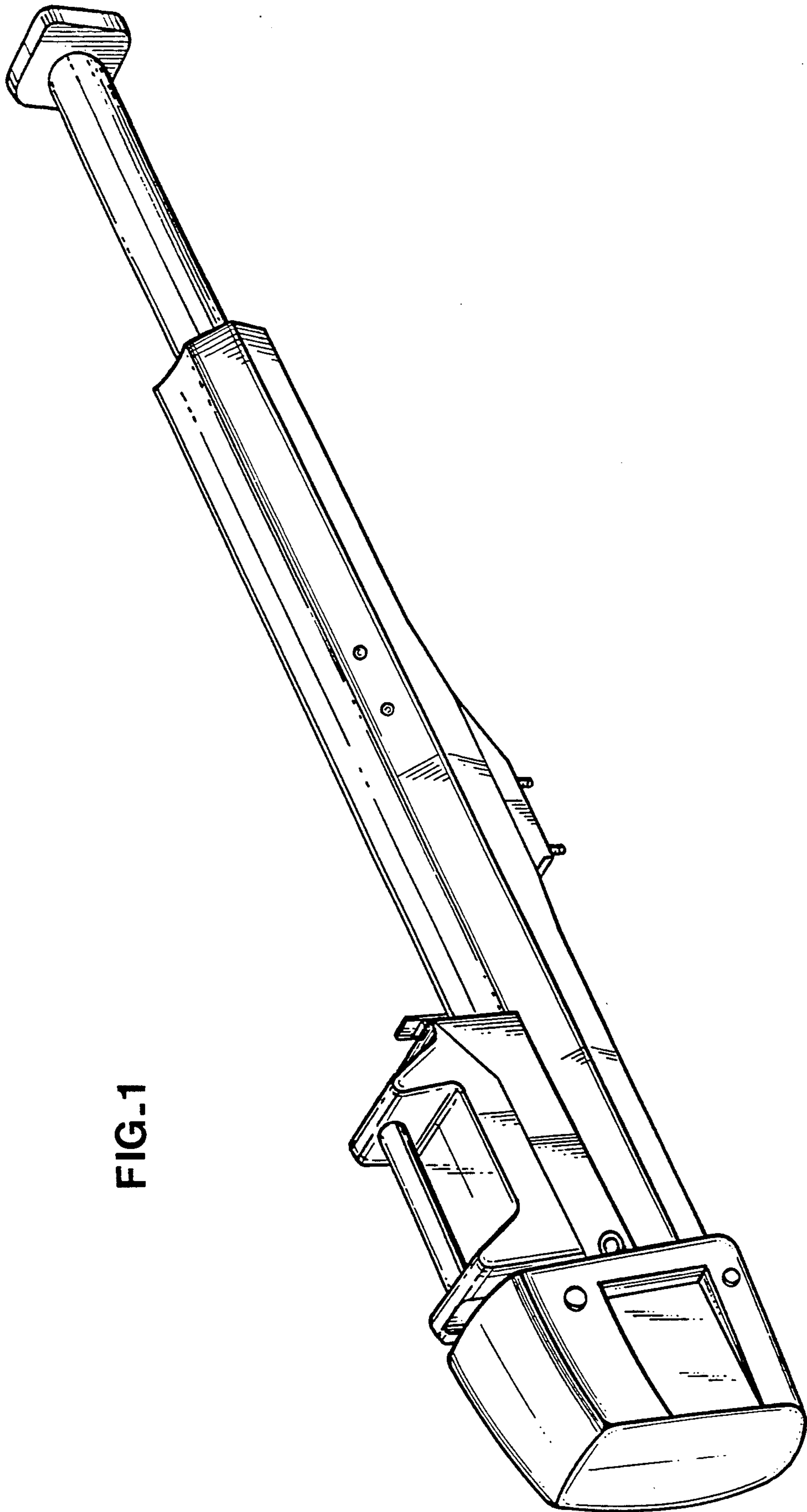


FIG. 1

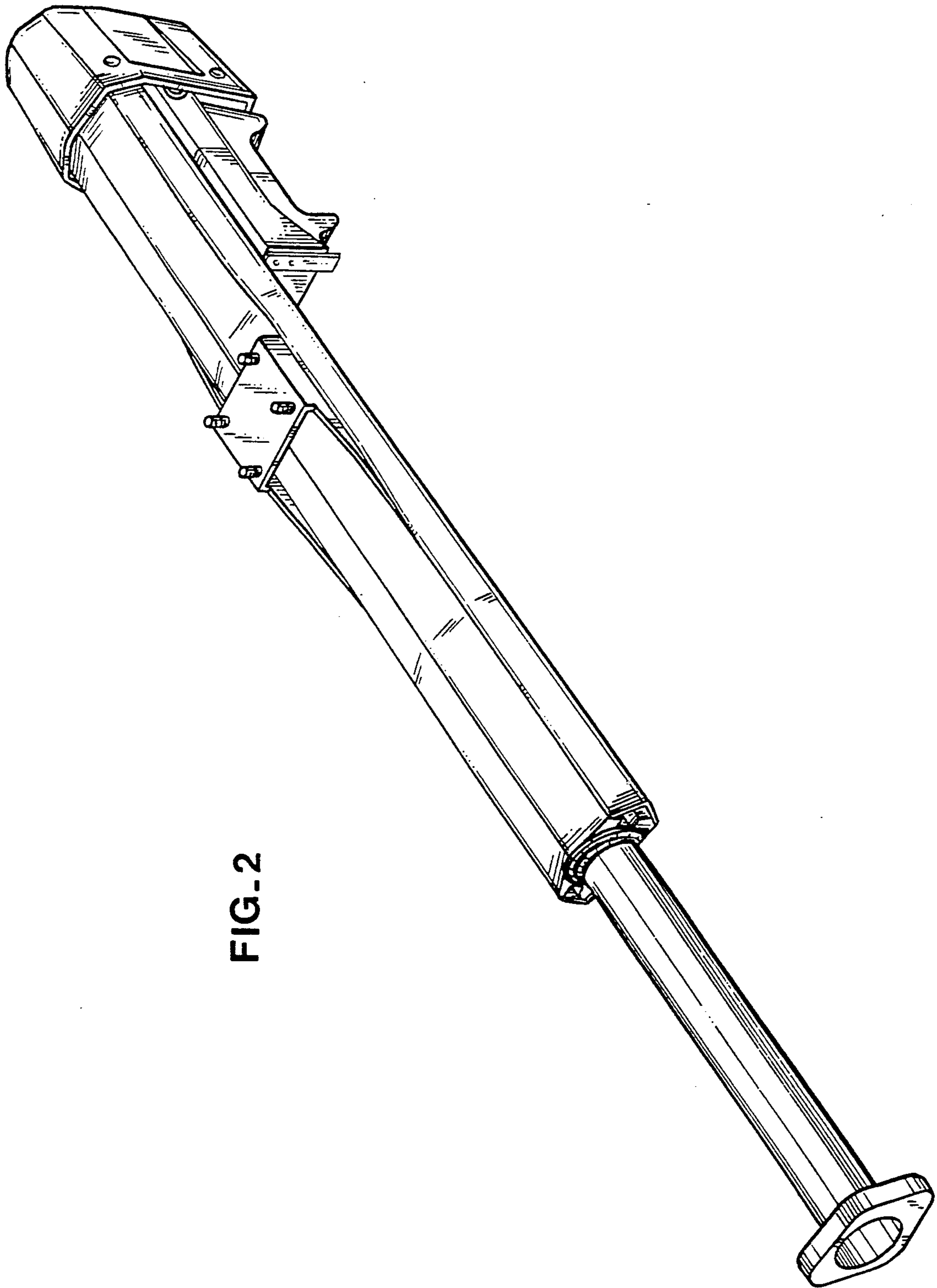


FIG.-2