



US00D329107S

United States Patent [19]
Hardy

[11] **Patent Number: Des. 329,107**

[45] **Date of Patent: ** Sep. 1, 1992**

[54] **SECTIONAL LIVESTOCK TANK**

[75] **Inventor: Robert E. Hardy, Harrisburg, S. Dak.**

[73] **Assignee: Sioux Steel Company, Soix Falls, S. Dak.**

[**] **Term: 14 Years**

[21] **Appl. No.: 507,891**

[22] **Filed: Apr. 12, 1990**

[52] **U.S. Cl. D30/131**

[58] **Field of Search 119/57.4, 61, 169; D30/121-122, 129-133, 161; 220/516, 23.6, 630, 23.83, 23.4, 575; 206/503, 551; D7/602, 629, 523, 529, 533-555**

[56] **References Cited**

U.S. PATENT DOCUMENTS

D. 192,412	3/1962	Forsman	D30/130
410,563	9/1889	Seward	119/61
1,470,763	10/1923	Richards	206/551
1,526,337	2/1925	Thornton	206/551
2,963,003	12/1960	Oberg et al.	D30/161
3,385,465	5/1968	Bliss	220/23.83
3,398,827	8/1968	Laskin	220/23.83
3,708,086	1/1973	Colato	220/575
4,483,455	11/1984	Prophit, Jr. et al.	220/23.83
4,708,256	11/1987	Intardonato	220/575
4,836,141	6/1989	Whitfield	119/169

FOREIGN PATENT DOCUMENTS

690873	7/1964	Canada	119/61
449823	9/1927	Fed. Rep. of Germany	119/61
1457578	9/1966	France	206/551
695990	8/1953	United Kingdom	119/61

Primary Examiner—James R. Largen
Assistant Examiner—Cathy Anne MacCormac

Attorney, Agent, or Firm—McAndrews, Held & Malloy, Ltd.

[57] **CLAIM**

The ornamental design for the sectional livestock tank, as shown and described.

DESCRIPTION

FIG. 1 is a top perspective view of a sectional livestock tank showing my new design;

FIG. 2 is an outside elevational view thereof, all sides being identical;

FIG. 3 is a top plan view thereof;

FIG. 4 is a bottom plan view thereof;

FIG. 5 is a top perspective view thereof showing three sections of FIG. 1;

FIG. 6 is an elevational view of FIG. 5 taken from the opening and showing the sides of two of the sections;

FIG. 7 is an outside elevational view of FIG. 5 taken from the opposite side of FIG. 6;

FIG. 8 is a top plan view of FIG. 5;

FIG. 9 is a bottom plan view of FIG. 5;

FIG. 10 is a top perspective view showing two sections of FIG. 1;

FIG. 11 is an enlarged outside elevational view of FIG. 10;

FIG. 12 is an enlarged elevational view of FIG. 10 showing the opposite side of FIG. 11;

FIG. 13 is an enlarged top plan view of FIG. 10;

FIG. 14 is an enlarged bottom plan view of FIG. 10;

FIG. 15 is a top perspective view showing one section of FIG. 1;

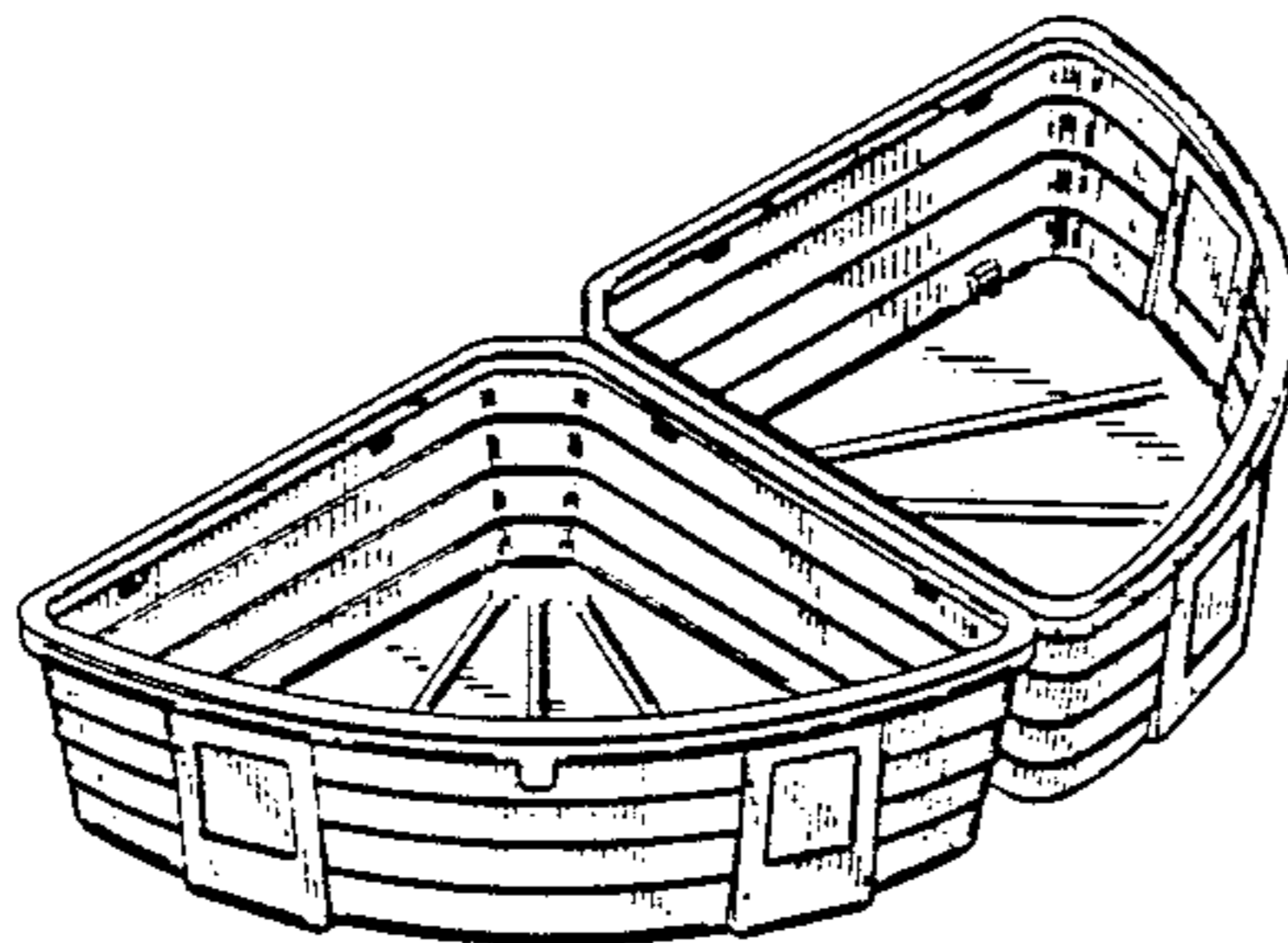
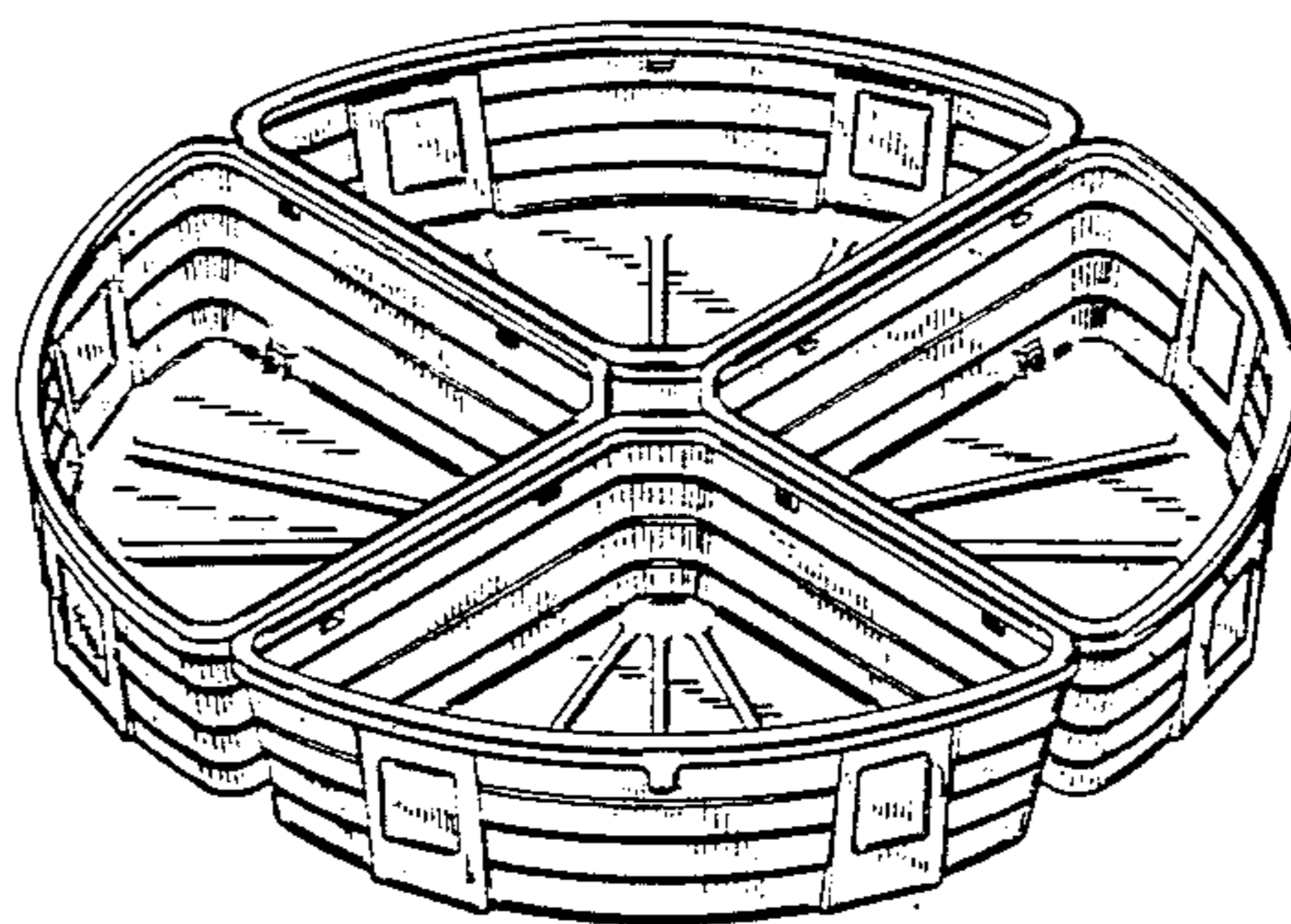
FIG. 16 is an outside elevational view of FIG. 15;

FIG. 17 is an outside elevational view of FIG. 15 showing the opposite side of FIG. 16;

FIG. 18 is another side elevational view of FIG. 15, the opposite side being a mirror image of the side shown;

FIG. 19 is a top plan view of FIG. 15; and,

FIG. 20 is a bottom plan of FIG. 15.



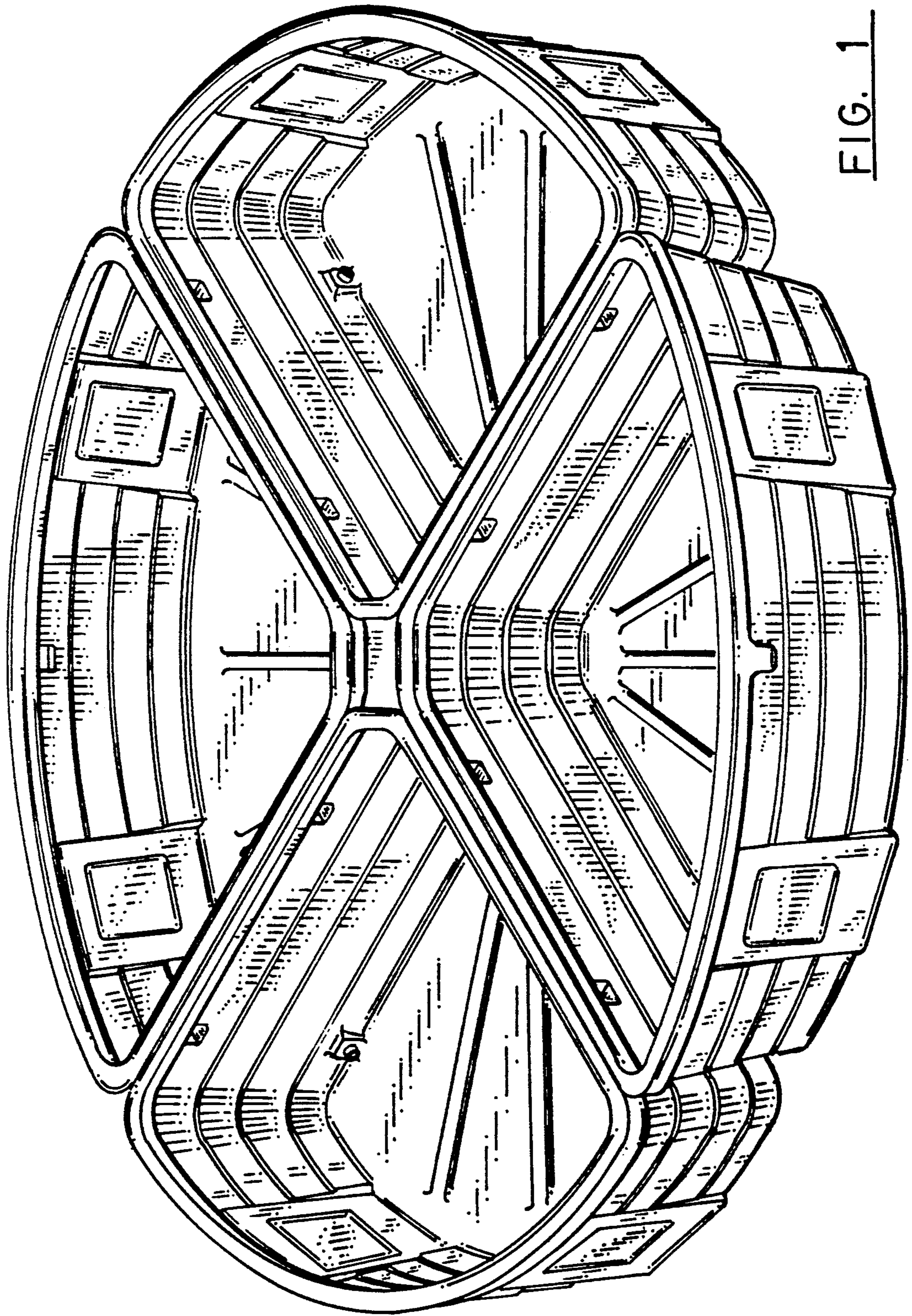


FIG. 1

FIG. 3

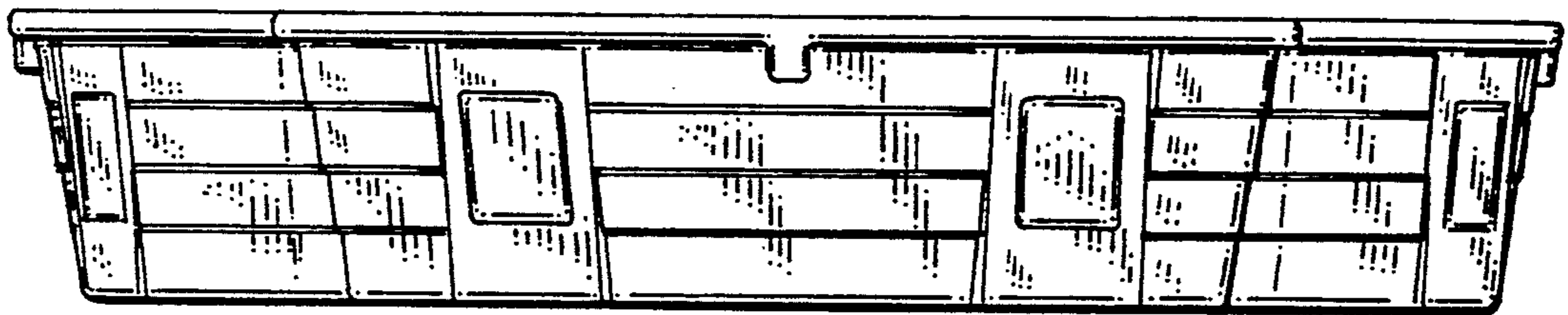
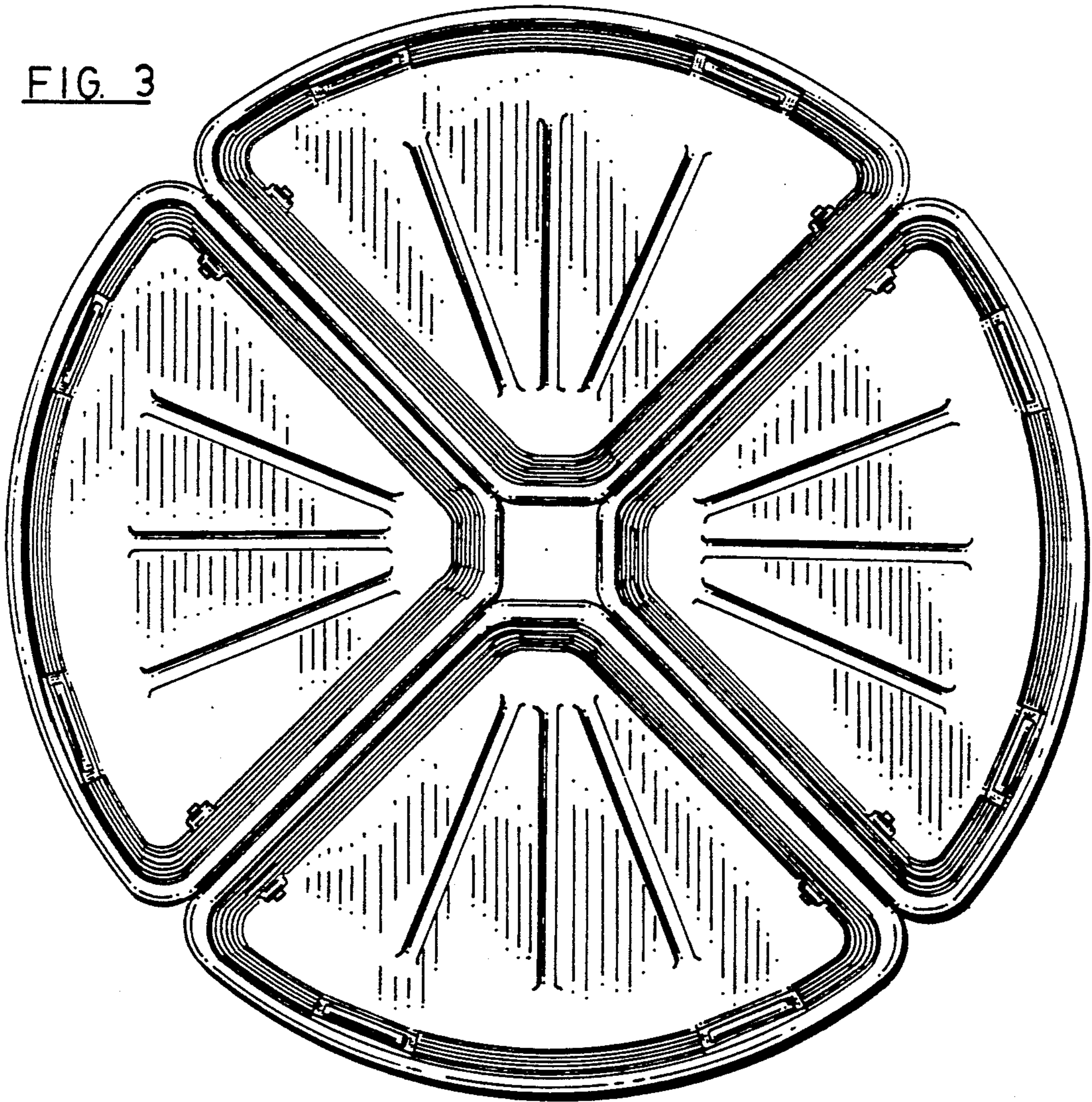


FIG. 2

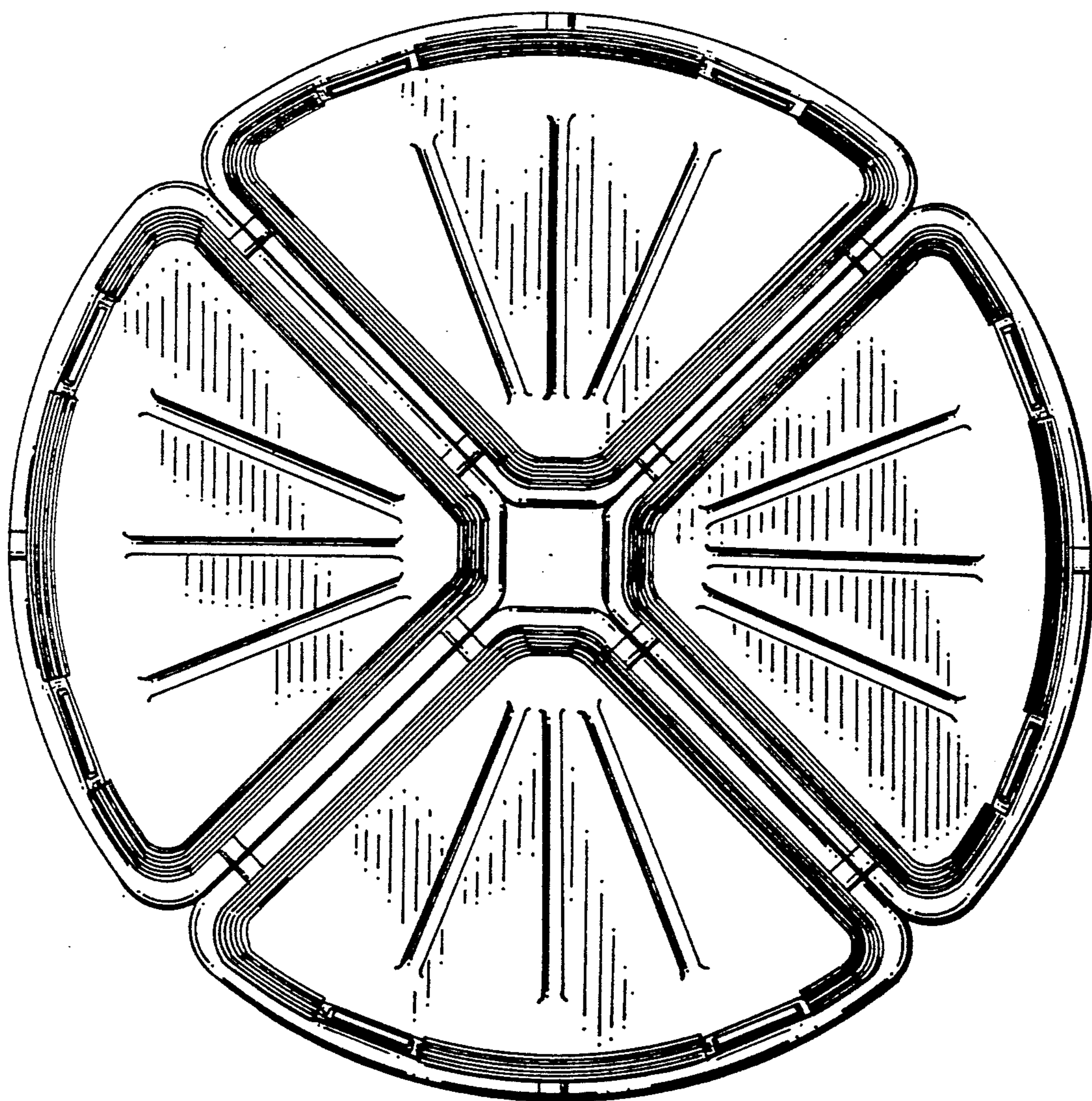


FIG. 4

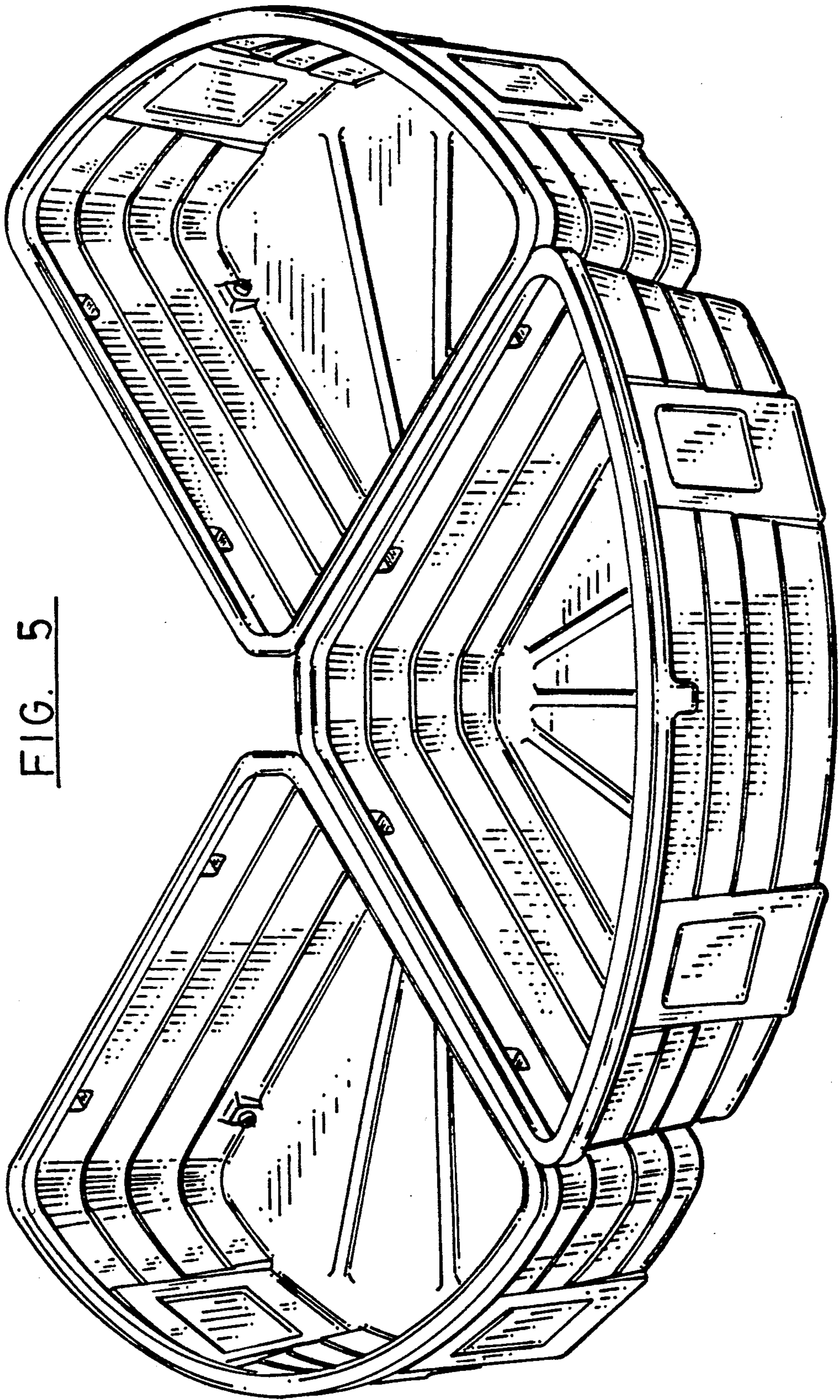


FIG. 5

FIG. 8

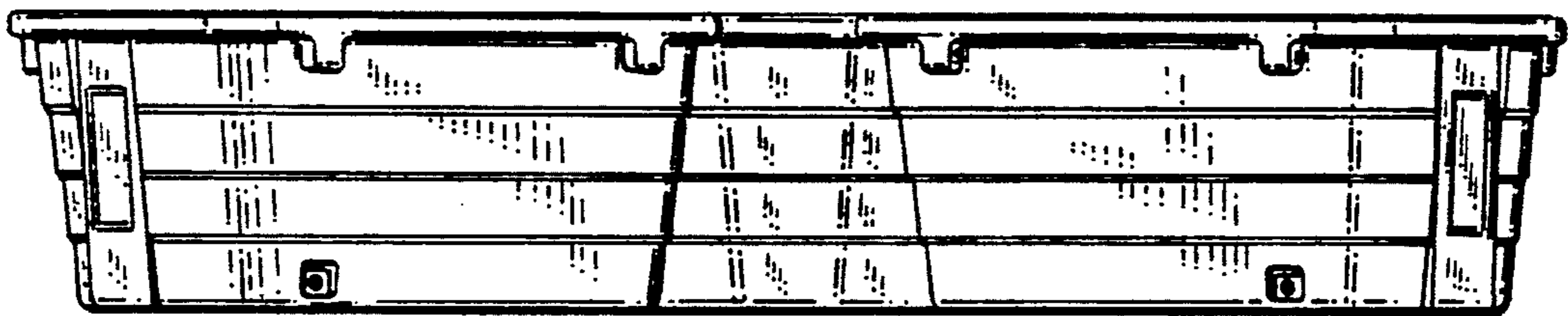
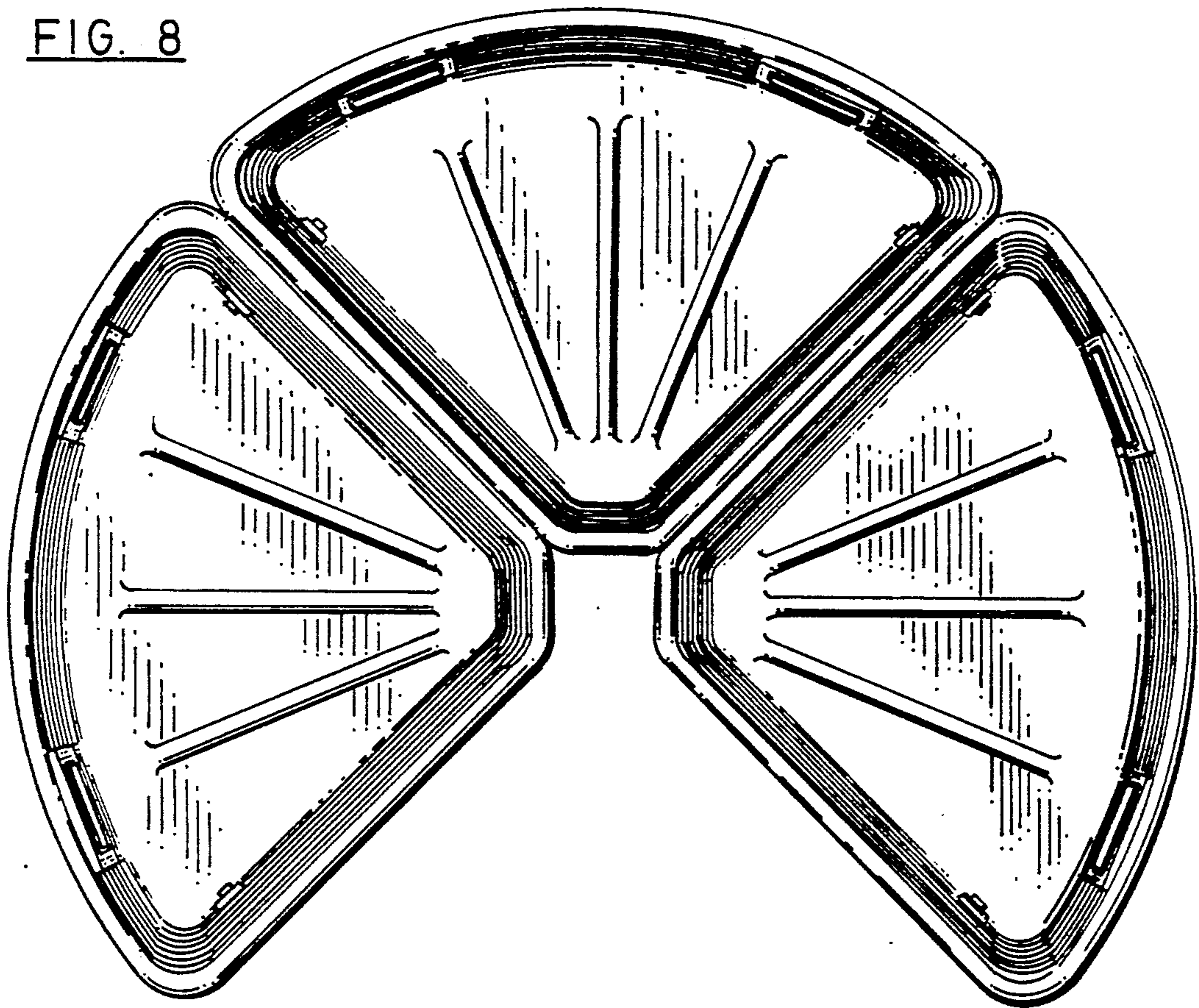


FIG. 6

FIG. 9

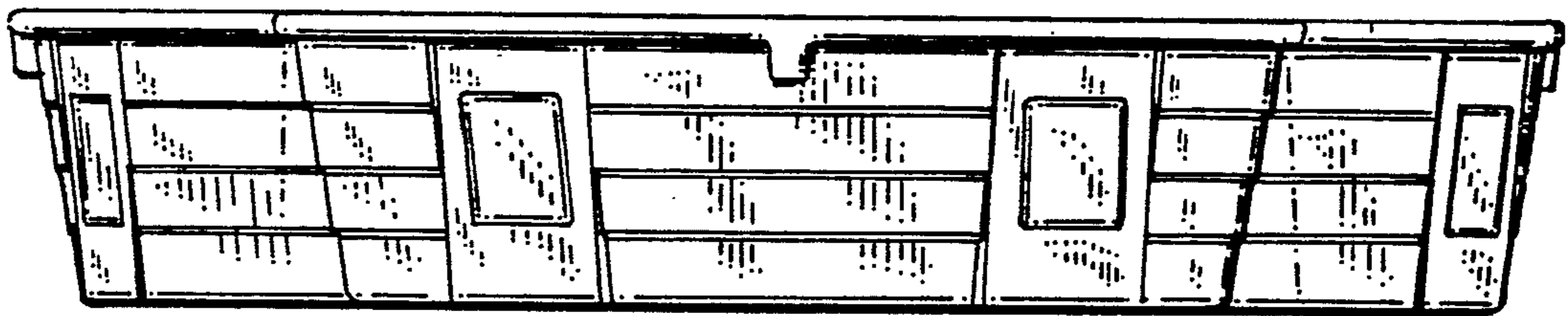
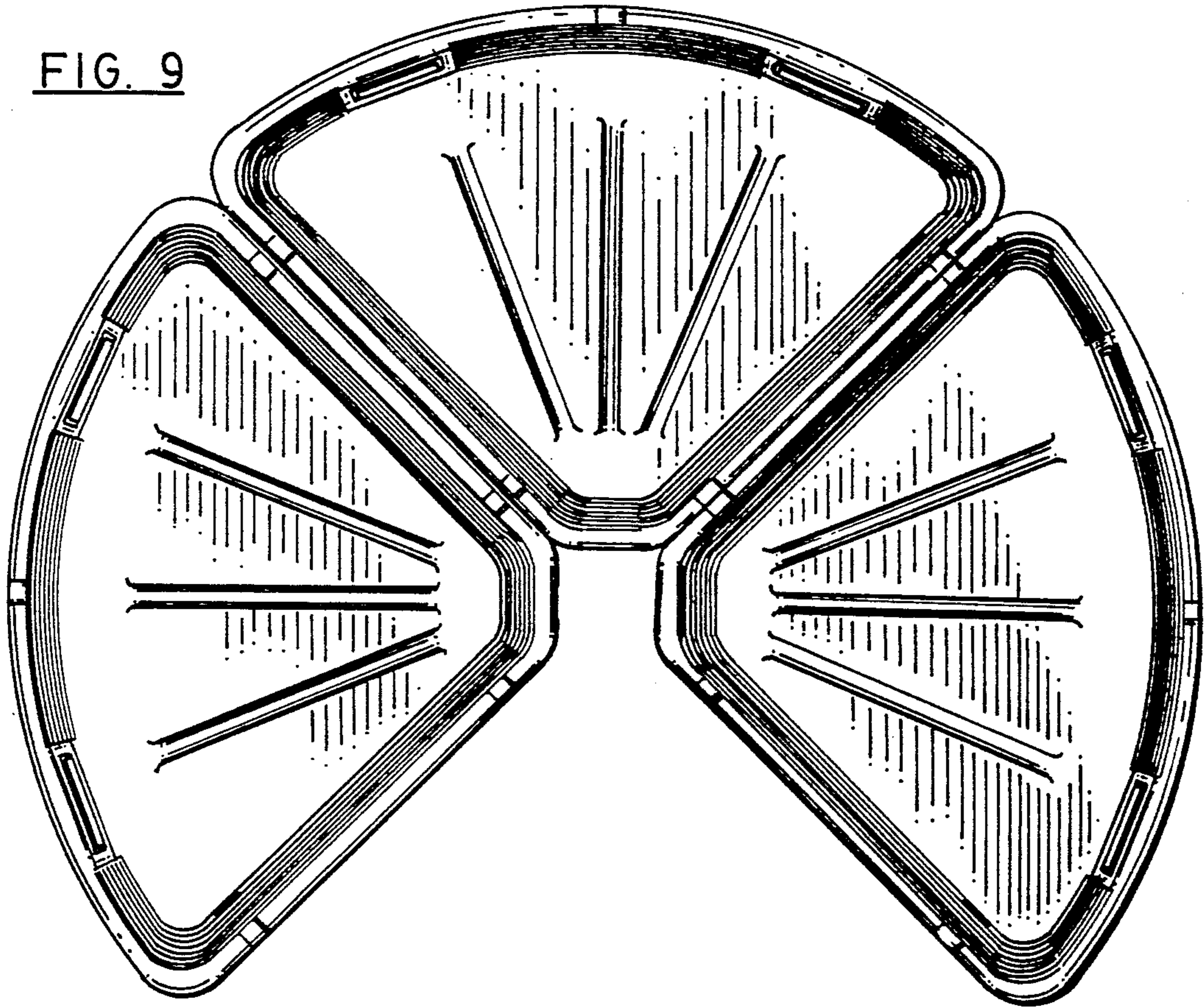
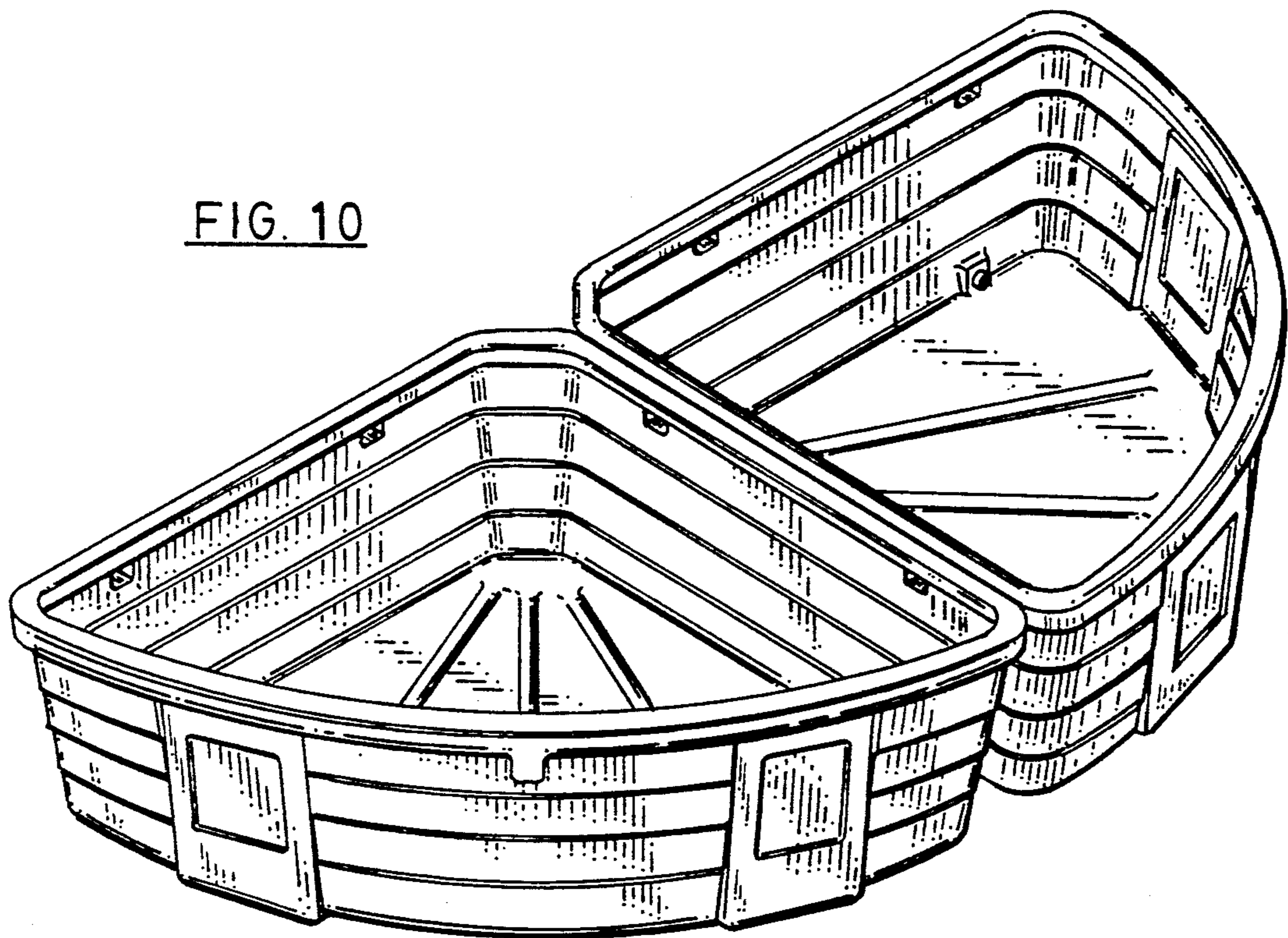


FIG. 7

FIG. 10



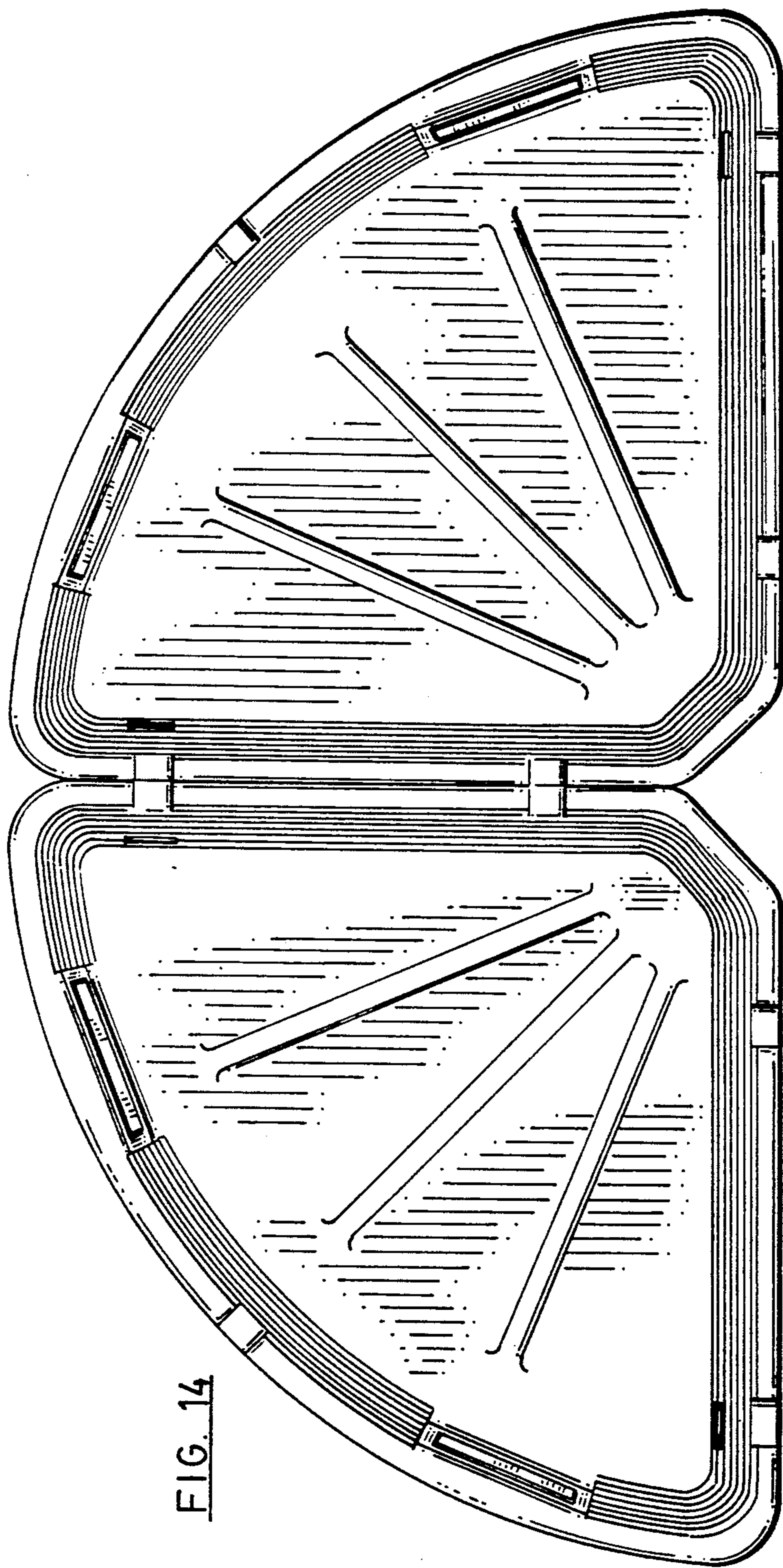


FIG. 14

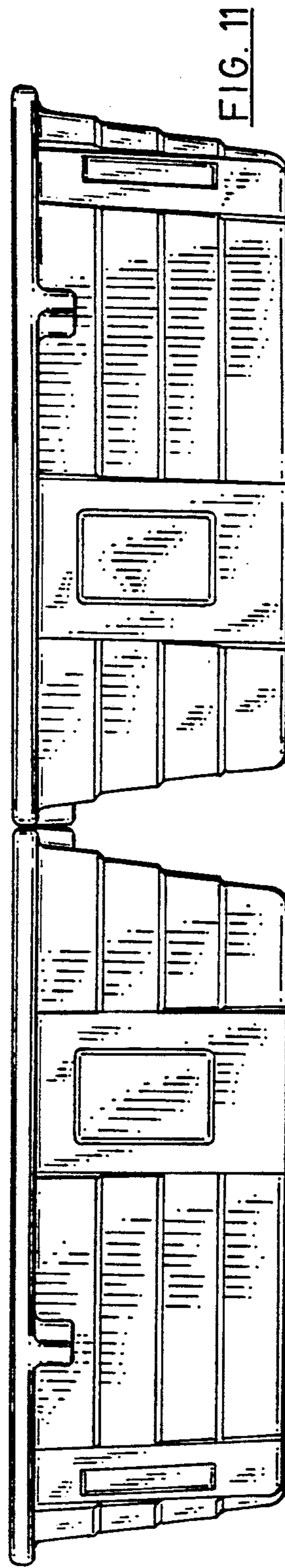


FIG. 11

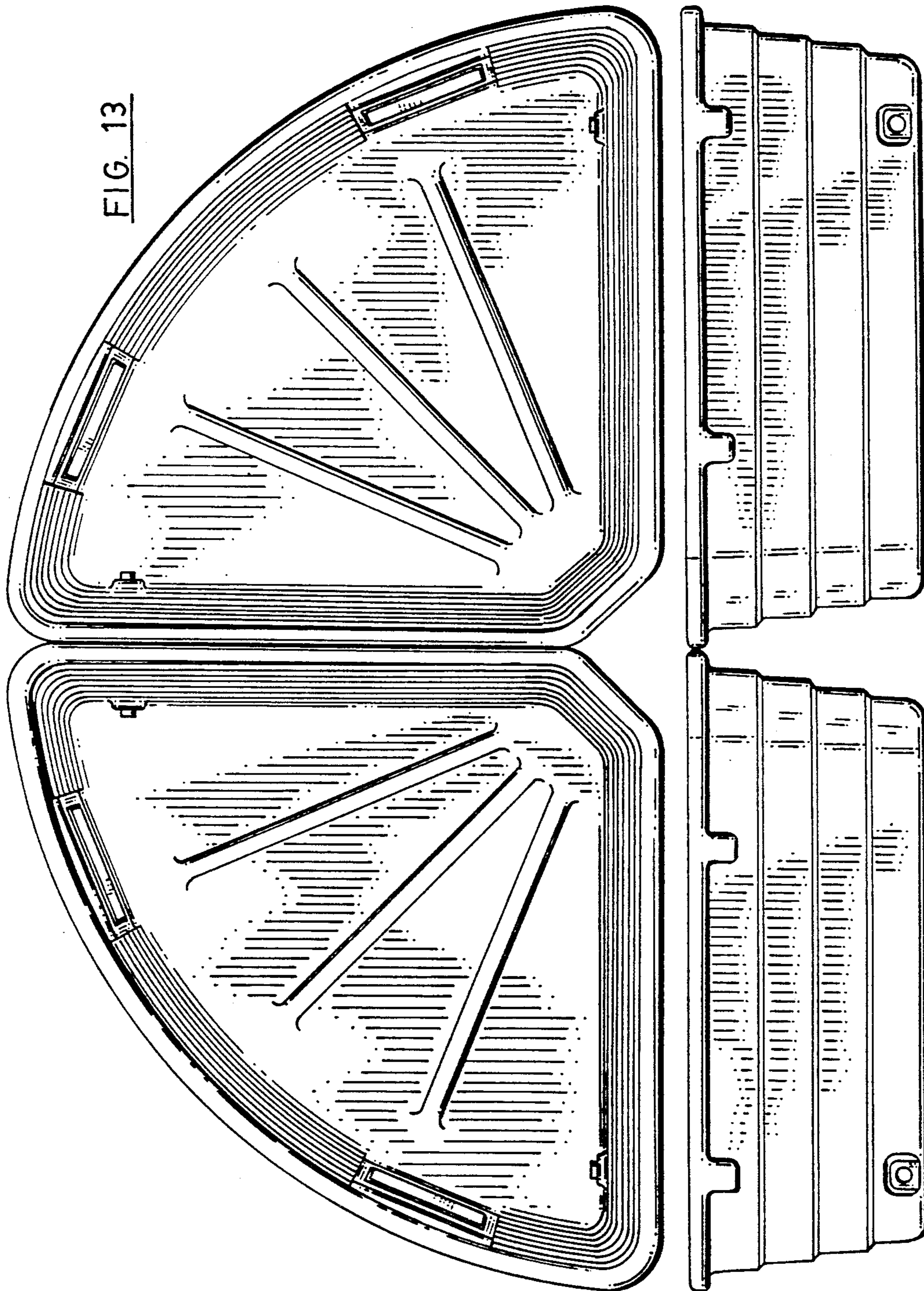


FIG. 13

FIG. 12

FIG. 15

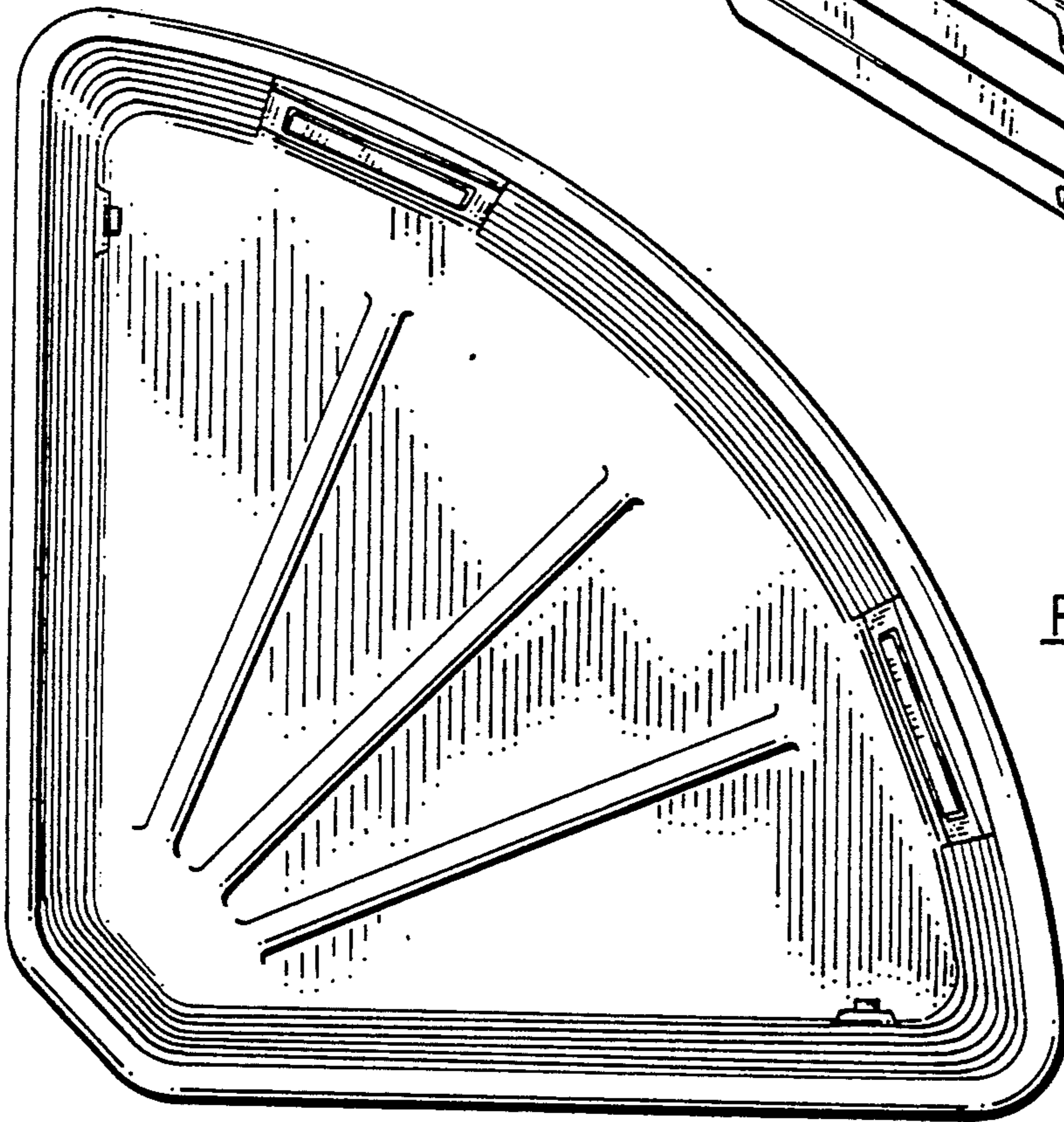
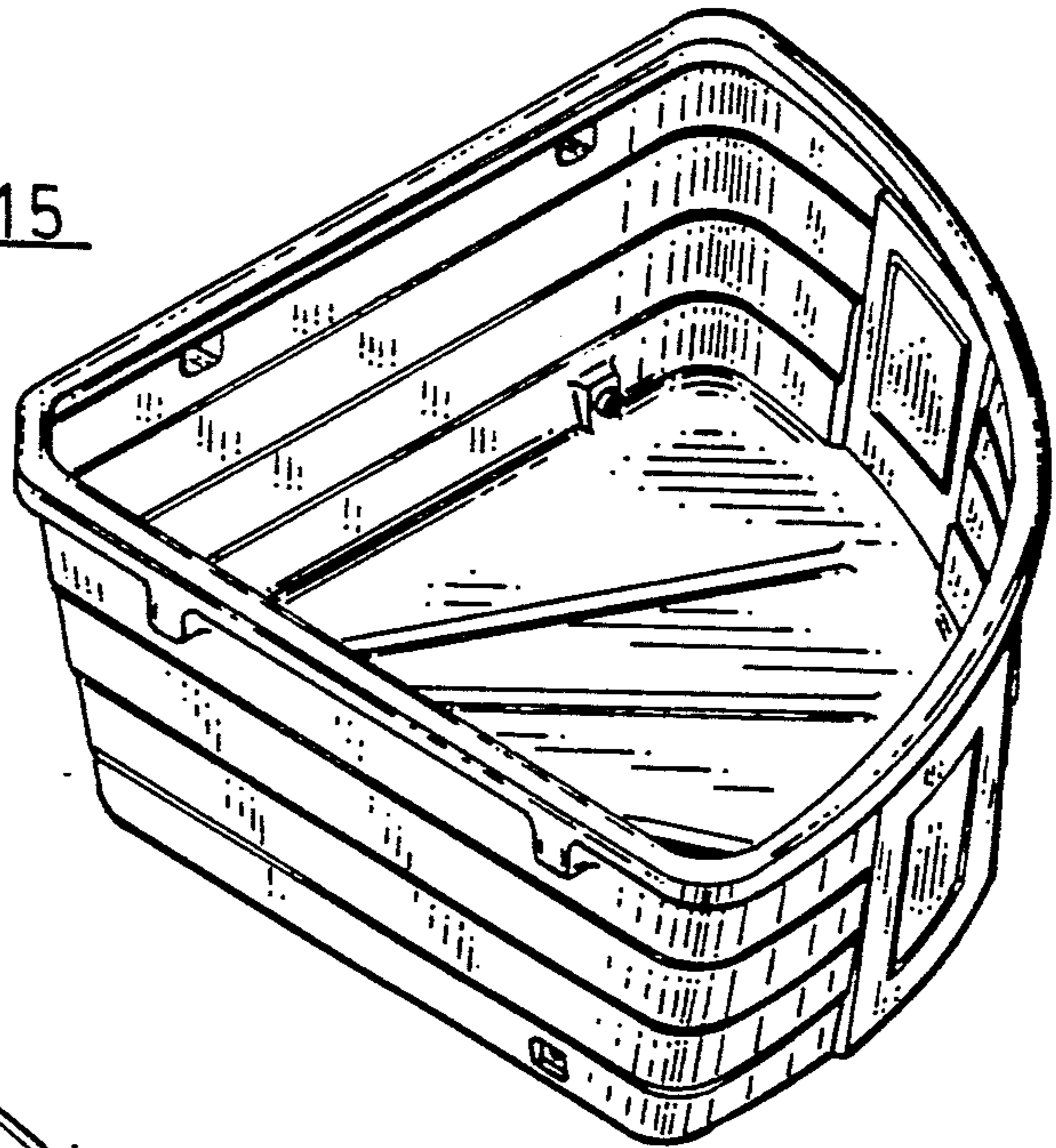


FIG. 19

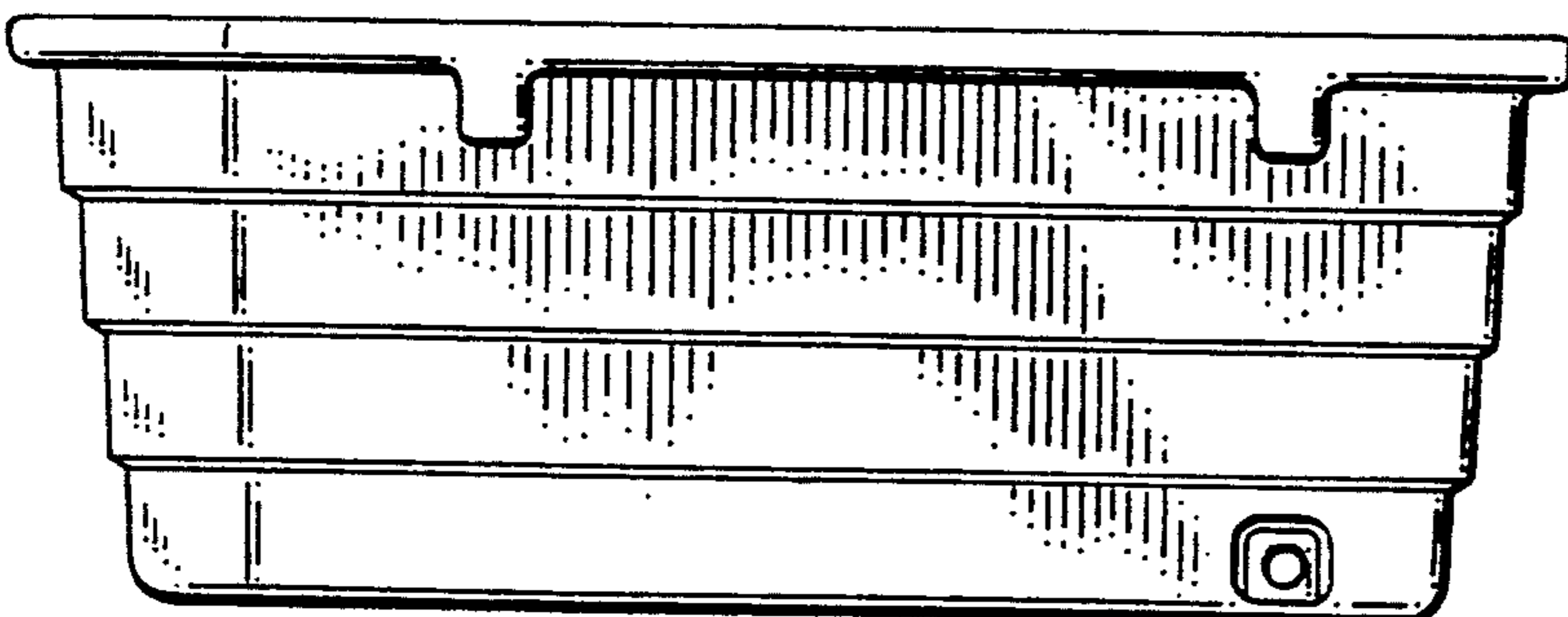


FIG. 18

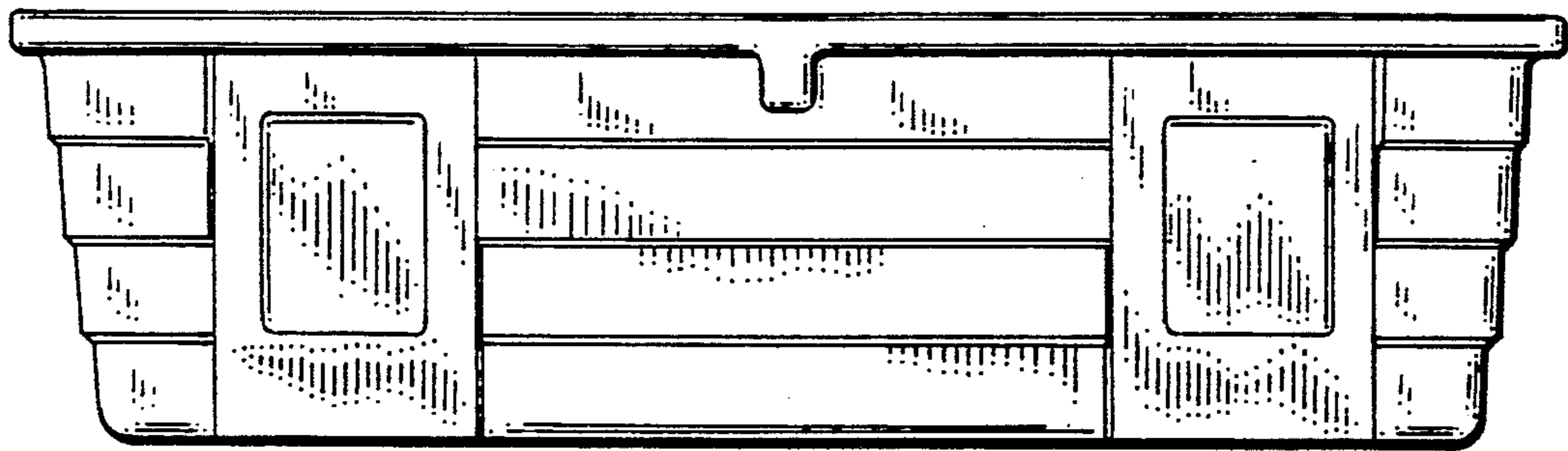


FIG. 16

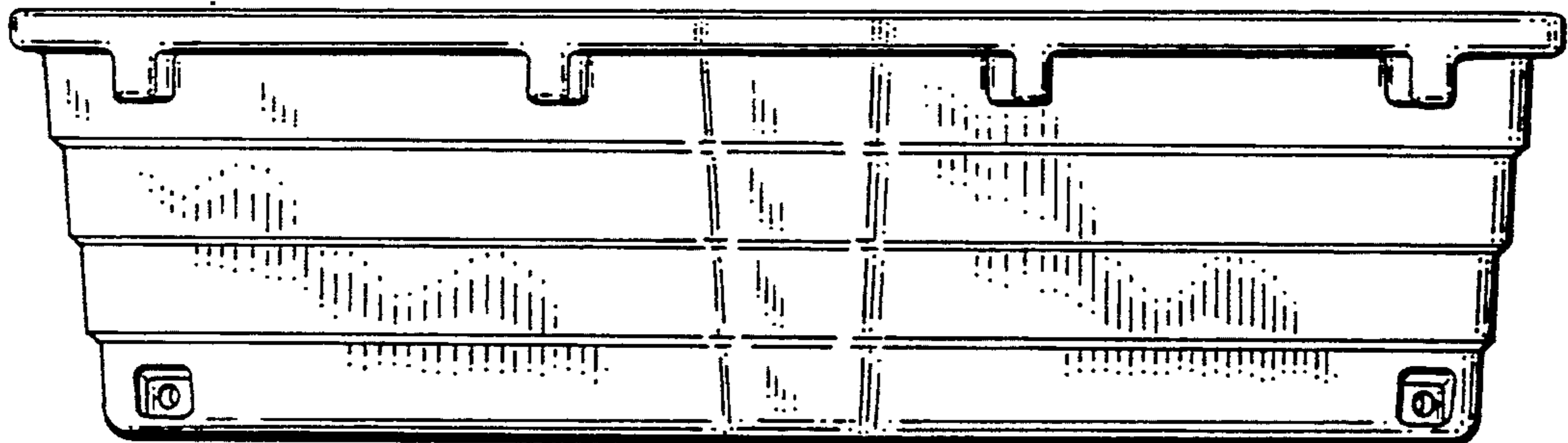


FIG. 17

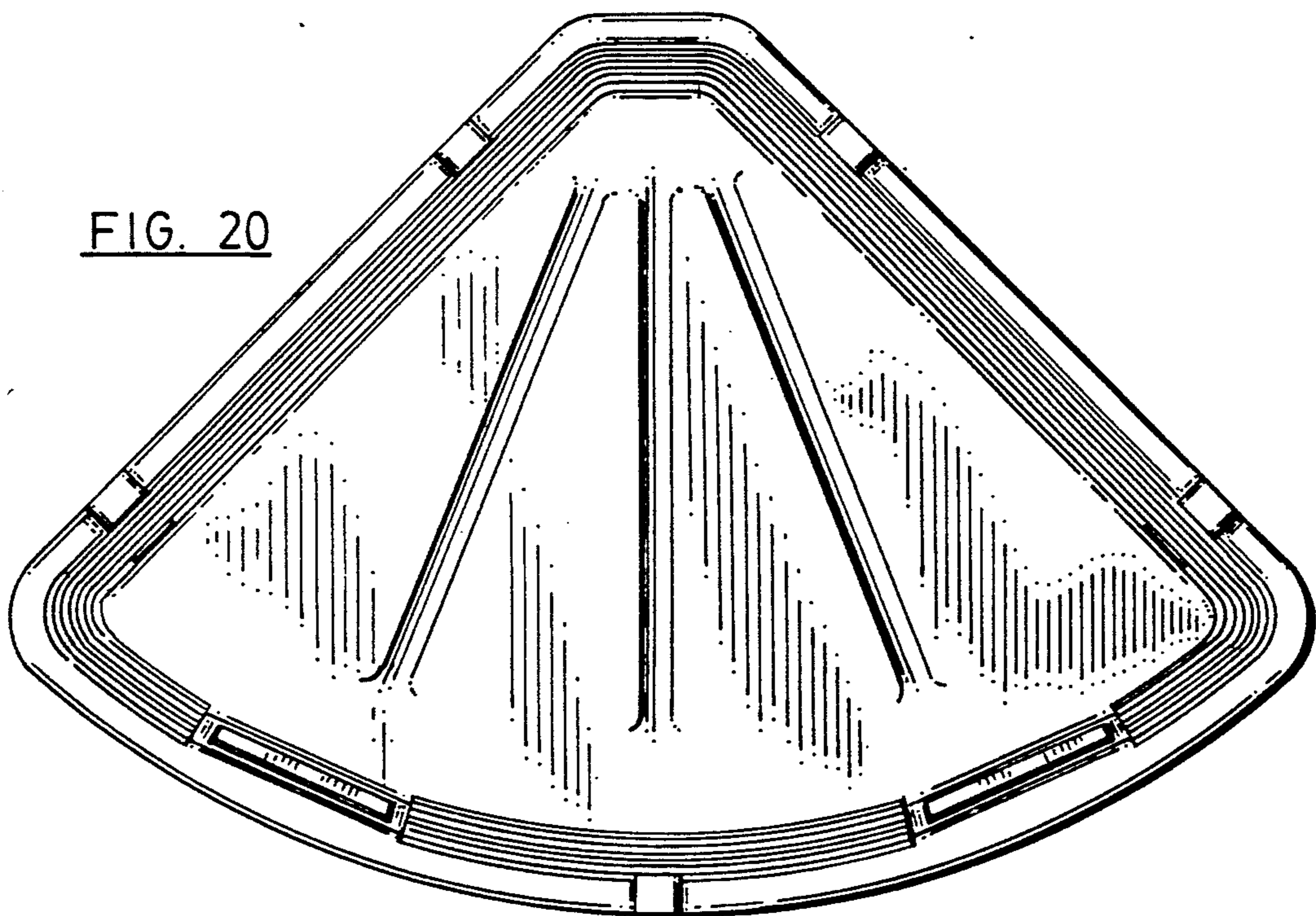


FIG. 20