



US00D329106S

# United States Patent [19]

[11] Patent Number: **Des. 329,106**

**Benavides**

[45] Date of Patent: **\*\* Sep. 1, 1992**

[54] **BOX FOR WASHING DOGS**

[76] Inventor: **David Benavides**, 577 E. Hillsdale St.,  
Inglewood, Calif. 90302

[\*\*] Term: **14 Years**

[21] Appl. No.: **584,854**

[22] Filed: **Sep. 19, 1990**

[52] U.S. Cl. .... **D30/108**

[58] Field of Search ..... **D23/213, 223-229,  
D23/; 4/191-192, 567-570, 599-603, 596, 615;  
119/15, 19, 22, 23, 158, 159, 160; D30/108-109,  
158**

4,184,454 1/1980 Nagao ..... 119/160  
4,407,234 10/1983 Kleman ..... 119/158  
4,930,453 6/1990 Laliberte ..... 119/158

*Primary Examiner*—Susan J. Lucas  
*Assistant Examiner*—M. H. Tung  
*Attorney, Agent, or Firm*—Leon Gilden

### [57] CLAIM

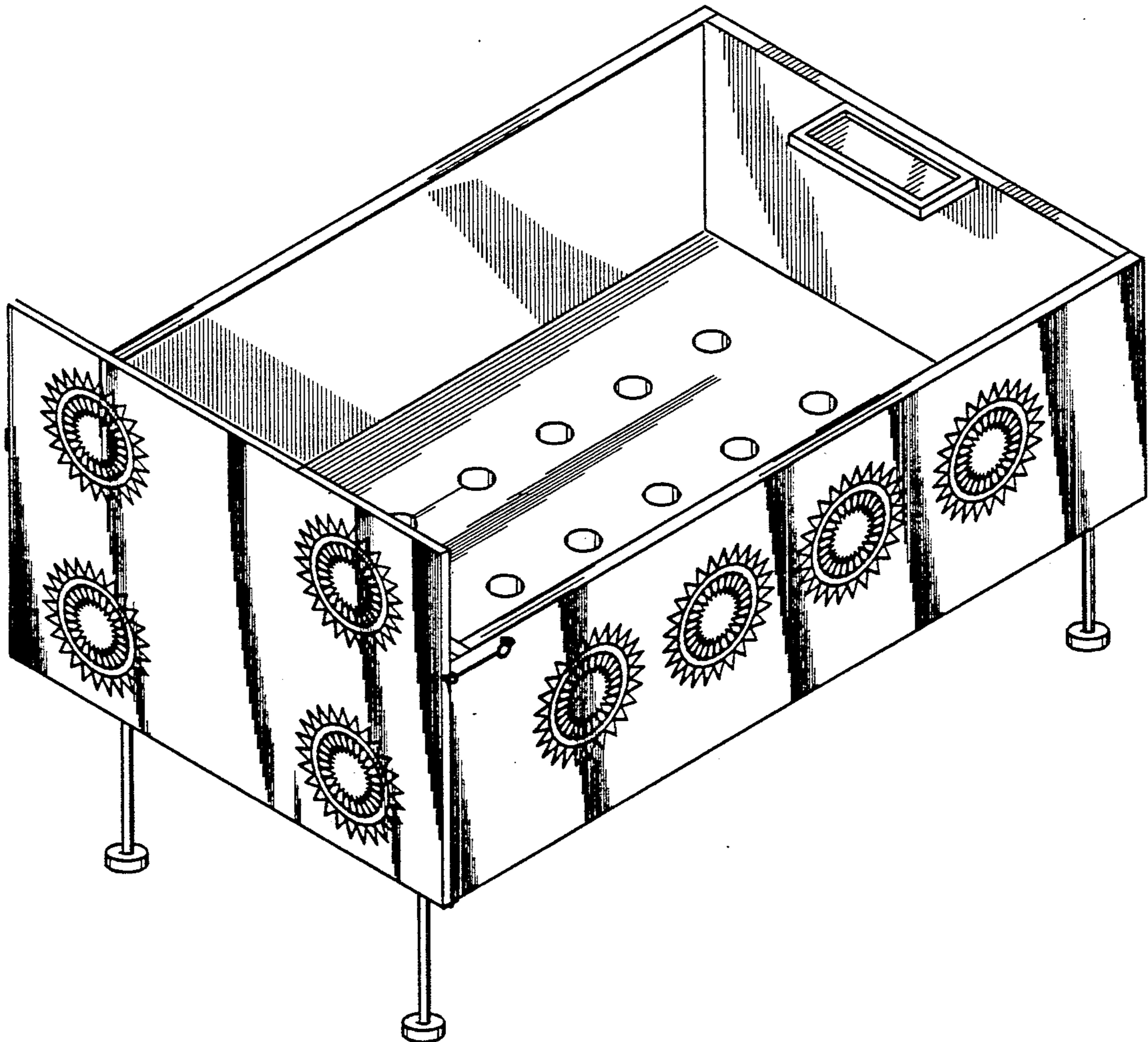
The ornamental design for a box for washing dogs, as shown and described.

### DESCRIPTION

FIG. 1 is a front elevational view of the box for washing dogs showing my new design;  
FIG. 2 is a rear elevational view thereof;  
FIG. 3 is a left side elevational view thereof;  
FIG. 4 is a right side elevational view thereof;  
FIG. 5 is a top plan view thereof;  
FIG. 6 is a bottom plan view thereof, and,  
FIG. 7 is a top perspective view thereof.

[56] **References Cited**  
**U.S. PATENT DOCUMENTS**

D. 199,895	12/1964	Morris	.....	D30/108
2,536,943	1/1951	Kessel	.....	119/160 X
2,678,628	5/1954	Williams	.....	119/19
4,056,078	11/1977	Blafford et al.	.....	119/19 X



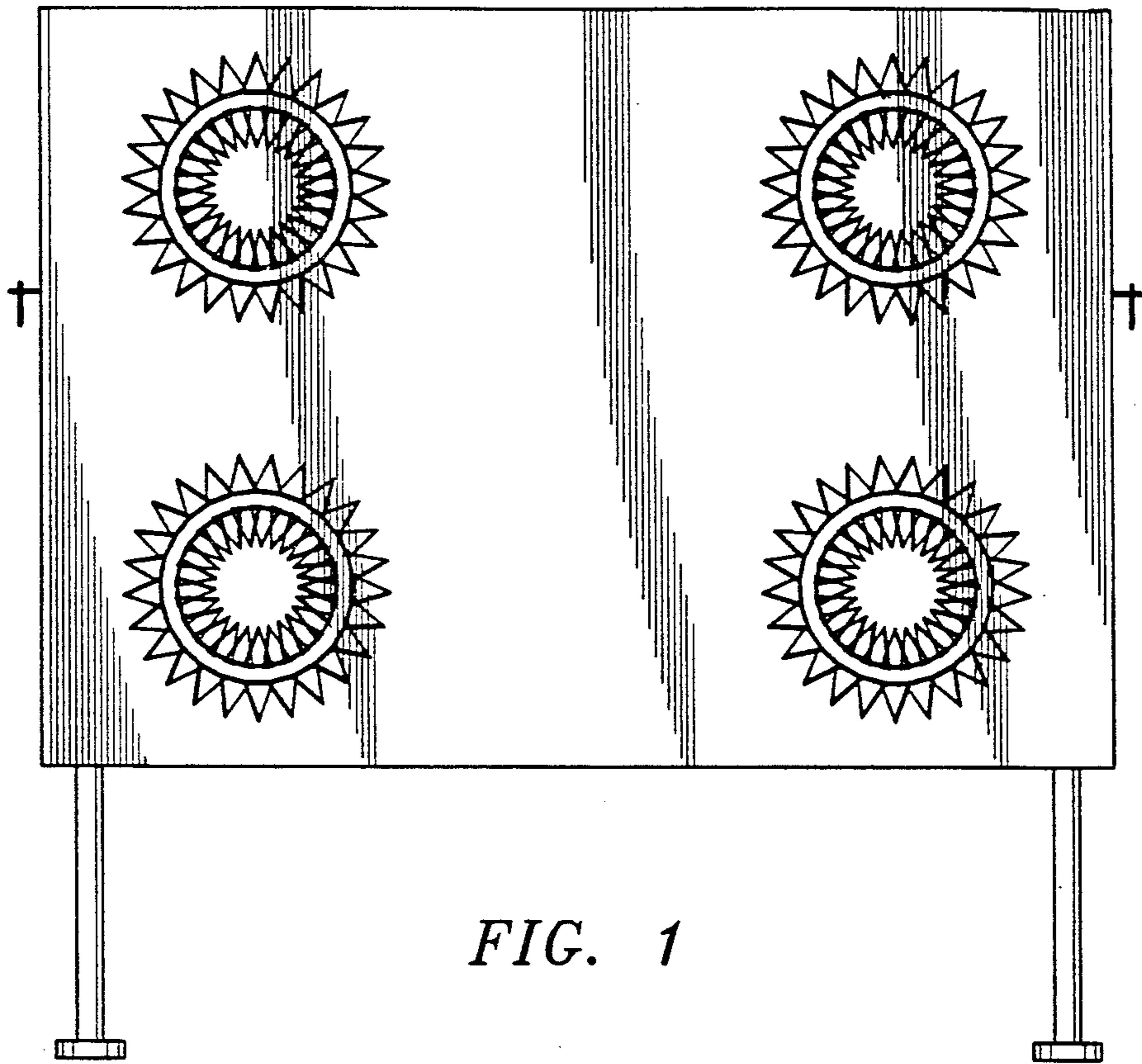


FIG. 1

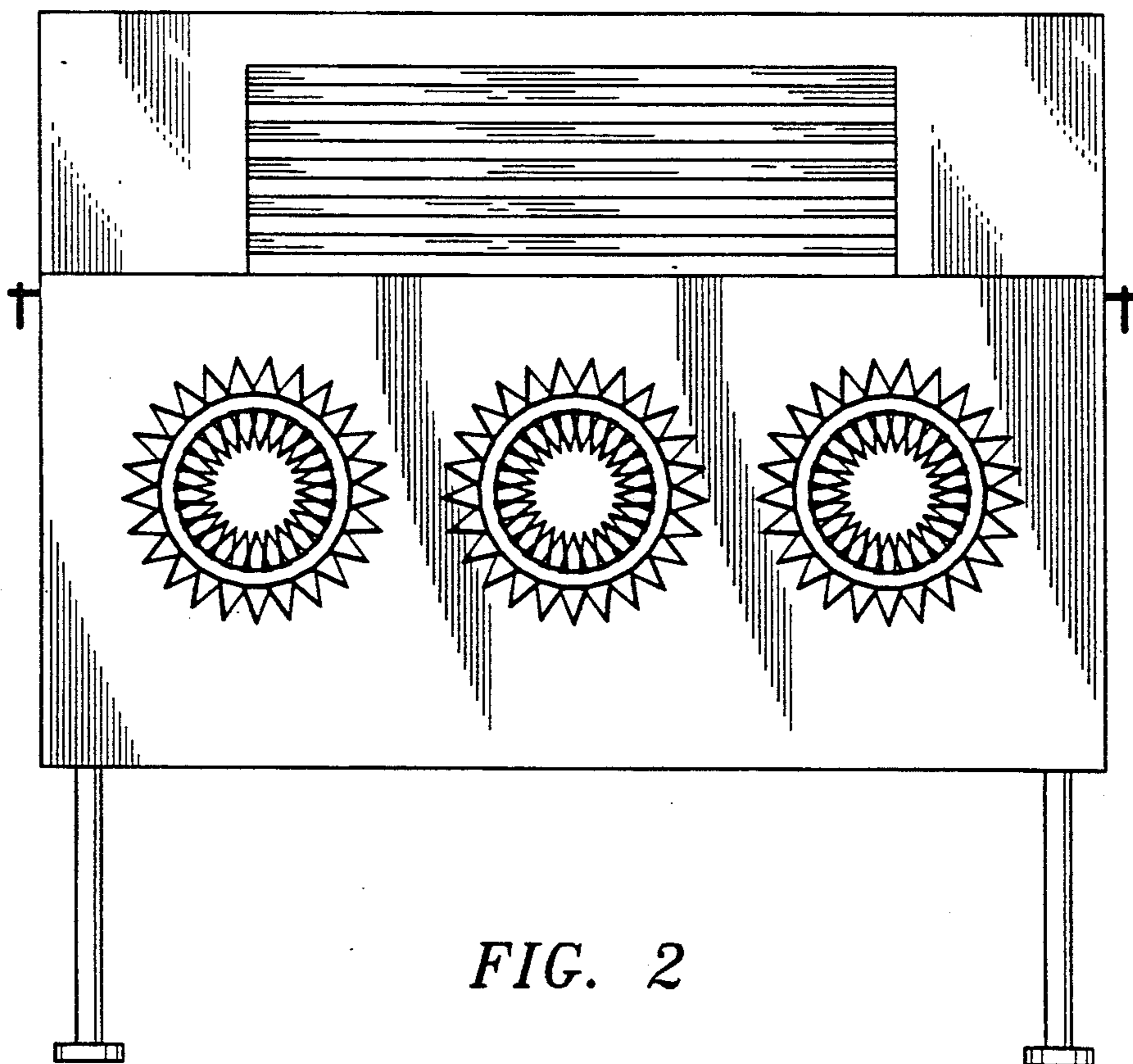


FIG. 2

FIG. 3

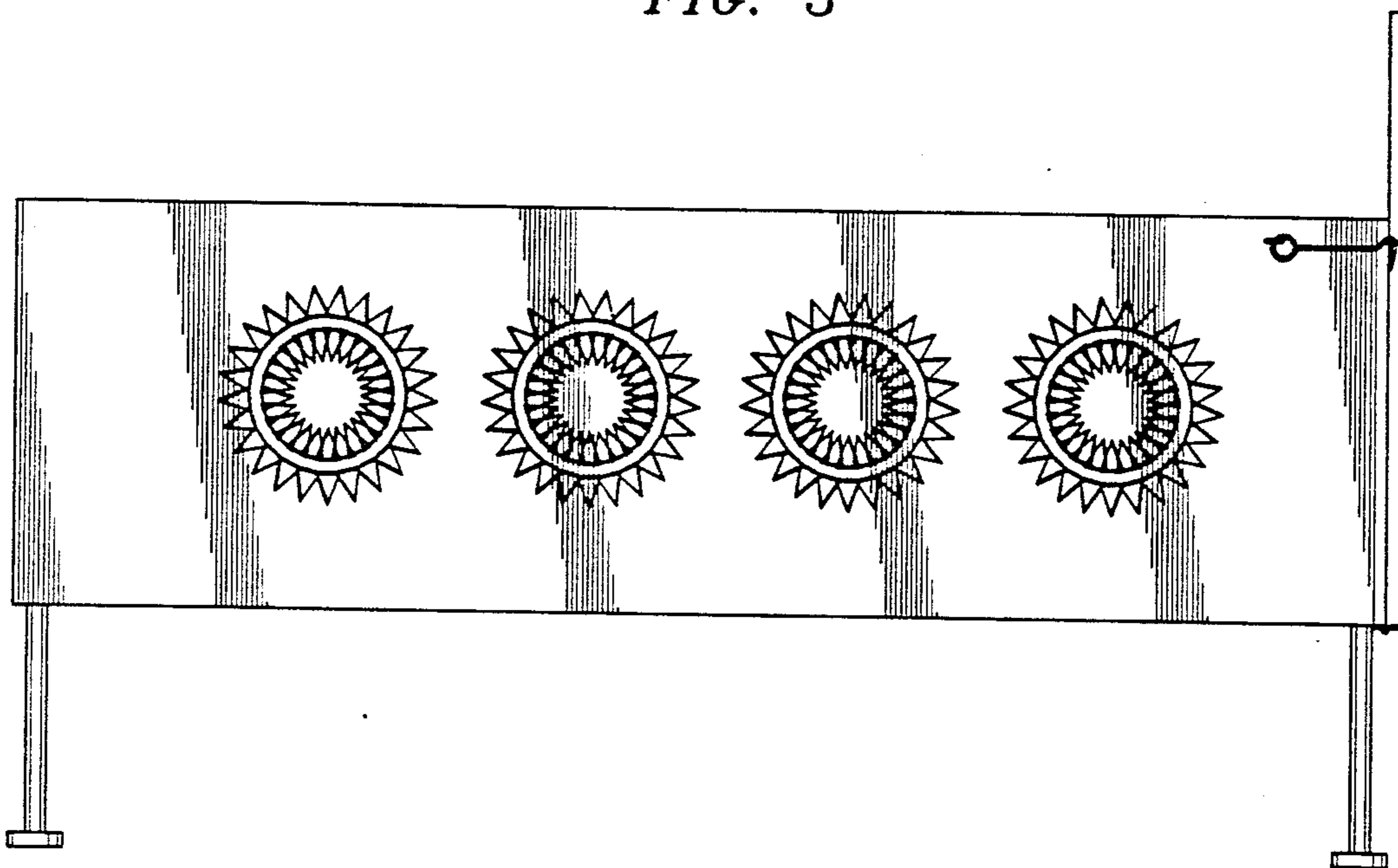
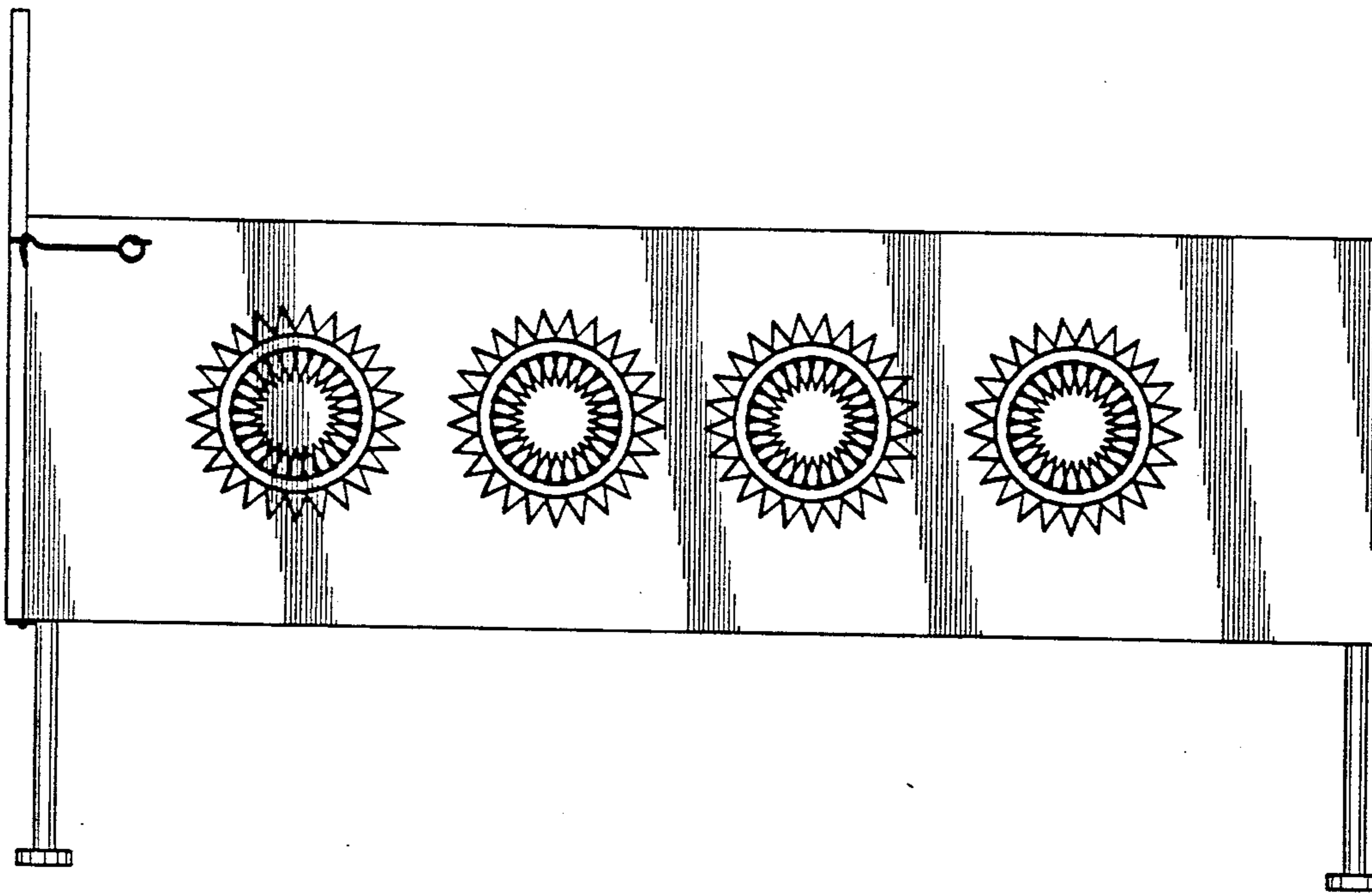


FIG. 4



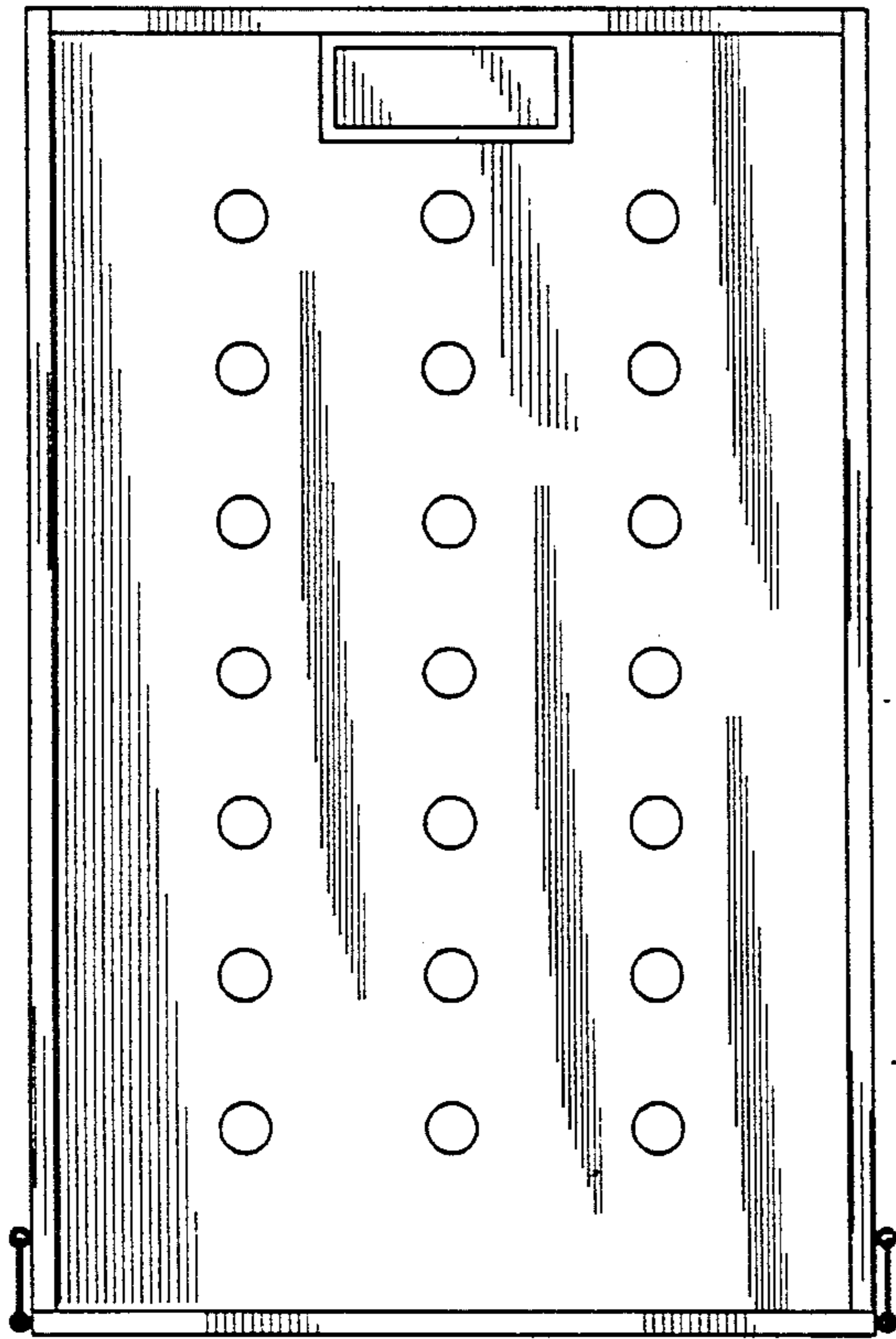


FIG. 5

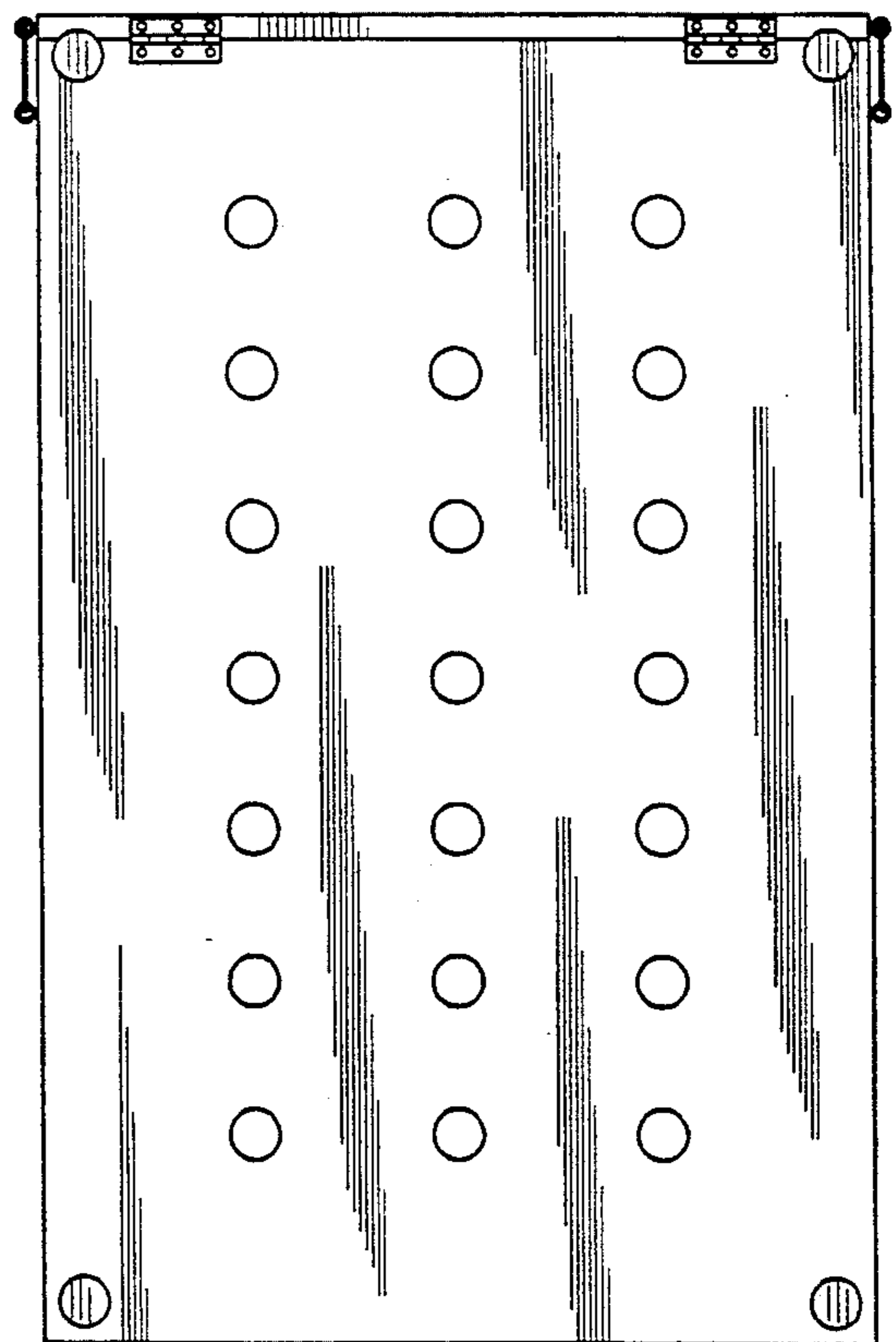


FIG. 6

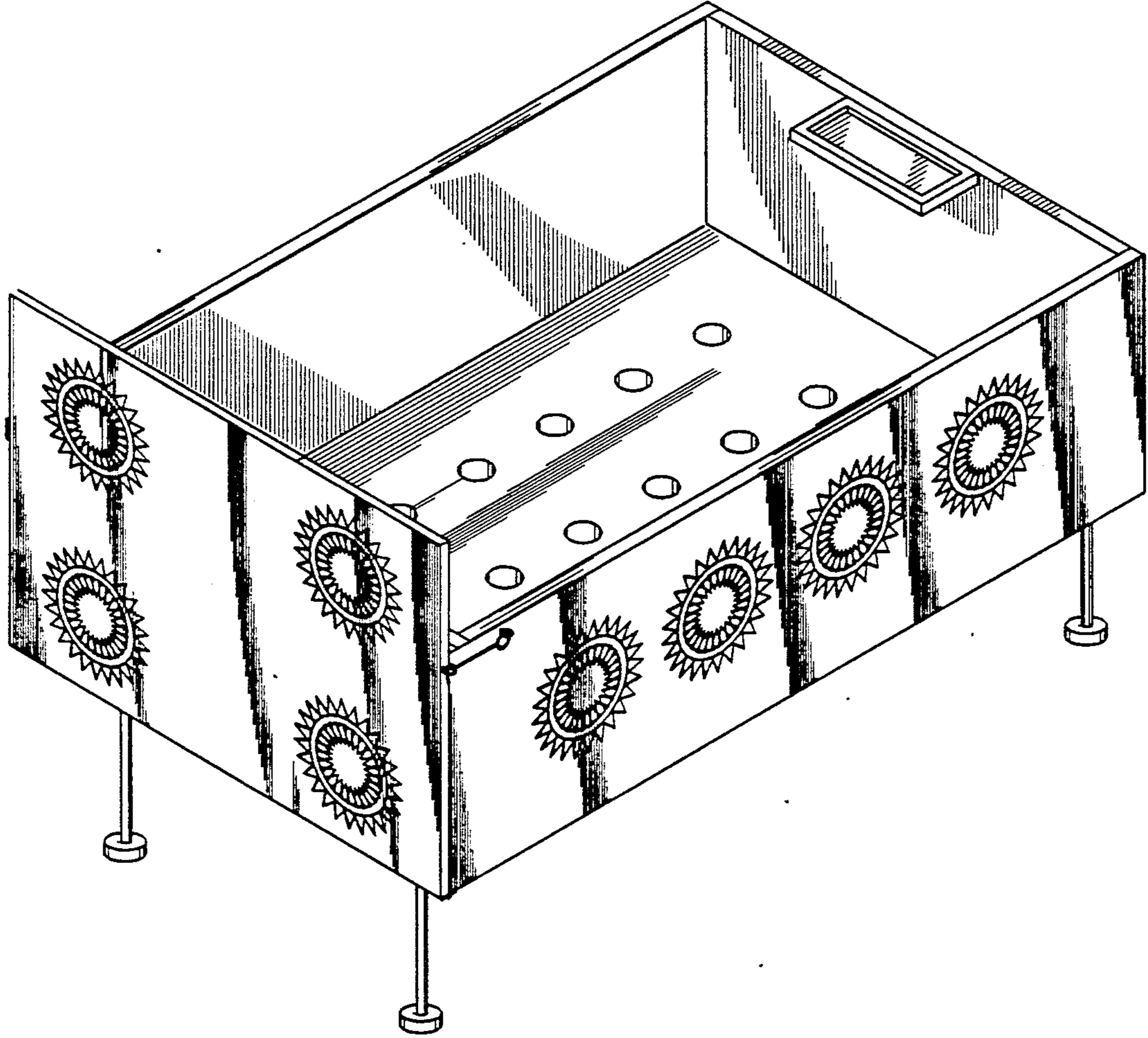


FIG. 7