



US00D329100S

United States Patent [19]

Hall et al.

[11] Patent Number: Des. 329,100

[45] Date of Patent: ** Sep. 1, 1992

[54] **OUTDOOR LIGHT**

[75] Inventors: Milly S. Hall, Dallas, Tex.; Donald L. Rohrs, Overland Park, Kans.; Kung C. Hung, Tsian Lung Tau, Hong Kong

[73] Assignee: The Brinkmann Corporation, Dallas, Tex.

[**] Term: 14 Years

[21] Appl. No.: 478,170

[22] Filed: Feb. 9, 1990

[52] U.S. Cl. D26/67

[58] Field of Search D26/67-71, D26/72, 81, 83-87, 91, 92; 362/431, 362; 145/363; 147/291; 153/302, 304; 432/183, 157

[56] **References Cited**

U.S. PATENT DOCUMENTS

D. 199,409	10/1964	Van Steenhoven	D26/67
D. 233,167	10/1984	Gore et al.	D26/71
D. 263,340	3/1982	Budnovitch et al.	D26/67
D. 305,156	12/1989	Maddock	D26/67
D. 309,785	8/1990	Chien	D26/67
4,156,272	5/1979	Wandler	362/432
4,774,648	9/1988	Kakuk et al.	362/431 X

Primary Examiner—Susan J. Lucas
Attorney, Agent, or Firm—Pretty, Schroeder, Brueggemann & Clark

[57] **CLAIM**

The ornamental design for an outdoor light, as shown and described.

DESCRIPTION

FIG. 1 is a top, front perspective view of an outdoor light showing our new design;
 FIG. 2 is a top plan view of the outdoor light illustrated in FIG. 1;
 FIG. 3 is a side elevational view of the light illustrated in FIG. 1, the opposite side of the light being a mirror image;
 FIG. 4 is a bottom plan view of the light illustrated in FIG. 1;
 FIG. 5 is a side elevational view of a second embodiment of our new design, the opposite side being a mirror image;
 FIG. 6 is a top plan view of the light illustrated in FIG. 5;
 FIG. 7 is a bottom plan view of the light illustrated in FIG. 5;
 FIG. 8 is a side elevational view of a third embodiment of our new design, the opposite side being a mirror image; and,
 FIG. 9 is a bottom plan view of the light illustrated in FIG. 8.

The top of the third embodiment is identical to the top of the first embodiment, as shown in FIG. 2. The broken lines are shown for illustrative purposes only and form no part of the claimed design.

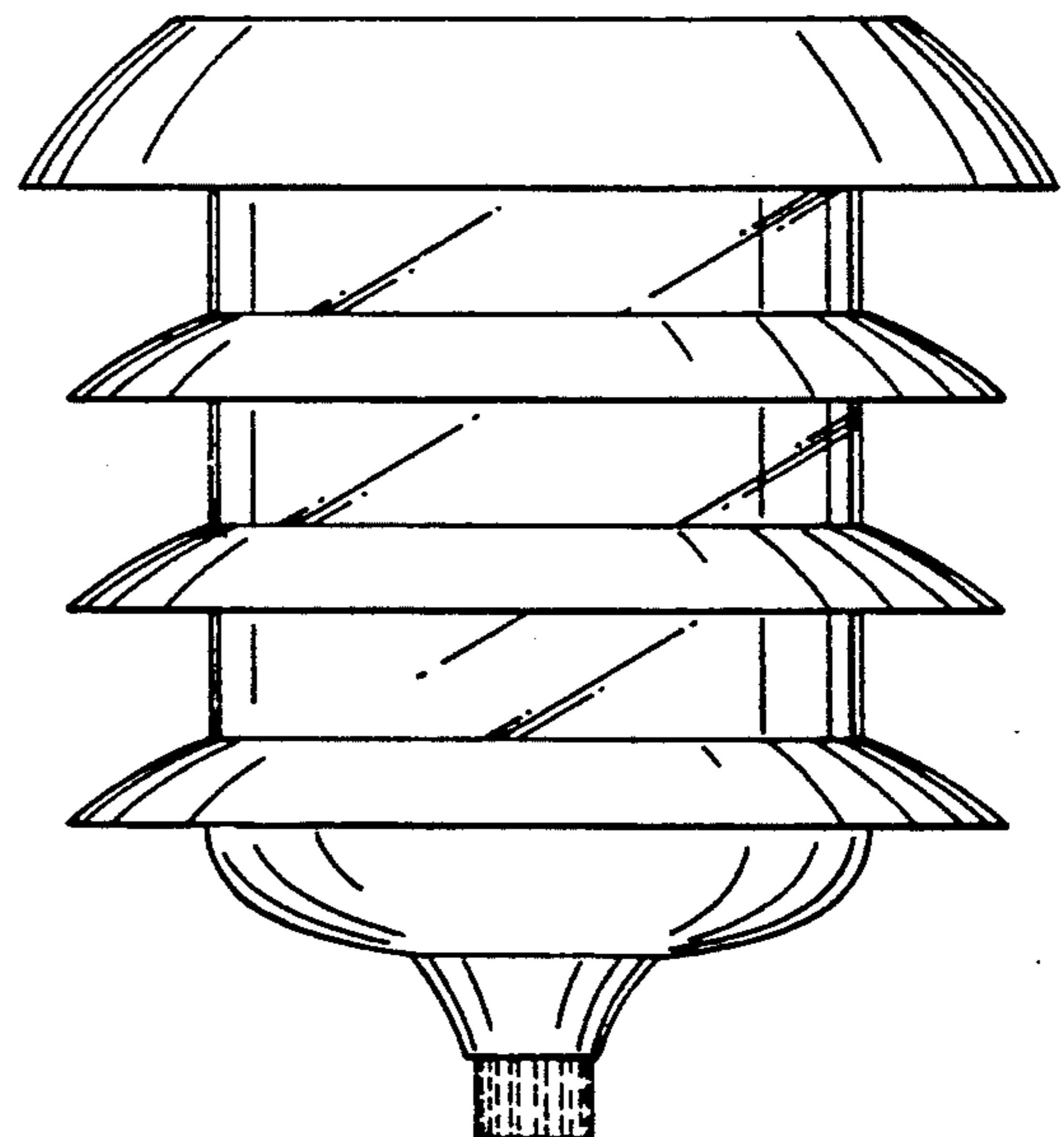
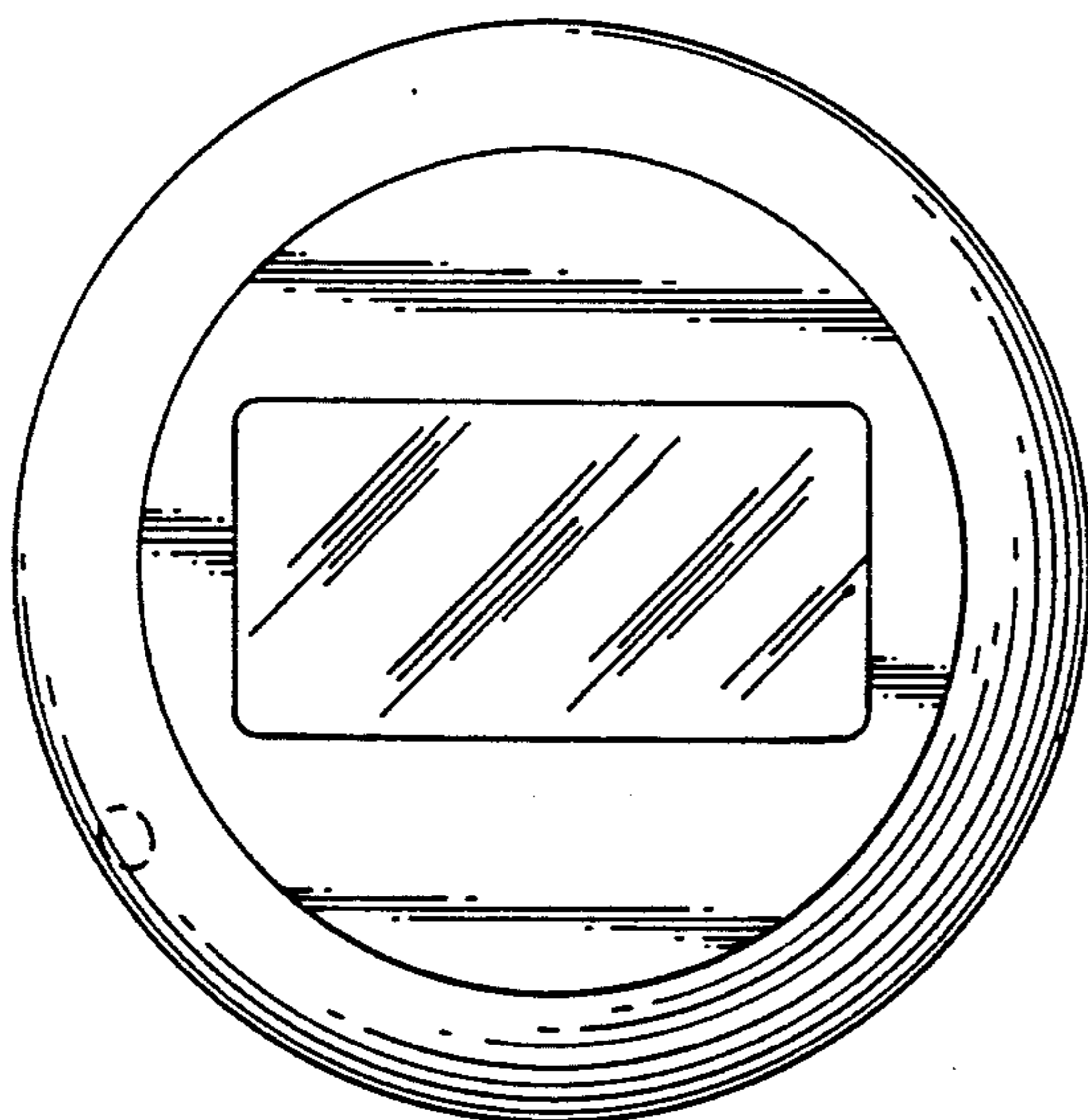


FIG. 1.

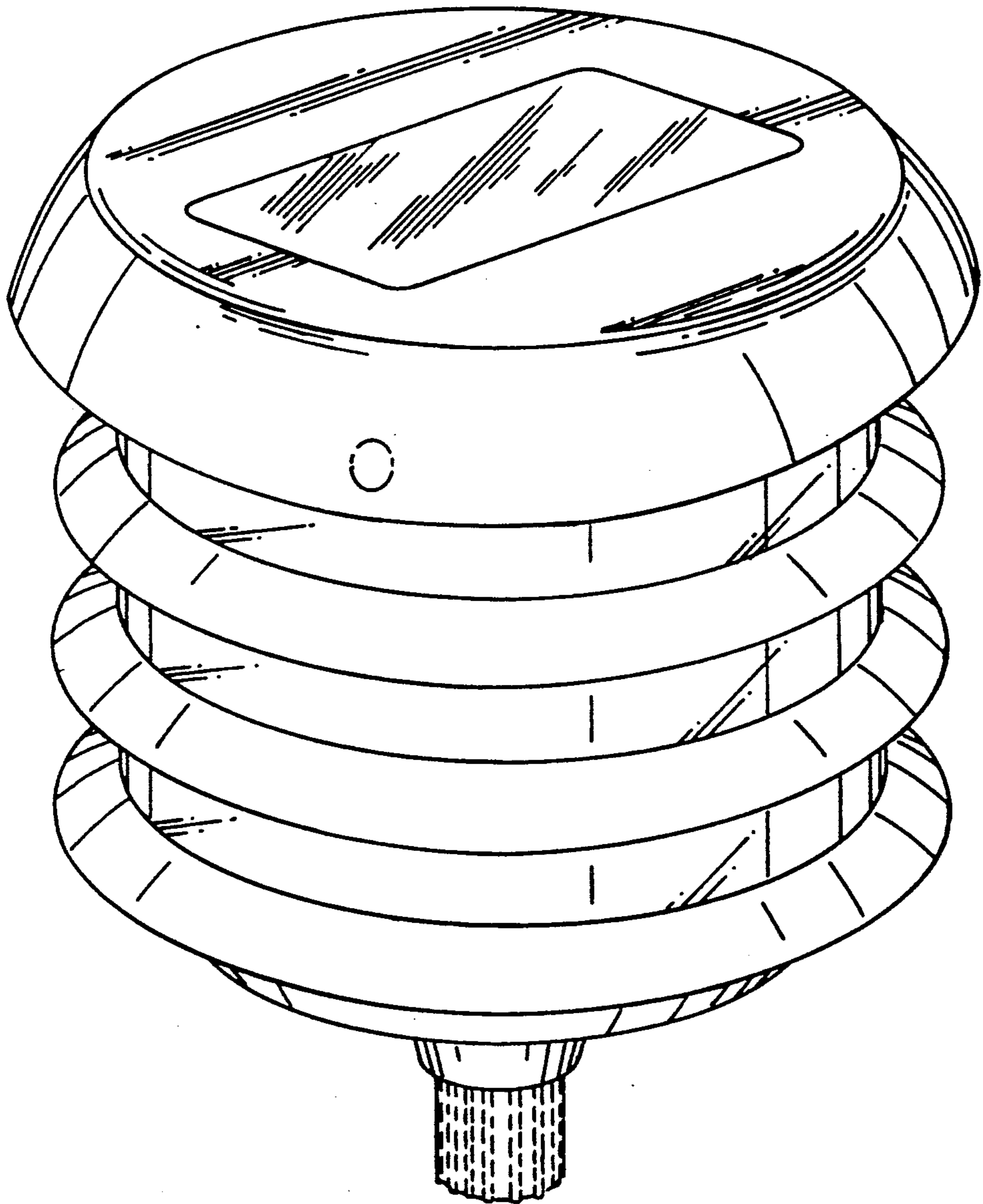


FIG. 2.

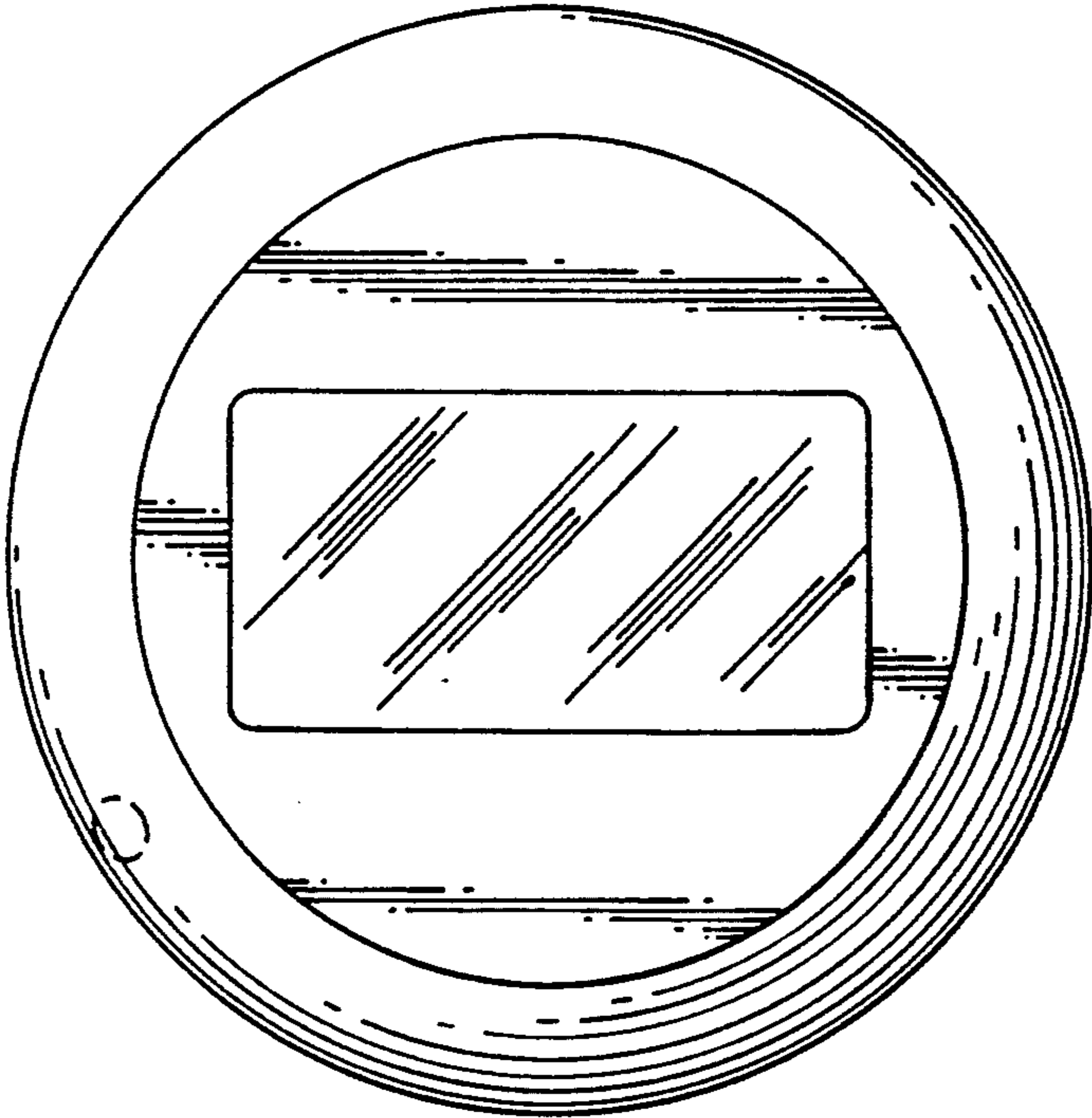


FIG. 3.

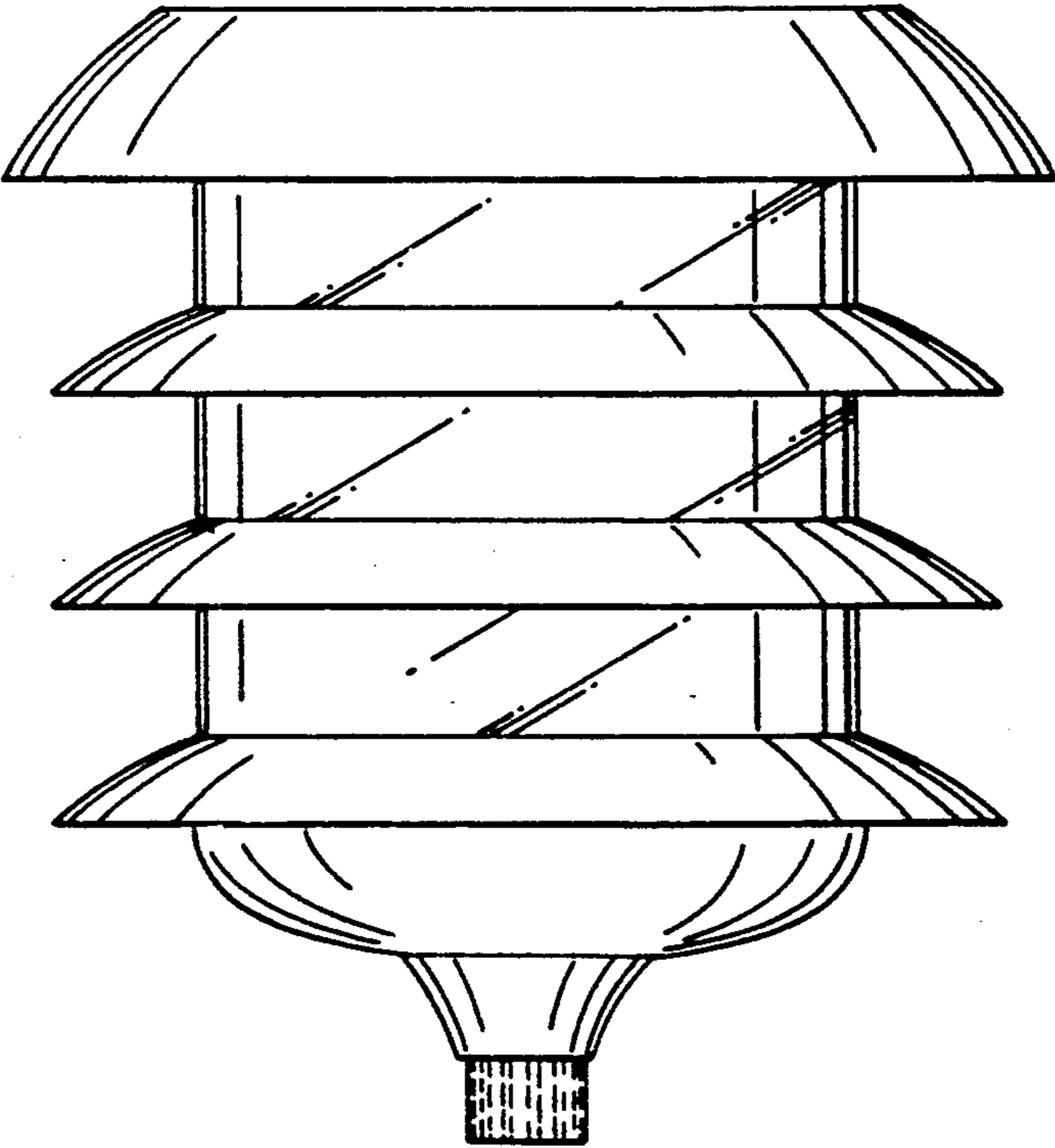


FIG. 4.

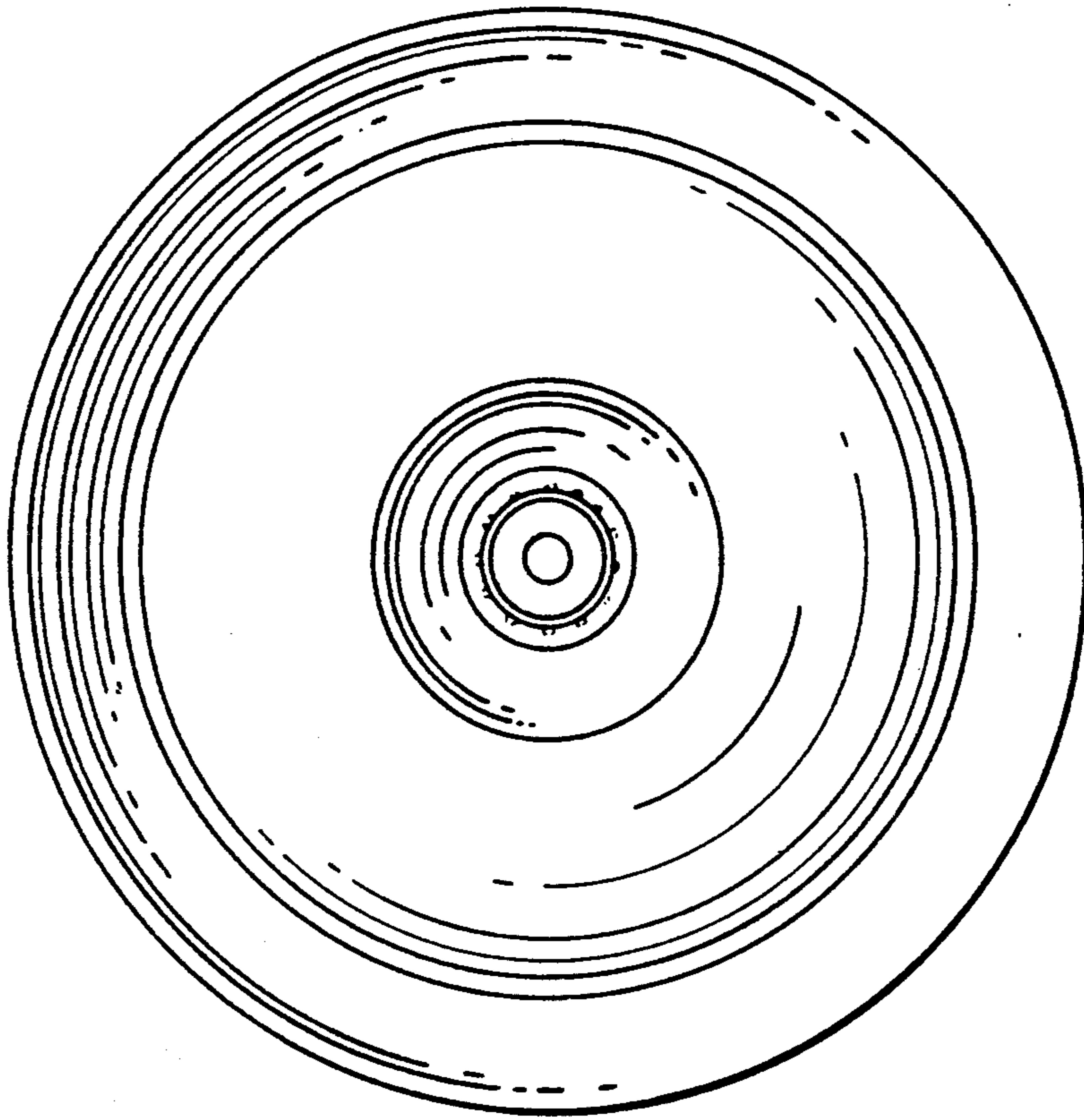


FIG. 5.

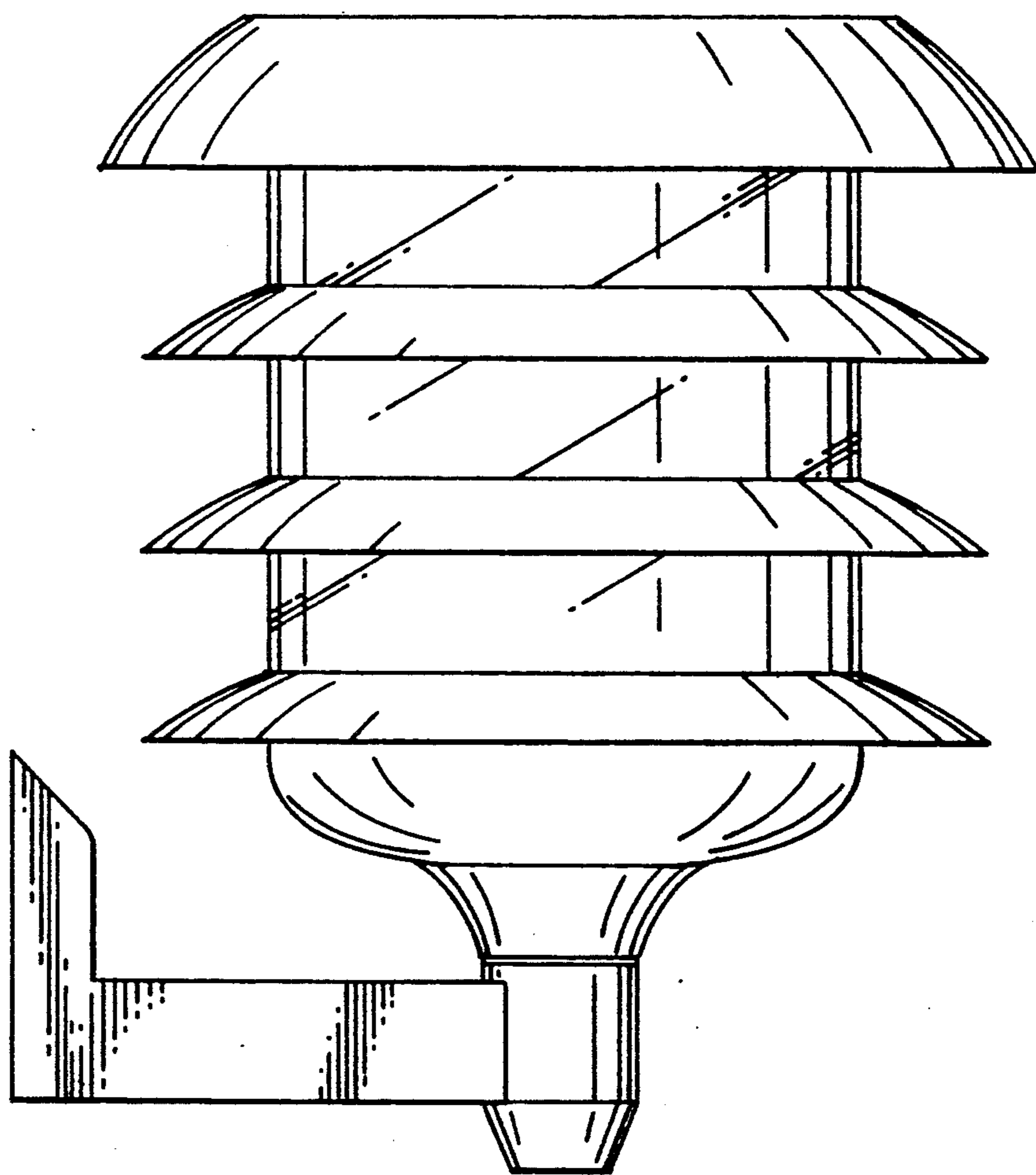


FIG. 6.

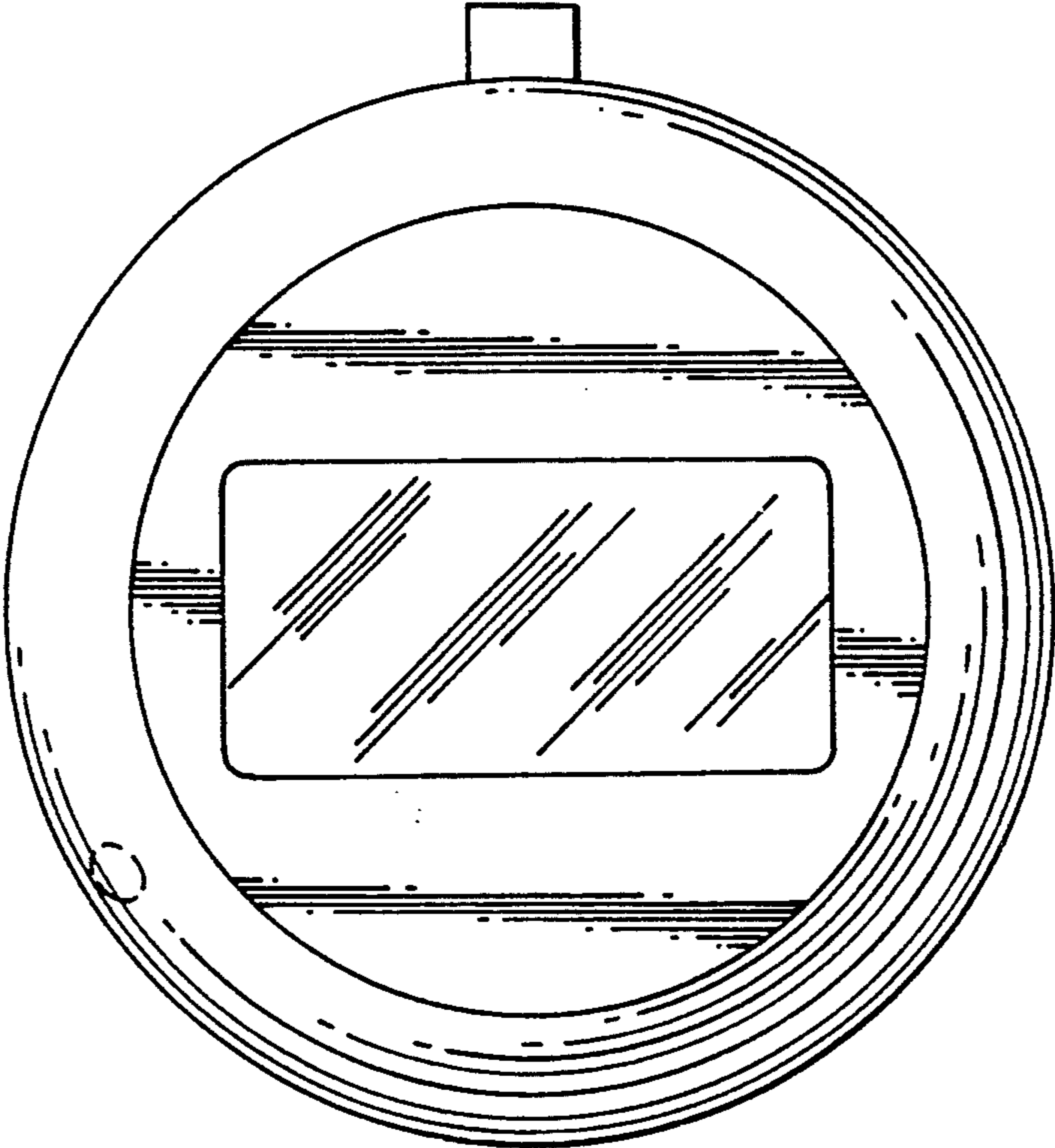


FIG. 7.

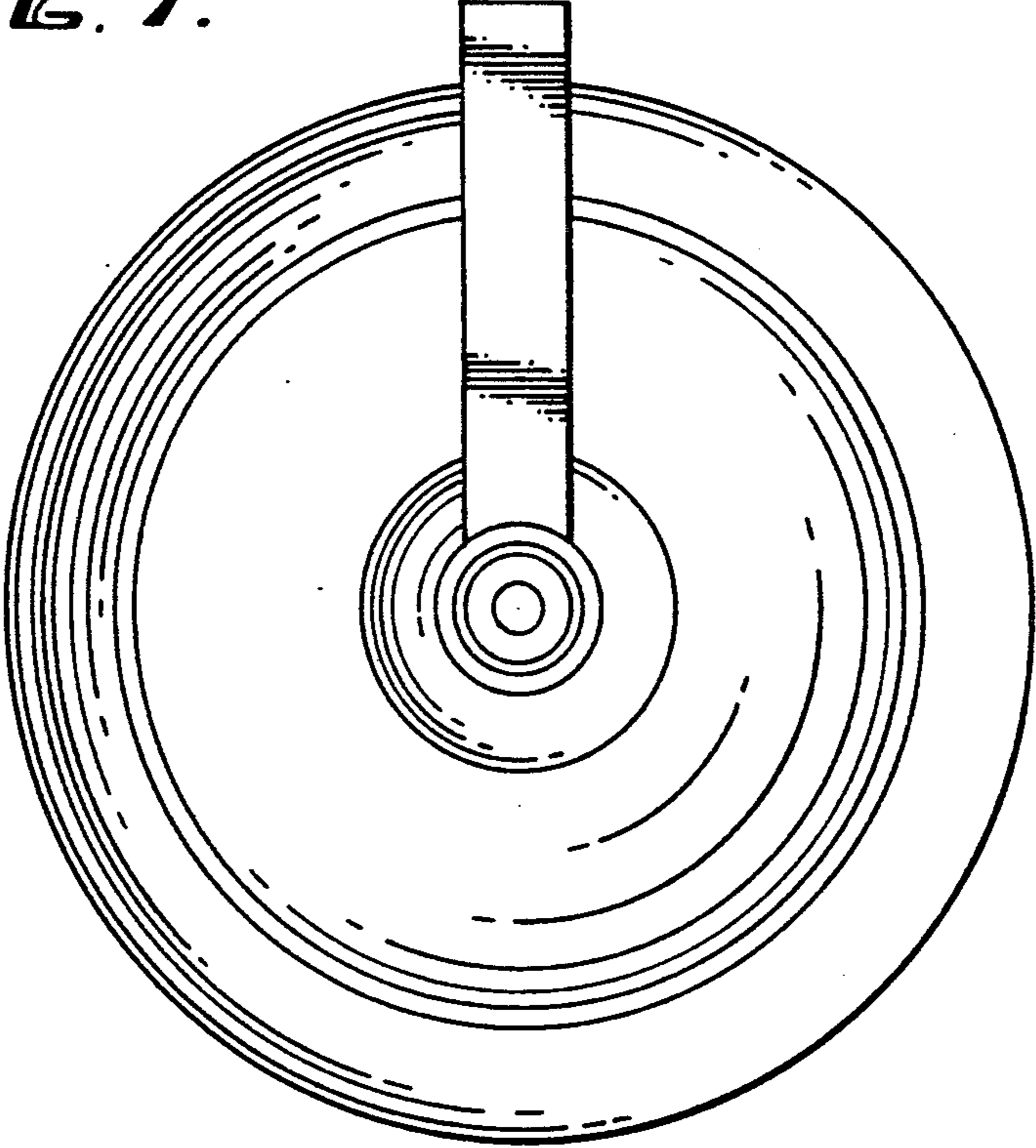


FIG. 8.

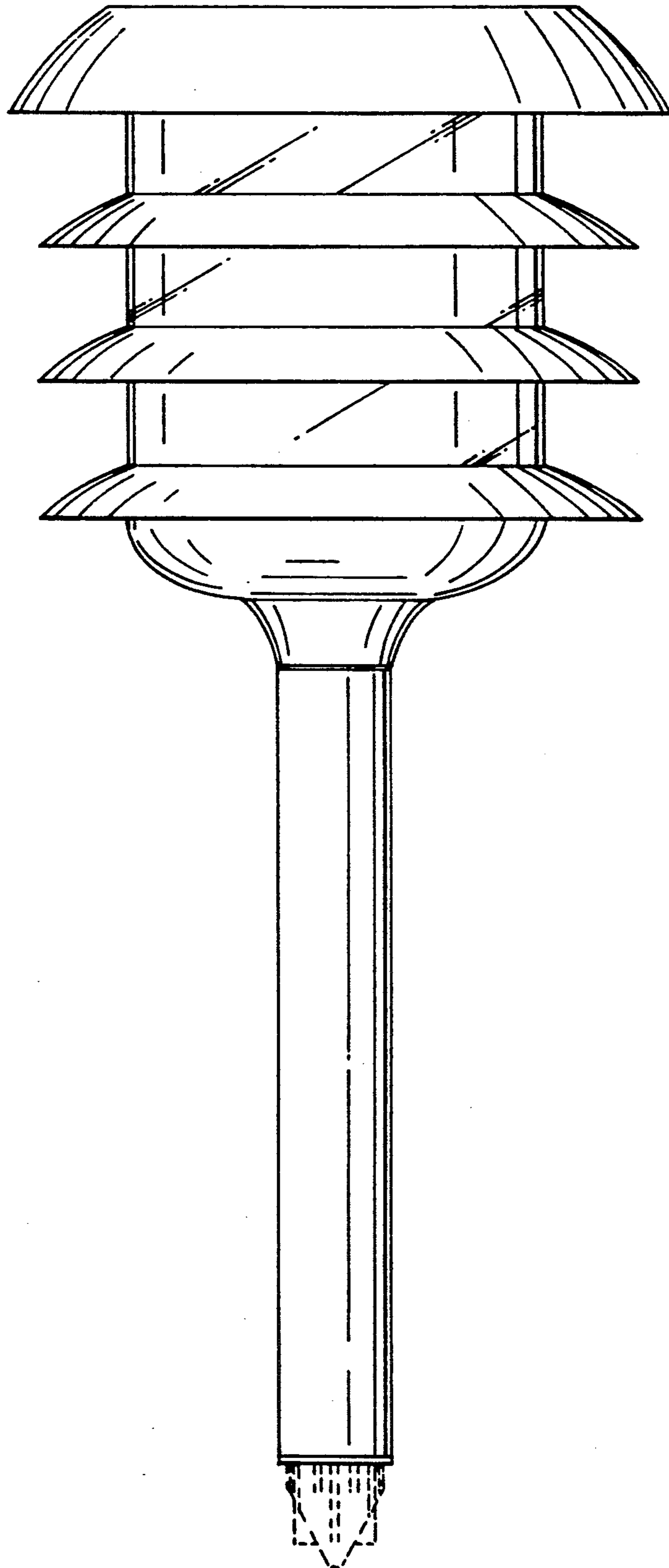


FIG. 9.

