



US00D329099S

United States Patent [19]

[11] Patent Number: **Des. 329,099**

Hall et al.

[45] Date of Patent: **** Sep. 1, 1992**

[54] OUTDOOR LIGHT

[75] Inventors: **Milly S. Hall**, Dallas, Tex.; **Donald L. Rohrs**, Overland Park, Kans.; **Kung C. Hung**, Tsian Lung Tau, Hong Kong

[73] Assignee: **The Brinkmann Corporation**, Dallas, Tex.

[**] Term: **14 Years**

[21] Appl. No.: **475,427**

[22] Filed: **Feb. 5, 1990**

[52] U.S. Cl. **D26/67**

[58] Field of Search **D26/67-70, D26/72, 81, 83-87, 91, 92; 362/431, 432, 362, 363, 145, 147, 153**

[56] References Cited

U.S. PATENT DOCUMENTS

D. 196,981	11/1963	Pettengill	D26/67
D. 197,381	1/1964	Müller	D26/67
D. 199,409	10/1964	Van Steenhoven	D26/67
D. 233,167	10/1974	Gore et al.	D26/71
D. 263,340	3/1982	Budnovitch et al.	D26/67
D. 309,785	8/1990	Chien	D26/67
4,156,272	5/1979	Wandler	362/432
4,774,648	9/1988	Kakuk et al.	362/431 X

Primary Examiner—Susan J. Lucas
Attorney, Agent, or Firm—Pretty, Schroeder, Brueggemann & Clark

[57] CLAIM

The ornamental design for an outdoor light, as shown and described.

DESCRIPTION

FIG. 1 is a top, front perspective view of an outdoor light showing our new design;

FIG. 2 is a top plan view of the outdoor light illustrated in FIG. 1;

FIG. 3 is a front elevational view of the outdoor light illustrated in FIG. 1;

FIG. 4 is a side elevational view of the outdoor light illustrated in FIG. 1, the opposite side of the outdoor light being a mirror image;

FIG. 5 is a bottom plan view of the outdoor light illustrated in FIG. 1;

FIG. 6 is a side elevational view of a second embodiment of our new design, the opposite side being a mirror image;

FIG. 7 is a top plan view of the outdoor light illustrated in FIG. 6;

FIG. 8 is a bottom plan view of the outdoor light illustrated in FIG. 6;

FIG. 9 is a side elevational view of a third embodiment of our new design, the opposite side being a mirror image; and

FIG. 10 is a bottom plan view of the outdoor light illustrated in FIG. 9.

The top of the third embodiment is identical to the top of the first embodiment, as shown in FIG. 2.

The broken lines are shown for illustrative purposes only and form no part of the claimed design.

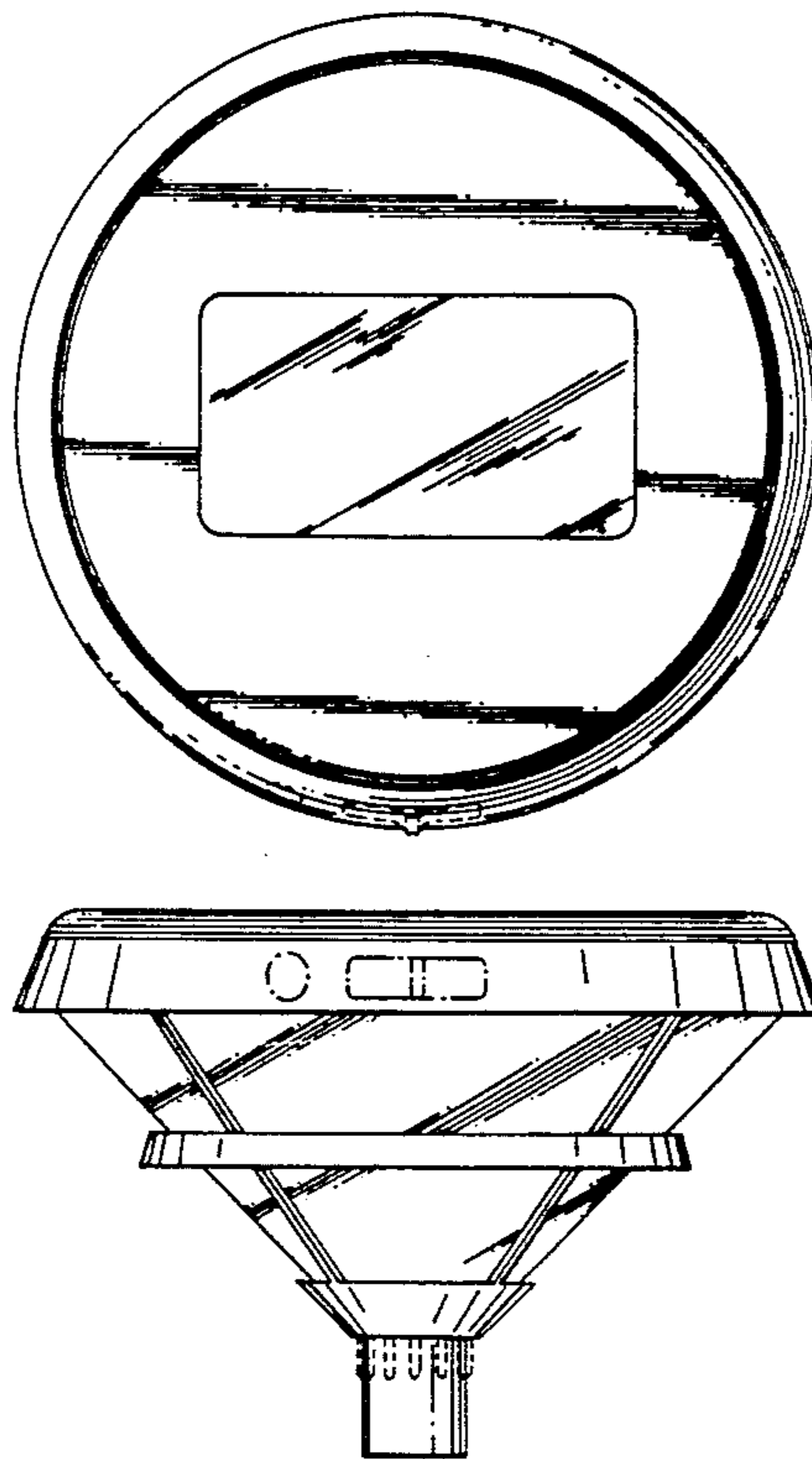


FIG. 1.

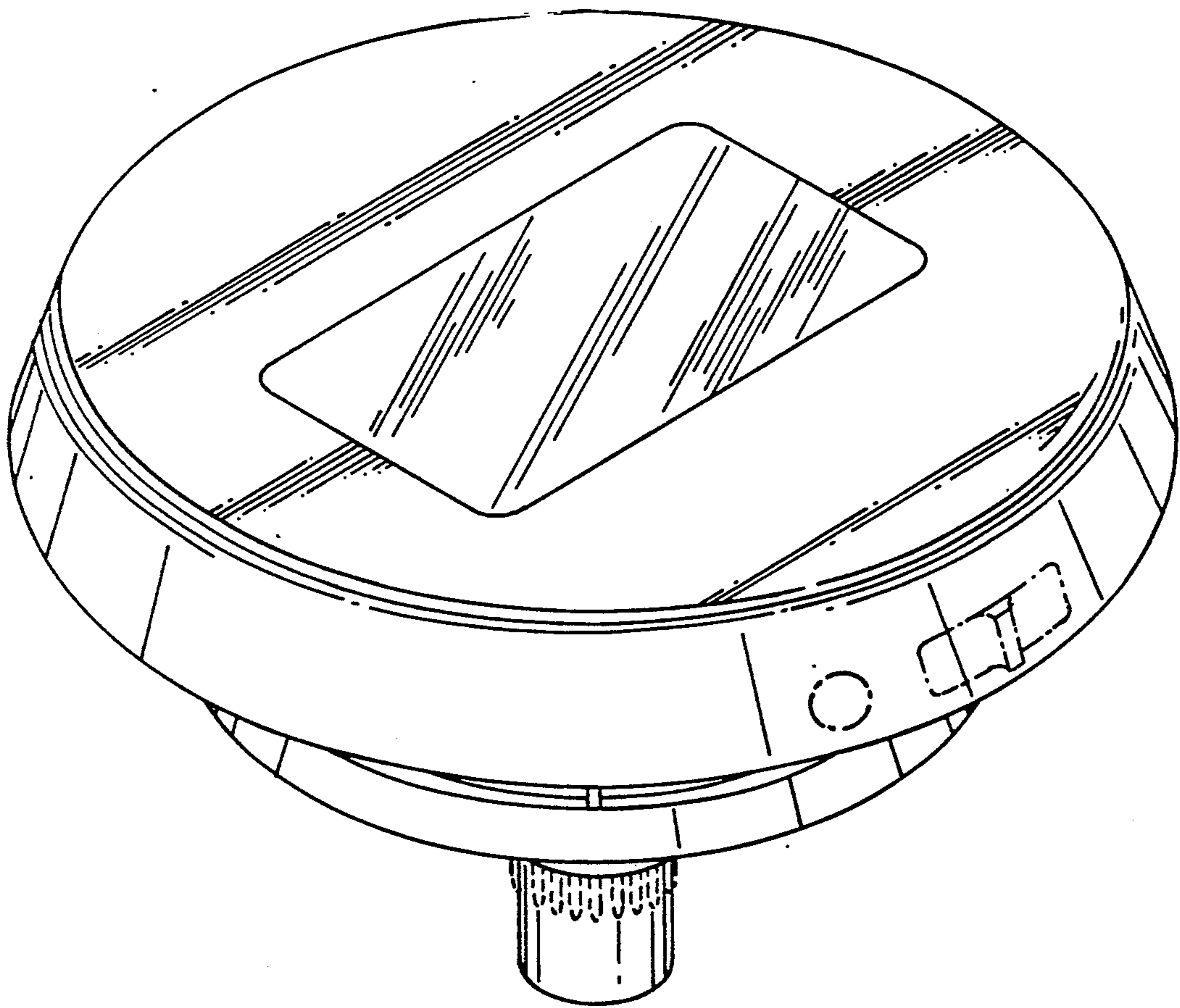


FIG. 2.

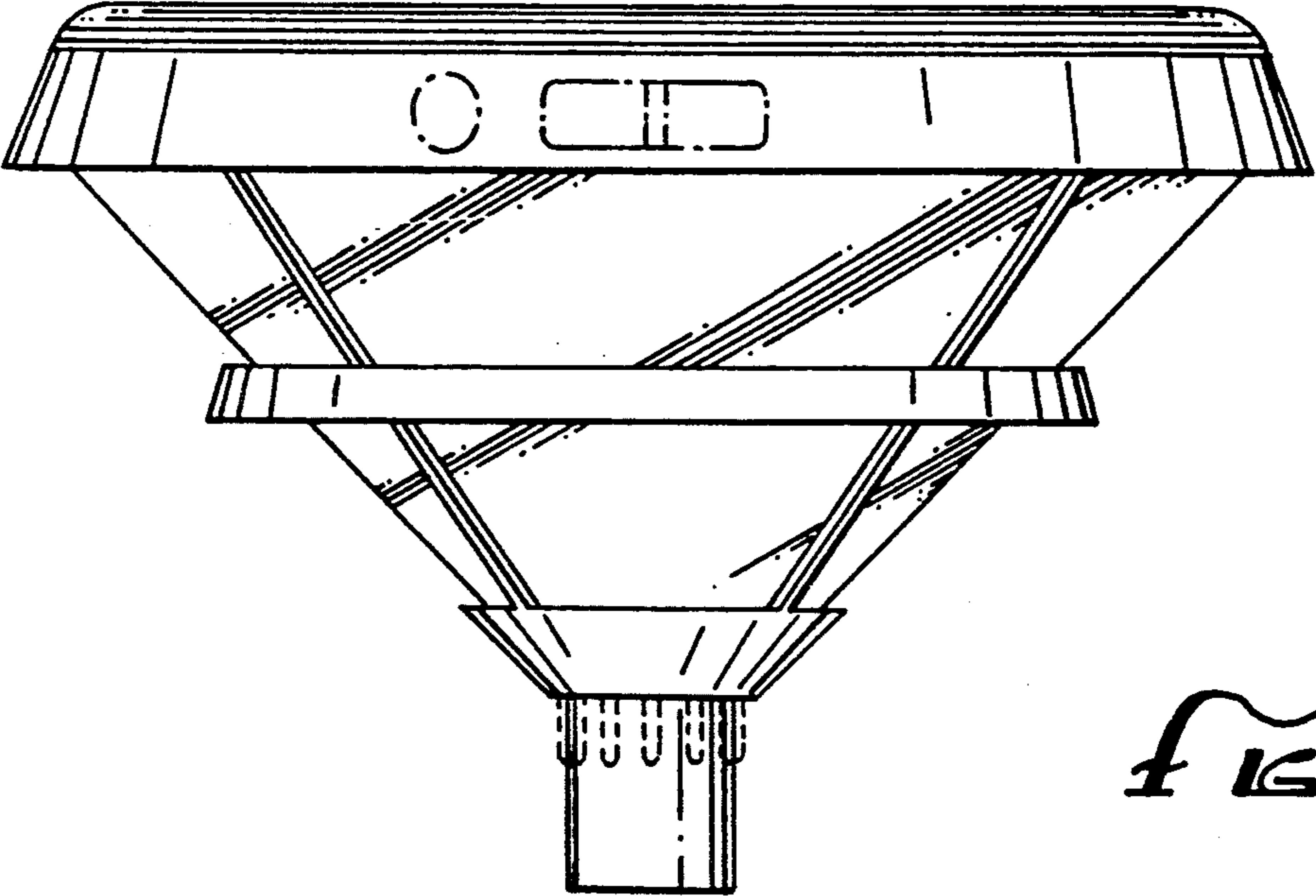
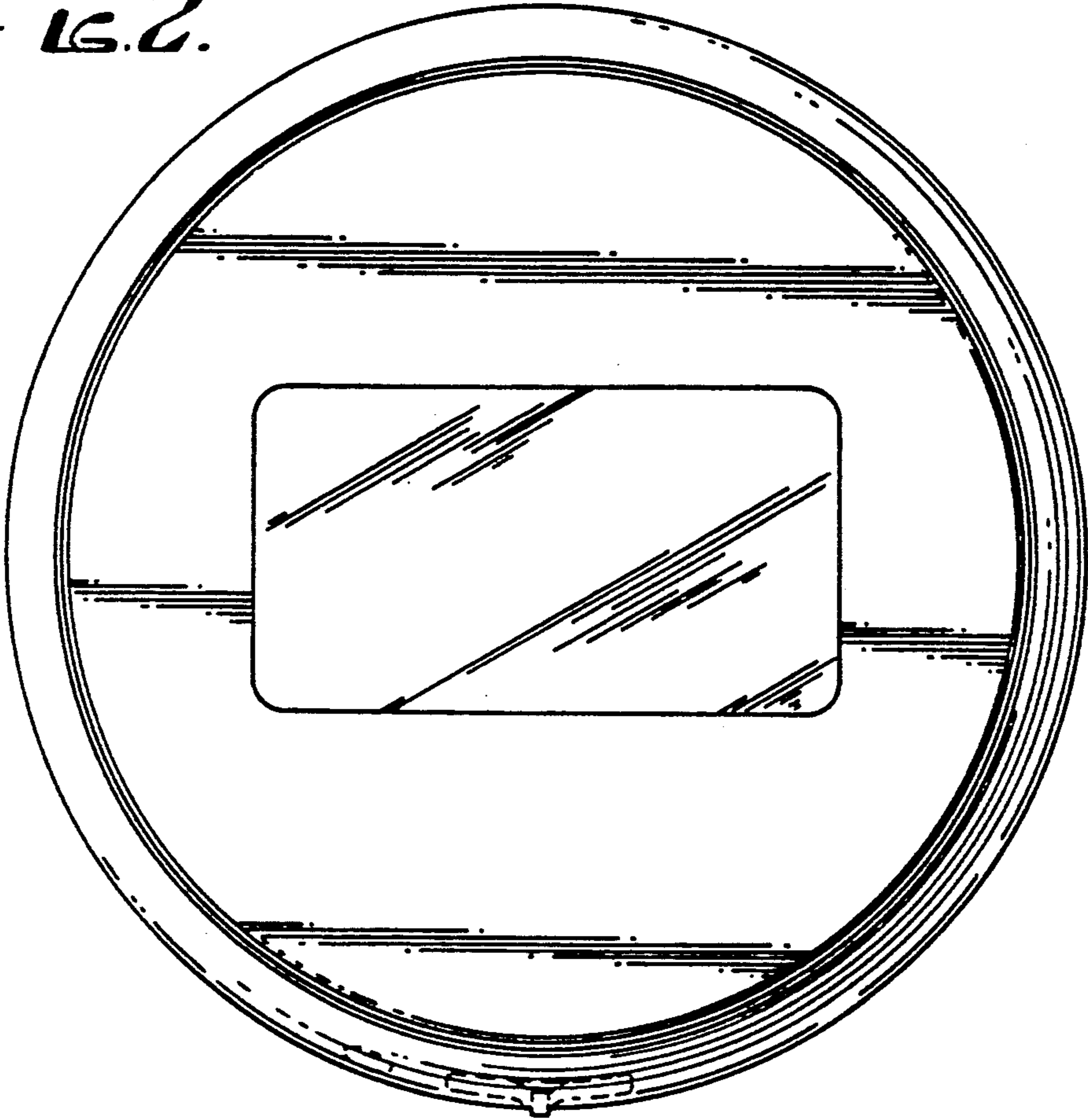


FIG. 3.

FIG. 4.

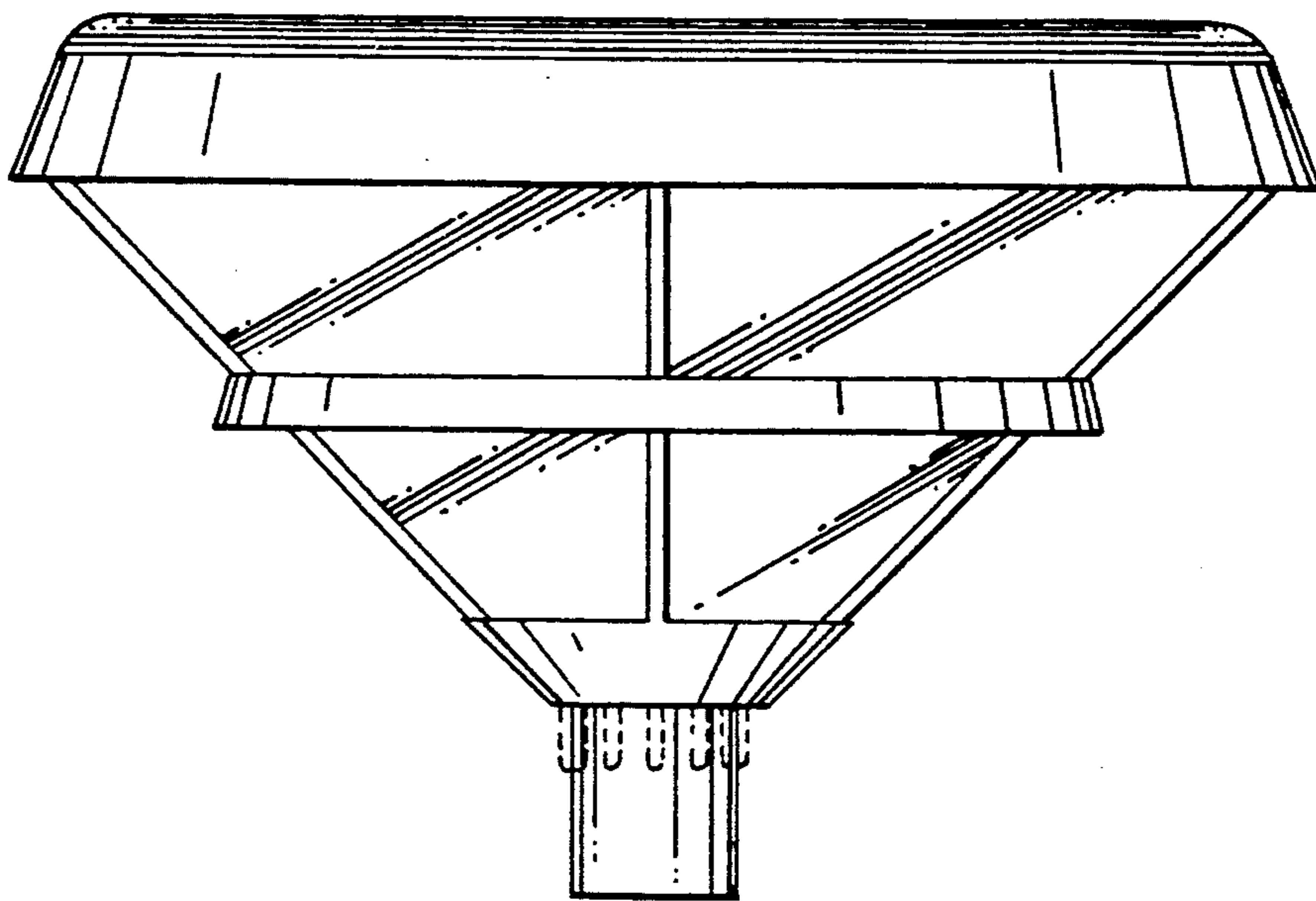


FIG. 5.

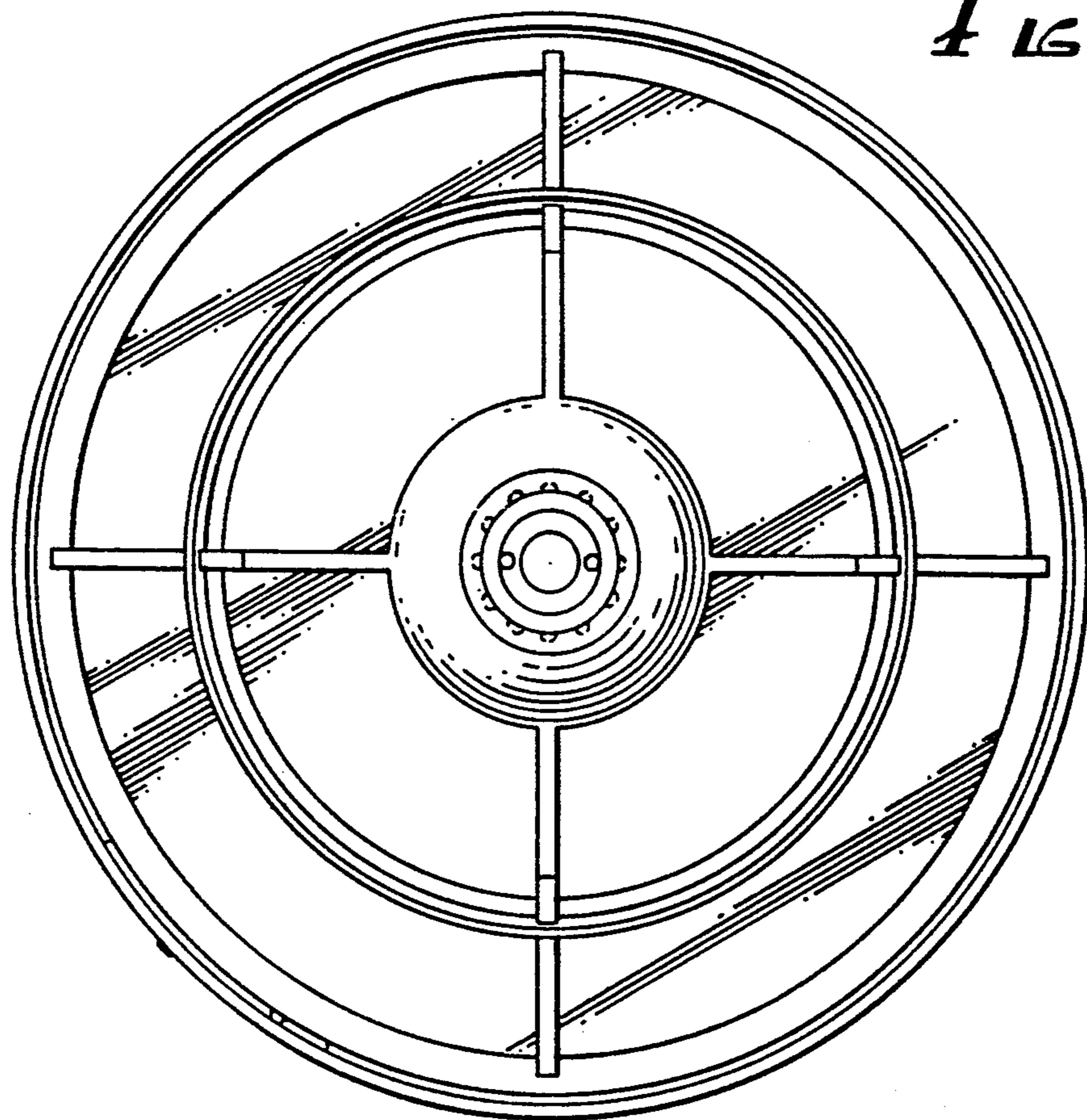
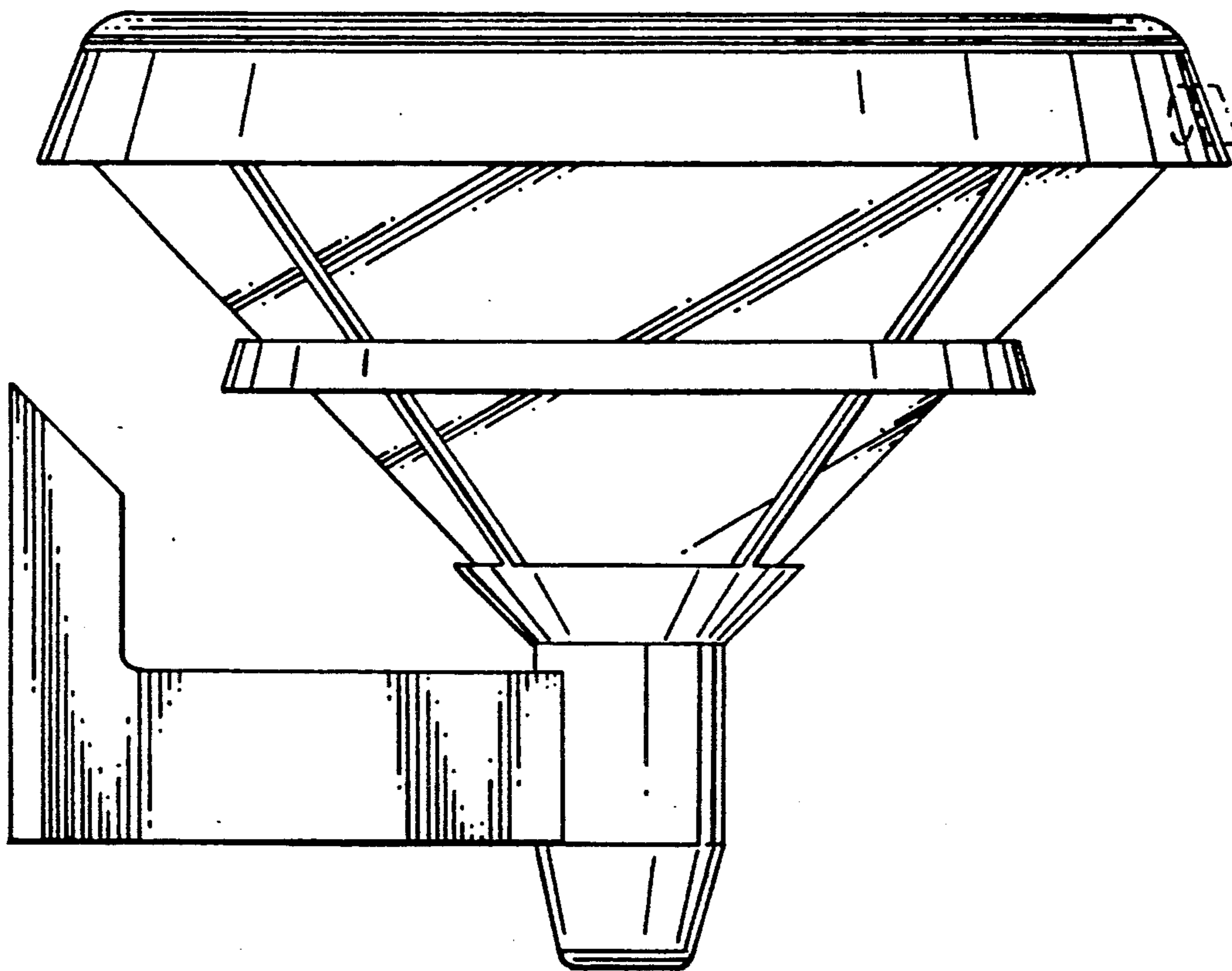


FIG. 6.



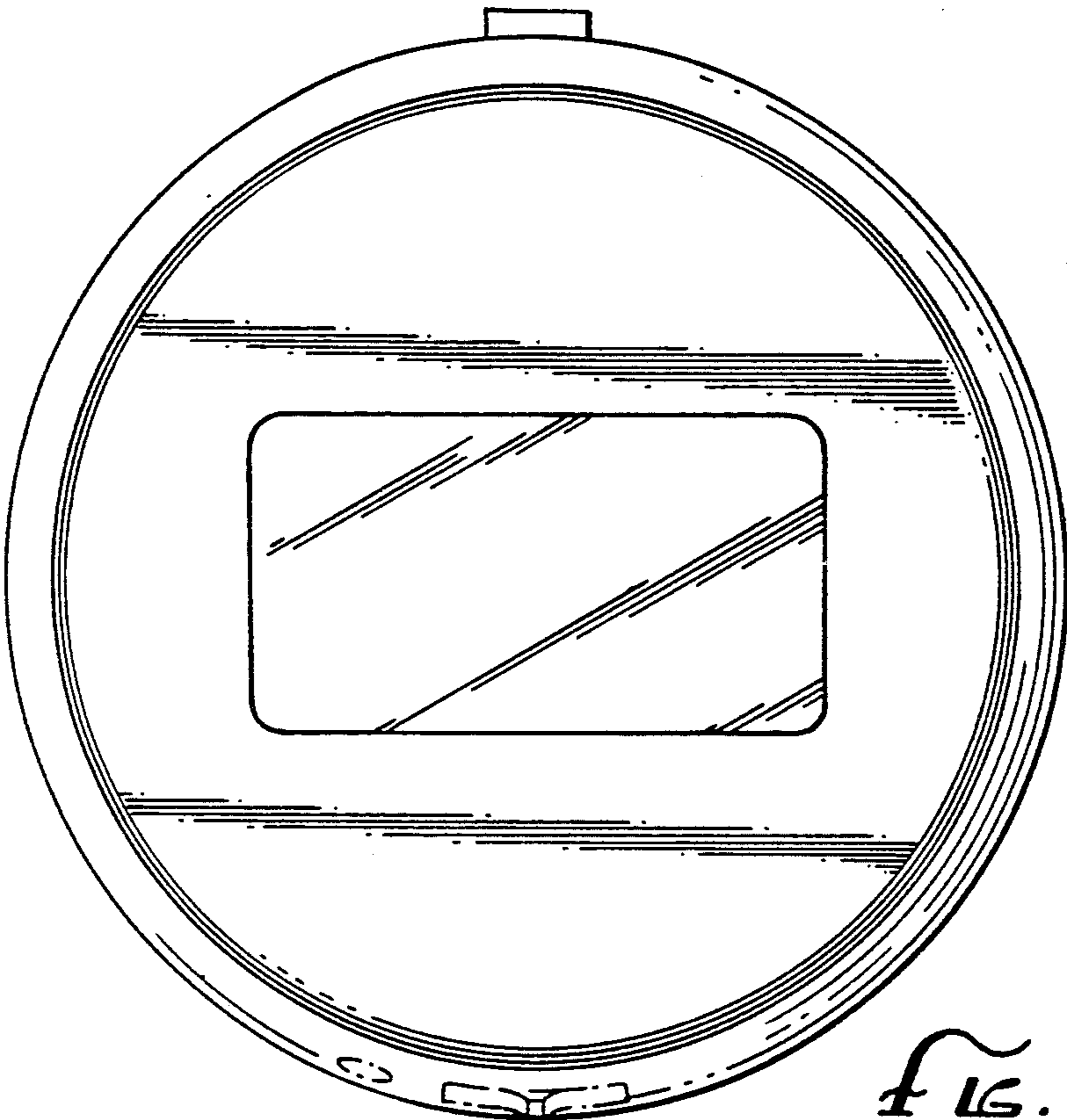


FIG. 7.

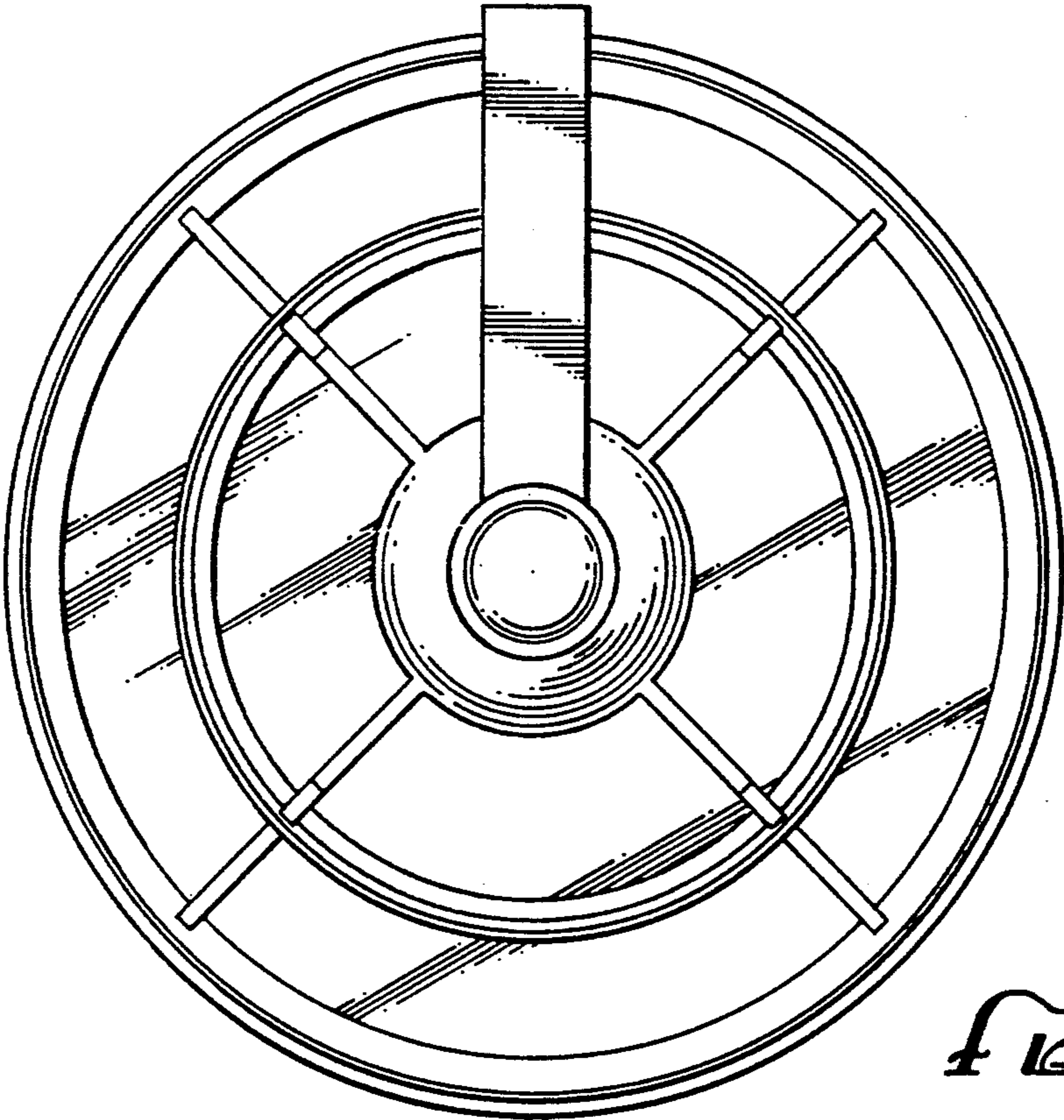


FIG. 8.

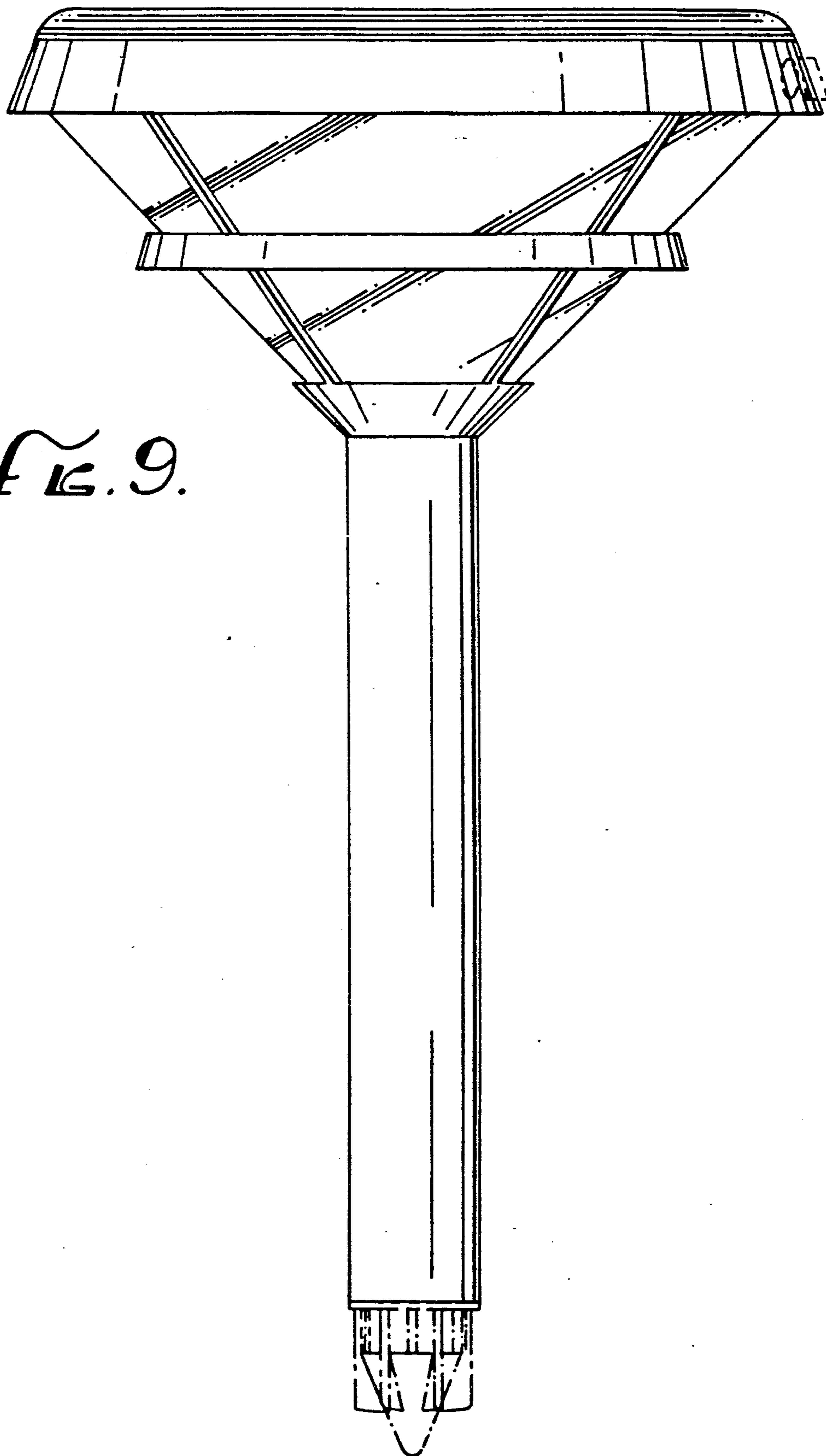


FIG. 9.

FIG. 10.

