



US00D329096S

United States Patent [19]

[11] Patent Number: Des. 329,096

Herring

[45] Date of Patent: ** Sep. 1, 1992

[54] KIT FOR HARVESTING ENDOTHELIAL CELLS AND INOCULATING A VASCULAR PROSTHESIS

[56] References Cited

U.S. PATENT DOCUMENTS

D. 304,369 10/1989 Challberg et al. D24/224
3,986,935 10/1976 Jackson, Jr. et al. D24/226 X

[76] Inventor: Malcolm B. Herring, 1640 Walden Ct., Zionsville, Ind. 46077

Primary Examiner—Stella Reid
Attorney, Agent, or Firm—Woodard, Emhardt, Naughton, Moriarty & McNett

[**] Term: 14 Years

[57] CLAIM

[21] Appl. No.: 671,949

The ornamental design for a kit for harvesting endothelial cells and inoculating a vascular prosthesis, as shown and described.

[22] Filed: Apr. 8, 1991

DESCRIPTION

Related U.S. Application Data

[60] Division of Ser. No. 584,505, Sep. 17, 1990, Pat. No. 5,041,091, which is a continuation of Ser. No. 920,992, Oct. 20, 1986, abandoned.

FIG. 1 is a top plan view of a kit for harvesting endothelial cells and inoculating a vascular prosthesis, showing my new design;

[52] U.S. Cl. D24/226

FIG. 2 is a side elevational view thereof;

[58] Field of Search D24/216, 223, 227, 226, D24/224, 229; 604/41, 43, 44, 45, 48, 93, 96-104, 264, 270, 275, 278, 279, 283; 128/747, 750; 600/36

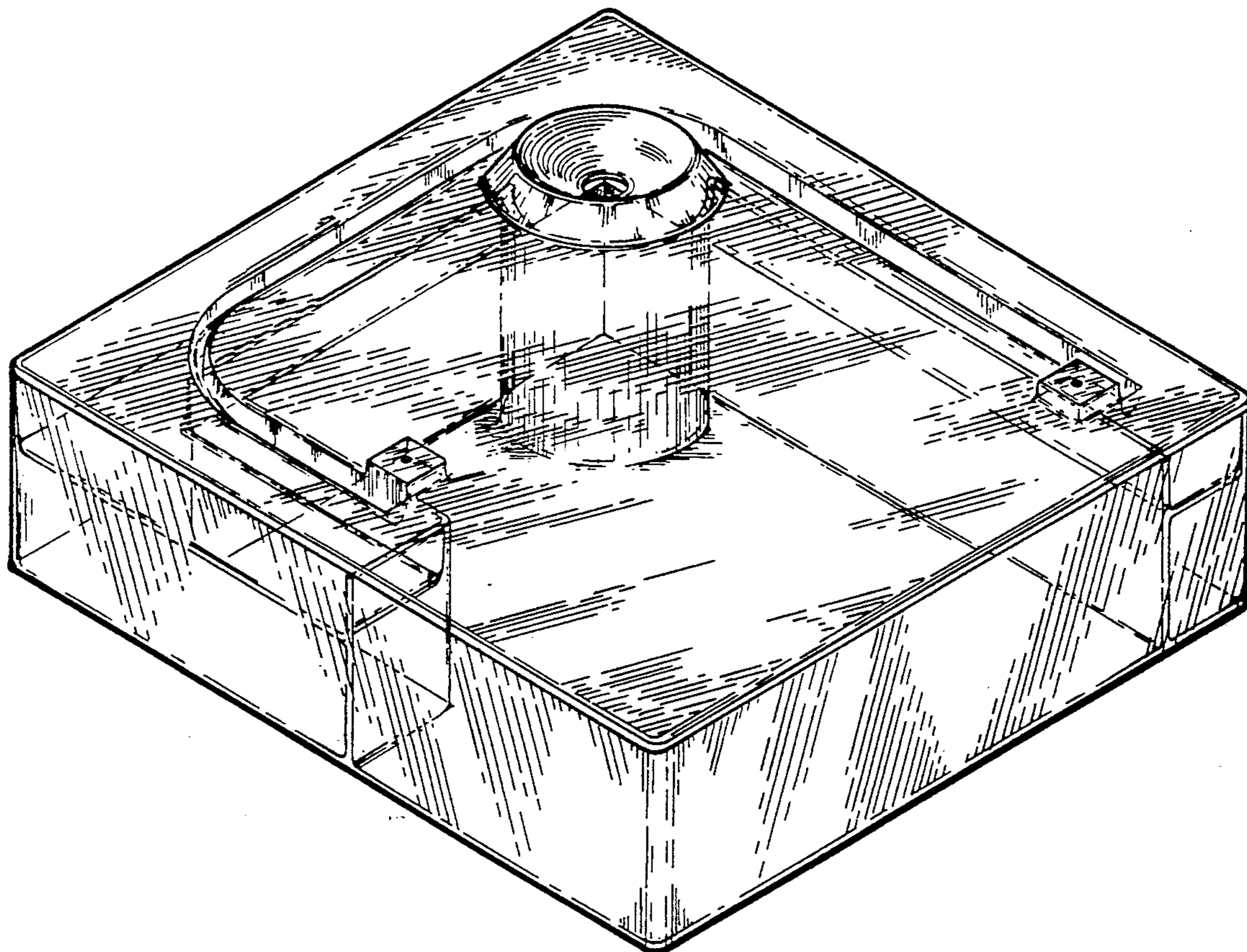
FIG. 3 is a side elevational view thereof, opposite that shown in FIG. 2;

FIG. 4 is a bottom plan view thereof;

FIG. 5 is an end elevational view thereof;

FIG. 6 is an end elevational view thereof, opposite that shown in FIG. 5; and,

FIG. 7 is a perspective view thereof.



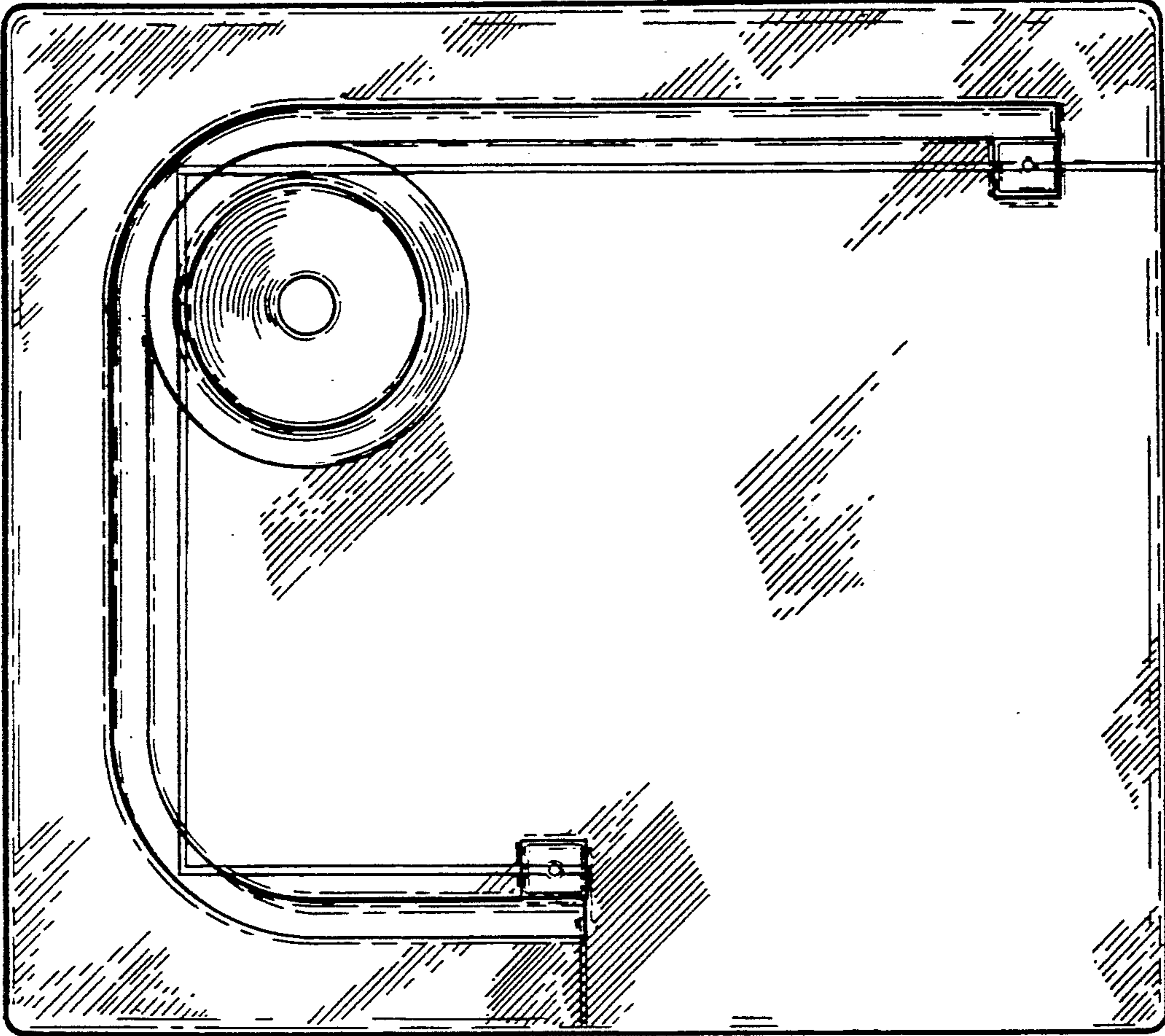


Fig.1

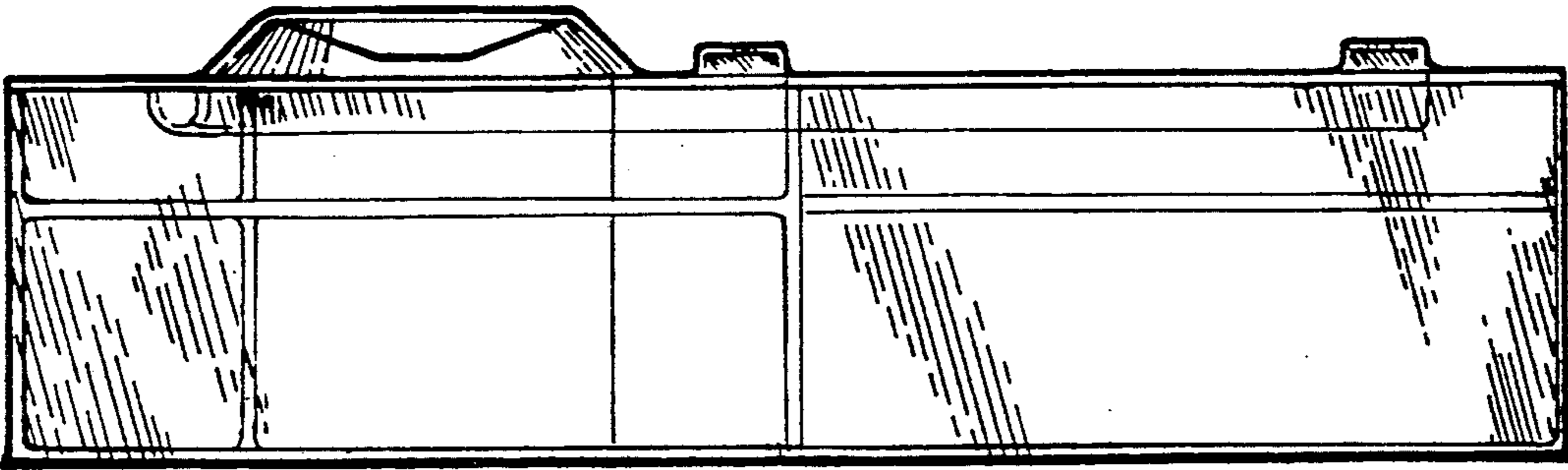


Fig.2

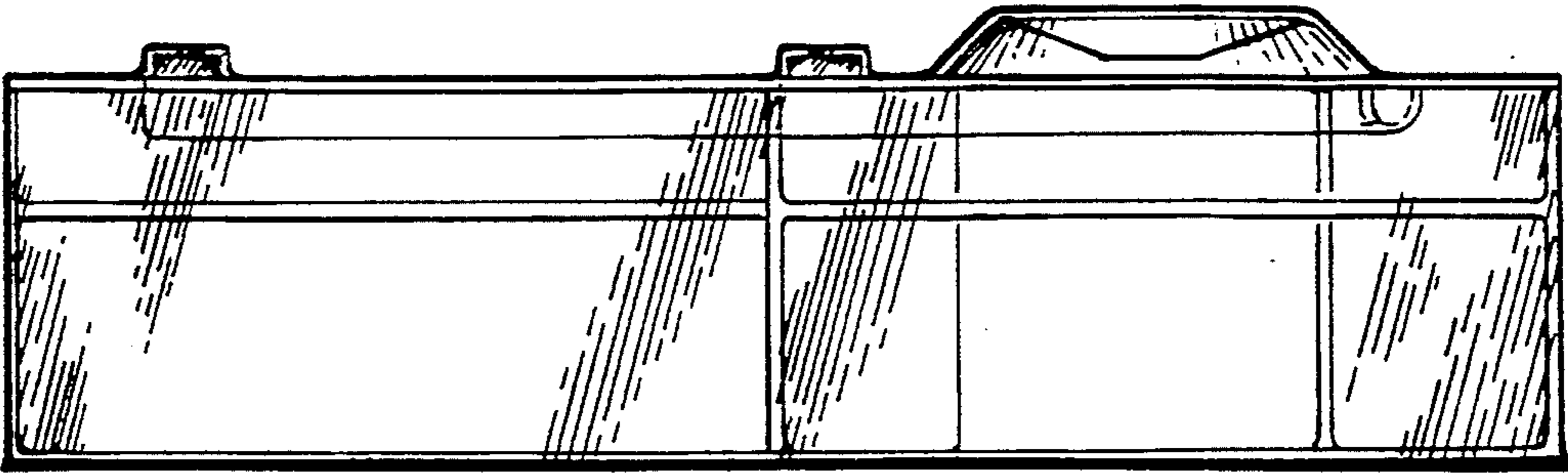


Fig.3

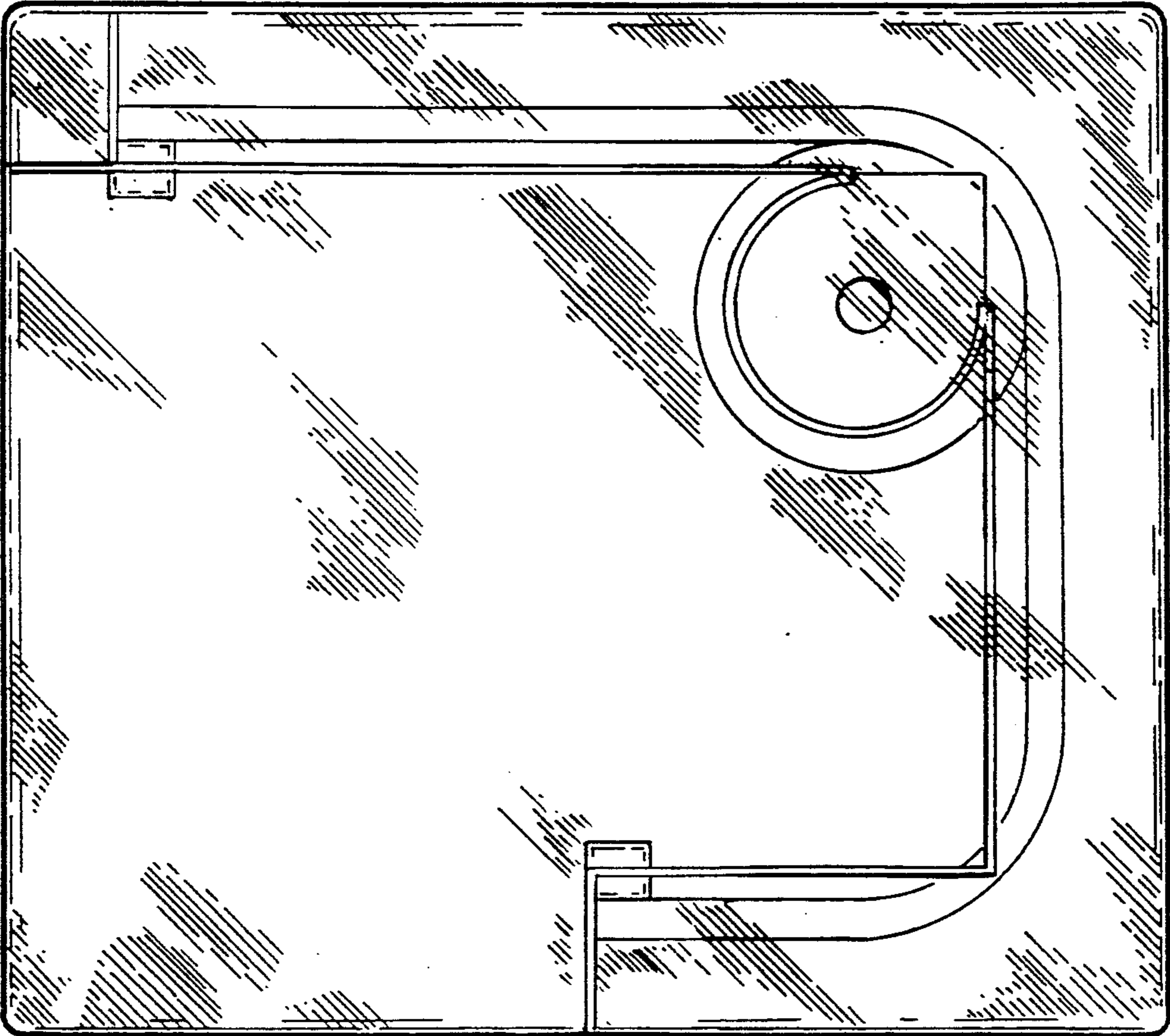


Fig.4

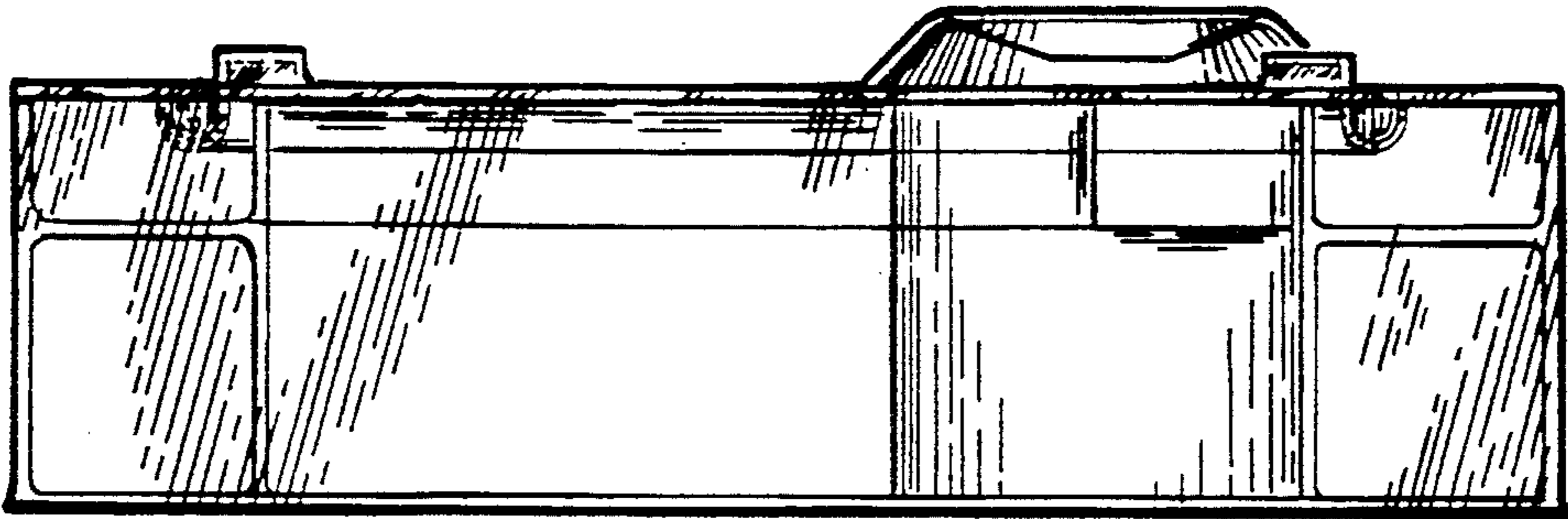


Fig.5

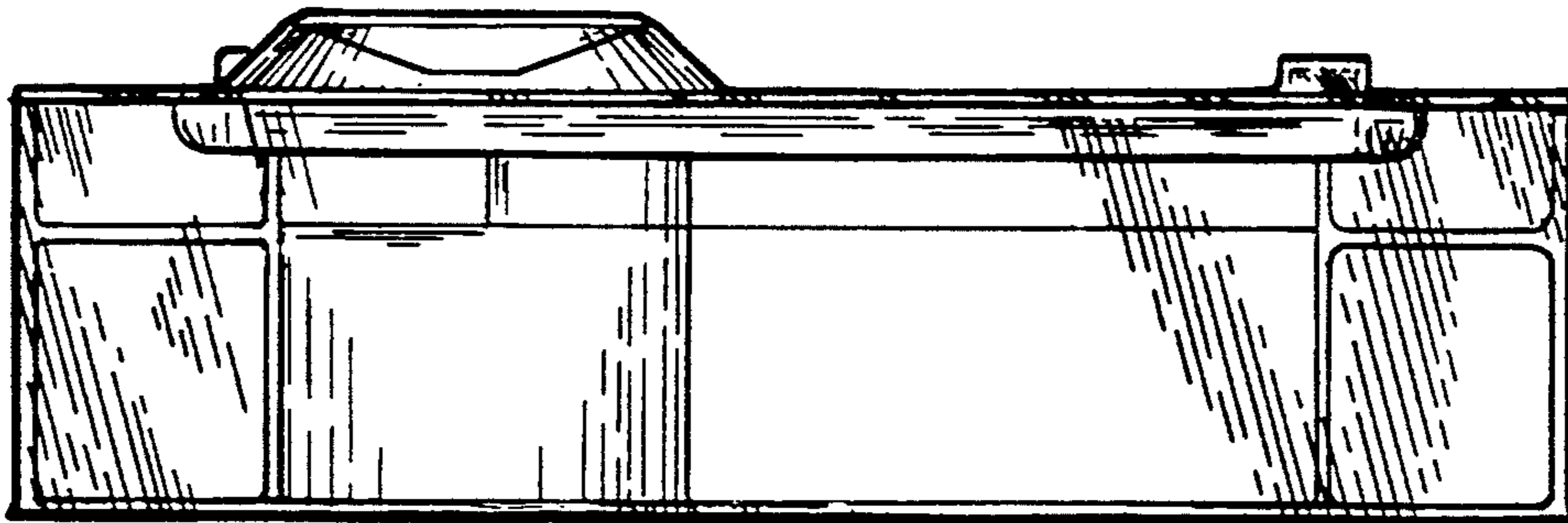


Fig.6

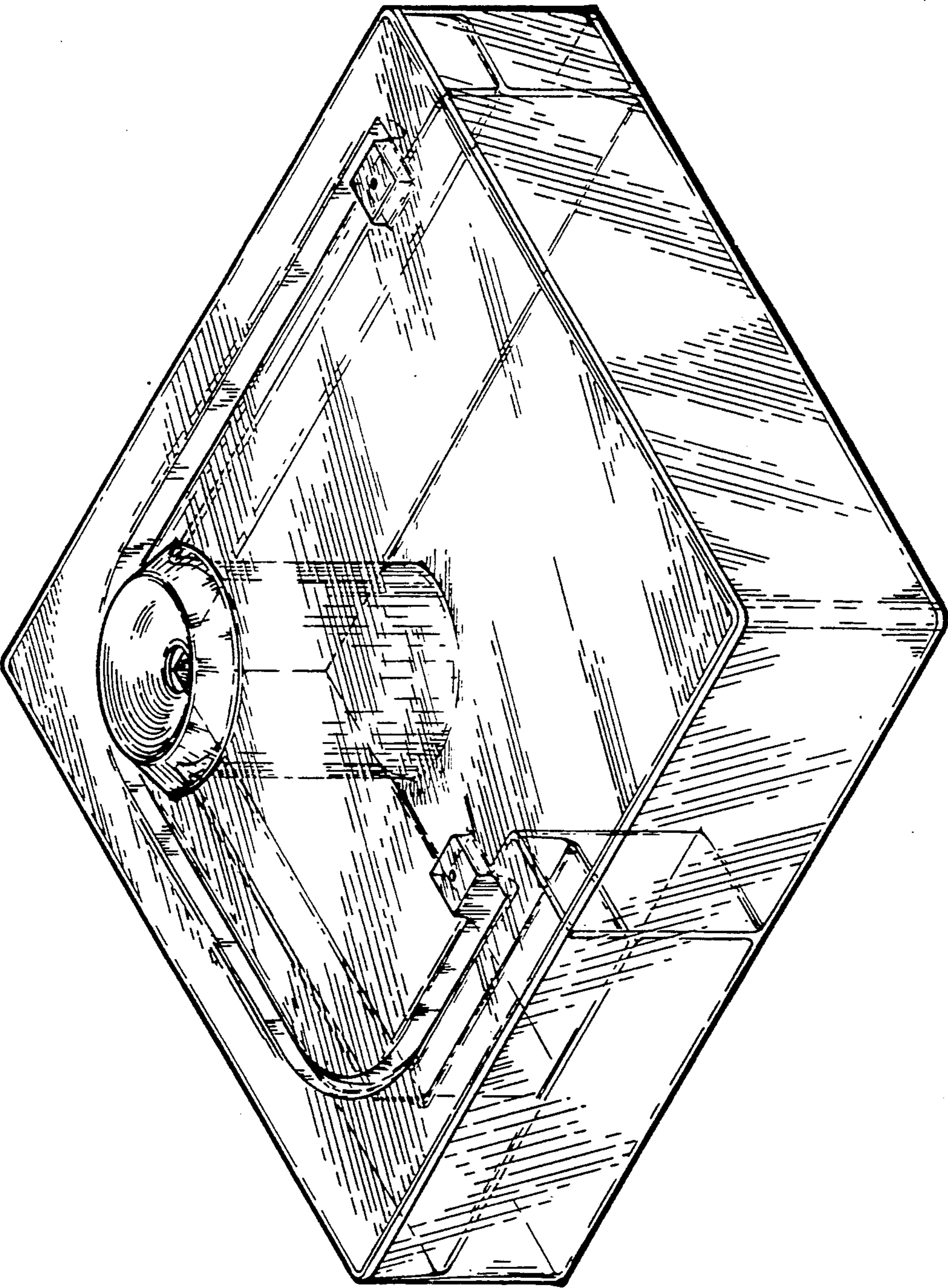


Fig. 7