



US00D329092S

United States Patent [19]

[11] Patent Number: Des. 329,092

Carusillo et al.

[45] Date of Patent: ** Sep. 1, 1992

[54] HANDPIECE HOUSING FOR A SURGICAL DRILL, REAMER, SAGITTAL SAW, OR THE LIKE

[75] Inventors: Steven J. Carusillo, Kalamazoo; Kris D. Eager, Richland; David H. Grulke, Battle Creek, all of Mich.

[73] Assignee: Stryker Corporation, Kalamazoo, Mich.

[**] Term: 14 Years

[21] Appl. No.: 480,079

[22] Filed: Feb. 14, 1990

[52] U.S. Cl. D24/146; D8/68; D8/107

[58] Field of Search D8/29.1, 68, 107, DIG. 7; D24/113, 114, 133, 146, 147; 30/166, 514; 128/330

[56] **References Cited**

U.S. PATENT DOCUMENTS

D. 262,489	12/1981	House, II	D24/146
D. 262,572	1/1982	Rogers	D24/146
D. 269,588	7/1983	Ludwig	D8/107
D. 271,521	11/1983	Ryan et al.	D24/146
D. 282,779	2/1986	Reil	D24/114
D. 288,769	3/1987	Doman	D8/68
4,858,811	8/1989	Brosius et al.	D8/68

OTHER PUBLICATIONS

Zimmer, 1981; p. C15-Celsotome™ Bone Cement Drill.

Polaroid Photograph (FIG. 1) showing comparison between present invention and a Prior Art Handpiece Marketed in the U.S. at least as early as 1983.

Copy of Catalog "System II OrthoPower 90 Battery Powered Instruments" (4 pages numbered 5-8) showing the same Prior Art Handpiece, Specifically System II Handpiece Models 298-92, 298-94, 298-96, 298-98, 298-100, 298-102, 298-104.

Primary Examiner—A. Hugo Word

Assistant Examiner—Celia A. Murphy

Attorney, Agent, or Firm—Flynn, Thiel, Boutell & Tanis

[57] **CLAIM**

The ornamental a handpiece housing for a surgical drill, reamer, sagittal saw, or the like, as shown and described.

DESCRIPTION

FIG. 1 is a perspective view of a handpiece housing for a surgical drill, reamer, sagittal saw or the like showing our new design, the broken lines showing a power tool support and trigger being for illustrative purposes only and forming no part of the claimed design;

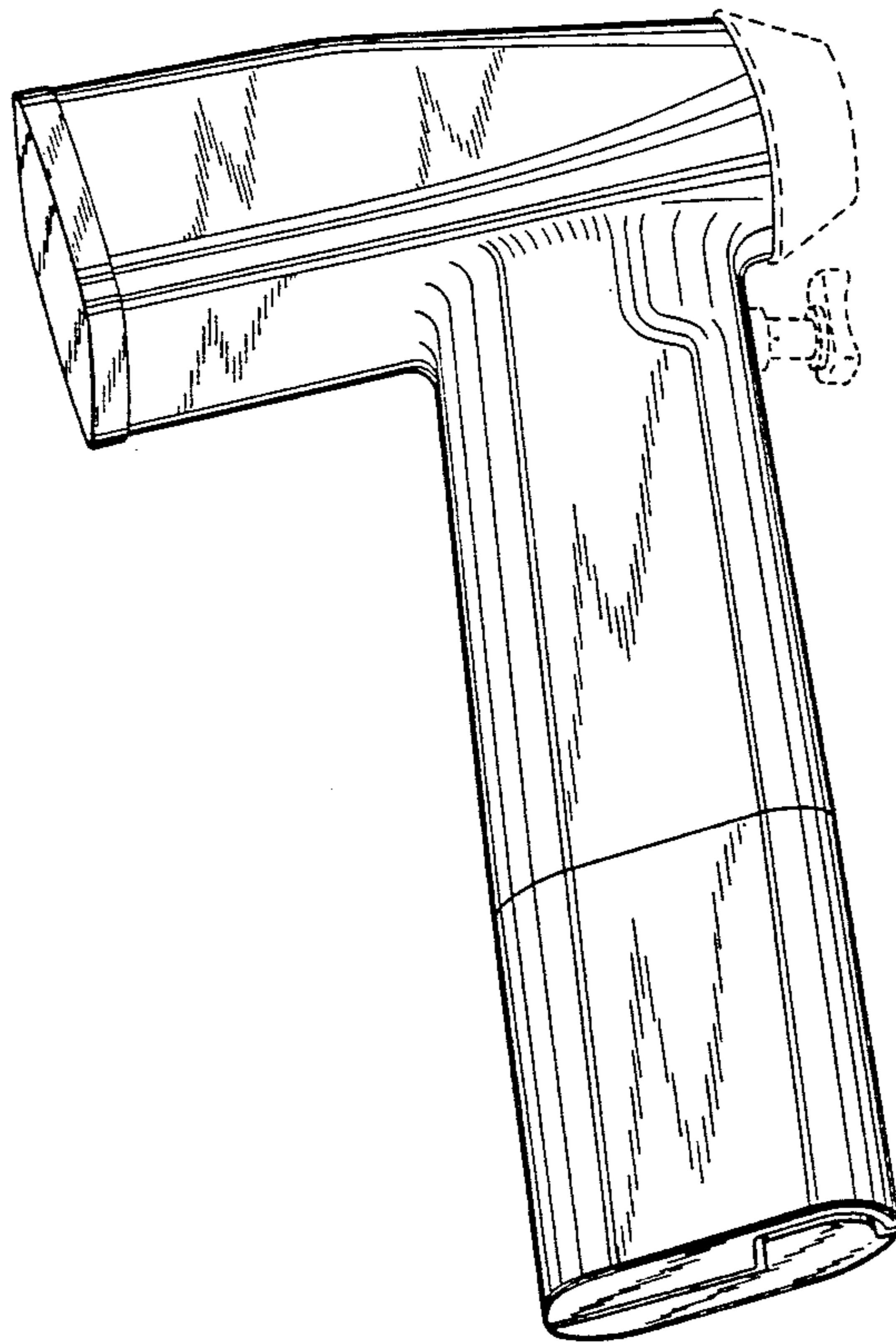
FIG. 2 is an enlarged front elevational view thereof;

FIG. 3 is an enlarged rear elevational view thereof;

FIG. 4 is an enlarged left side elevational view thereof;

FIG. 5 is an enlarged top plan view thereof; and,

FIG. 6 is an enlarged bottom plan view thereof.



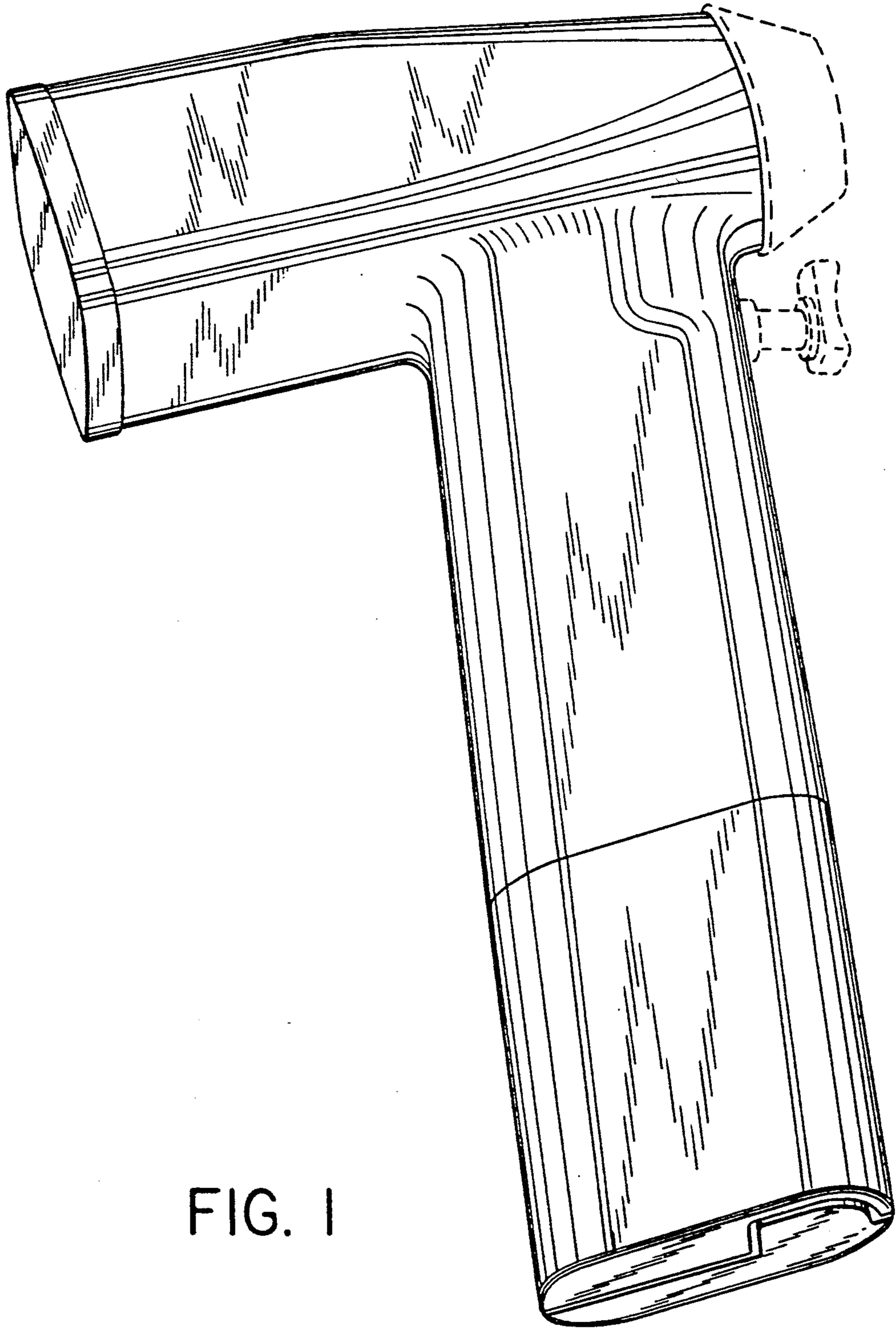


FIG. 1

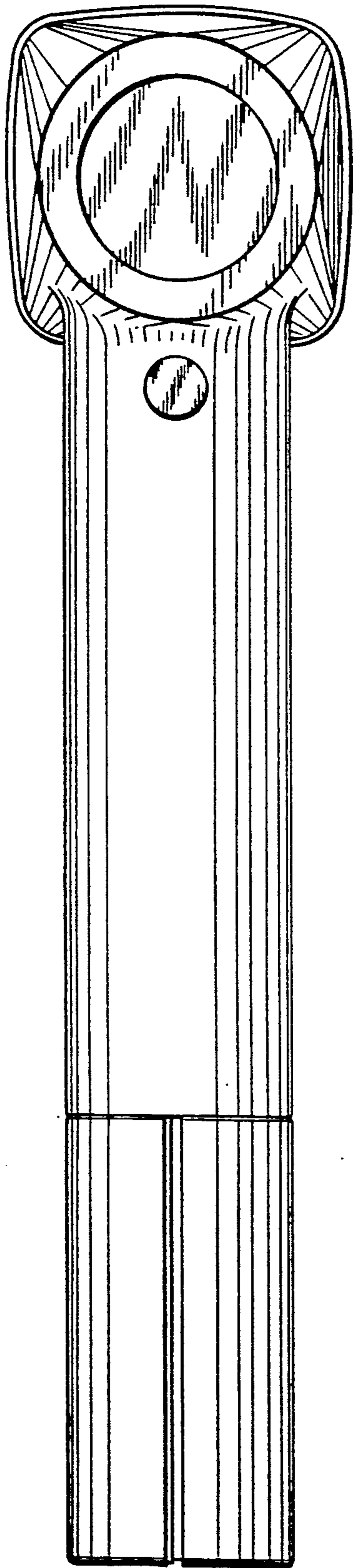


FIG. 2

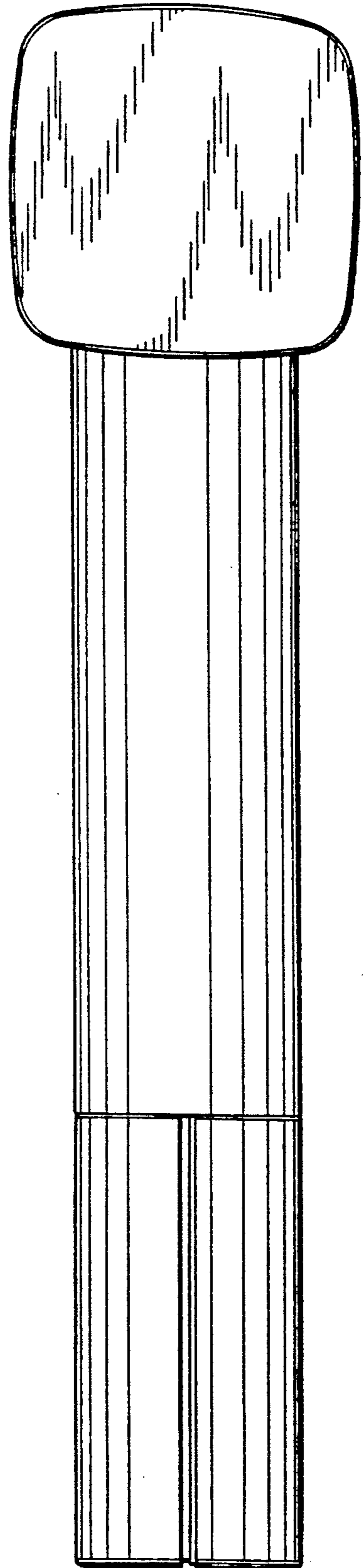


FIG. 3

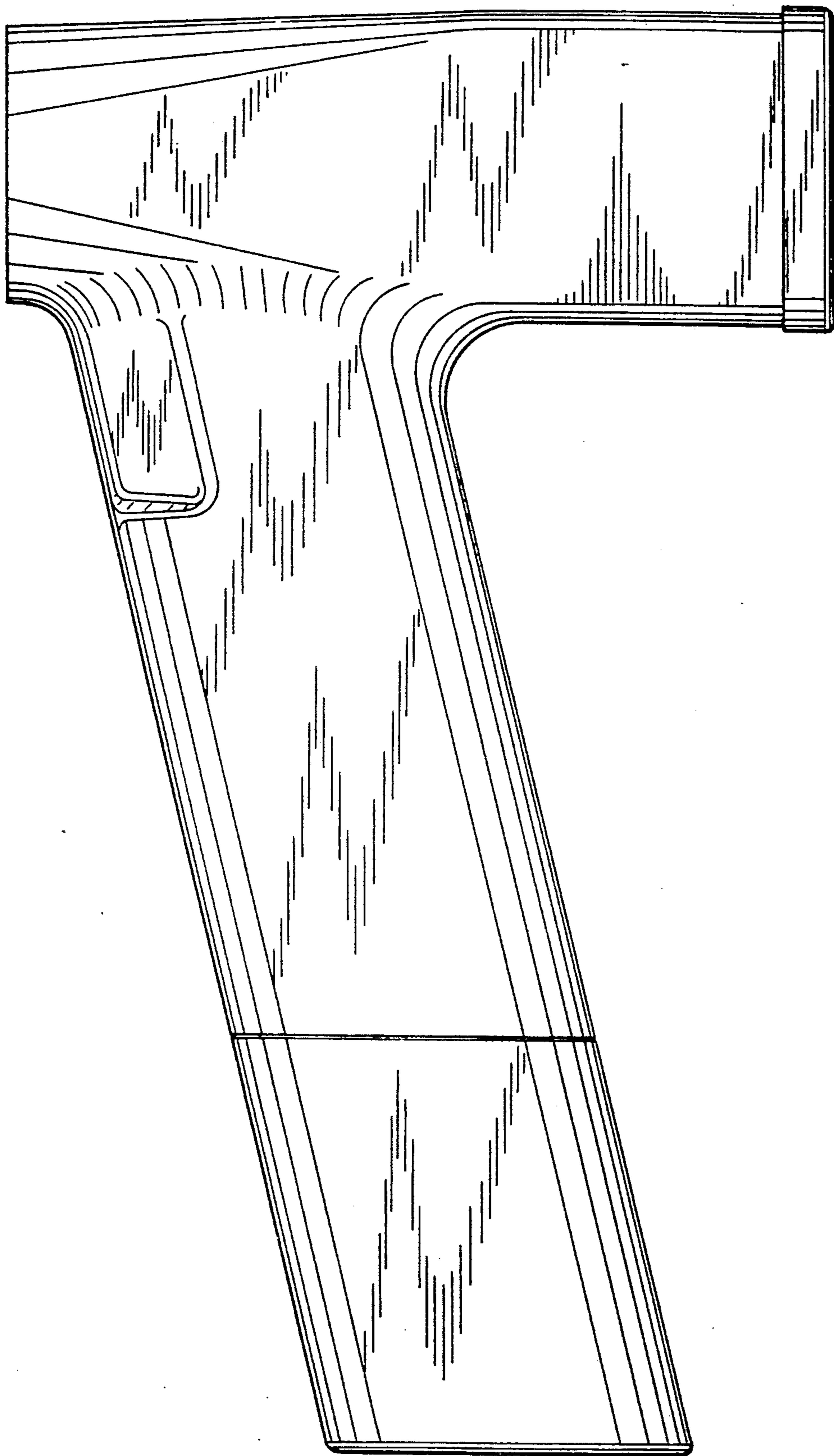


FIG. 4

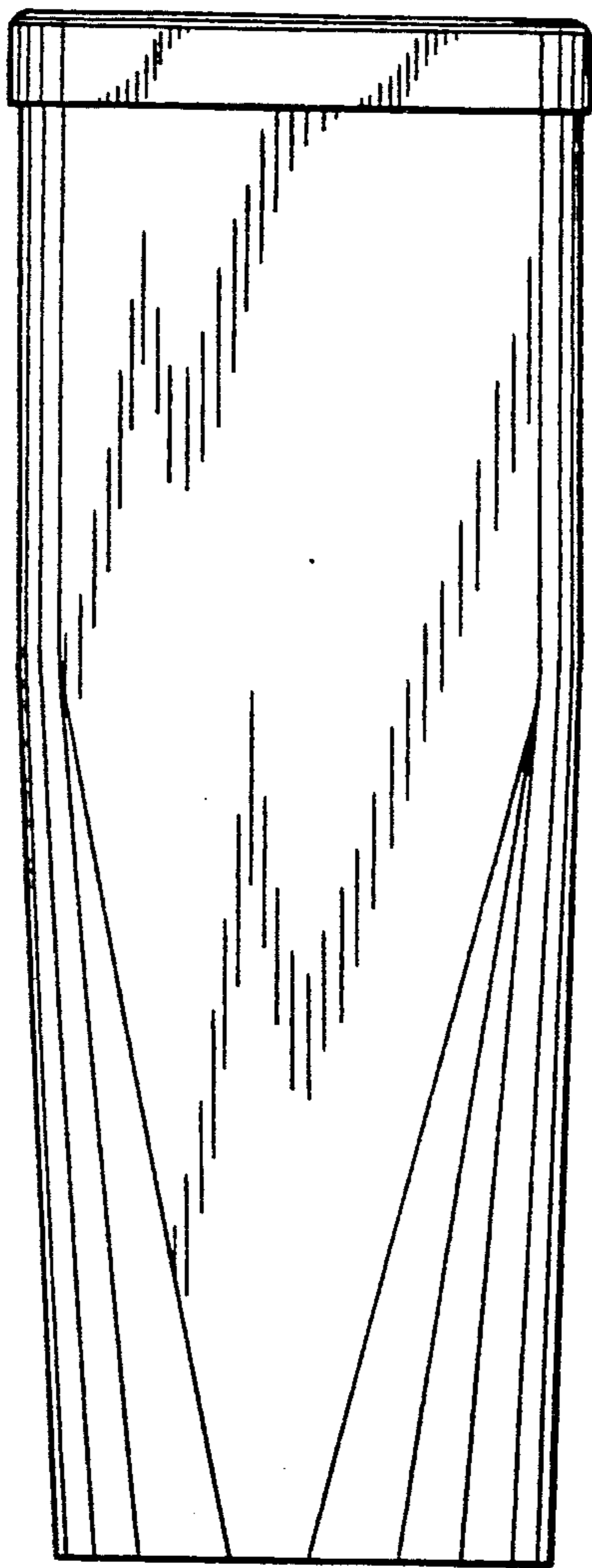


FIG. 5

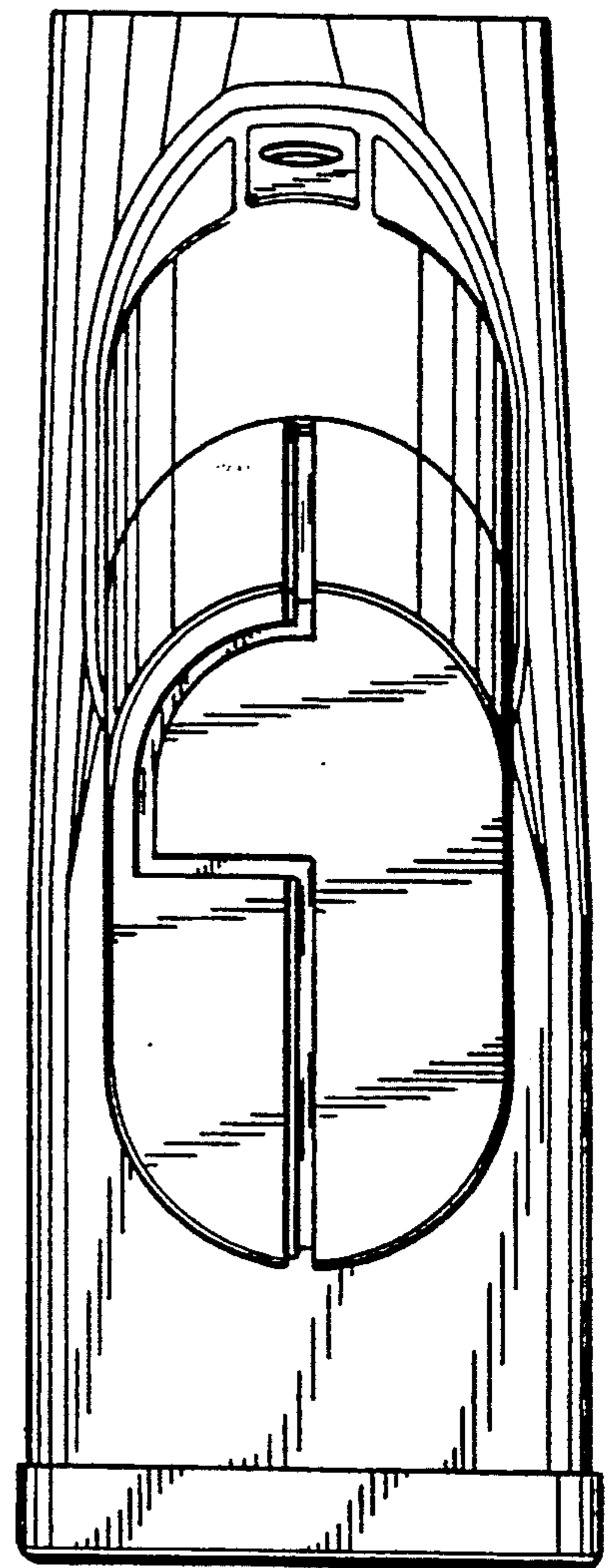


FIG. 6

UNITED STATES PATENT AND TRADEMARK OFFICE
CERTIFICATE OF CORRECTION

PATENT NO. : D 329 092
DATED : September 1, 1992
INVENTOR(S) : Steven J. Carusillo et al.

It is certified that error appears in the above-identified patent and that said Letters Patent is hereby corrected as shown below:

Item [57] CLAIM: line 1, after "ornamental" add
--design for--.
---design for---

Signed and Sealed this
Fifth Day of October, 1993



BRUCE LEHMAN

Commissioner of Patents and Trademarks

Attest:

Attesting Officer