



US00D329091S

United States Patent [19] McWilliams

[11] Patent Number: **Des. 329,091**
[45] Date of Patent: **** Sep. 1, 1992**

[54] **RADIANT STOVE HEATER**
[75] Inventor: **Kevin R. McWilliams,**
Stratford-Upon-Avon, England
[73] Assignee: **Ceramaspeed Limited, Droitwich,**
United Kingdom
[**] Term: **14 Years**
[21] Appl. No.: **339,429**
[22] Filed: **Apr. 17, 1989**

2,161,793 6/1939 Beaucolin 219/464 X
2,550,843 5/1951 McOrily 219/466 X
4,192,284 3/1980 Vacho 126/9 R X
4,508,961 4/1985 McWilliams 219/464 X
4,700,051 4/1985 Goessler et al. .

FOREIGN PATENT DOCUMENTS

1273023 2/1969 United Kingdom .

Primary Examiner—A. Hugo Word
Assistant Examiner—Paula Allen Mortimer
Attorney, Agent, or Firm—Browdy and Neimark

[30] **Foreign Application Priority Data**
Oct. 29, 1988 [GB] United Kingdom 1054649
[52] U.S. Cl. **D23/419**
[58] Field of Search D7/407; 126/9 R;
219/464, 465, 466, 470, 476, 483, 471, 472;
D23/417, 418, 419

[57] **CLAIM**
The ornamental design for a radiant stove heater, as shown and described.

DESCRIPTION

FIG. 1 is a top plan view of a radiant stove heater showing my new design;
FIG. 2 is a side elevational view thereof;
FIG. 3 is a perspective view thereof;
FIG. 4 is a perspective view thereof;
FIG. 5 is a perspective view thereof; and,
FIG. 6 is a sectional view of FIG. 1 thereof.

[56] **References Cited**
U.S. PATENT DOCUMENTS
D. 242,518 11/1976 Walton D7/407
D. 313,466 1/1991 McWilliams D23/417 X

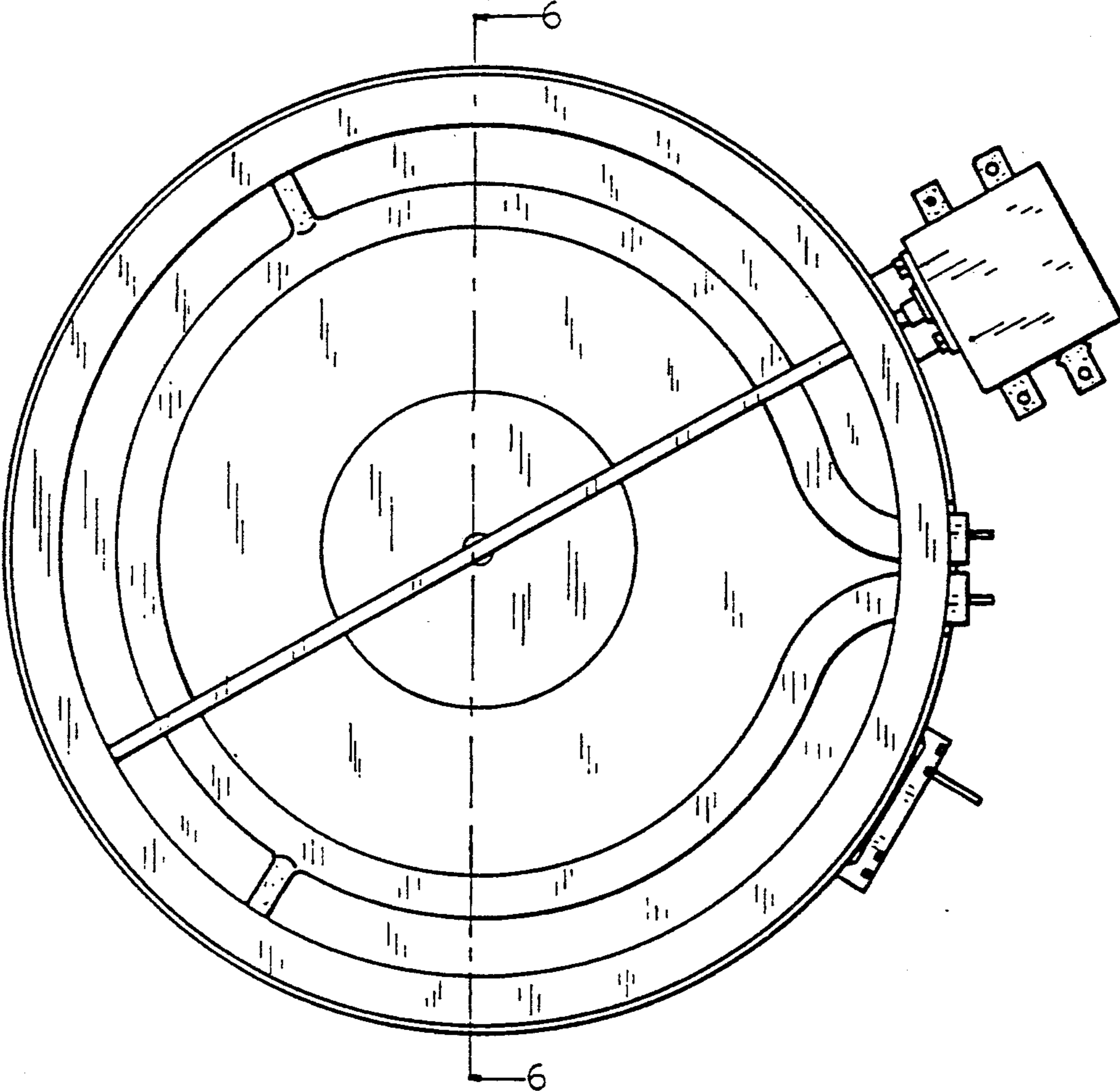


Fig. 1

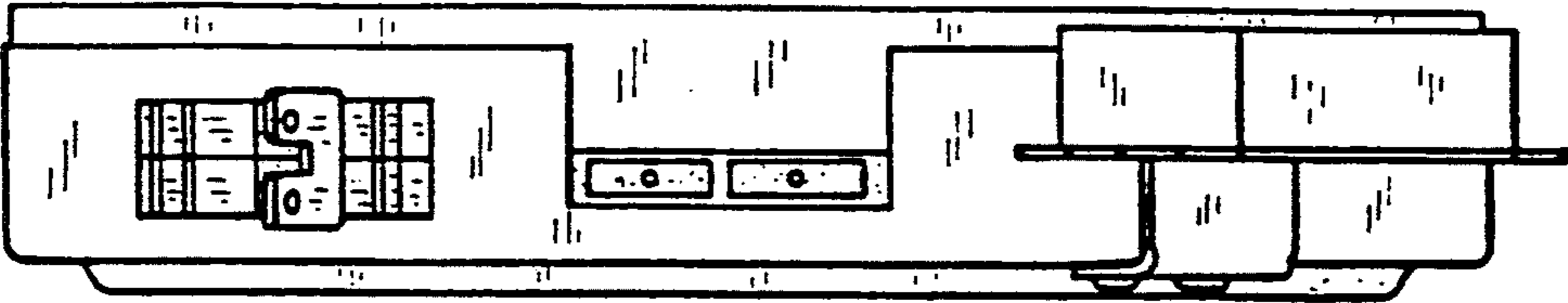


Fig. 2

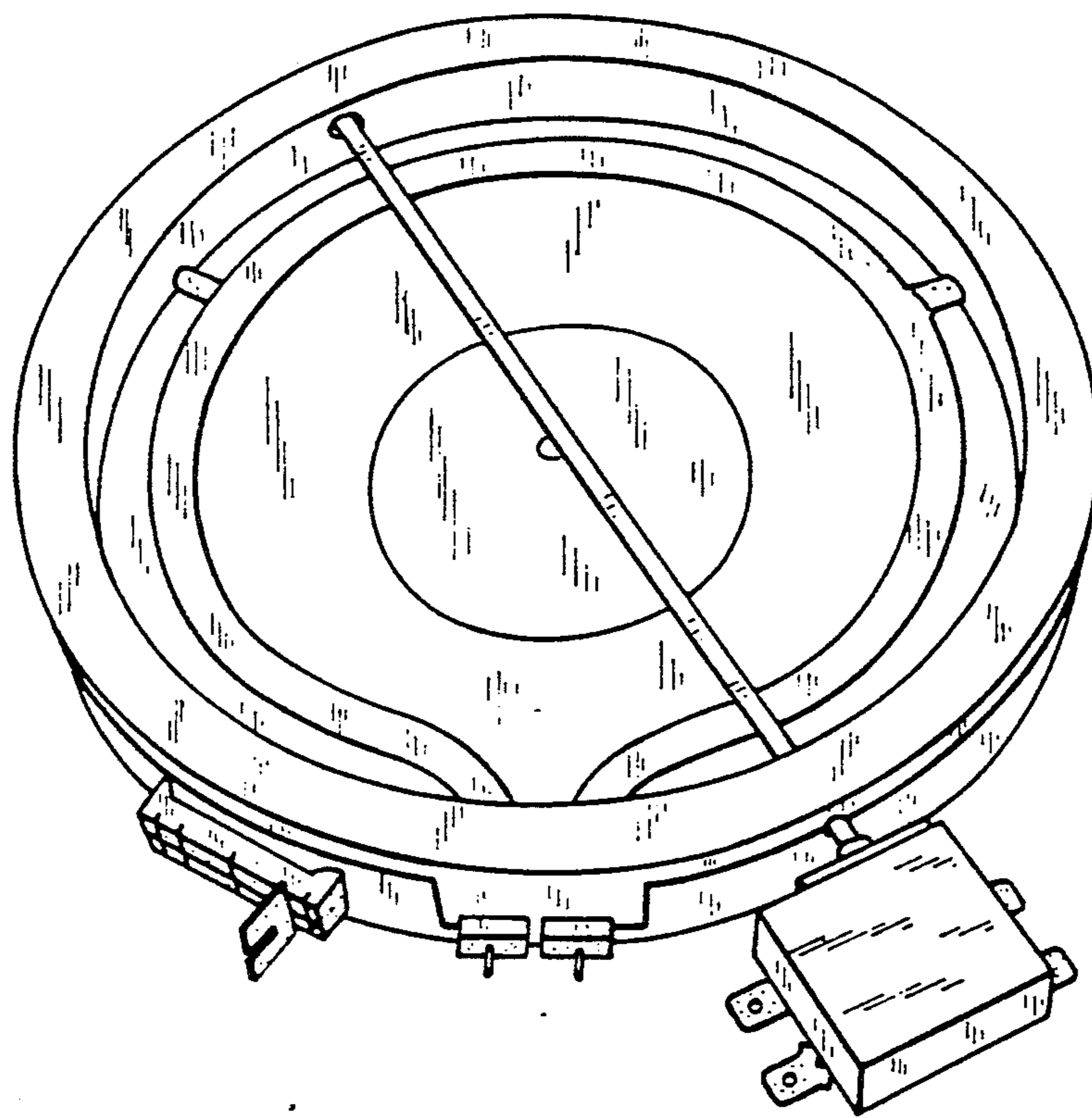


Fig. 3

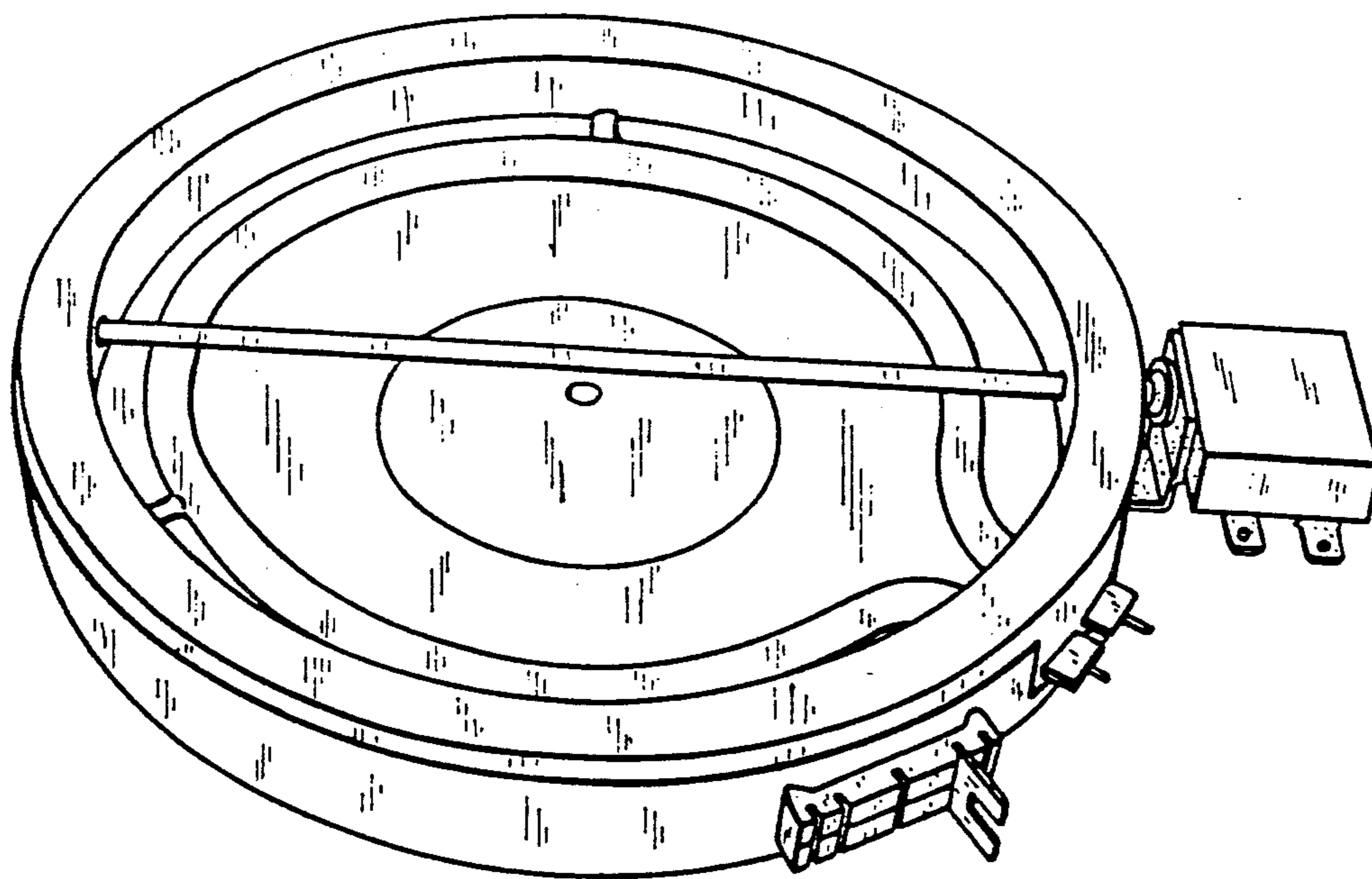


Fig. 4

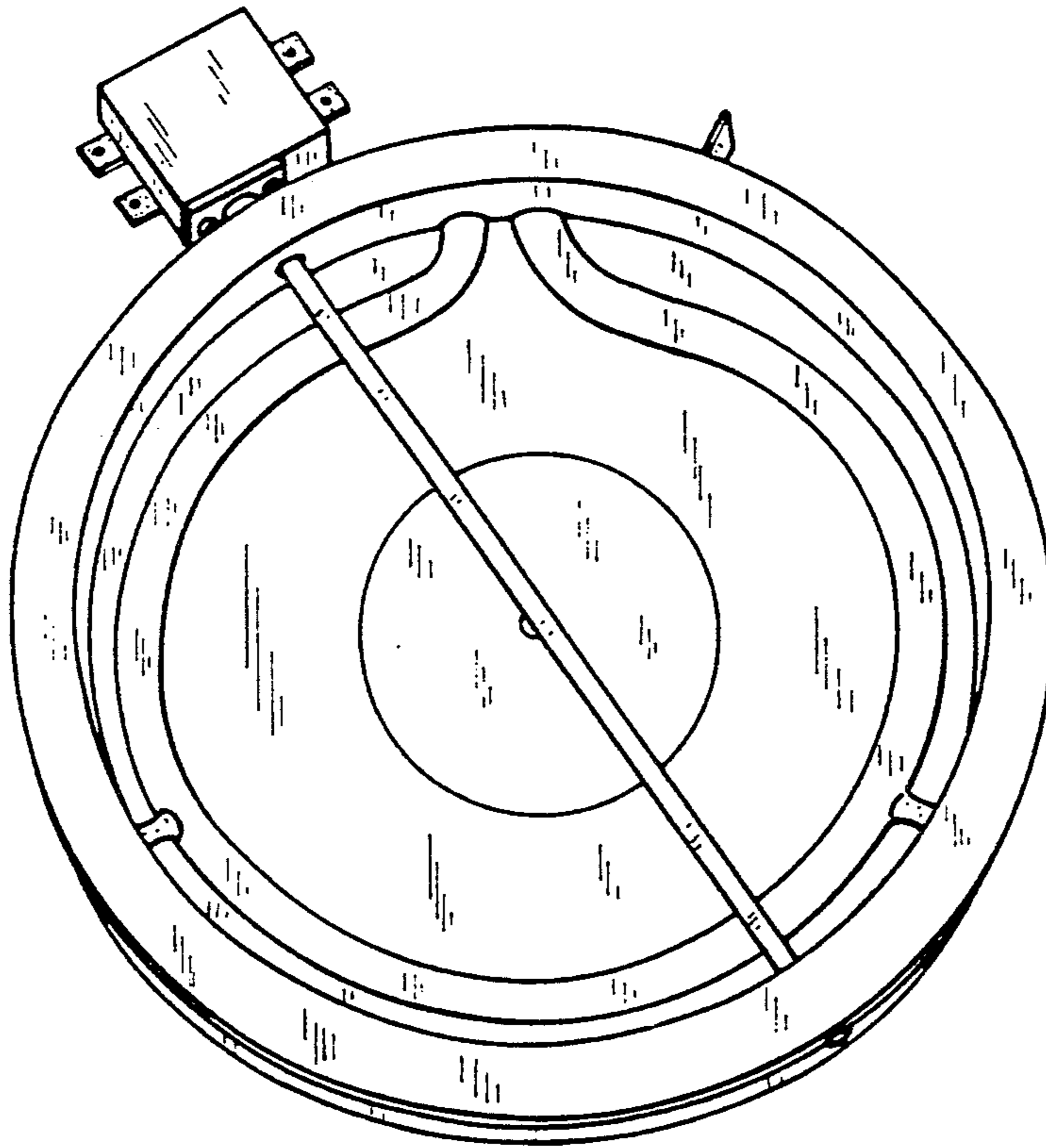


Fig. 5

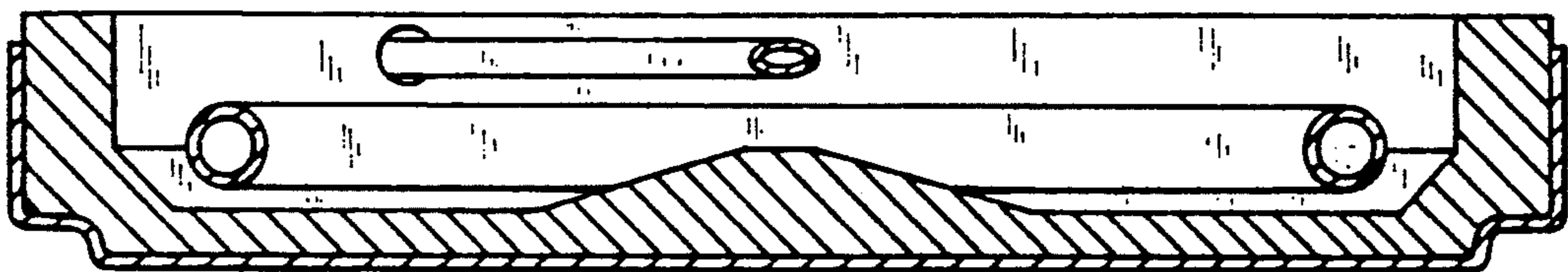


Fig. 6