



US00D329090S

United States Patent [19]

[11] Patent Number: **Des. 329,090**

Vogelzang

[45] Date of Patent: **** Sep. 1, 1992**

[54] EXHAUST COLLAR FOR A WOOD BURNING UNIT

[76] Inventor: **Steven J. Vogelzang**, 555 Bay View Ave., Holland, Mich. 49423

[**] Term: **14 Years**

[21] Appl. No.: **615,658**

[22] Filed: **Nov. 19, 1990**

[52] U.S. Cl. **D23/392**

[58] Field of Search **D23/392, 347, 403, 405, D23/406, 342, 343, 344, 346, 350, 409; 126/289, 290, 292; 294/12**

[56] References Cited

U.S. PATENT DOCUMENTS

89,179	4/1869	Spear	126/292
231,625	8/1880	Sheppard	126/289
880,150	2/1908	Lyman	126/292
1,604,219	10/1926	Coventry	126/292
2,126,201	8/1938	McCall	294/12
2,149,565	3/1939	Anderson	126/292
4,263,890	4/1981	Turko et al.	126/292

OTHER PUBLICATIONS

Sand Hill 1984 Cat., p. 44, Cast Iron Damper, top left side of page.

Woodstone and Fireplace Brochures Box I.

Primary Examiner—Wallace R. Burke

Assistant Examiner—Lisa Lichtenstein

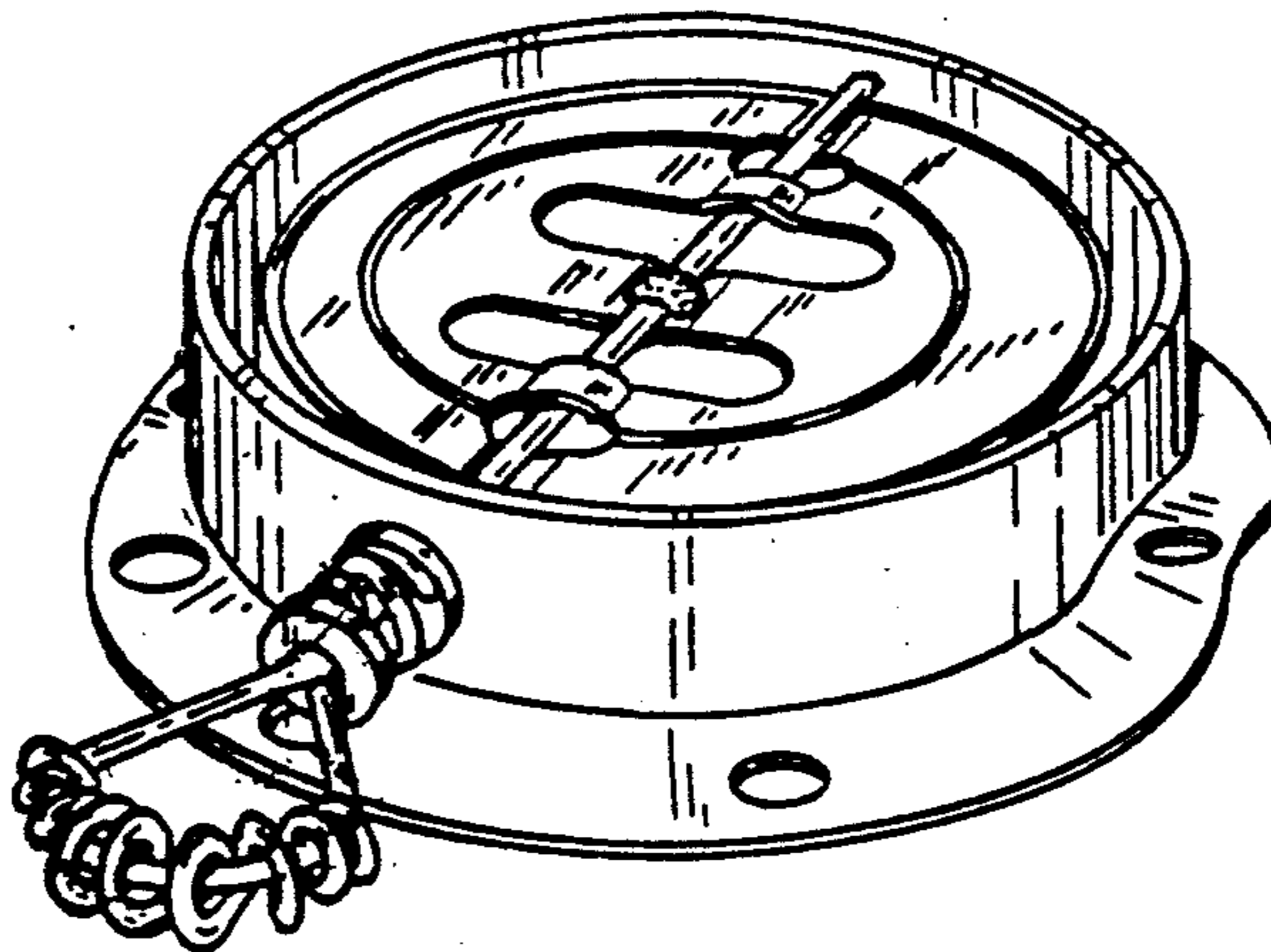
Attorney, Agent, or Firm—Price, Heneveld, Cooper, DeWitt & Litton

[57] CLAIM

The ornamental design for a collar for a wood burning unit, as shown and described.

DESCRIPTION

FIG. 1 is a top, front perspective view of an exhaust collar for a wood burning unit showing my new design; FIG. 2 is a rear elevation view thereof; FIG. 3 is a side elevation view thereof, the opposite side being a mirror image of that shown; FIG. 4 is a bottom plan view thereof; FIG. 5 is a top plan view thereof; and, FIG. 6 is a front elevation view thereof, the opposite side being a mirror image of that shown.



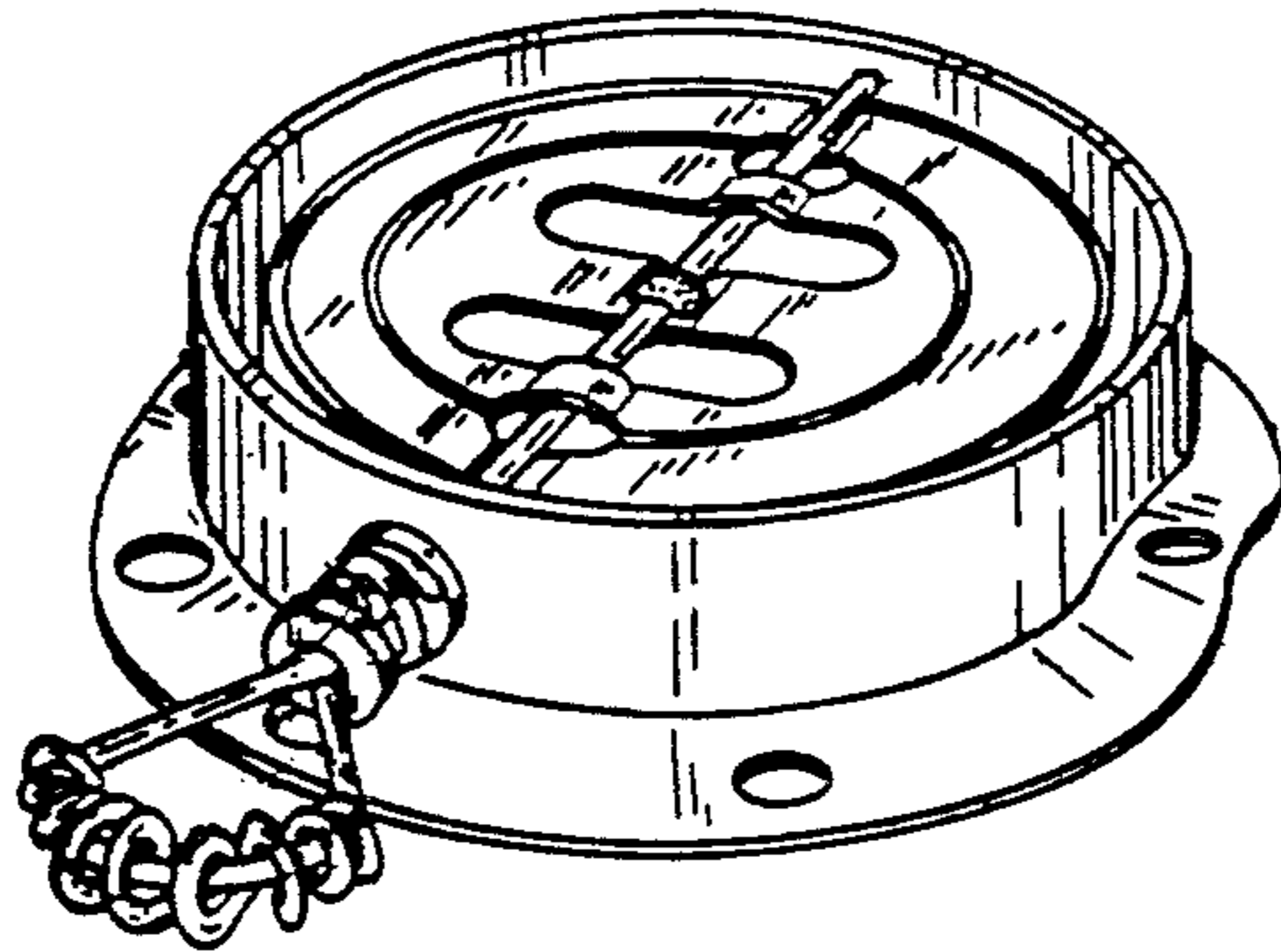


FIG. 1

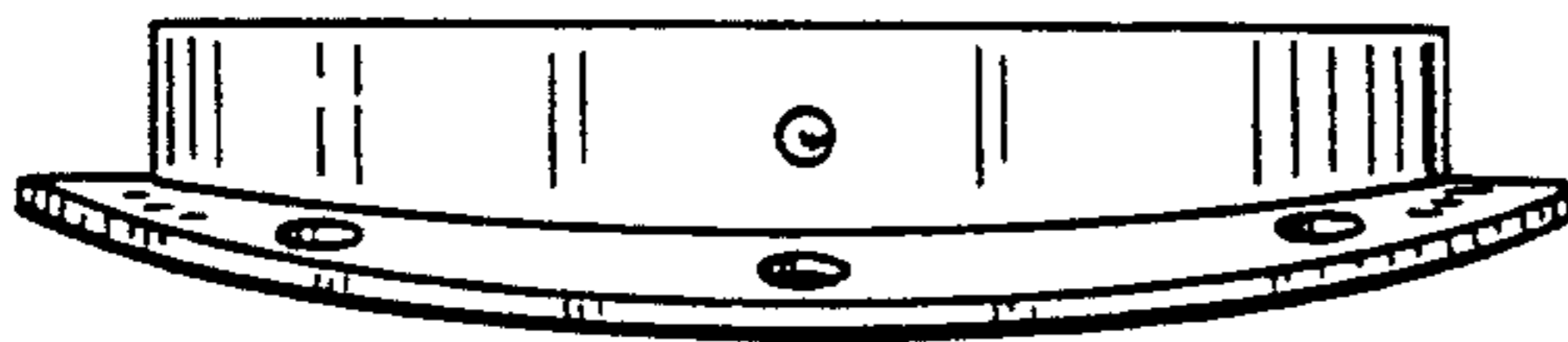


FIG. 2



FIG. 6

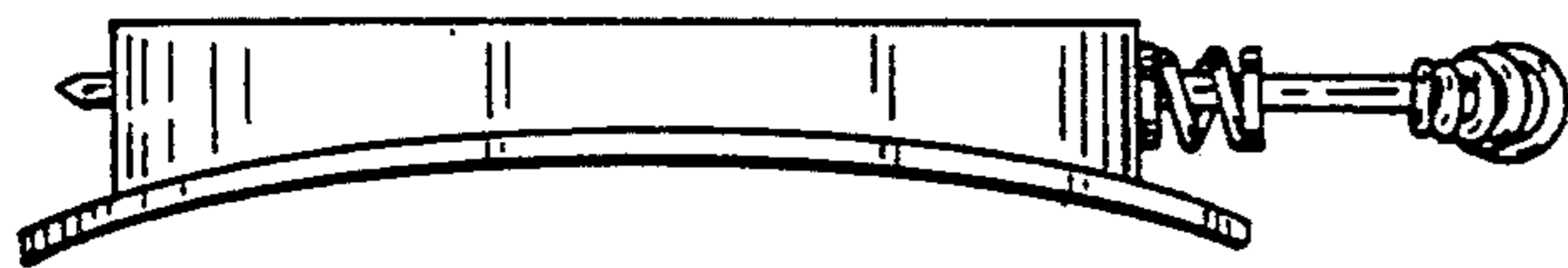


FIG. 3

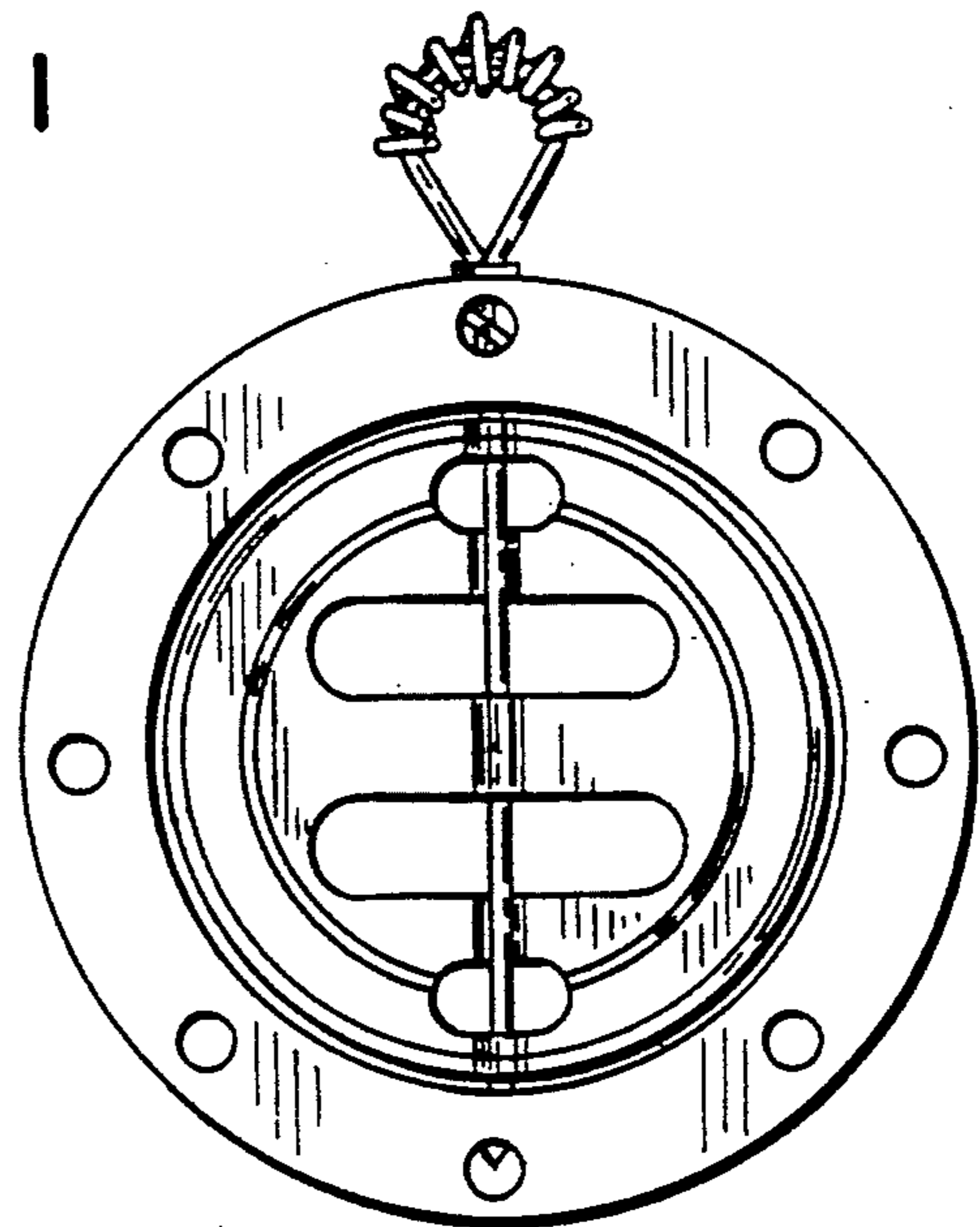


FIG. 4

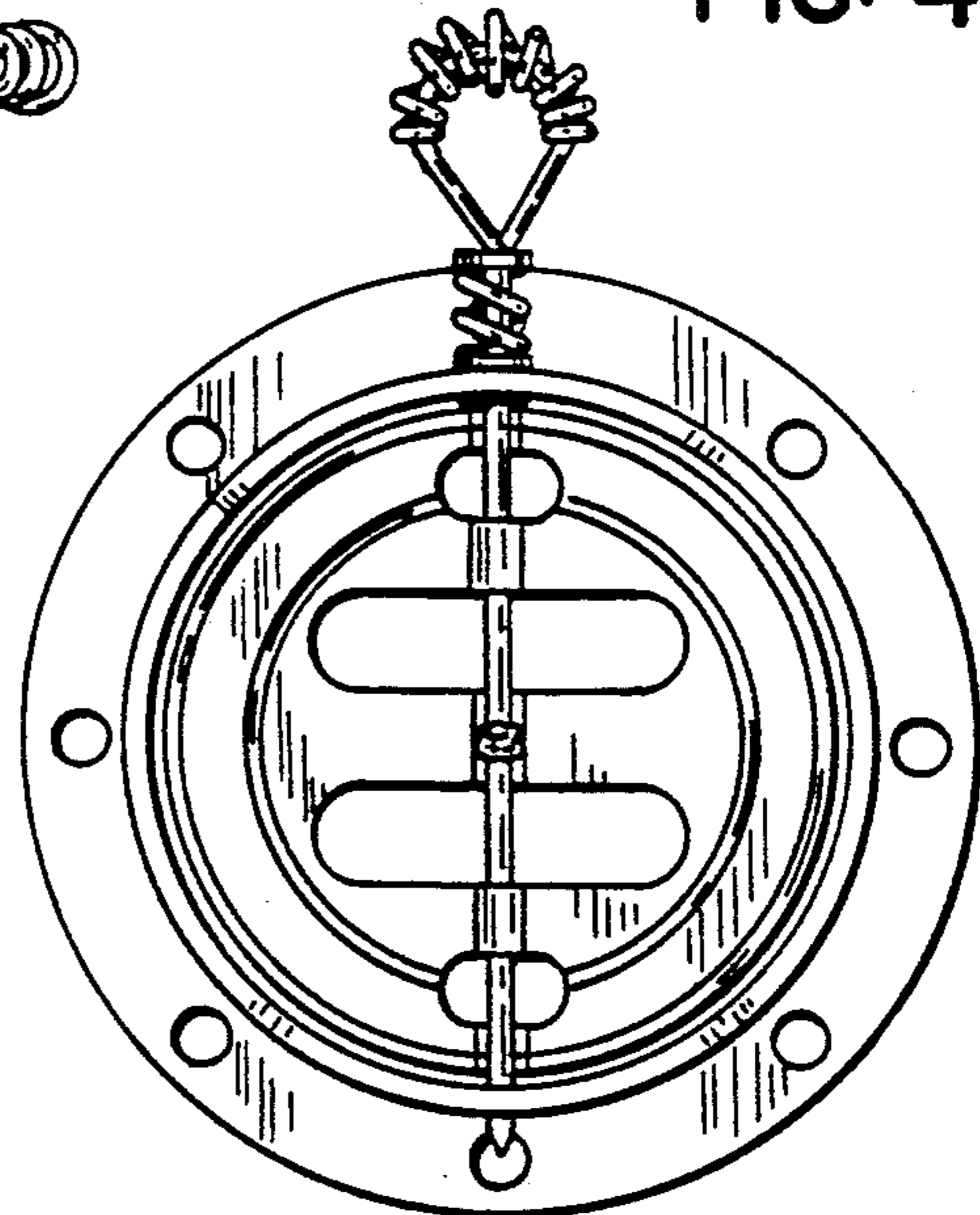


FIG. 5