



US00D329082S

United States Patent [19]

[11] Patent Number: **Des. 329,082**

Rosenberg

[45] Date of Patent: **** Sep. 1, 1992**

[54] FAUCET

[76] Inventor: **Alan Rosenberg, 3001 Redhill Bldg. 5 #108/145, Costa Mesa, Calif. 92626**

[**] Term: **14 Years**

[21] Appl. No.: **179,917**

[22] Filed: **Apr. 11, 1988**

[52] U.S. Cl. **D23/238**

[58] Field of Search **D23/238-243, D23/250-257; 4/191, 192; 137/801**

D. 250,607	12/1979	Haug	D23/238
D. 281,095	10/1985	Arnold et al.	D23/238
D. 290,492	6/1987	Hill et al.	D23/238
4,573,493	3/1986	Hammarsteat	137/801 X
4,607,659	8/1986	Cole	137/801 X

Primary Examiner—James R. Largen
Attorney, Agent, or Firm—Price, Gess & Ubell

[57] **CLAIM**

The ornamental design for a faucet, as shown.

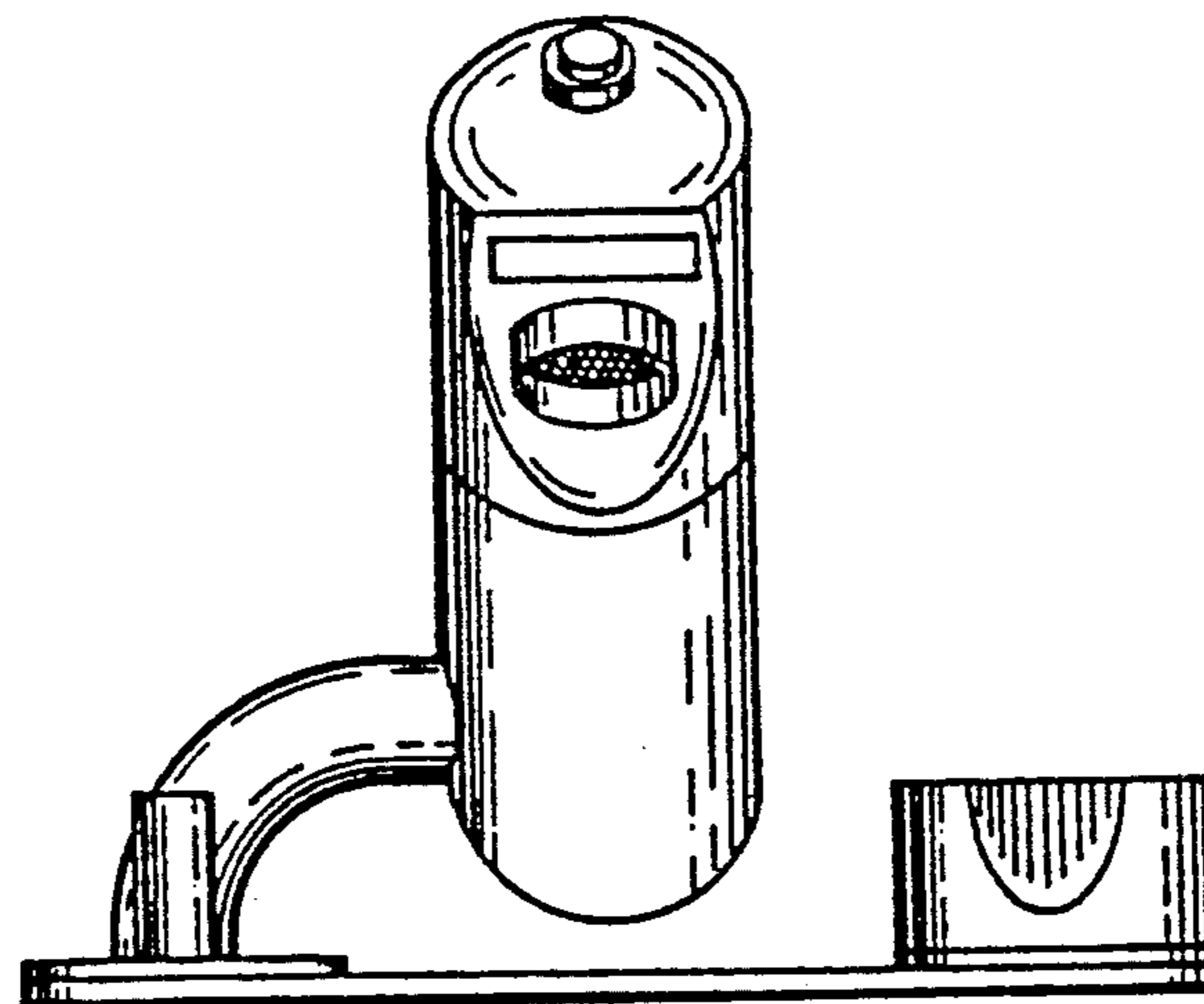
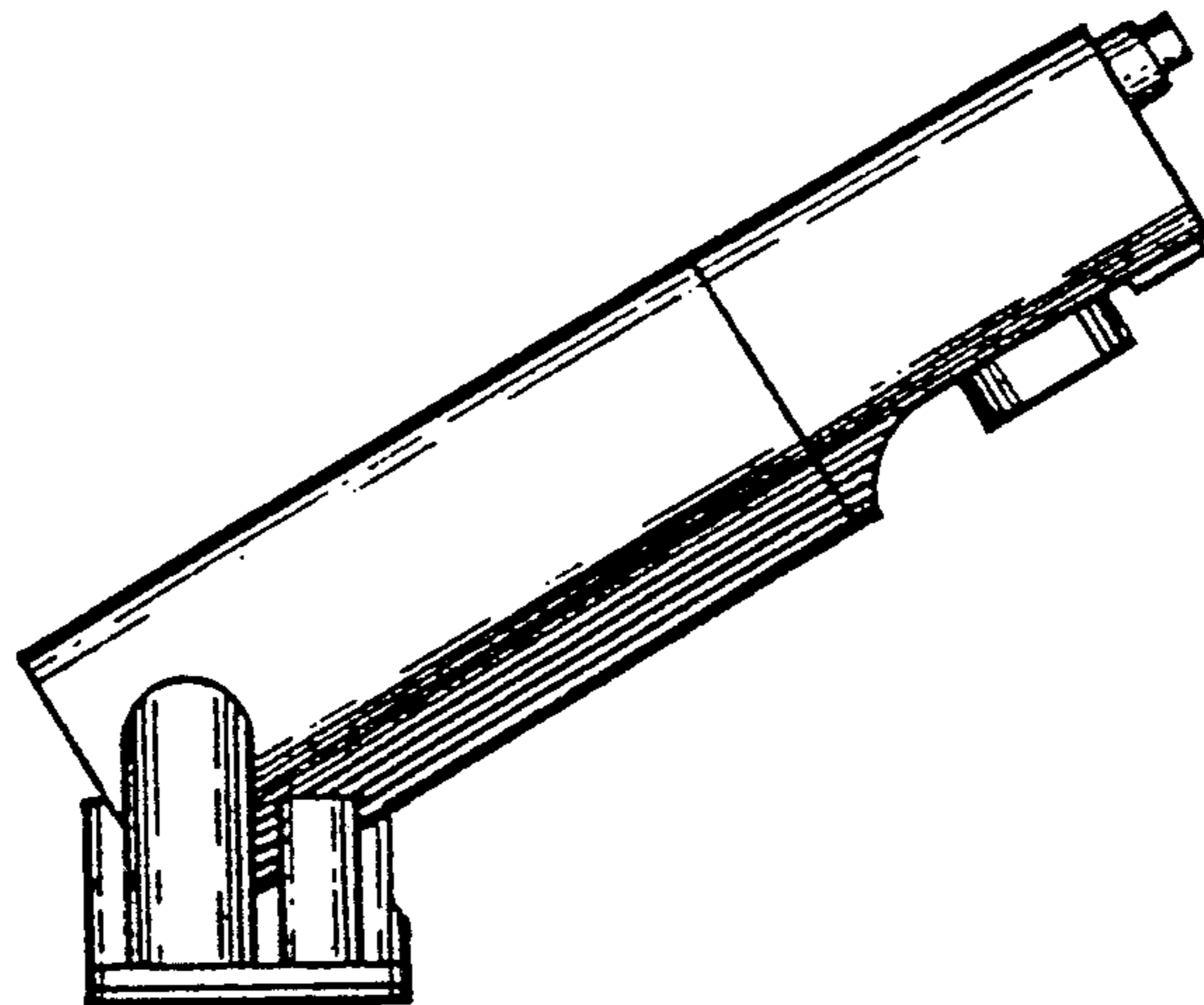
DESCRIPTION

FIG. 1 is a left side elevational view of a faucet showing my new design;
 FIG. 2 is a front view thereof;
 FIG. 3 is a top view thereof;
 FIG. 4 is a left side elevational view of a second embodiment thereof;
 FIG. 5 is a front elevational view of FIG. 4; and,
 FIG. 6 is a top plan view of FIG. 4.

[56] **References Cited**

U.S. PATENT DOCUMENTS

D. 183,672	10/1958	Barker	D23/238
D. 205,253	7/1966	Russell	D23/238 X
D. 220,101	3/1971	Brown et al.	D23/238
D. 227,761	7/1973	Arbon	D23/238
D. 237,385	10/1975	Gustafsson	D23/241
D. 250,272	11/1978	Jones	D23/241



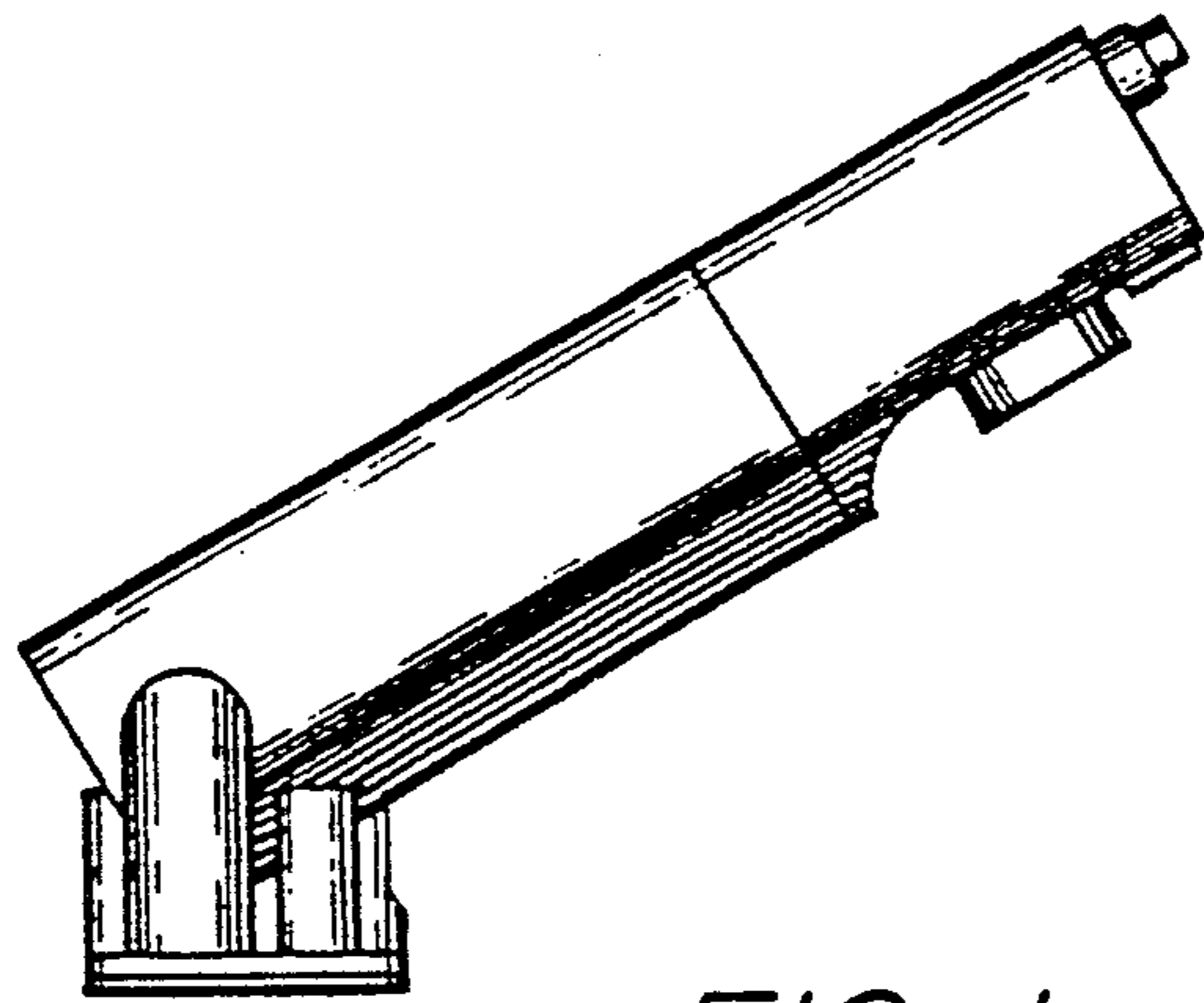


FIG. 1

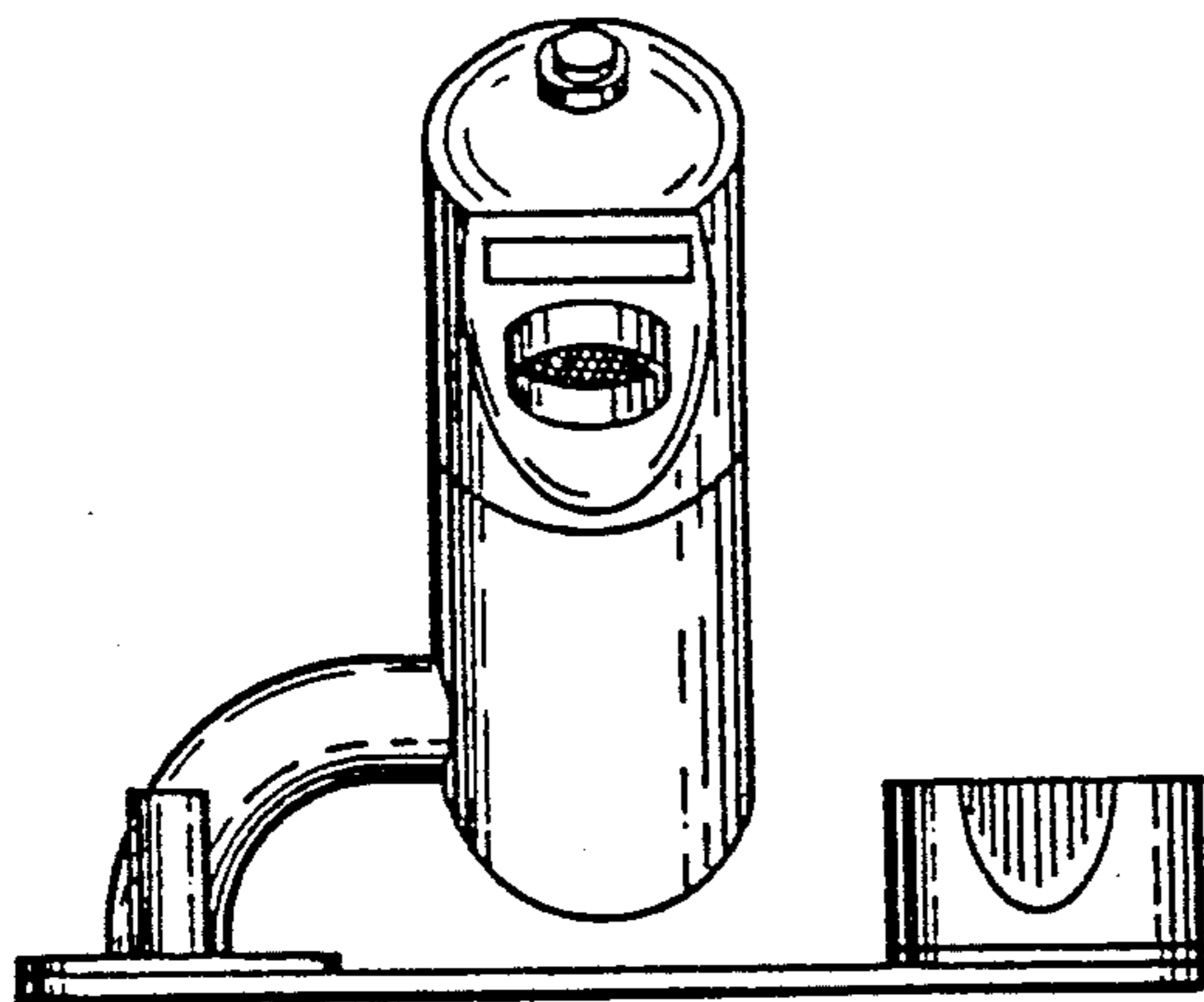


FIG. 2

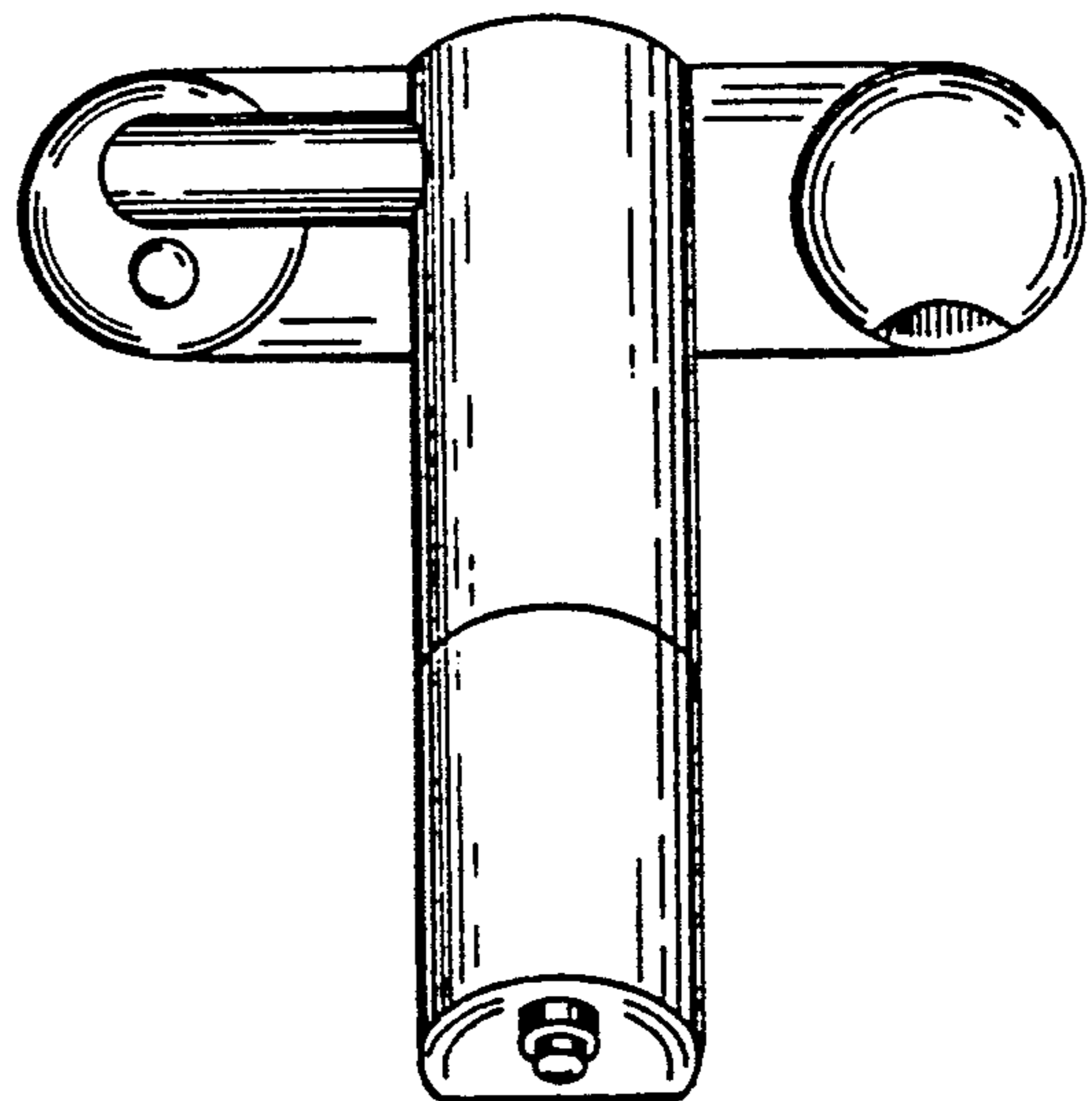


FIG. 3

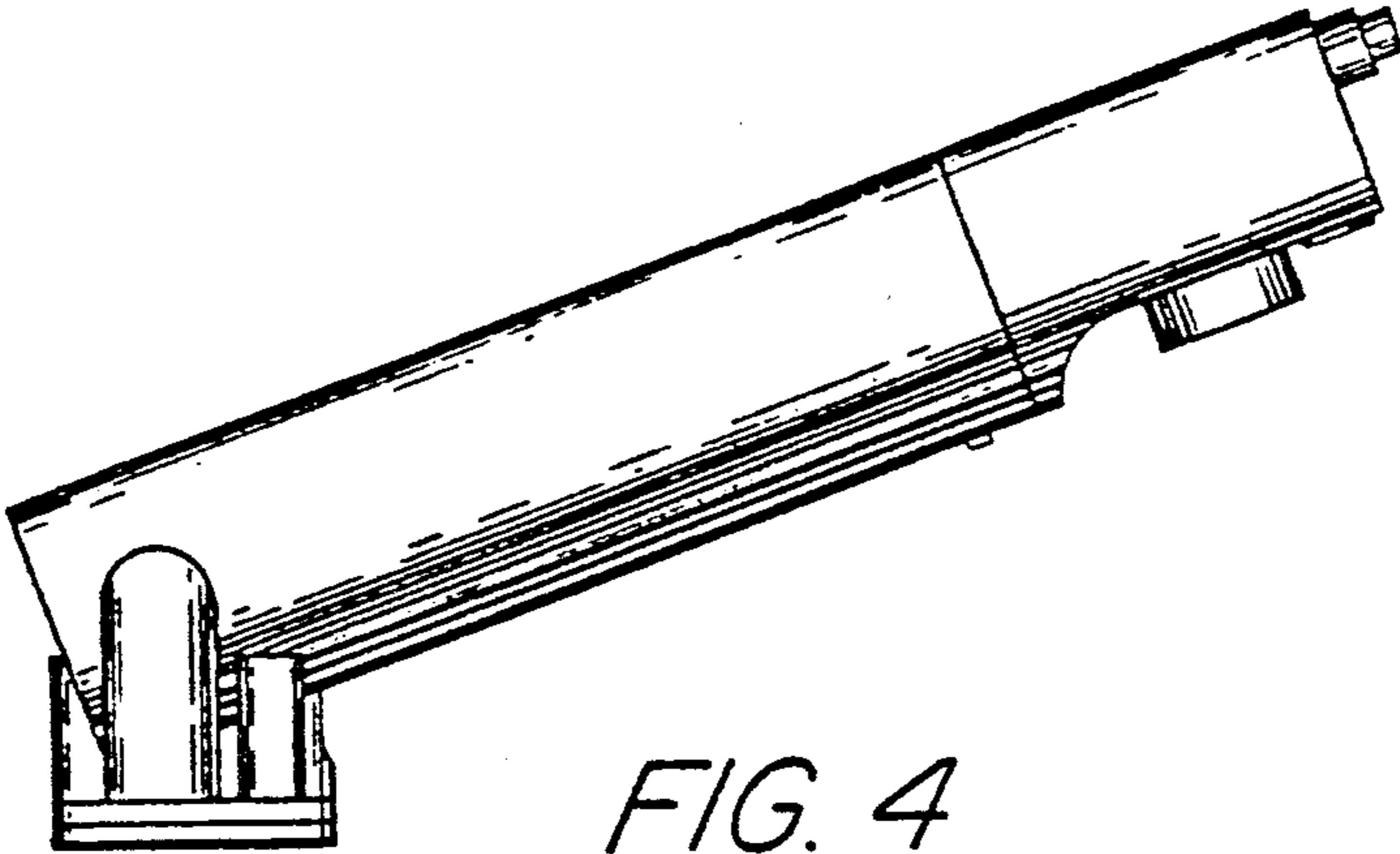


FIG. 4

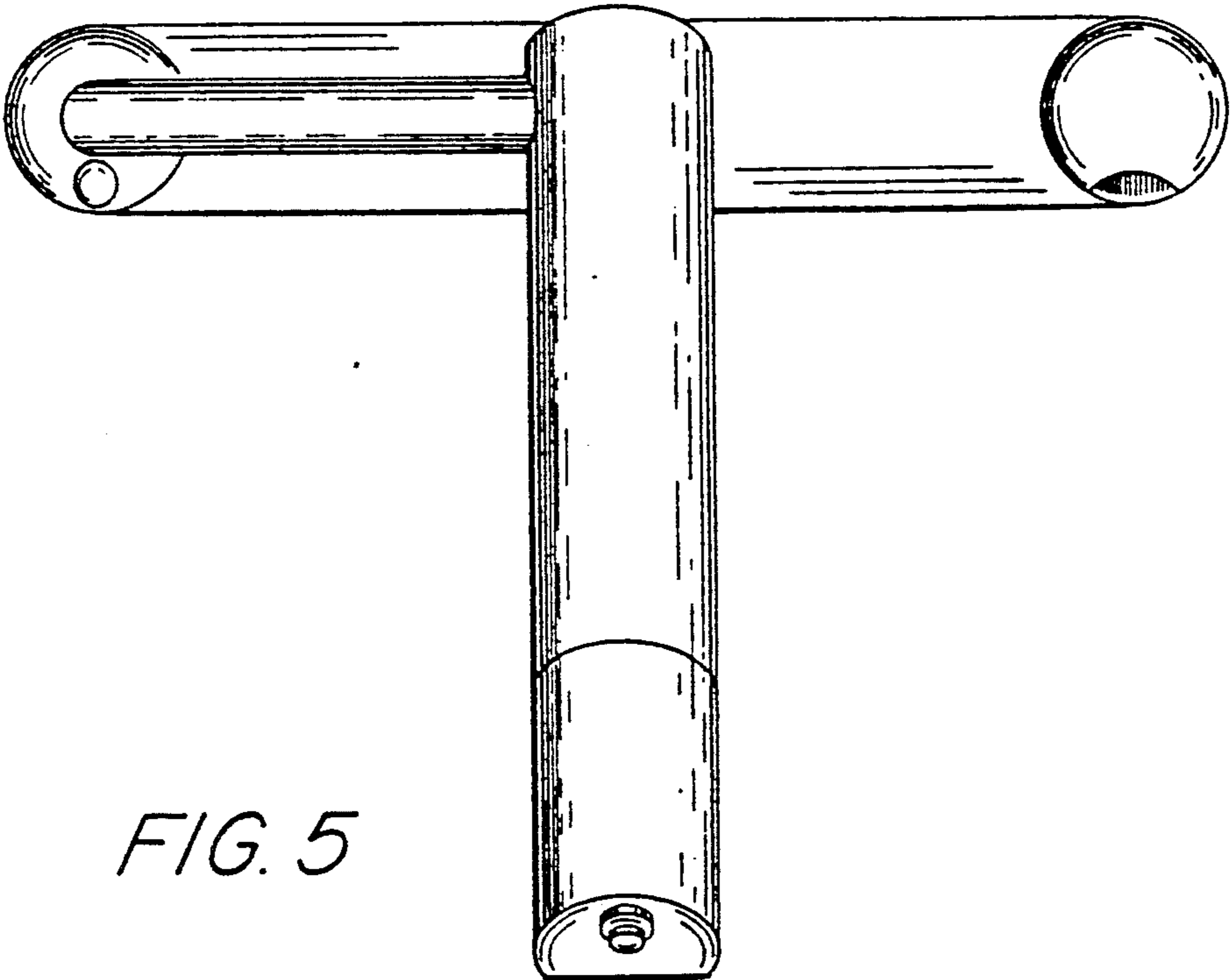


FIG. 5

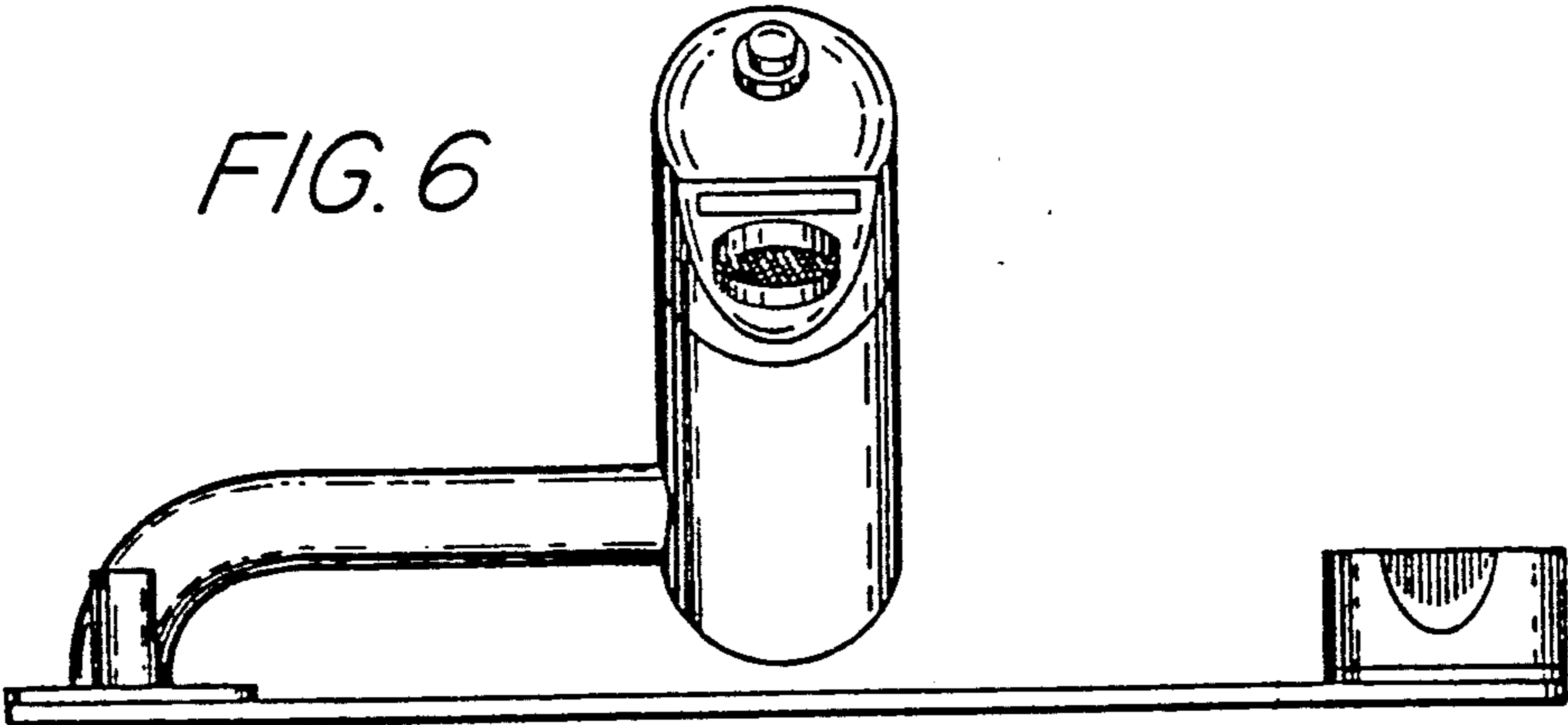


FIG. 6