



US00D329081S

United States Patent [19]

[11] Patent Number: **Des. 329,081**

Jonasson et al.

[45] Date of Patent: **** Sep. 1, 1992**

[54] **MOBILE ELECTROSTATIC AIR FILTER FOR USE IN WELDING PROJECTS**

[56] **References Cited**

[75] Inventors: **Alf I. S. Jonasson, Hyllinge; Per N. Hedlund, Helsingborg, both of Sweden**

U.S. PATENT DOCUMENTS

2,144,157	1/1939	Jorgenson	210/153 X
3,355,026	11/1967	Schut	210/448 X
3,358,839	12/1967	Simons	210/448 X
4,976,850	12/1990	Kulitz	210/416.1 X

[73] Assignee: **AB Ph. Nederman & Co., Sweden**

Primary Examiner—Susan J. Lucas
Assistant Examiner—M. H. Tung
Attorney, Agent, or Firm—Bacon & Thomas

[**] Term: **14 Years**

[21] Appl. No.: **597,751**

[57] CLAIM

[22] Filed: **Oct. 15, 1990**

The ornamental design for a mobile electrostatic air filter, as shown and described.

[30] Foreign Application Priority Data

Jul. 16, 1990 [SE] Sweden 90-1545

[52] U.S. Cl. **D23/209**

[58] Field of Search D23/207-210;
210/97, 198.1, 205-206, 231, 244-246,
257.1-257.2, 258, 260-261, 282, 287-288,
289-290, 295, 321.6, 321.78, 416.3, 443-449,
153, 167, 171-172, 416.1, 473

DESCRIPTION

FIG. 1 is a right side elevational view of a mobile electrostatic air filter showing our new design; FIG. 2 is a left side elevational view thereof; FIG. 3 is a front elevational view thereof; FIG. 4 is a rear elevational view thereof; FIG. 5 is a top plan view thereof; and, FIG. 6 is a bottom plan view thereof.

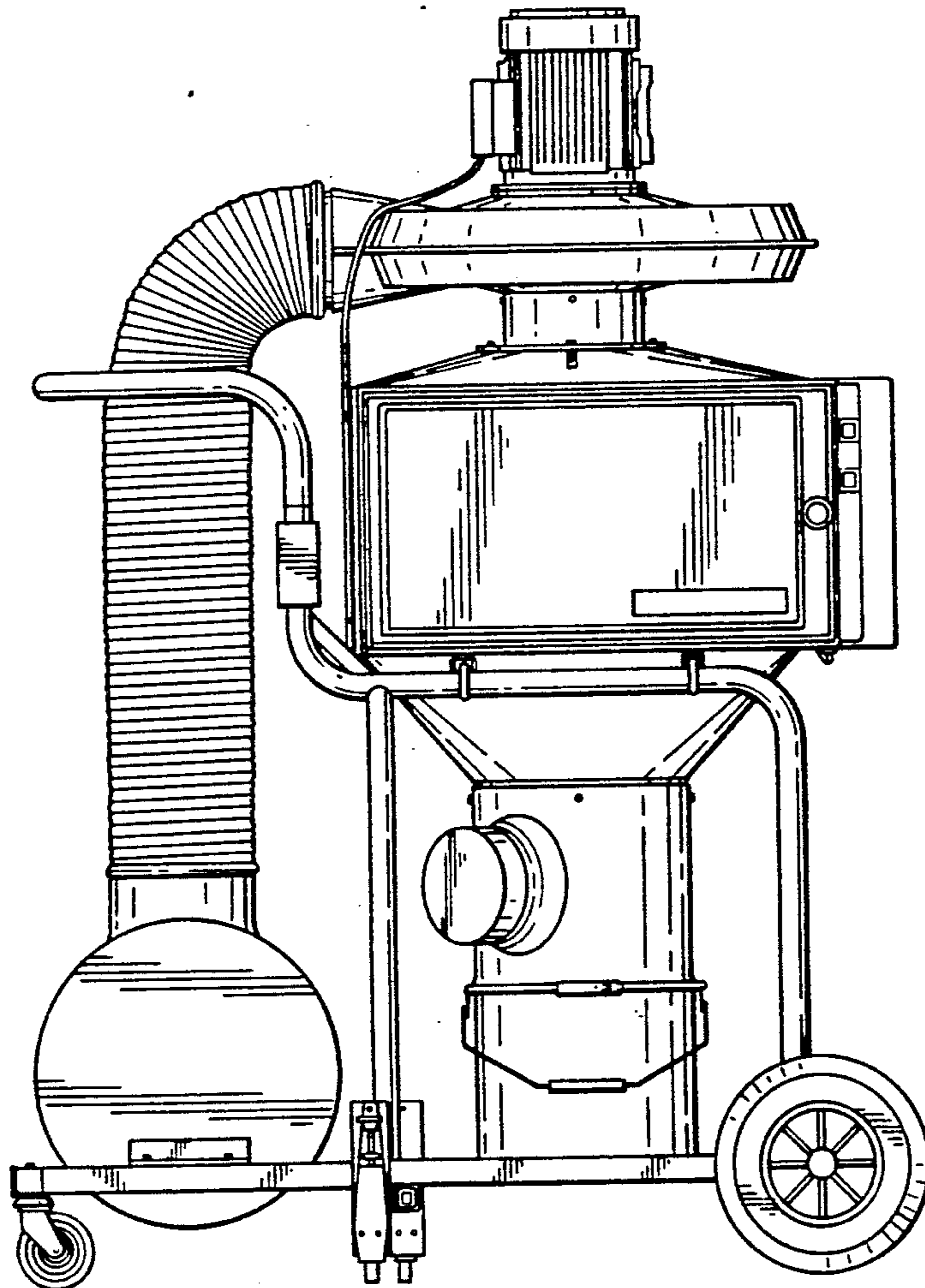


FIG. 2

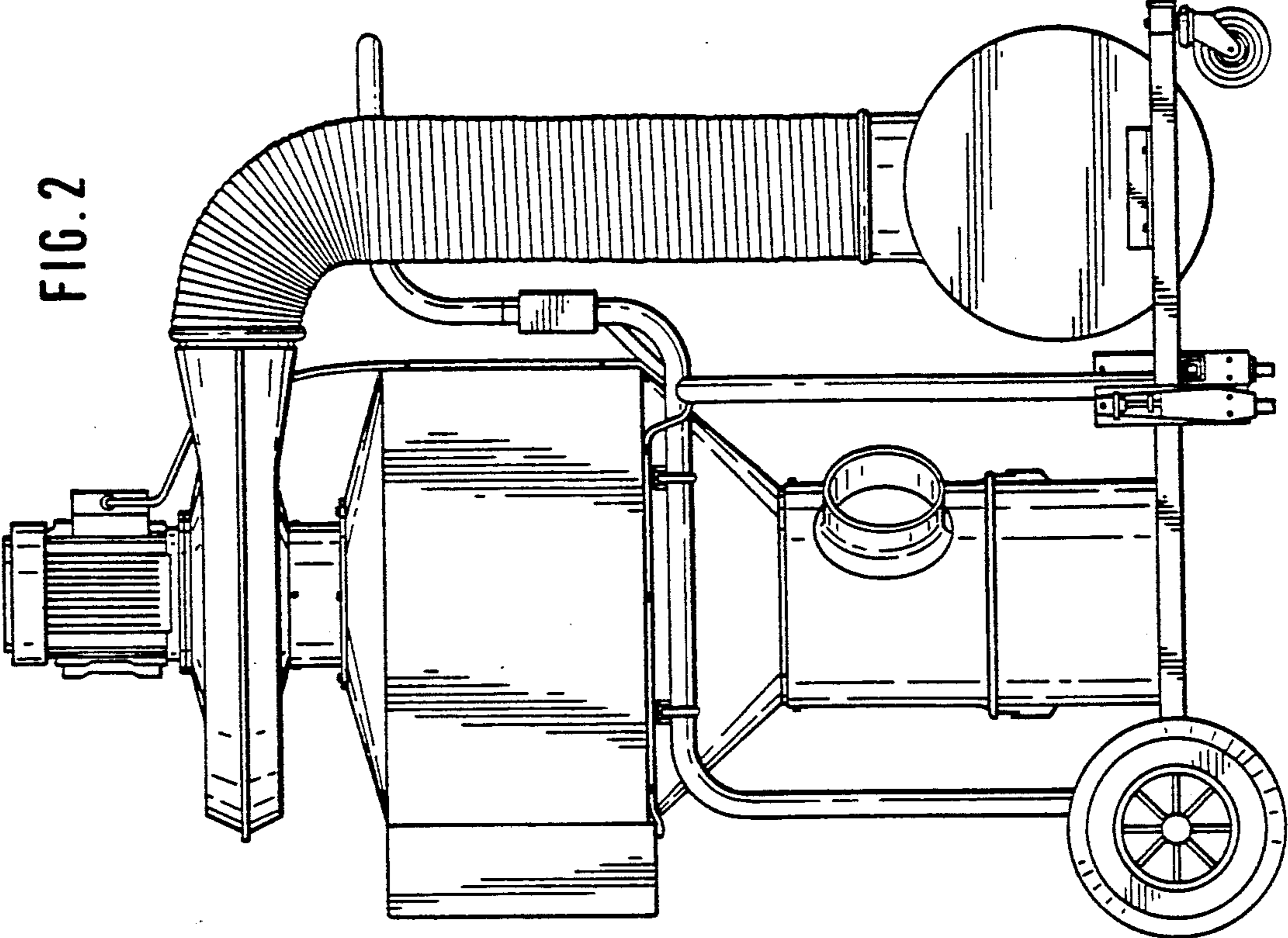


FIG. 1

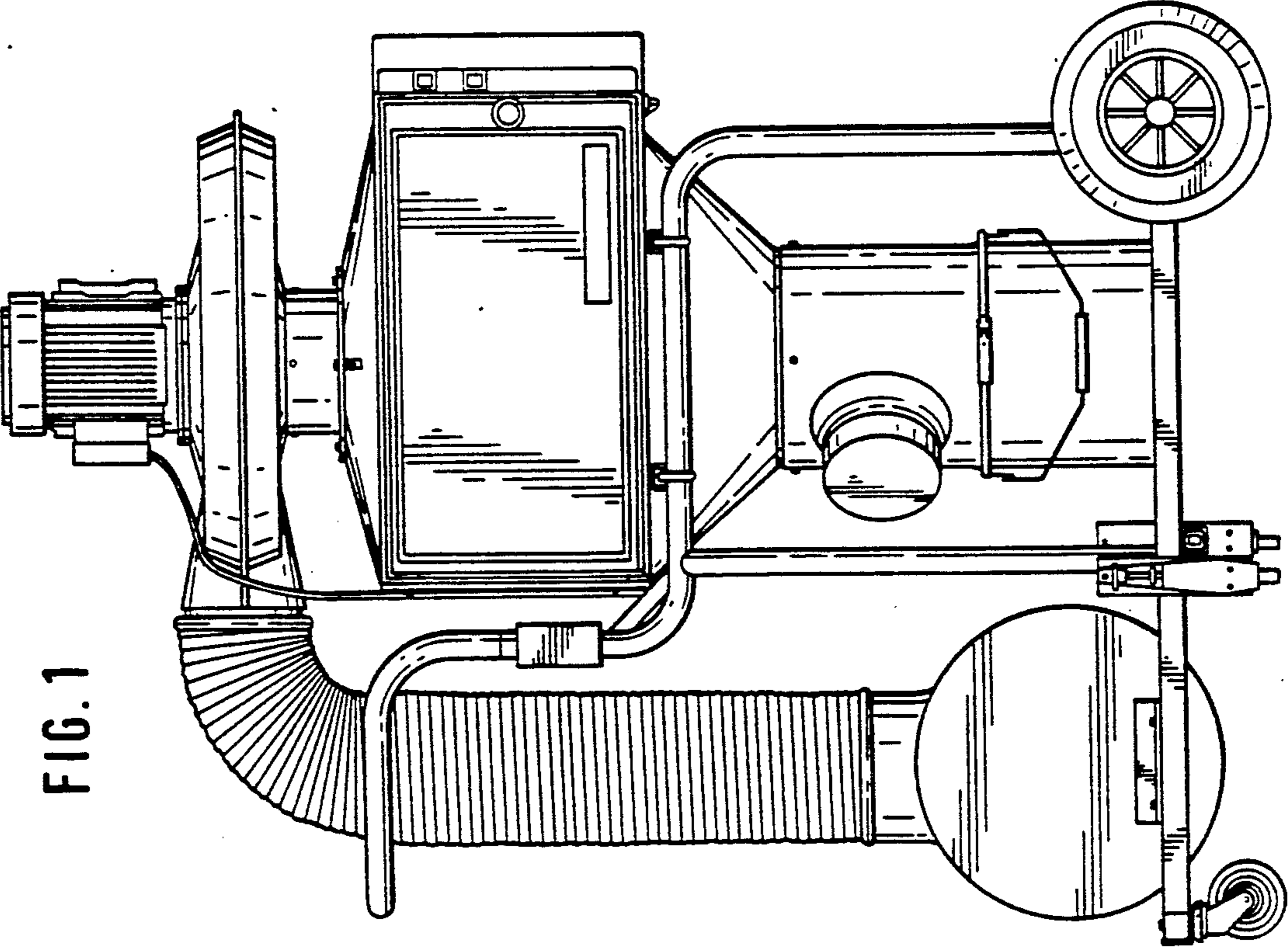


FIG. 4

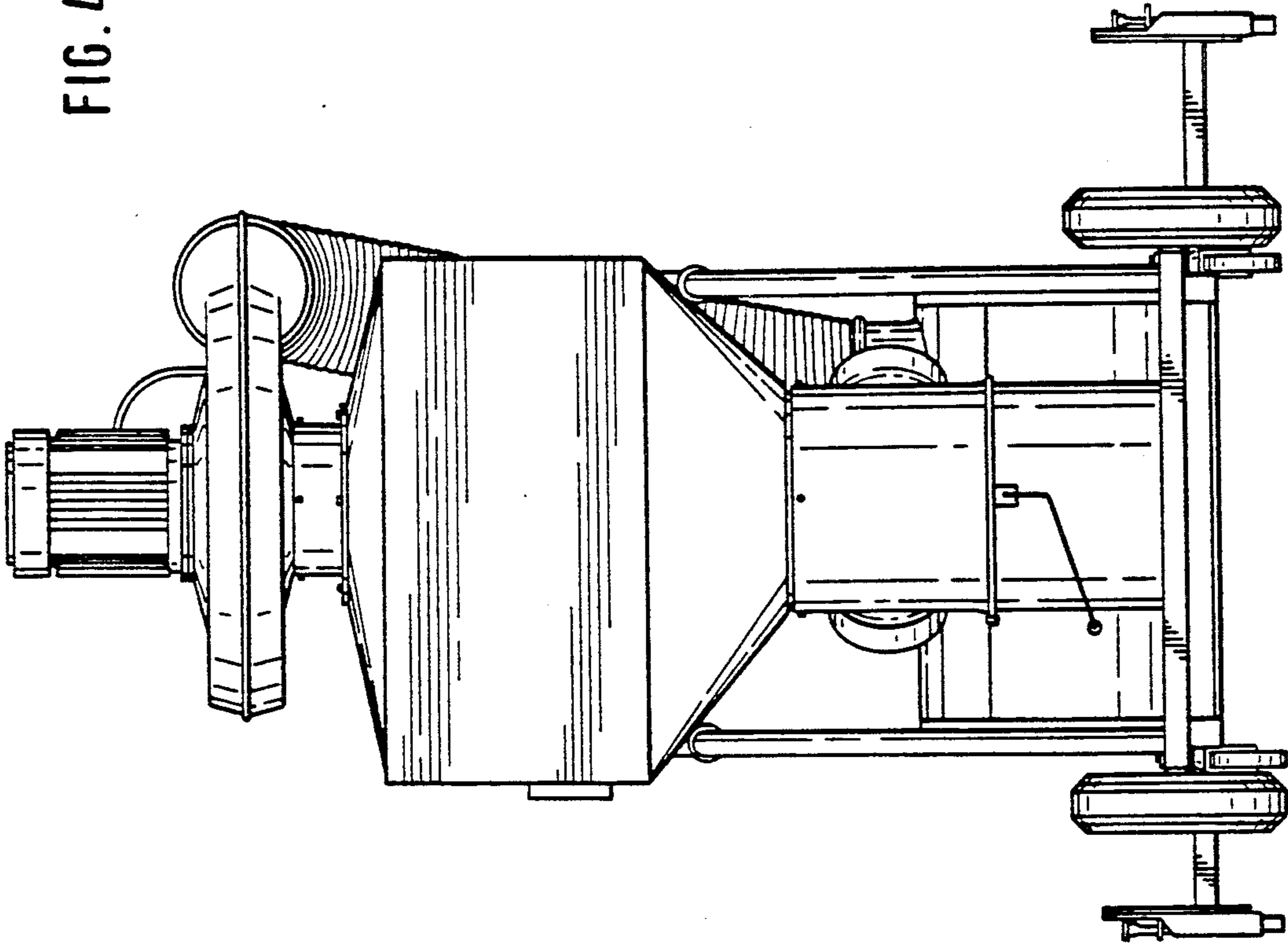


FIG. 3

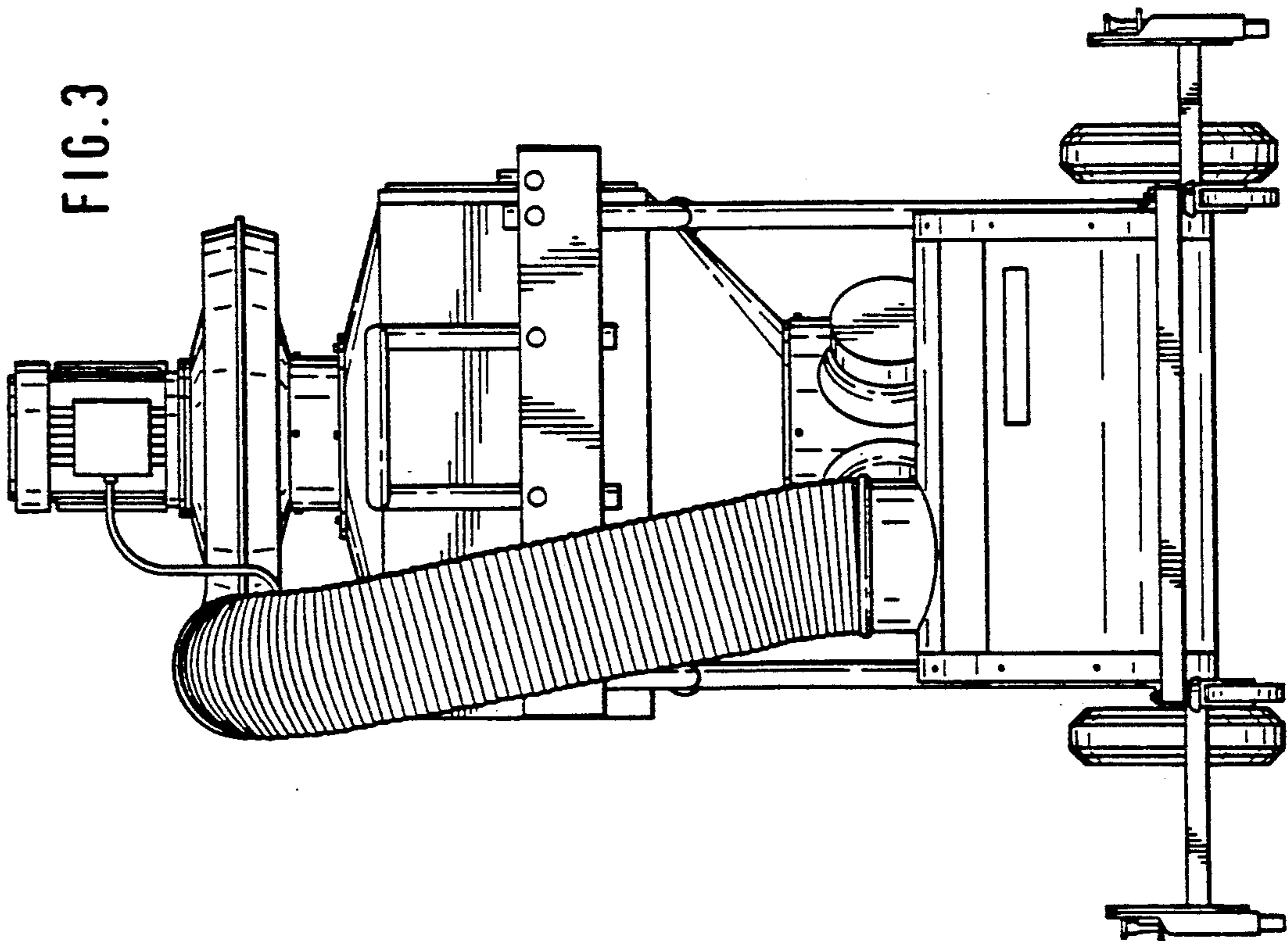


FIG. 6

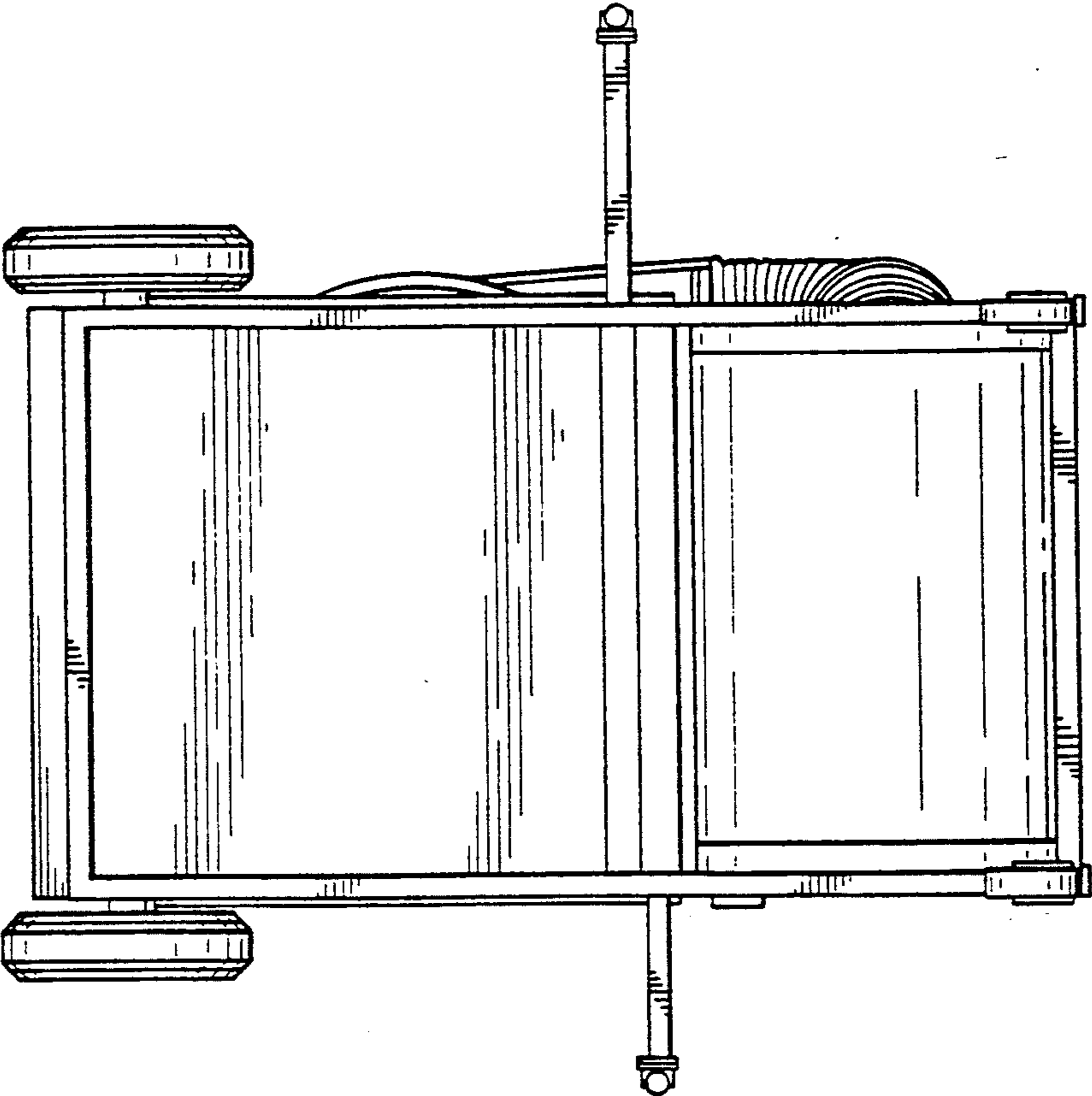
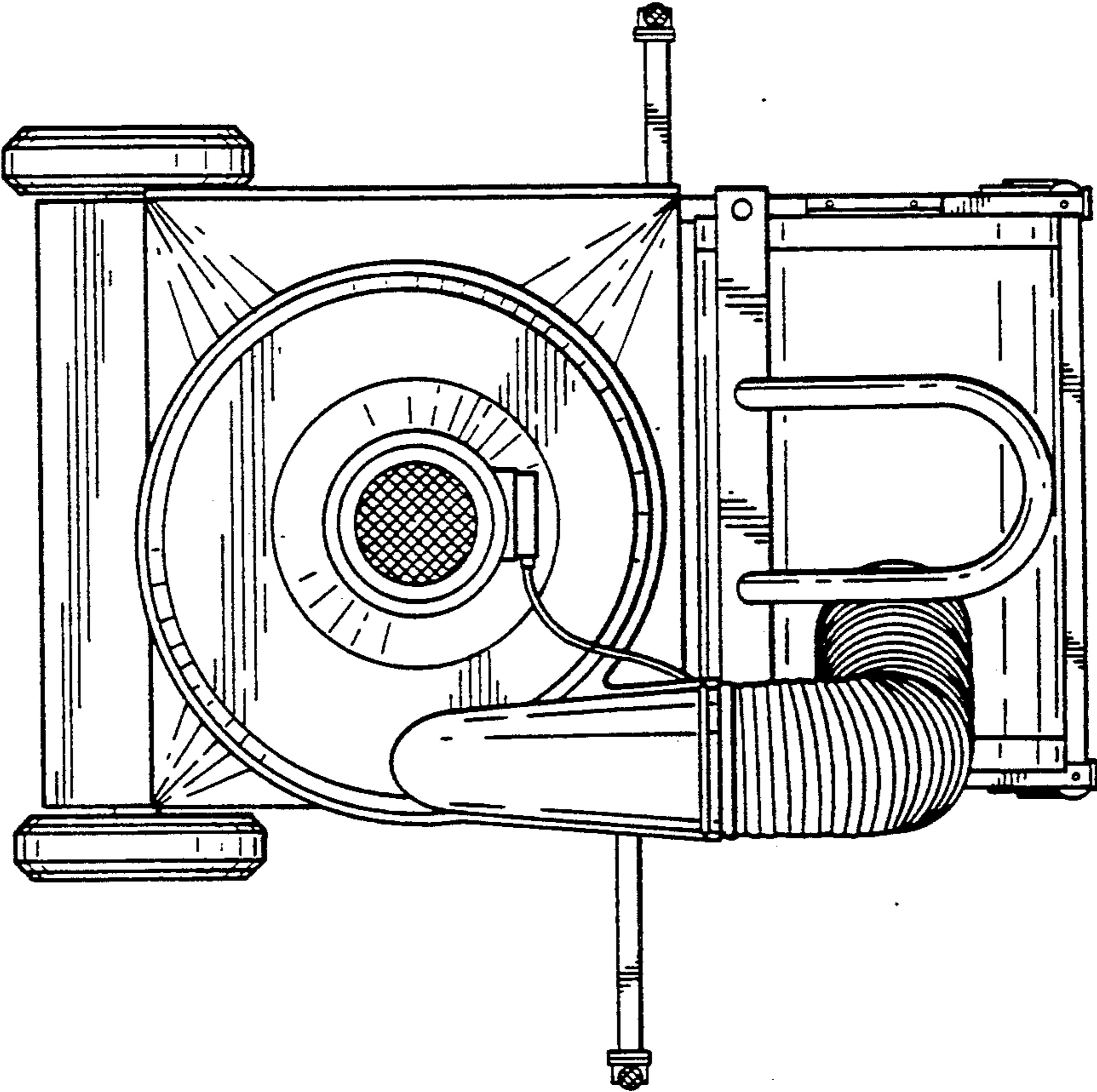


FIG. 5



UNITED STATES PATENT AND TRADEMARK OFFICE
CERTIFICATE OF CORRECTION

PATENT NO. : Des. 329,081

DATED : September 1, 1992

INVENTOR(S) : Alf I. S. Jonasson and Per N. Hedlund

It is certified that error appears in the above-identified patent and that said Letters Patent is hereby corrected as shown below:

Item [54] should read as follows:

--MOBILE ELECTROSTATIC AIR FILTER--

Signed and Sealed this

Fourteenth Day of September, 1993



Attest:

BRUCE LEHMAN

Attesting Officer

Commissioner of Patents and Trademarks