



US00D329079S

# United States Patent [19]

[11] Patent Number: **Des. 329,079**

Sanders

[45] Date of Patent: **\*\* Sep. 1, 1992**

[54] **SIGHT FOR FIREARMS, CROSSBOWS, BOWS, OR THE LIKE**

3,911,607 10/1975 Luebkehan ..... 42/100  
5,025,565 6/1991 Stenerson et al. .... 33/245 X

[76] Inventor: **Ronald J. Sanders, P.O. Box 658, Floodwood, Minn. 55736**

*Primary Examiner*—A. Hugo Word  
*Assistant Examiner*—Doris V. Coles  
*Attorney, Agent, or Firm*—Peterson, Wicks, Nemer & Kamrath

[\*\*] Term: **14 Years**

[21] Appl. No.: **461,769**

[57] **CLAIM**

[22] Filed: **Jan. 8, 1990**

The ornamental design for a sight for firearms, crossbows, bows, or the like, as shown and described.

[52] U.S. Cl. .... **D22/109; D16/132; D22/107**

**DESCRIPTION**

[58] Field of Search ..... **D16/132; D22/109, 110; 33/233, 241, 244, 261, 265, 297, 254, 258, 243, 245, 246; 42/100-103; 124/87**

FIG. 1 is a left side and rear perspective view of a sight for firearms, crossbows, bows, or the like, showing my new design;

[56] **References Cited**

**U.S. PATENT DOCUMENTS**

D. 240,457 7/1976 Dunlap ..... D16/132  
D. 268,203 3/1983 Woodham ..... D22/109  
D. 306,740 3/1990 Nichols et al. .... D16/132

FIG. 2 is a left side elevational view thereof;

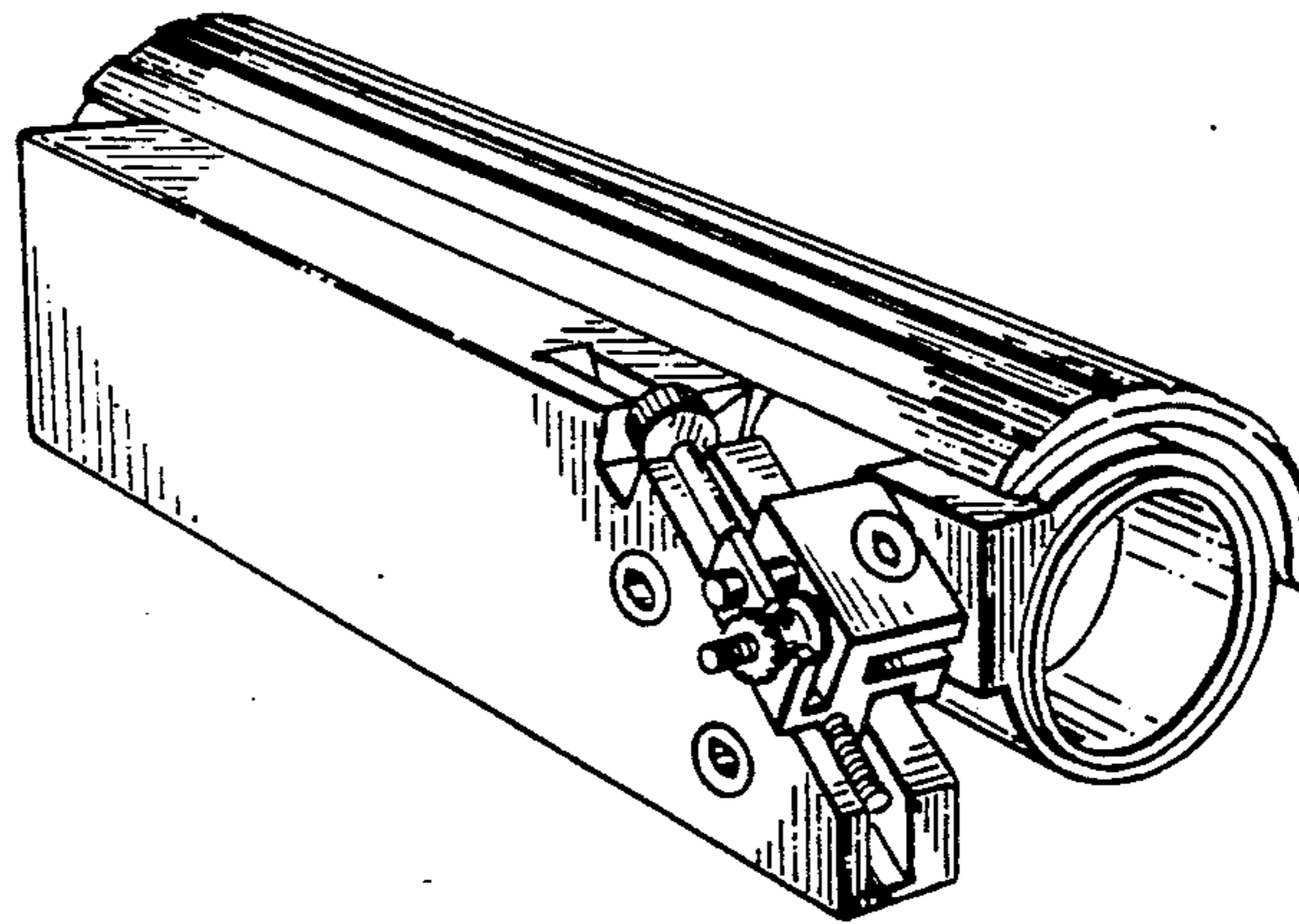
FIG. 3 is a front elevational view thereof;

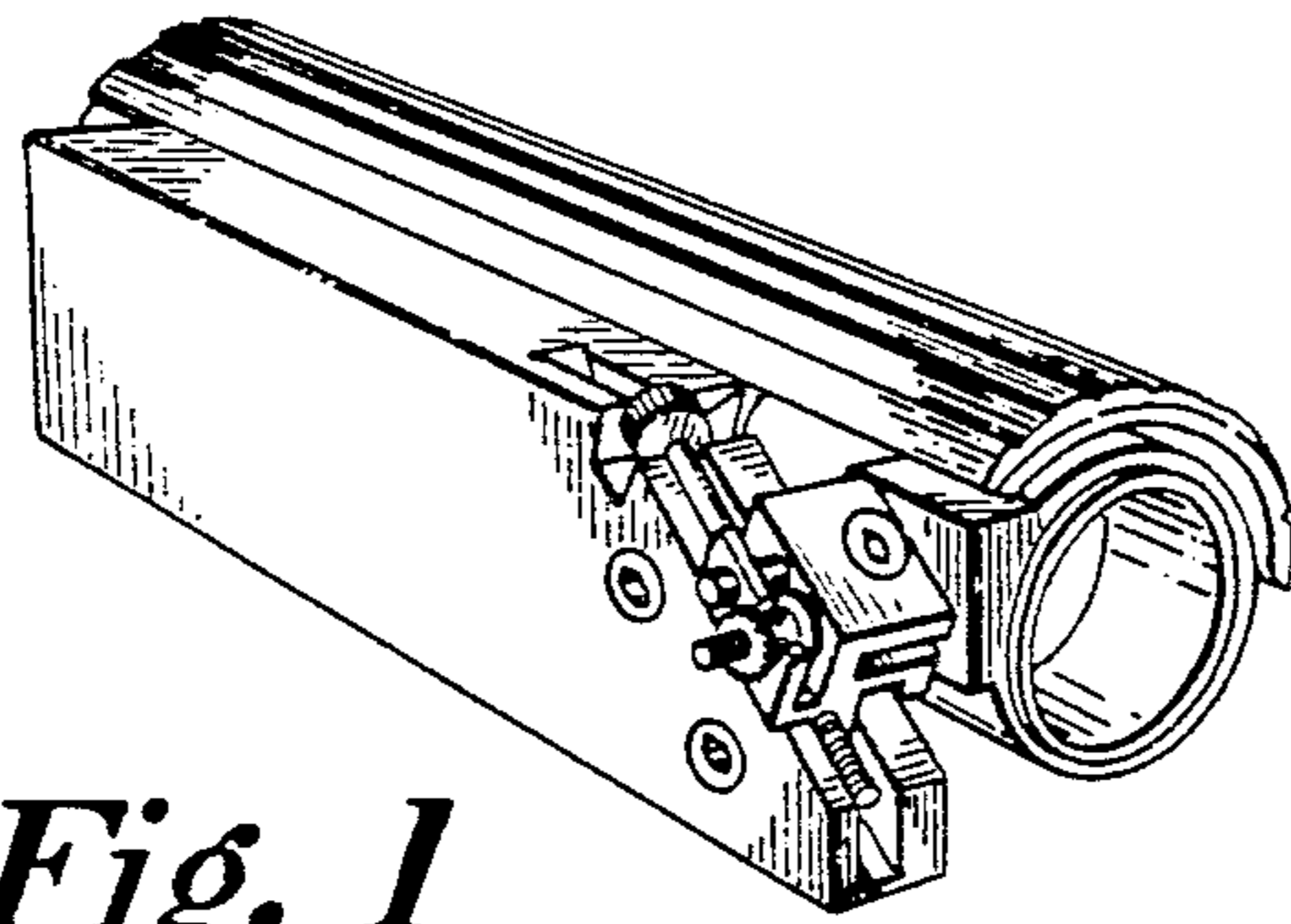
FIG. 4 is a rear elevational view thereof;

FIG. 5 is a top plan view thereof;

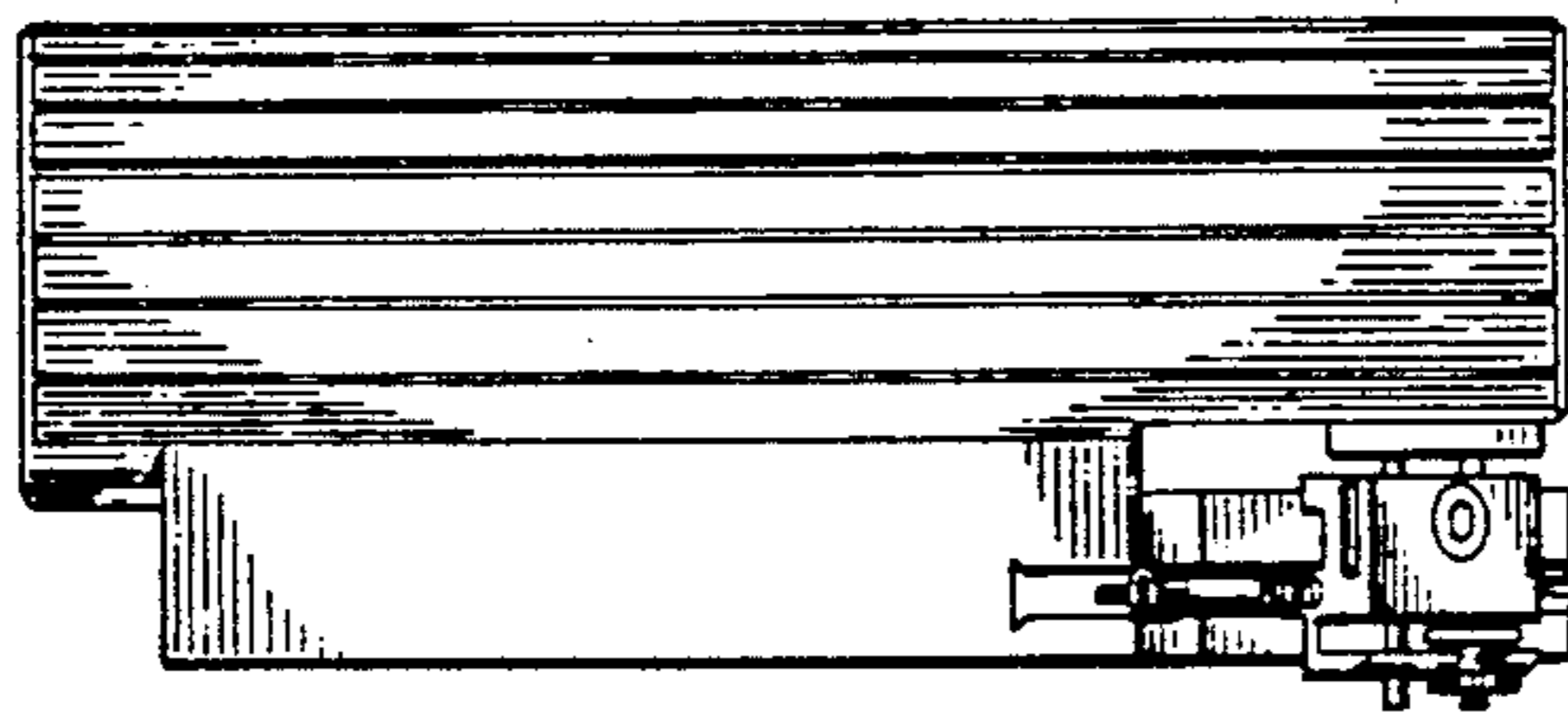
FIG. 6 is a bottom plan view thereof; and,

FIG. 7 is a right side elevational view thereof.

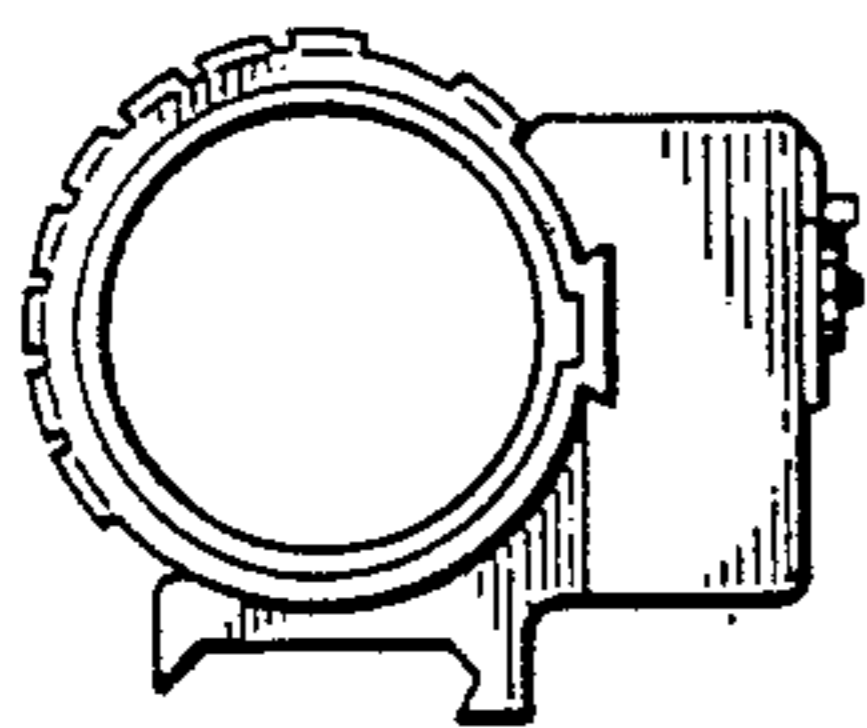




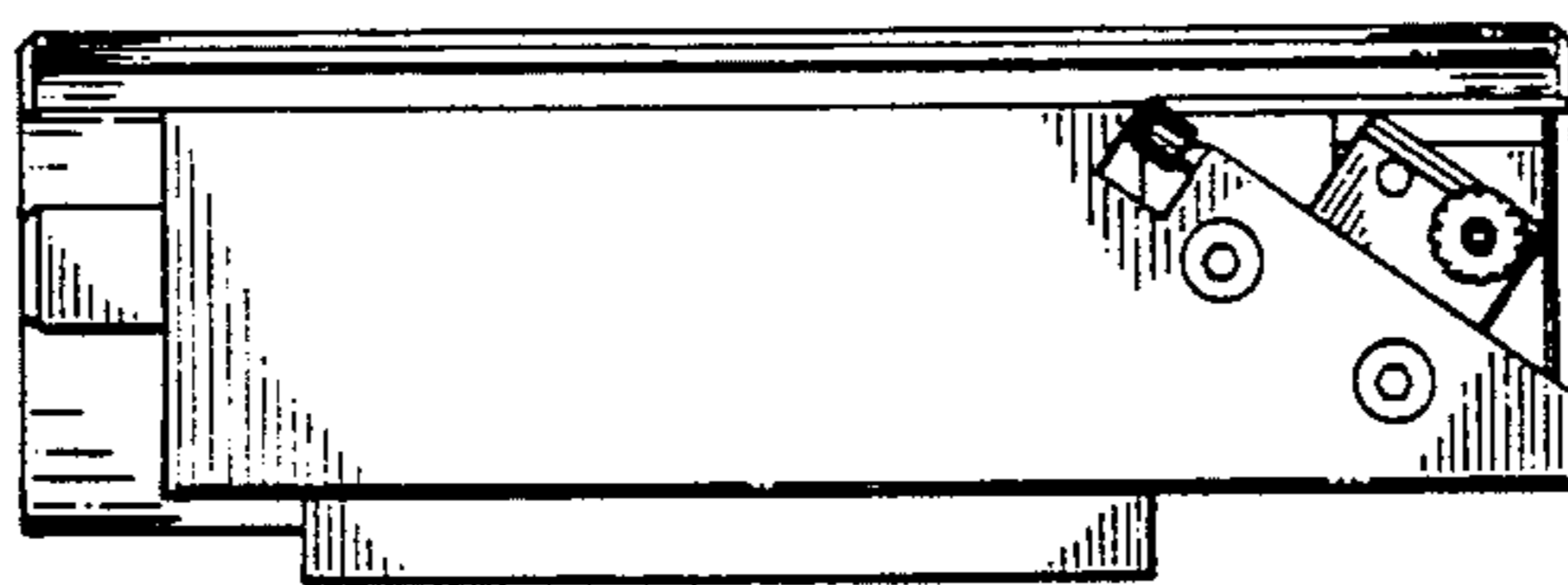
*Fig. 1*



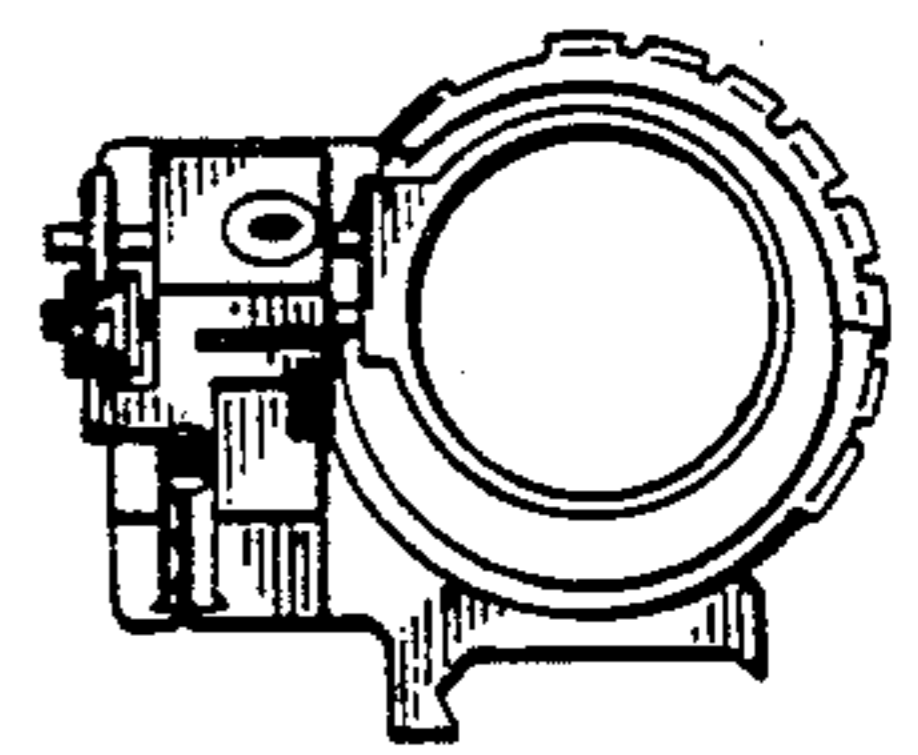
*Fig. 5*



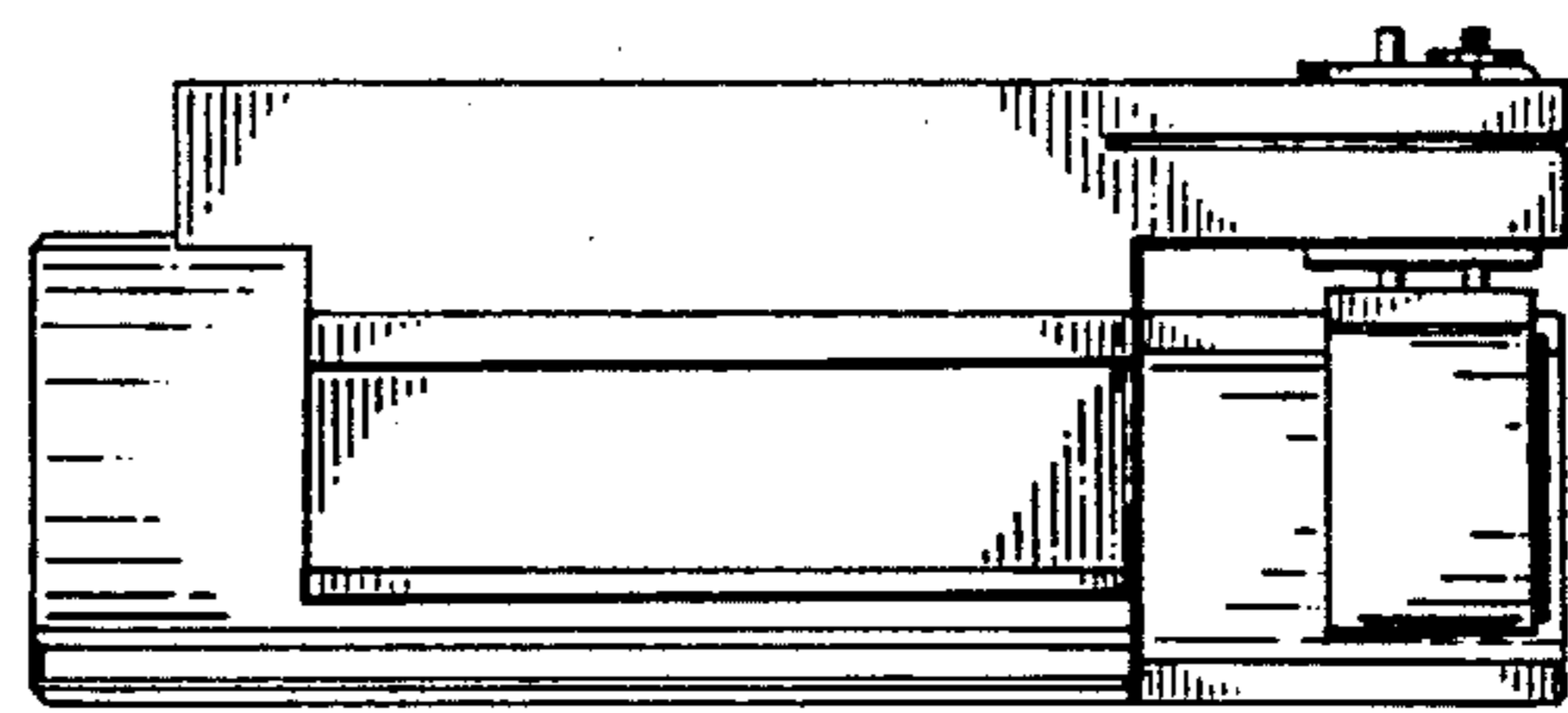
*Fig. 3*



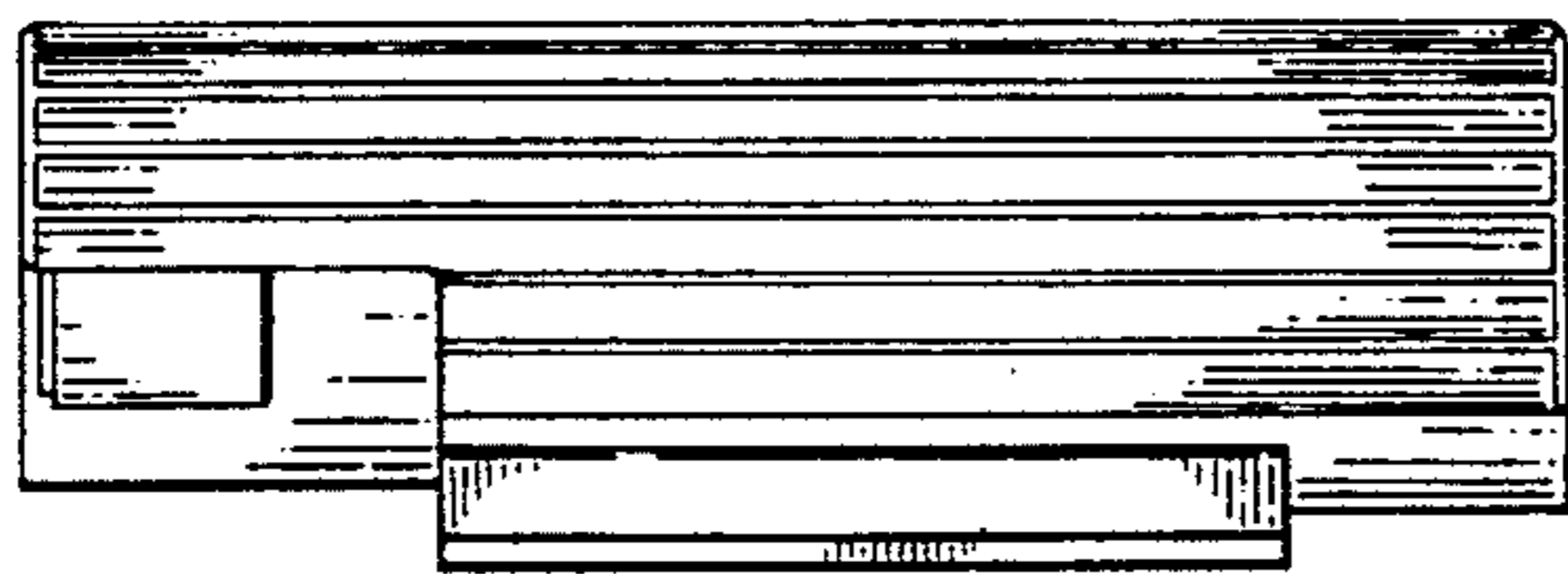
*Fig. 2*



*Fig. 4*



*Fig. 6*



*Fig. 7*