



US00D329078S

# United States Patent [19]

Hasselbush

[11] Patent Number: **Des. 329,078**

[45] Date of Patent: **\*\* Sep. 1, 1992**

[54] FIREARM RECEIVER

4,860,480 8/1989 Ruger ..... D22/110 X

[76] Inventor: **Harold Hasselbush**, 144-21 68th Dr.,  
Flushing, N.Y. 11367

*Primary Examiner*—A. Hugo Word  
*Assistant Examiner*—Doris V. Coles  
*Attorney, Agent, or Firm*—Nicholas J. Garofalo

[\*\*] Term: **14 Years**

[21] Appl. No.: **482,327**

[57] **CLAIM**

The ornamental design for a firearm receiver, as shown.

[22] Filed: **Feb. 20, 1990**

[52] U.S. Cl. .... **D22/108**

[58] Field of Search ..... D22/108, 110; 42/101,  
42/16, 75.03

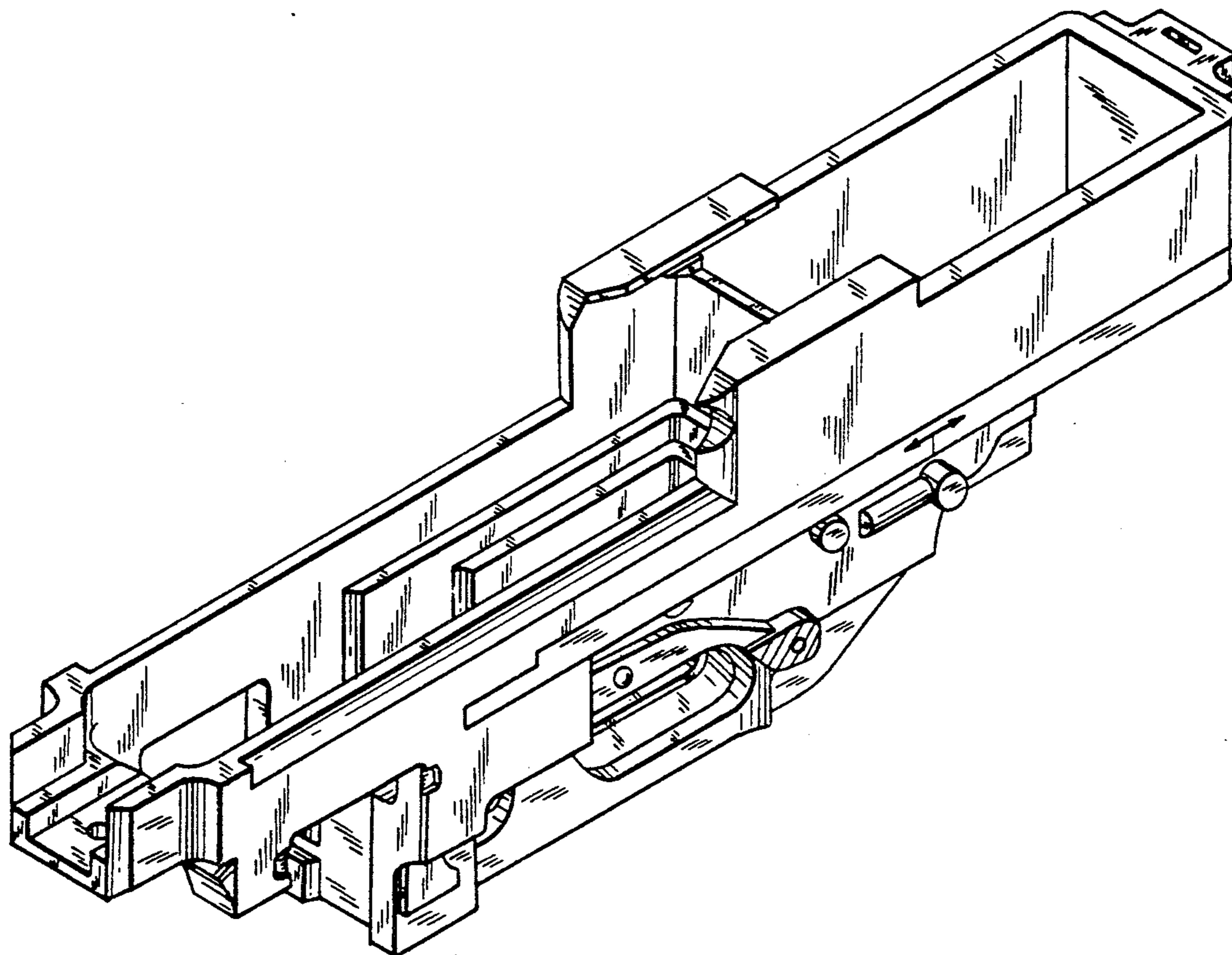
### DESCRIPTION

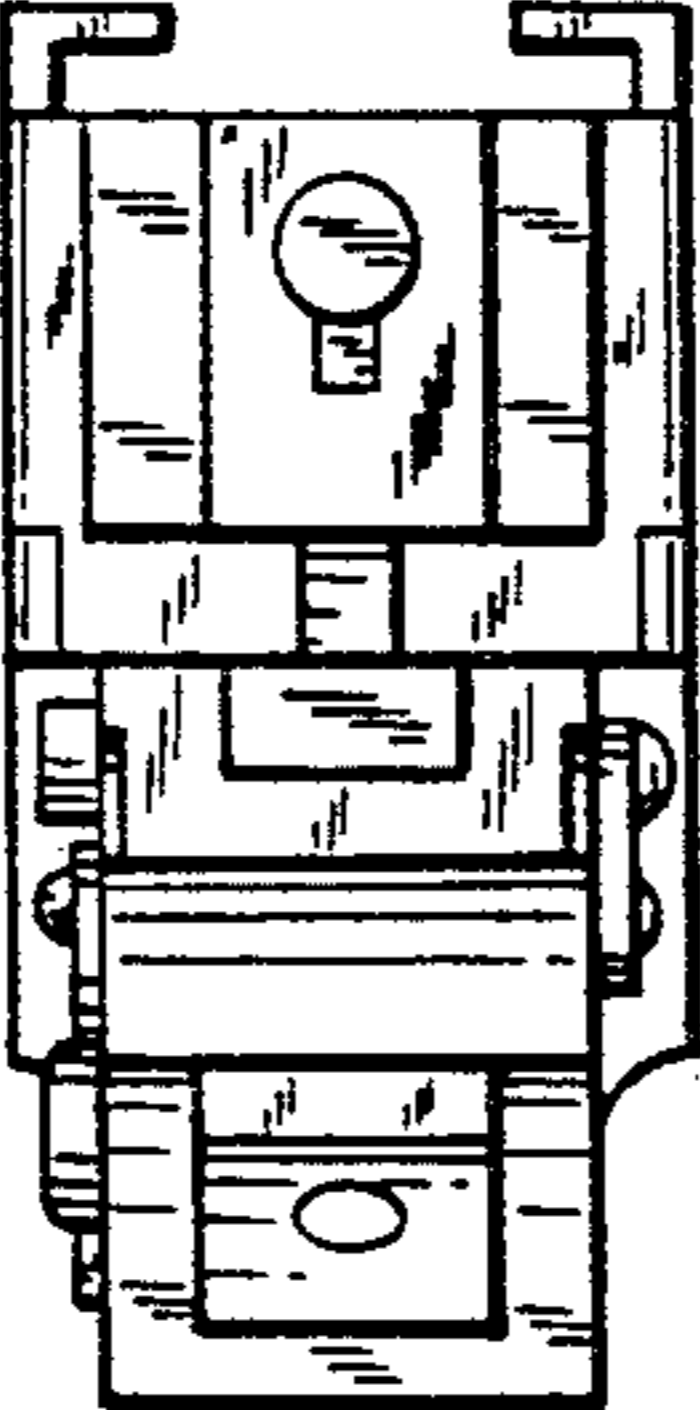
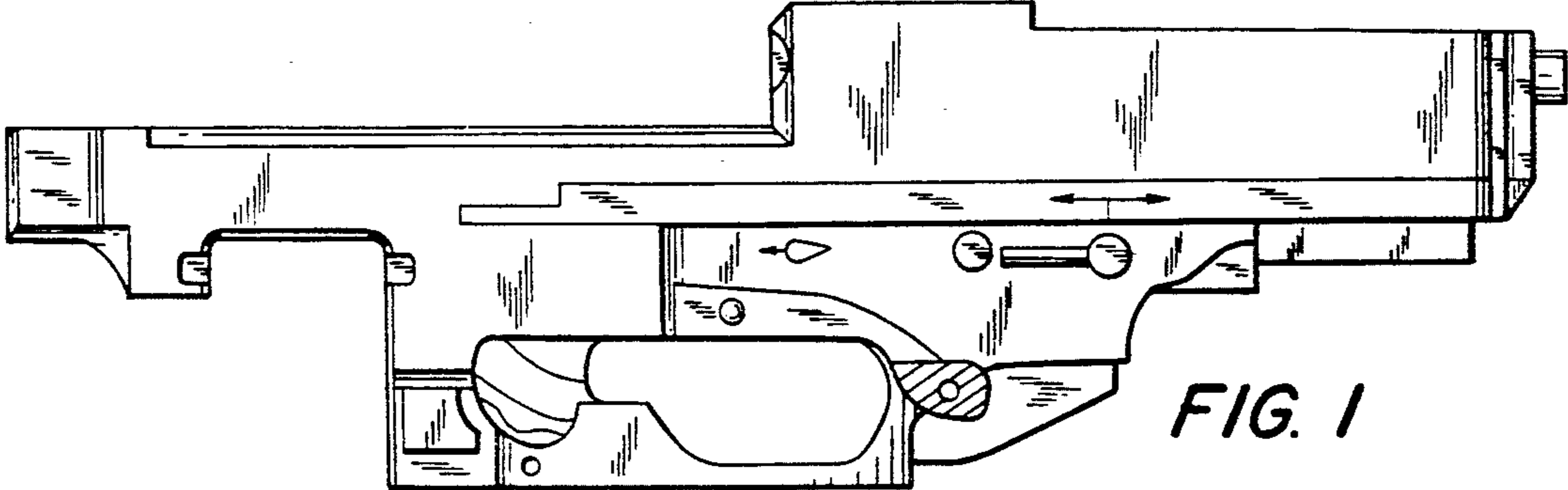
FIG. 1 is a right side elevational view of a firearm receiver, showing my new design;  
FIG. 2 is a rear elevational view thereof;  
FIG. 3 is a bottom plan view thereof;  
FIG. 4 is a front elevational view thereof;  
FIG. 5 is a left side elevational view thereof;  
FIG. 6 is a top plan view thereof; and,  
FIG. 7 is a front, top and right side perspective view thereof.

[56] **References Cited**

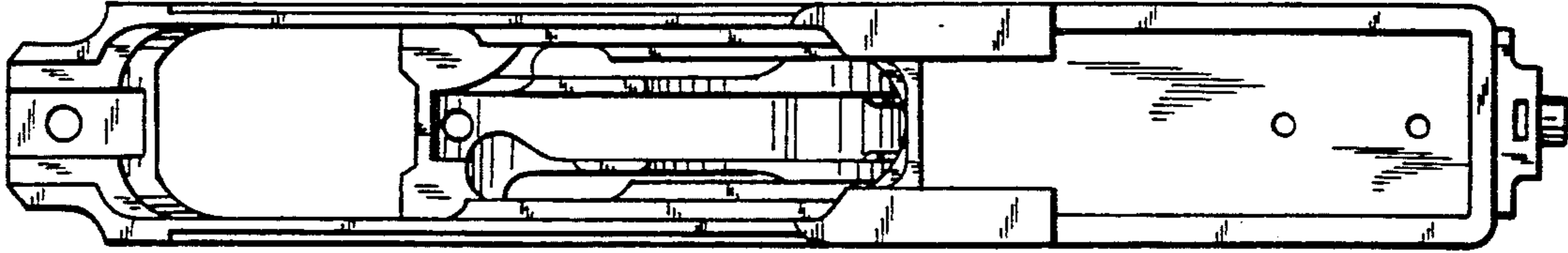
#### U.S. PATENT DOCUMENTS

D. 285,236	8/1986	Brunton	.....	D22/108
3,739,515	6/1973	Koon, Jr.	.....	42/75.03
4,593,488	6/1986	Ruger	.....	42/75.03
4,601,124	7/1986	Brown, Jr.	.....	42/75.03

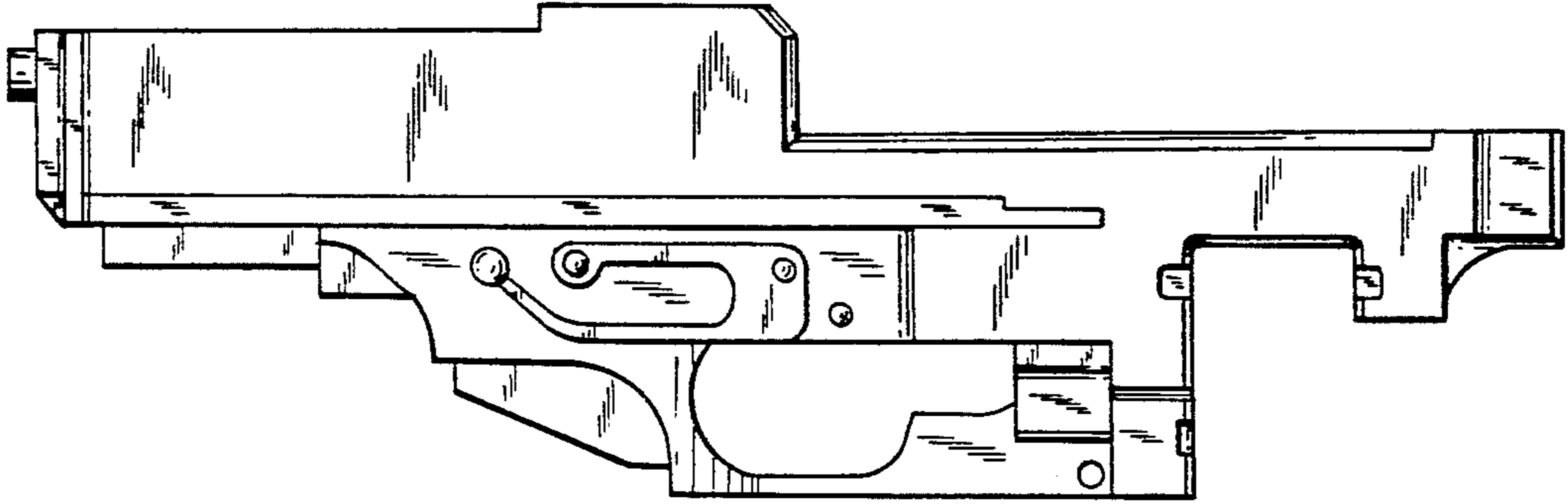




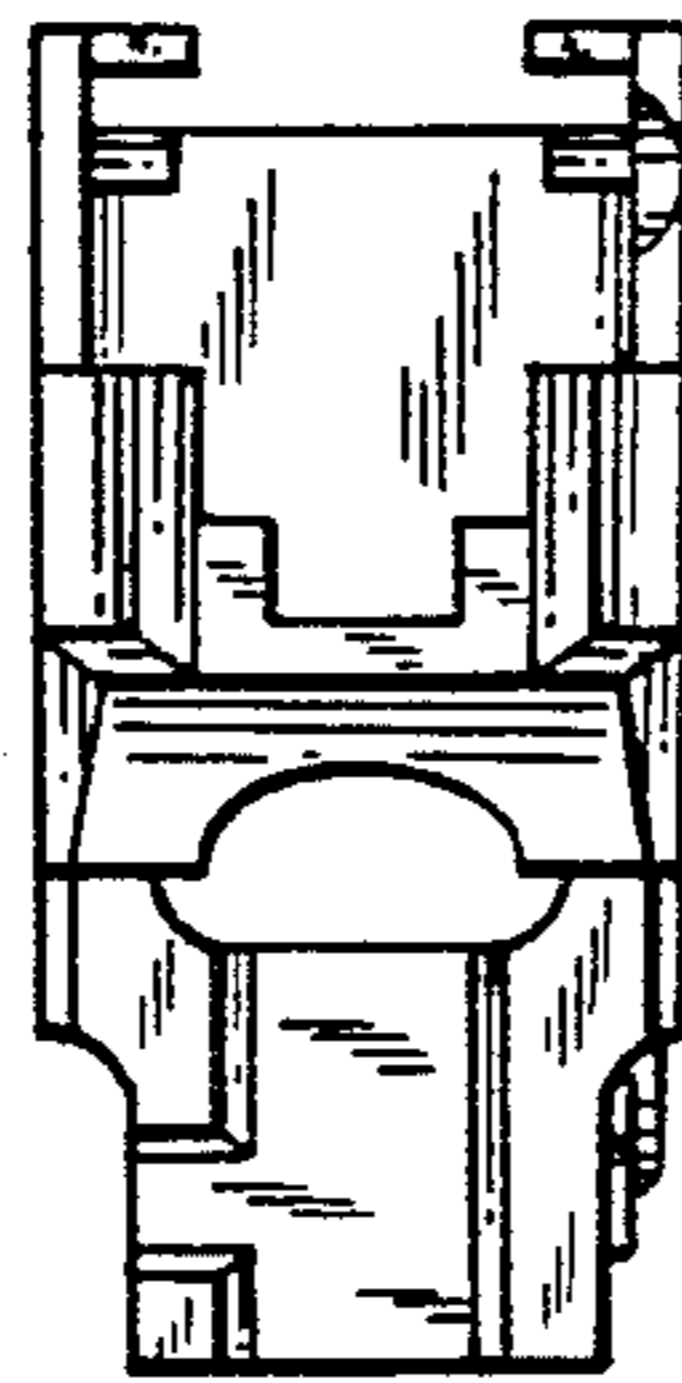
*FIG. 6*



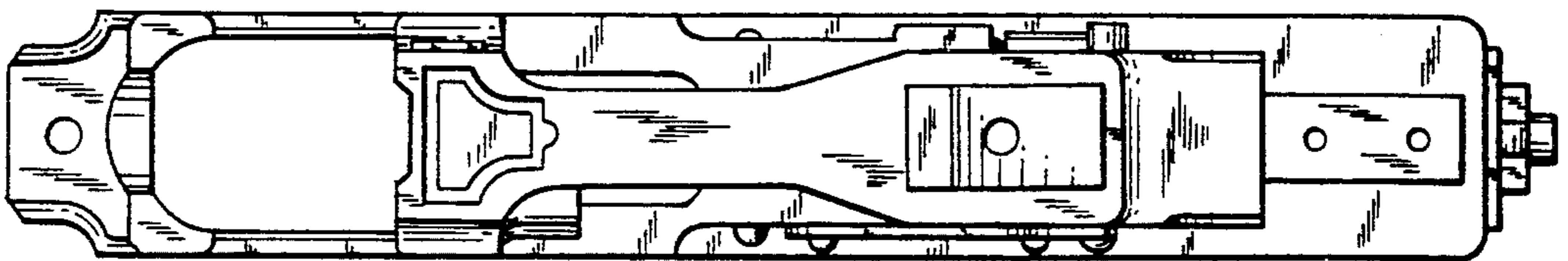
*FIG. 5*



*FIG. 4*



*FIG. 3*



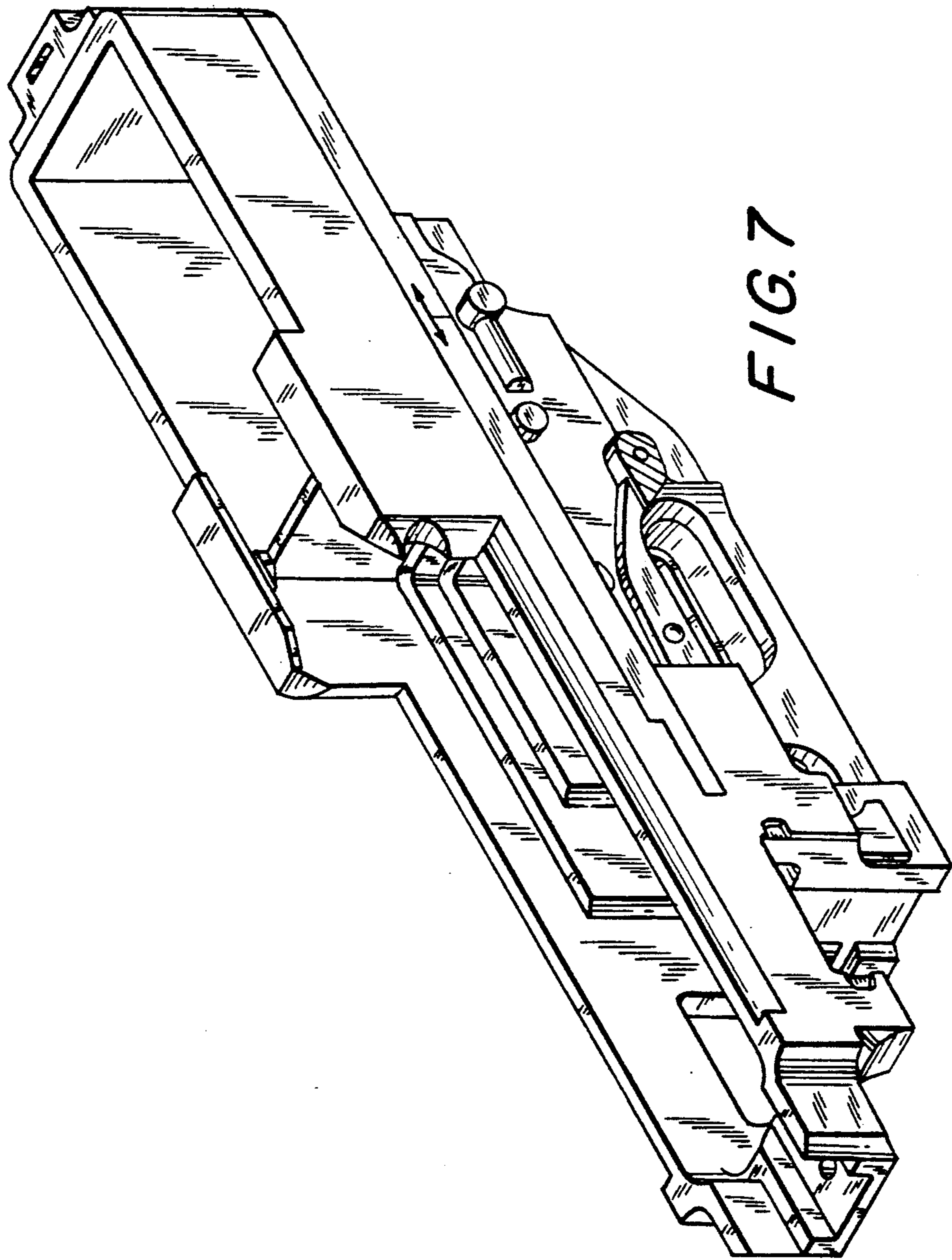


FIG. 7