



US00D329071S

United States Patent [19]

[11] Patent Number: **Des. 329,071**

Chih

[45] Date of Patent: **** Sep. 1, 1992**

[54] TOY VEHICLE

271,749	2/1883	Stewart	434/203
580,516	4/1897	Andrew	434/203
3,844,062	10/1974	Daugirdas	D21/140

[75] Inventor: **Draco Chih, Taipei, Taiwan**

[73] Assignee: **Taiwan Shining Young Trading Co., Ltd., Taipei, Taiwan**

FOREIGN PATENT DOCUMENTS

289406	7/1953	Switzerland	446/410
--------	--------	-------------	-------	---------

[**] Term: **14 Years**

OTHER PUBLICATIONS

[21] Appl. No.: **699,561**

Housewares Review May 1965, p. 13 top of page.

[22] Filed: **May 14, 1991**

Primary Examiner—Bernard Ansher

[52] U.S. Cl. **D21/128; D10/12**

Assistant Examiner—R. Barkai

[58] Field of Search D21/82, 87, 128, 131, D21/133, 134, 137, 140, 141; D12/1, 83; D10/2, 12; D19/64; 446/93, 94, 95, 96, 432, 433, 465, 466; 434/203, 204; 368/10, 278, 285

Attorney, Agent, or Firm—Bacon & Thomas

[57] CLAIM

The ornamental design for a toy vehicle, as shown and described.

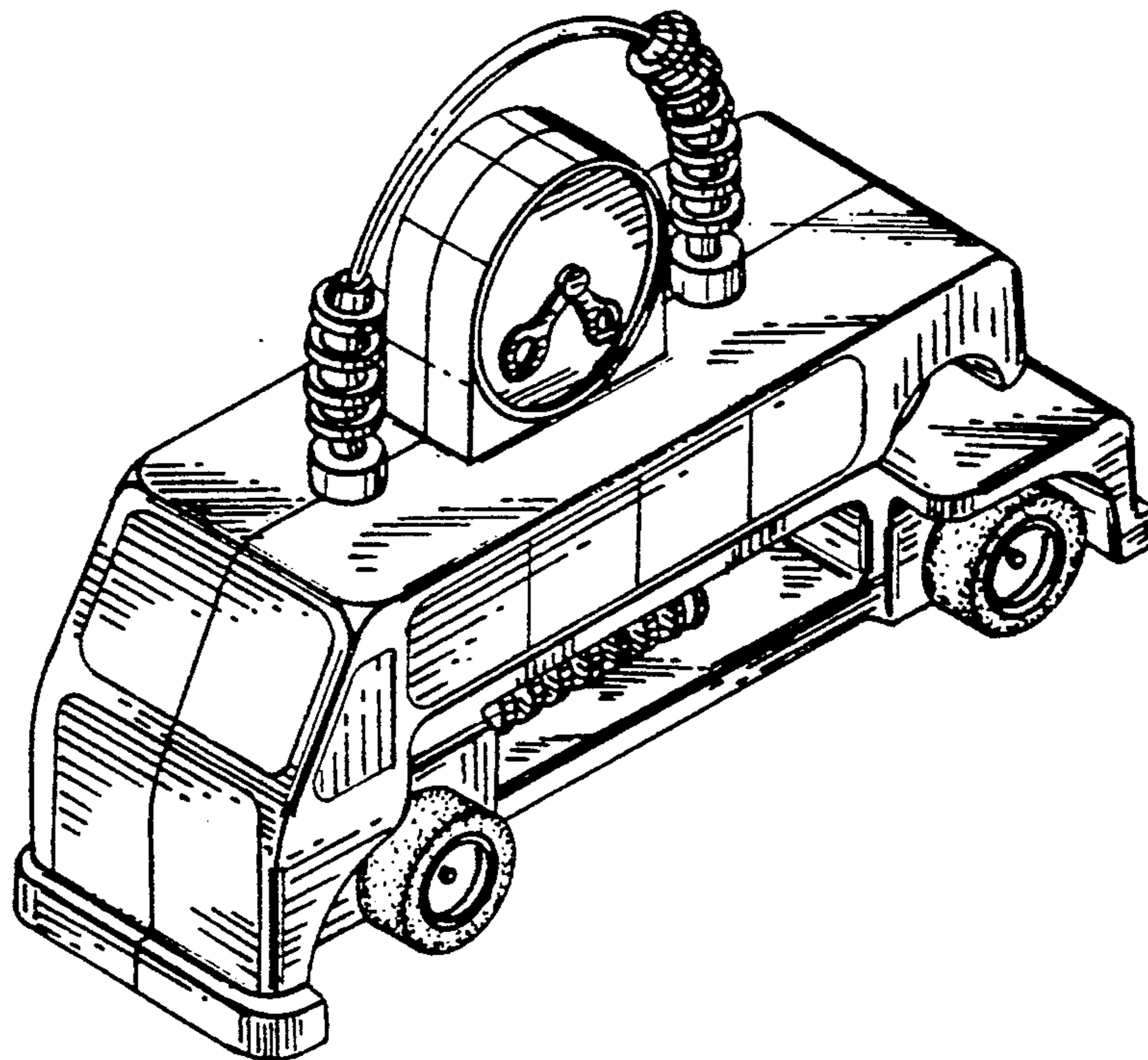
[56] References Cited

DESCRIPTION

U.S. PATENT DOCUMENTS

D. 145,390	8/1946	Cohen	D19/64
D. 190,662	6/1961	Giardina	D19/64
D. 219,666	1/1971	Gilford	D21/140
D. 230,024	1/1974	Sand	D19/64
D. 238,697	2/1976	McKague	D21/140
D. 245,505	8/1977	Bullock	D19/64
D. 281,334	11/1985	Adams	D19/64
D. 281,987	12/1985	Catelli	D21/140

FIG. 1 is a front elevational view of a toy vehicle showing my new design;
FIG. 2 is a rear elevational view thereof;
FIG. 3 is a left side elevational view thereof;
FIG. 4 is a right side elevational view thereof;
FIG. 5 is a top plan view thereof;
FIG. 6 is a bottom plan view thereof; and,
FIG. 7 is a front perspective view thereof.



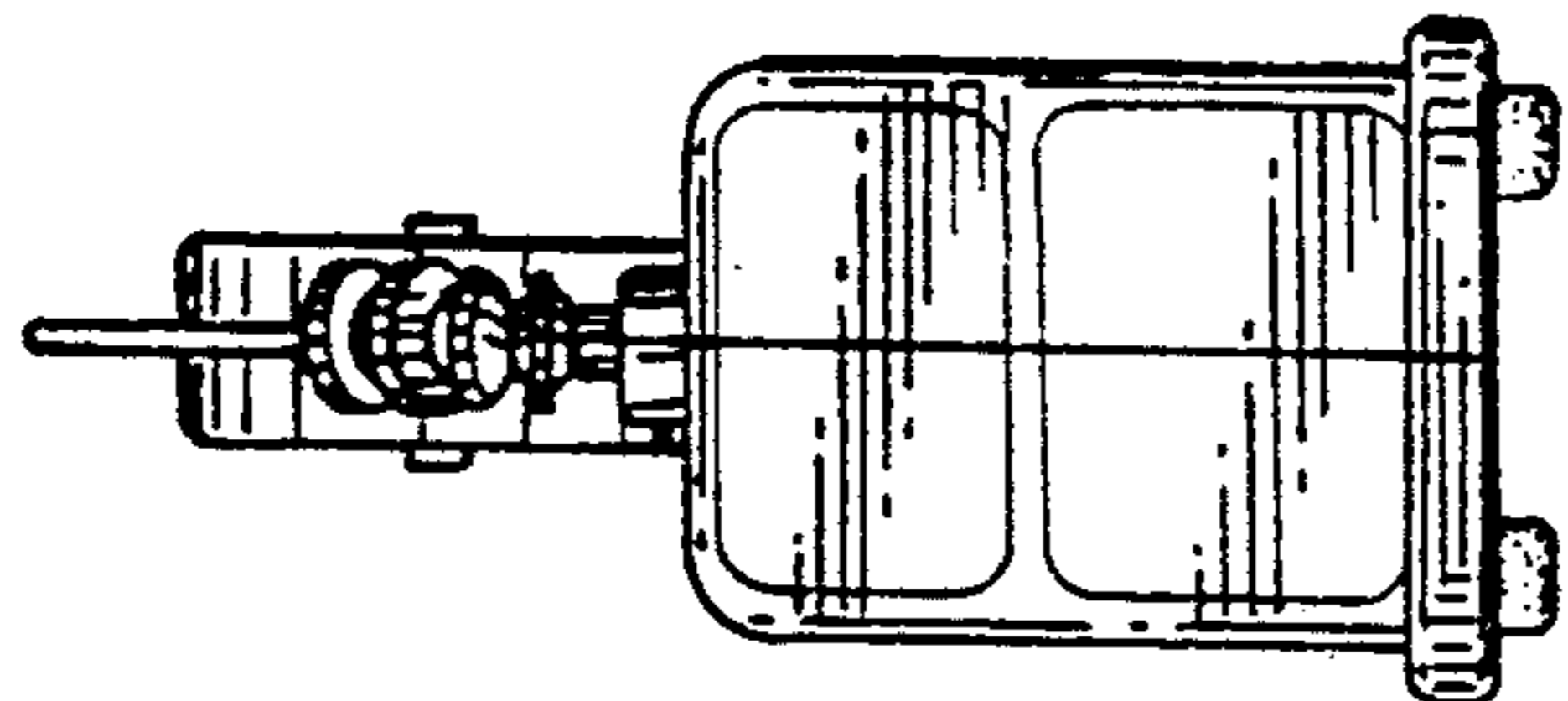


FIG. 1

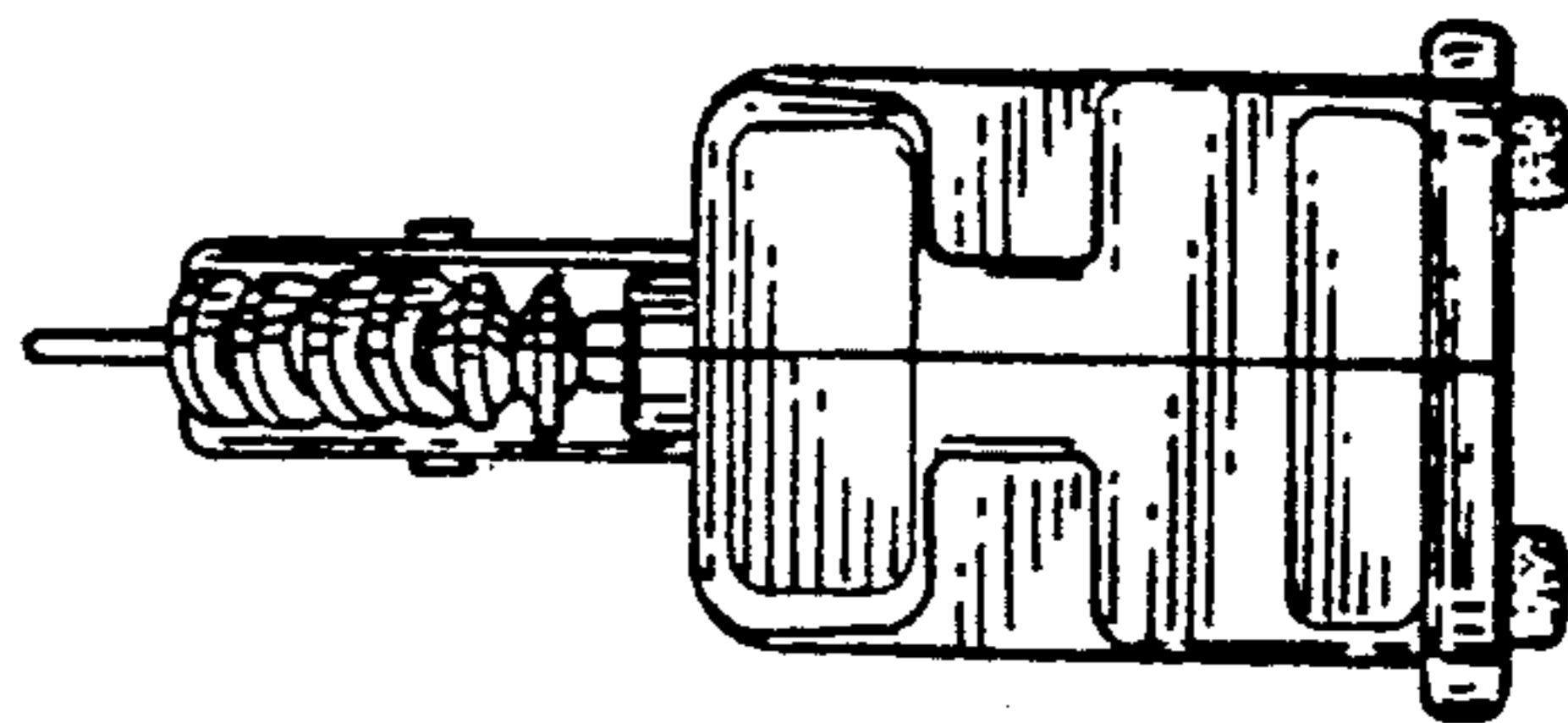


FIG. 2

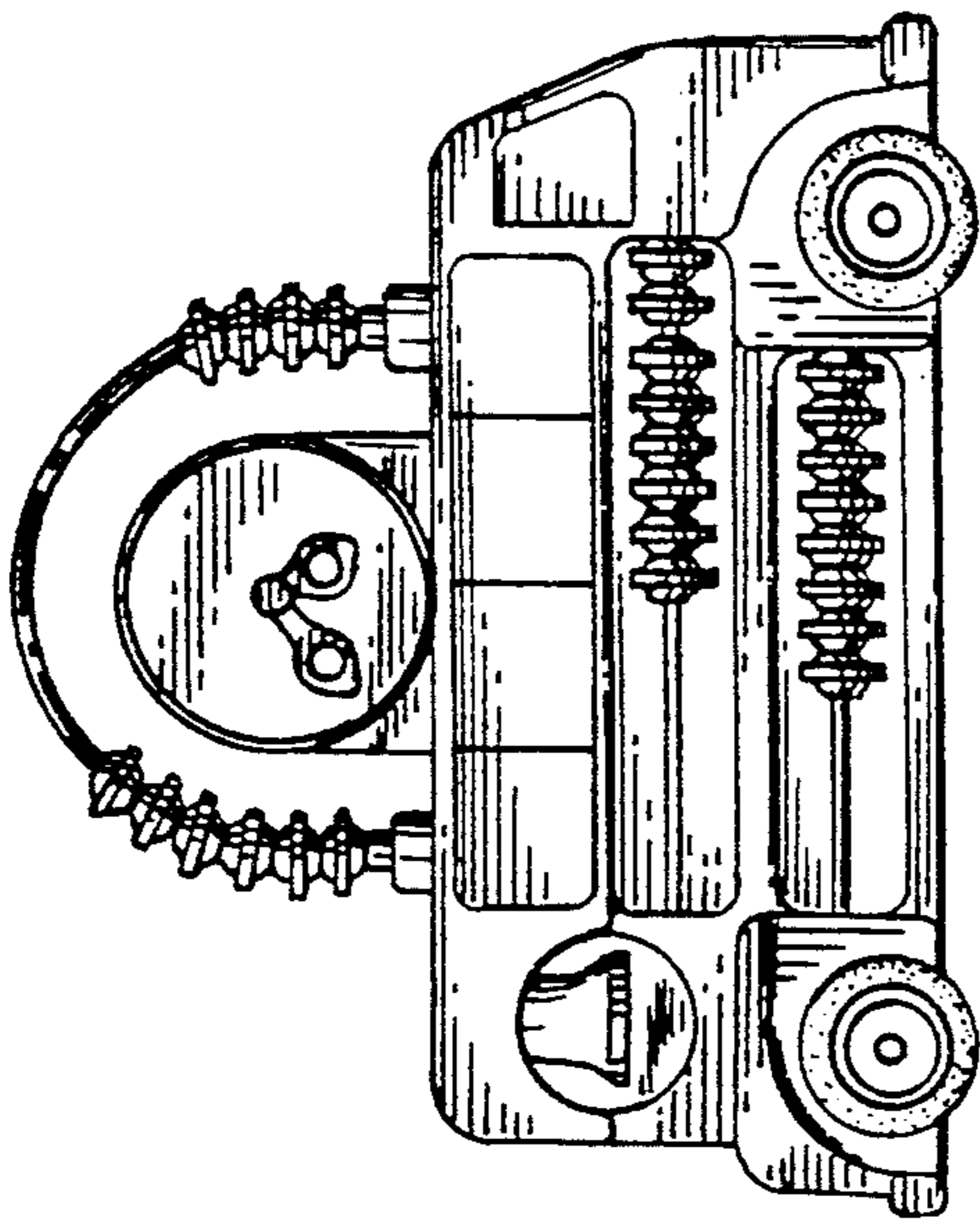


FIG. 3

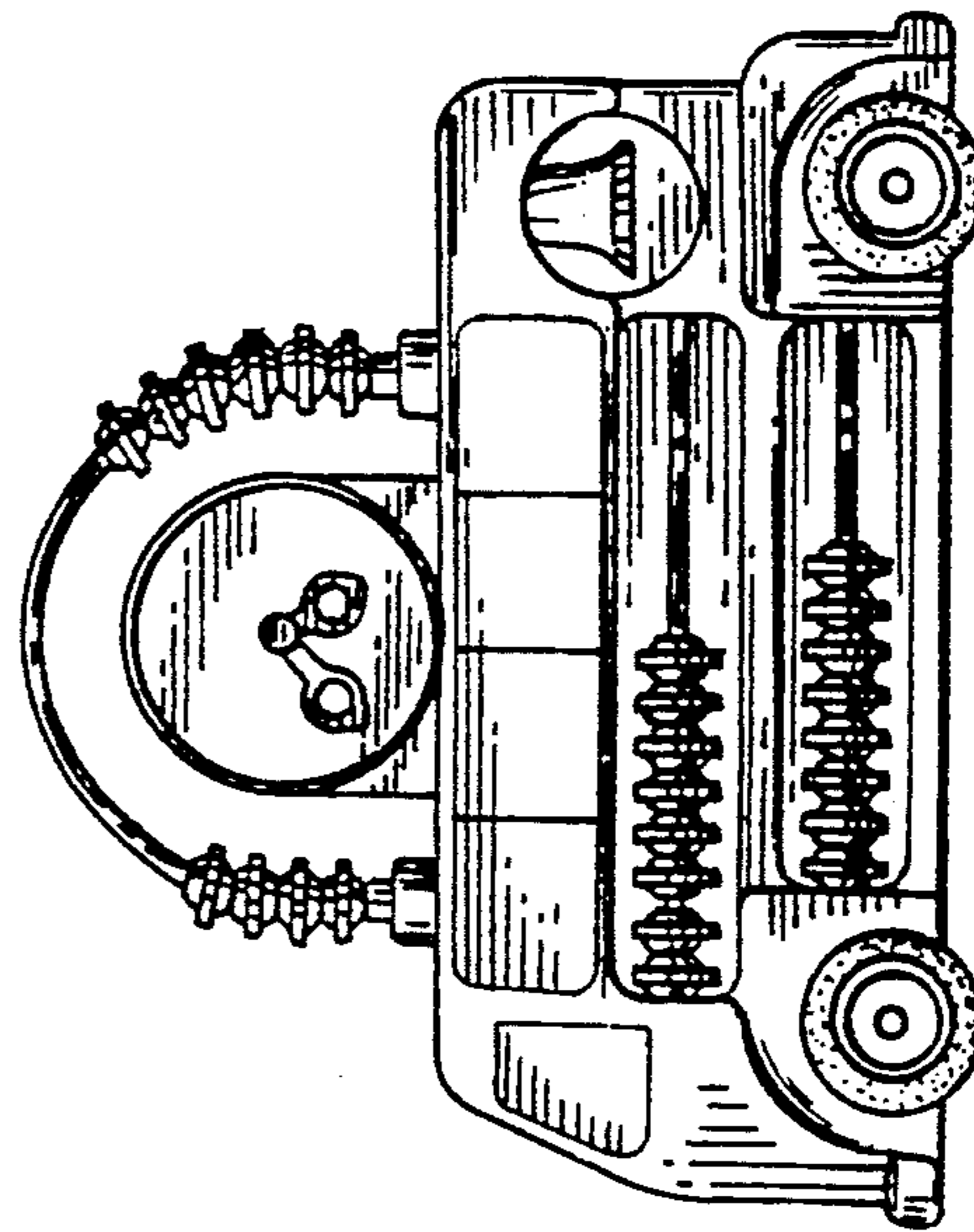


FIG. 4

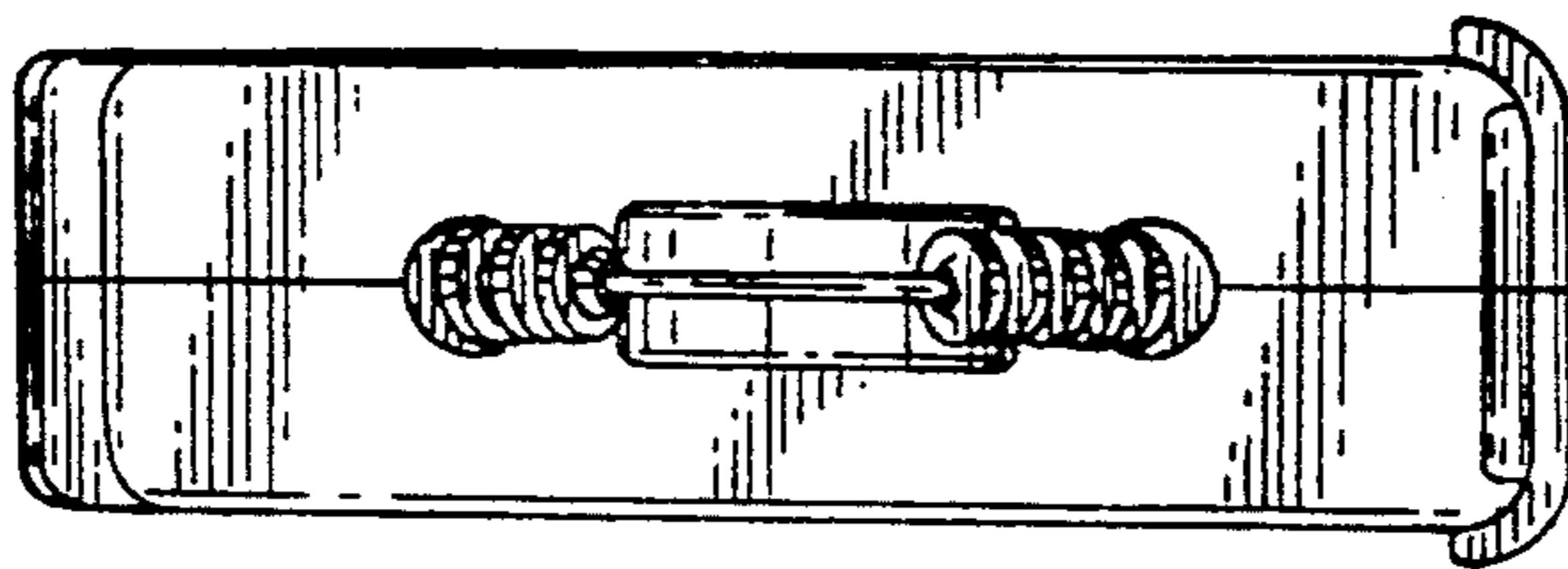


FIG. 5

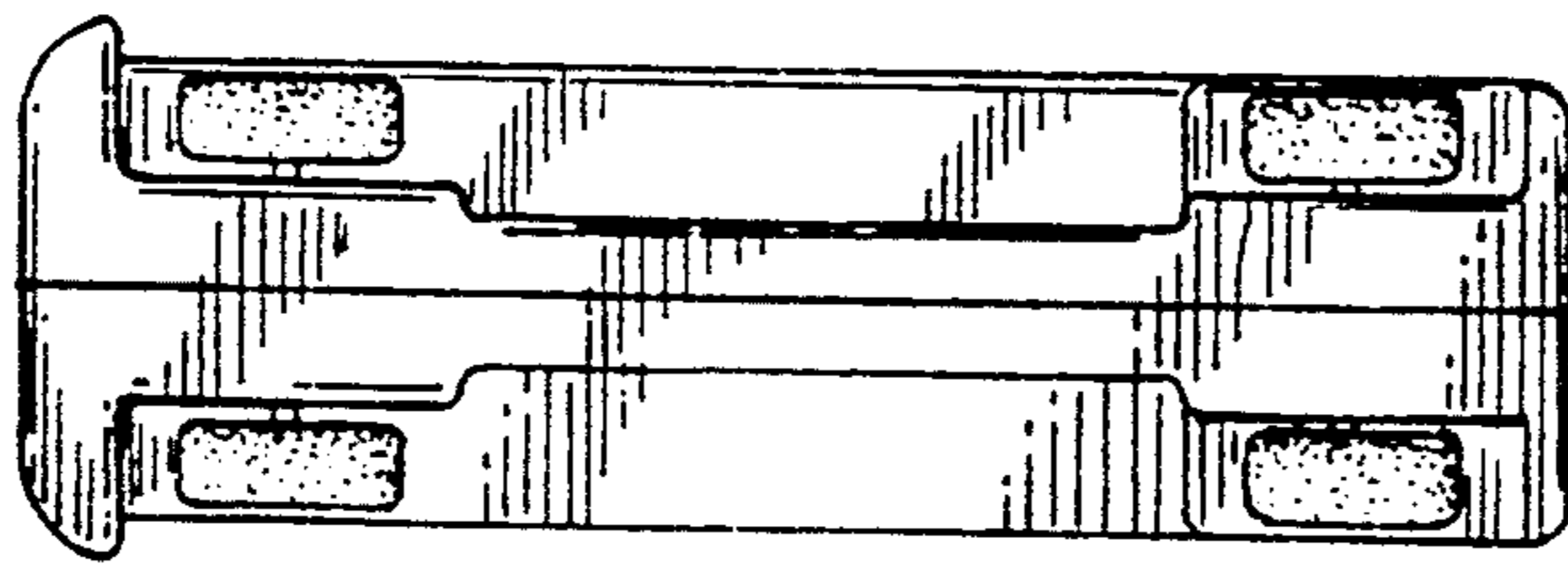


FIG. 6

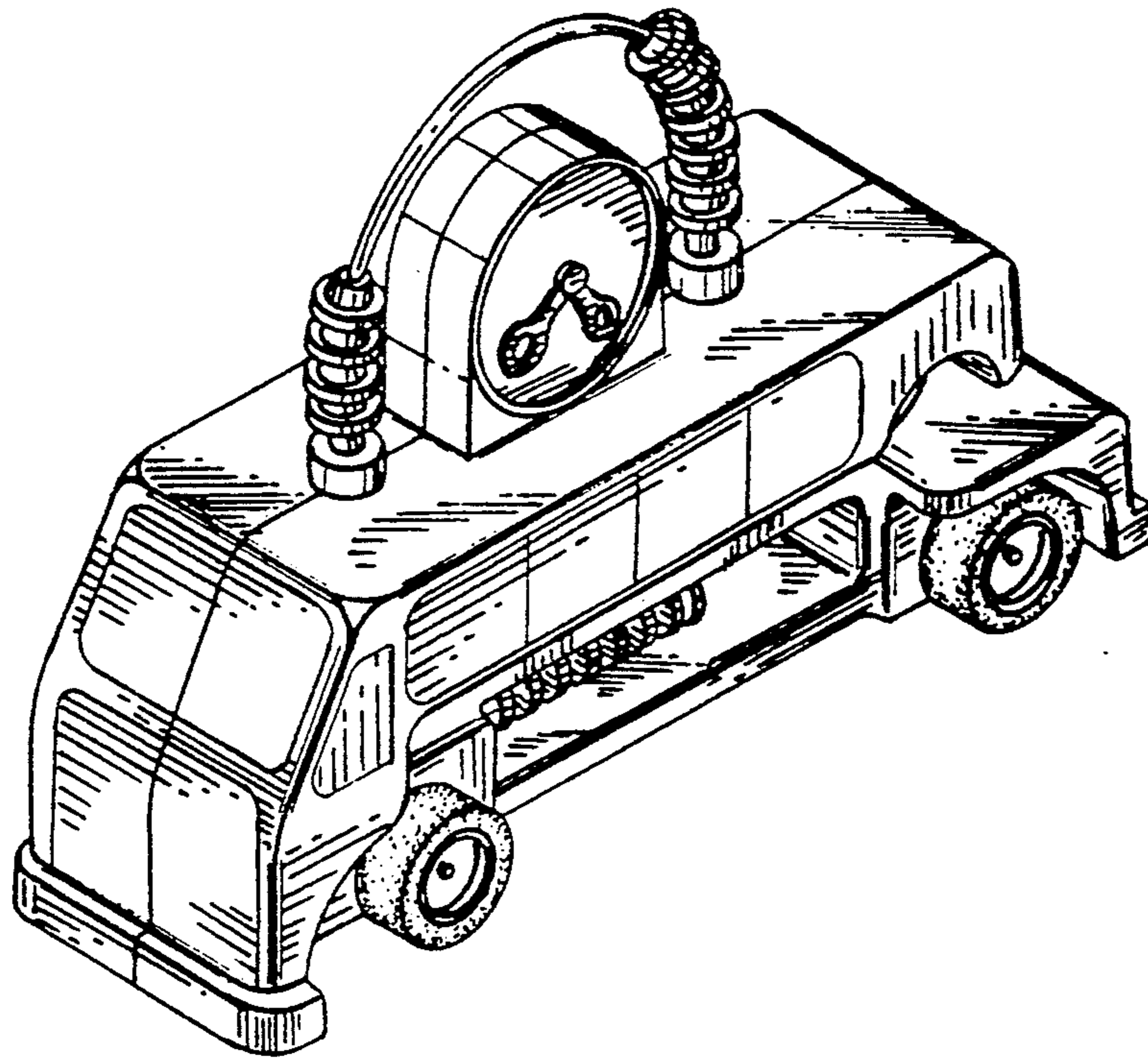


FIG. 7