



US00D329067S

United States Patent [19]

Skov

[11] Patent Number: **Des. 329,067**

[45] Date of Patent: **** Sep. 1, 1992**

[54] CANTILEVER FOR A TOY BUILDING SET

[75] Inventor: **Ib T. Skov, Billund, Denmark**

[73] Assignee: **Interlego A.G., Baar, Switzerland**

[**] Term: **14 Years**

[21] Appl. No.: **621,959**

[22] Filed: **Dec. 4, 1990**

[52] U.S. Cl. **D21/108**

[58] Field of Search **D21/108, 141; D25/115, D25/118; 446/93, 94, 95, 113, 118, 121, 128**

[56] **References Cited**

U.S. PATENT DOCUMENTS

- D. 276,833 12/1984 Byers D21/141
- D. 285,814 9/1986 Byers D21/141
- D. 307,775 5/1990 Pederseh D21/108
- D. 312,489 11/1990 Bromso D21/141

- 3,221,439 12/1965 Schaper 446/95
- 3,654,726 4/1972 Witte 446/103

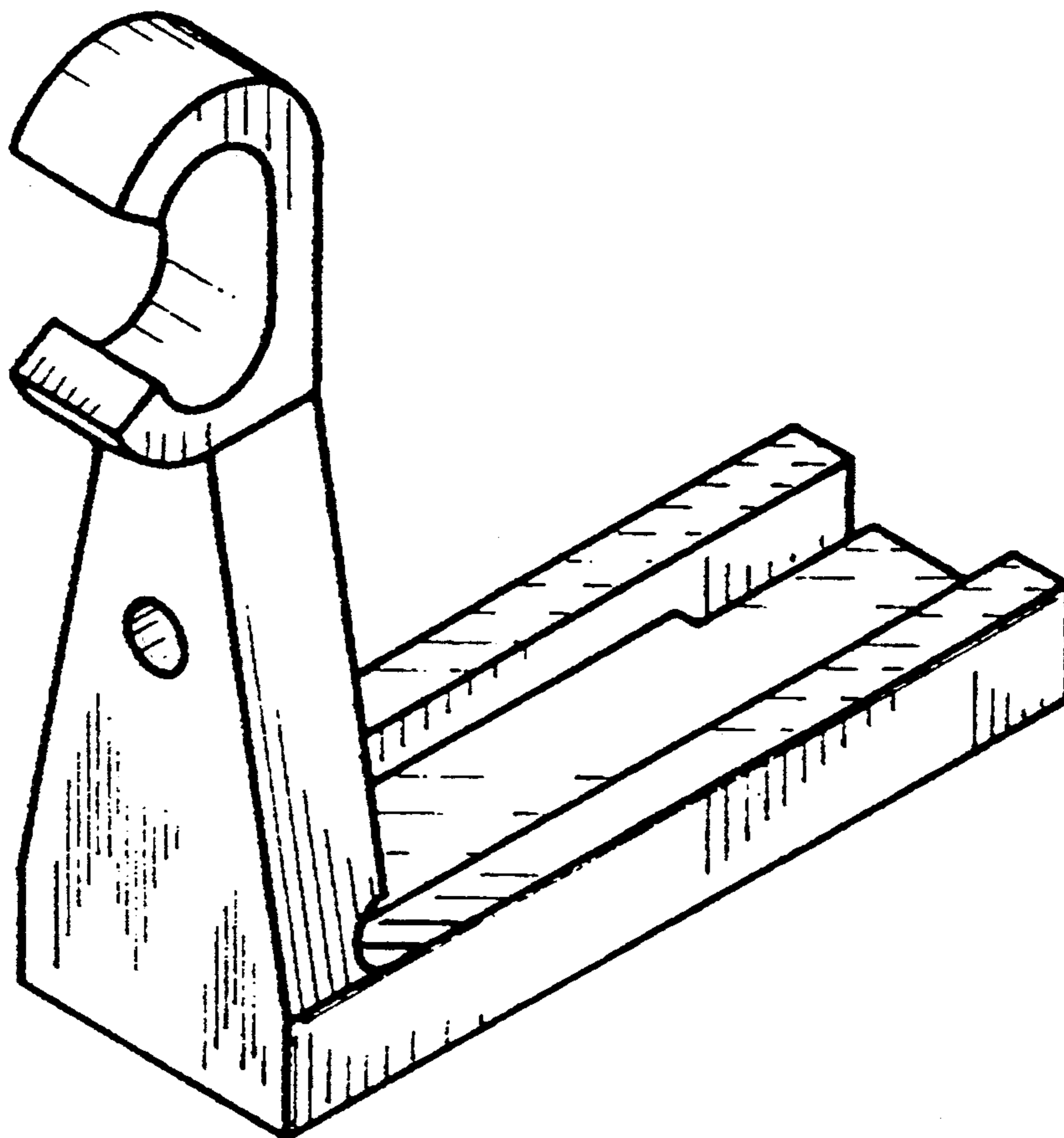
Primary Examiner—Bernard Ansher
Assistant Examiner—R. Barkai
Attorney, Agent, or Firm—Kane, Dalsimer, Sullivan, Kurucz, Levy, Eisele and Richard

[57] **CLAIM**

The ornamental design for a cantilever for a toy building set, as shown and described.

DESCRIPTION

FIG. 1 is a top perspective view of a cantilever for a toy building set showing my new design;
 FIG. 2 is a front elevational view thereof;
 FIG. 3 is a right side elevational view thereof, the left-side elevational view being a mirror image thereof;
 FIG. 4 is a rear side elevational view thereof;
 FIG. 5 is a top plan view thereof; and,
 FIG. 6 is a bottom plan view thereof.



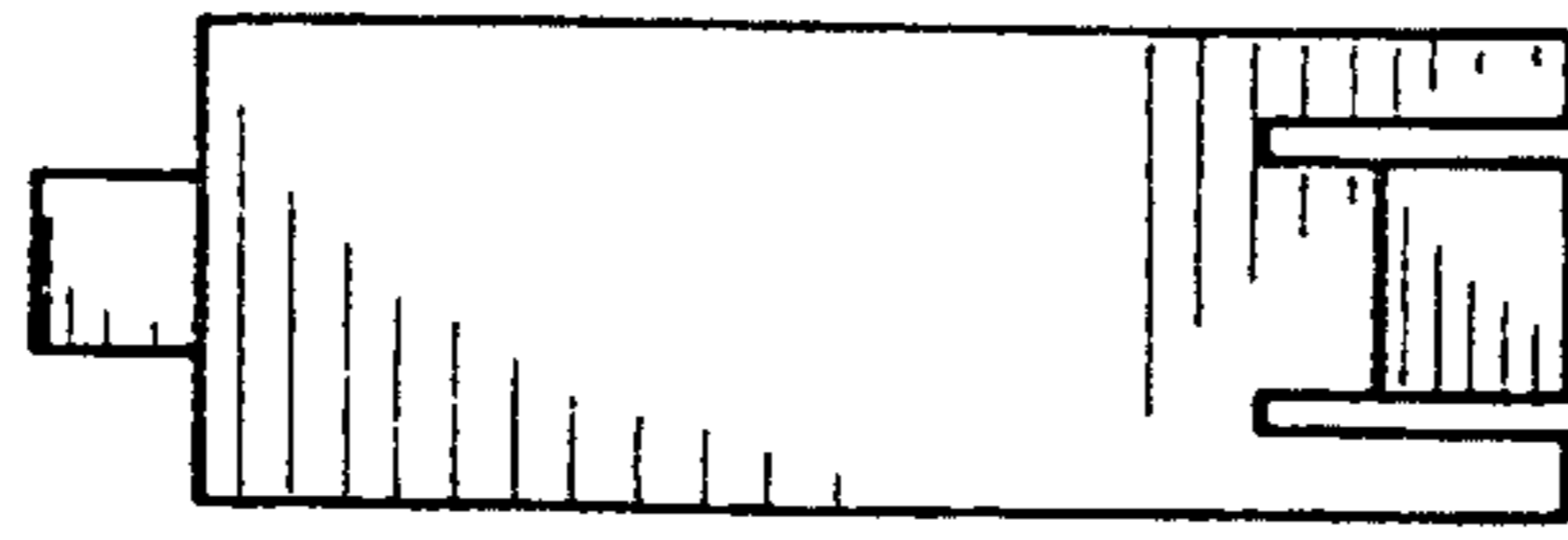


FIG. 6

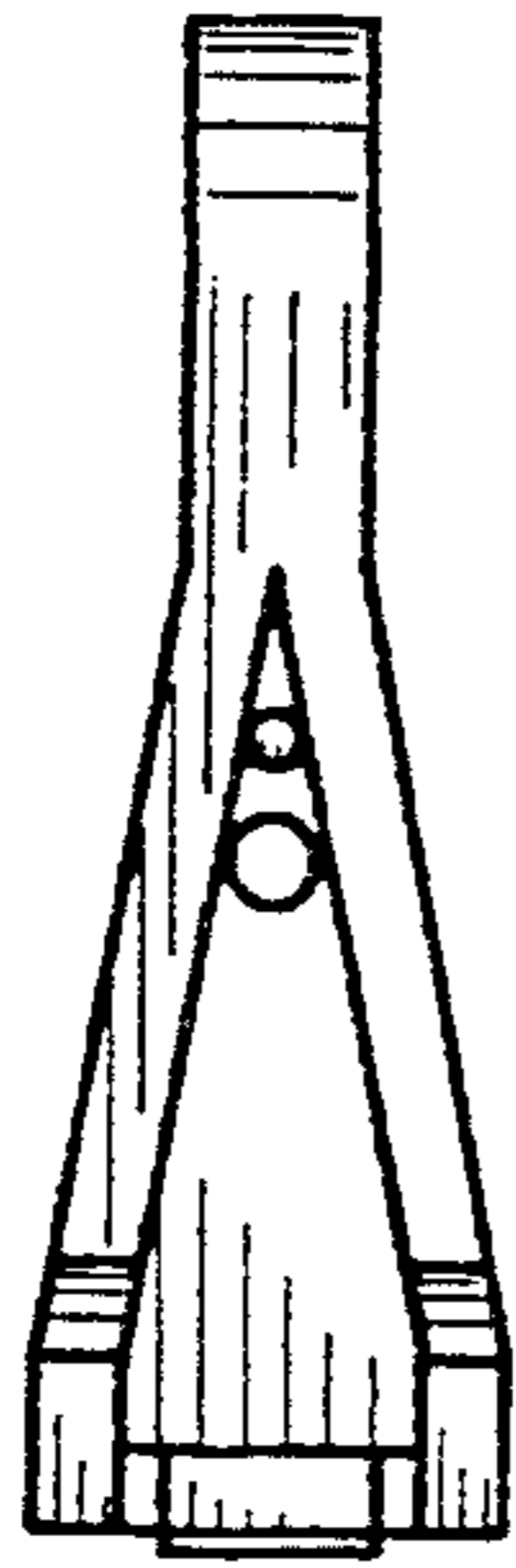


FIG. 4

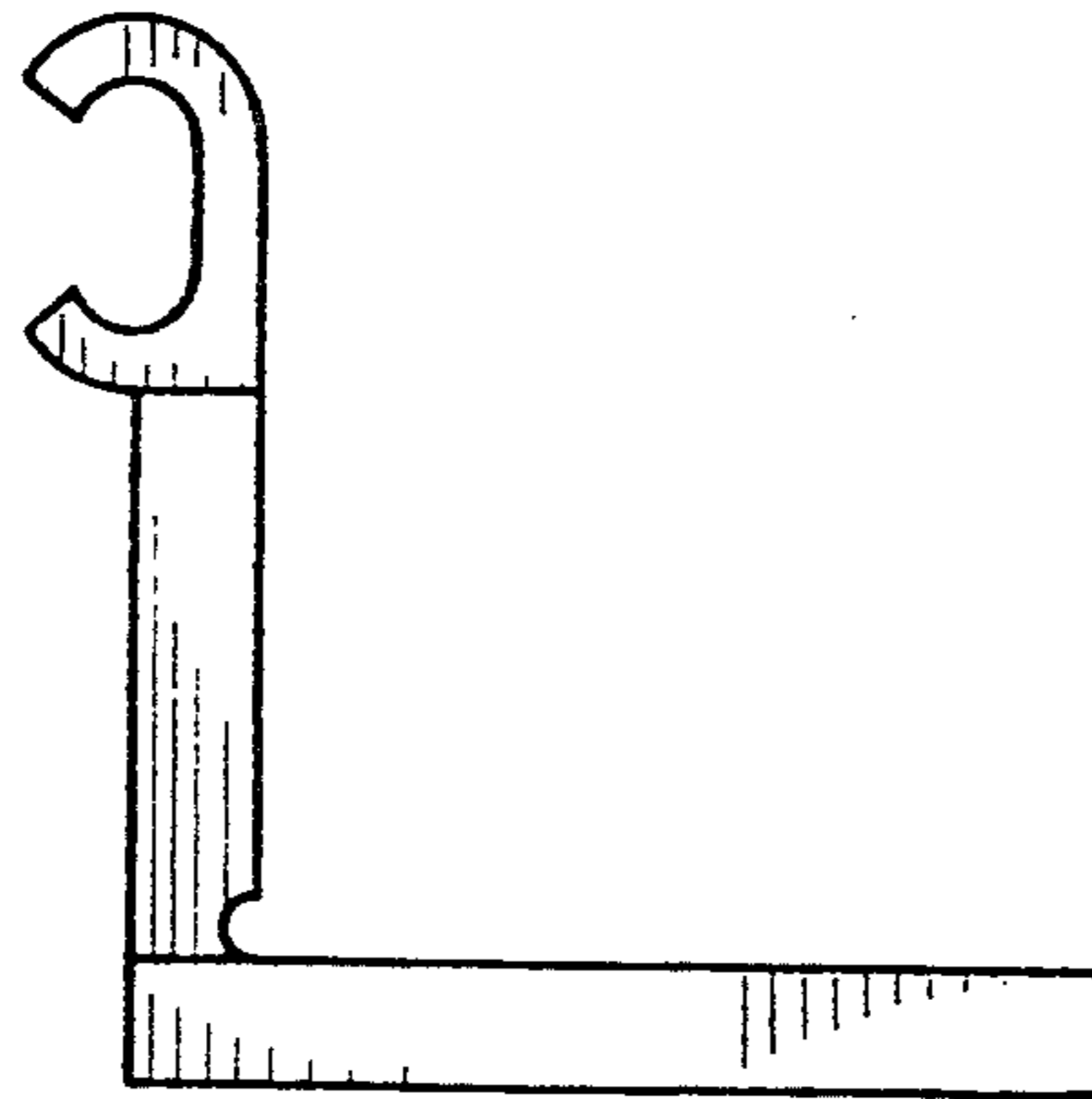


FIG. 3

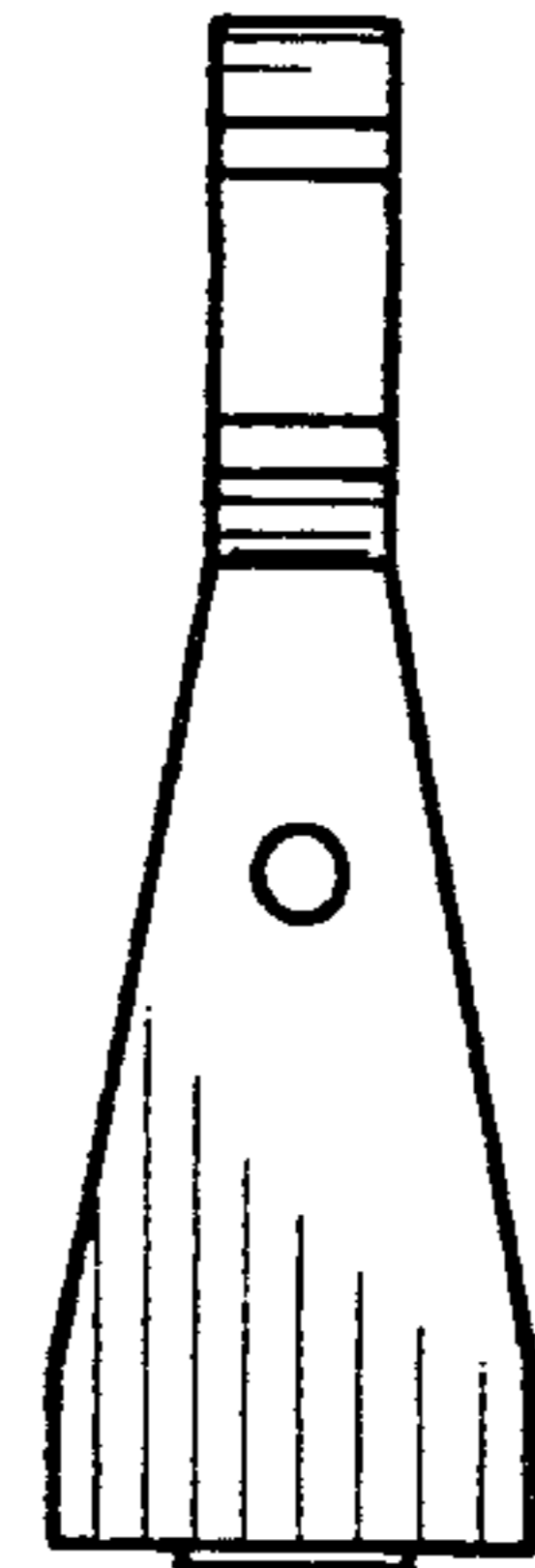


FIG. 2

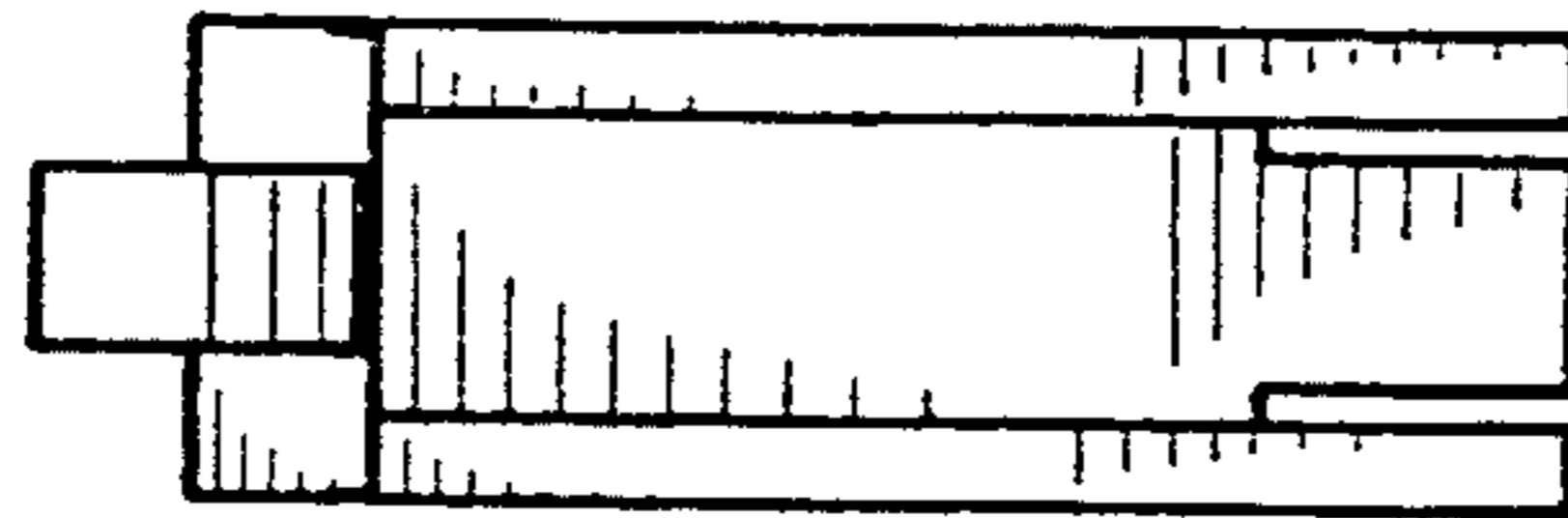


FIG. 5

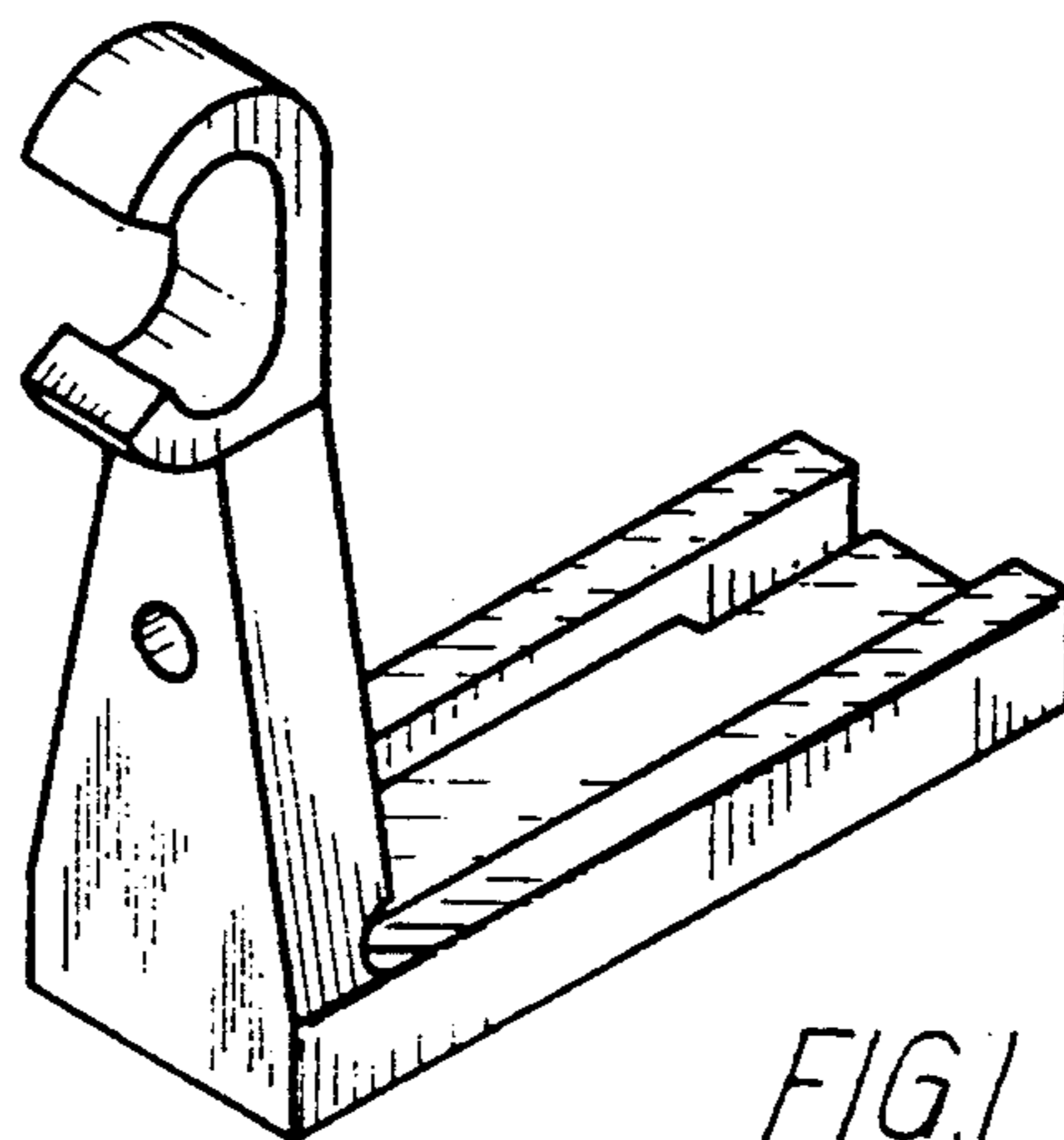


FIG. 1