



US00D329064S

# United States Patent [19]

[11] Patent Number: **Des. 329,064**

Nakazawa et al.

[45] Date of Patent: **\*\* Sep. 1, 1992**

[54] WATER GAME

[56] References Cited

[75] Inventors: **Chieko Nakazawa; Michiaki Tomimatsu**, both of Tokyo, Japan

U.S. PATENT DOCUMENTS

D. 97,021	9/1935	Terrell et al. ....	D21/175
D. 250,357	11/1978	Matsumoto .....	D21/59
D. 259,268	5/1981	Itakura .....	D21/59
D. 263,606	3/1982	Takahashi .....	D21/59
D. 289,911	5/1987	Haesche .....	D21/177
D. 300,753	4/1989	Matsui .....	D21/59
4,362,299	12/1982	Suzuki .....	446/267
4,923,429	5/1990	Lewis .....	446/267

[73] Assignee: **Tomy Company, Ltd.**, Tokyo, Japan

[\*\*] Term: **14 Years**

*Primary Examiner*—Charles A. Rademaker  
*Attorney, Agent, or Firm*—Staas & Halsey

[21] Appl. No.: **654,909**

### [57] CLAIM

[22] Filed: **Feb. 13, 1991**

The ornamental design for a water game, as shown.

### [30] Foreign Application Priority Data

Aug. 13, 1990 [JP] Japan ..... 2-27479

[52] U.S. Cl. .... **D21/59; D21/176**

[58] Field of Search ..... D21/59, 63, 5, 27, 12,  
D21/176, 177, 175; 273/1, 4, 350, 120 R;  
446/267

### DESCRIPTION

FIG. 1 is a front elevational view of a water game showing our new design;  
FIG. 2 is a rear elevational view thereof;  
FIG. 3 is a right-side elevational view thereof;  
FIG. 4 is a left-side elevational view thereof;  
FIG. 5 is a top plan view thereof; and,  
FIG. 6 is a bottom plan view.

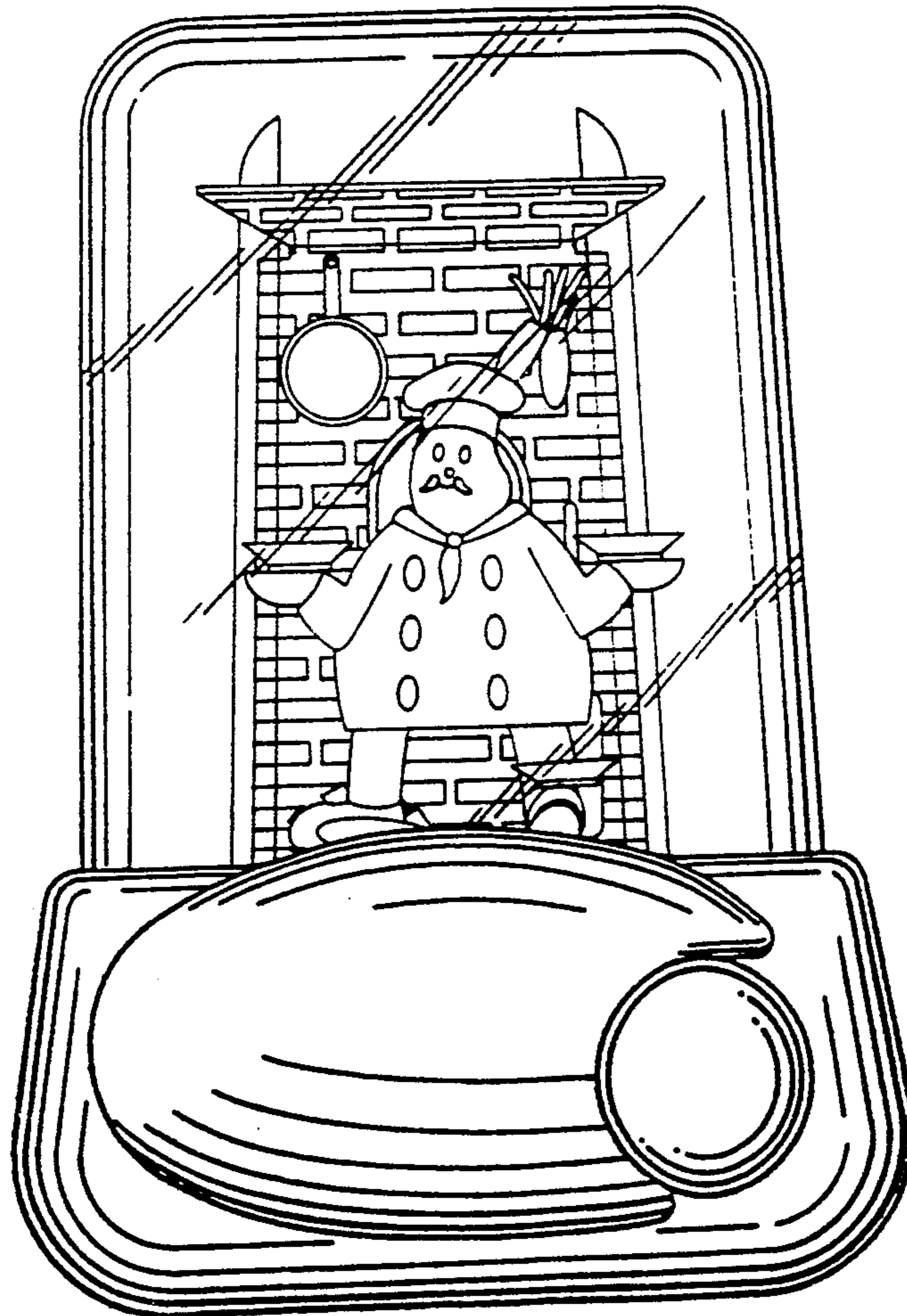


FIG. 2

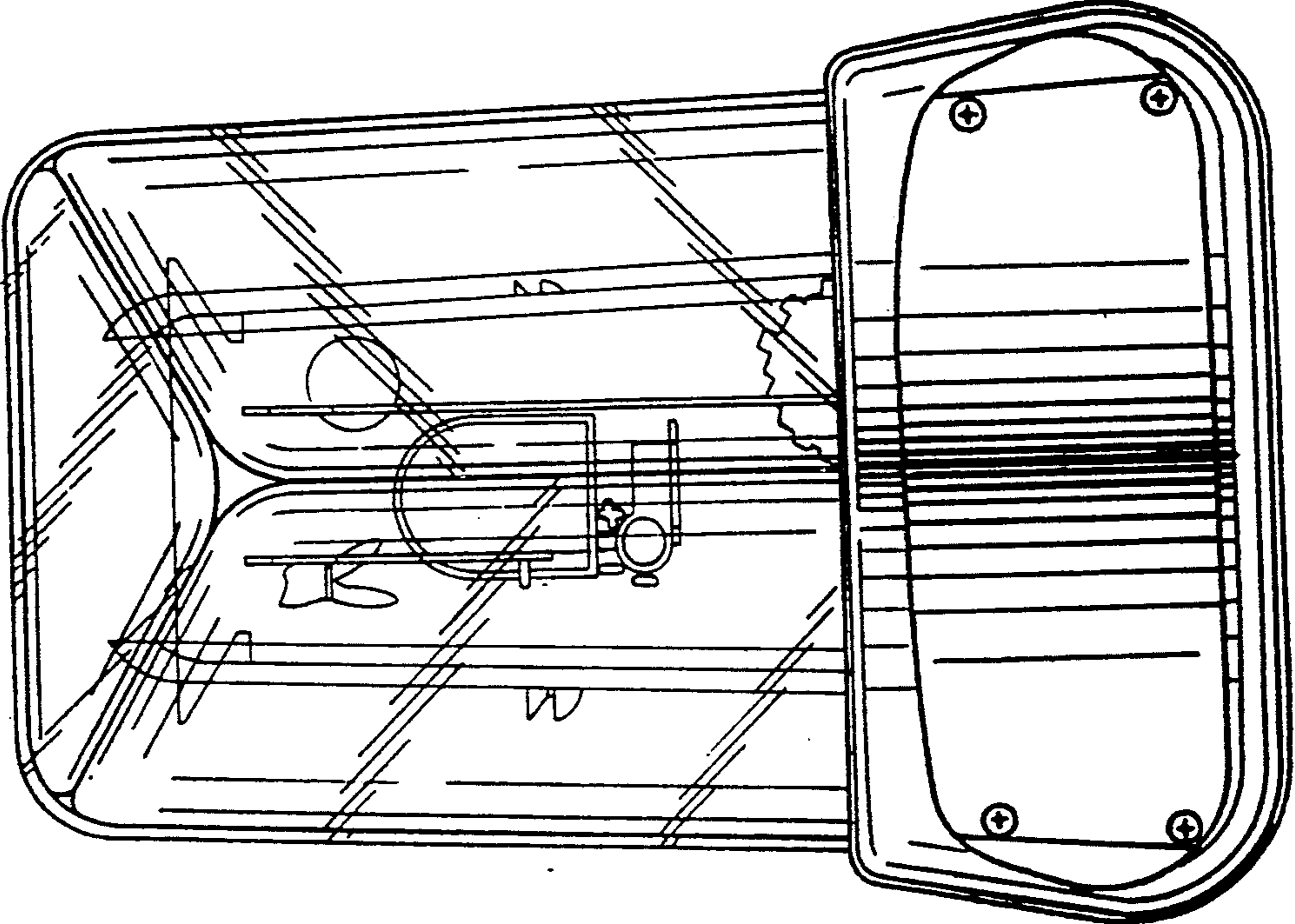


FIG. 1

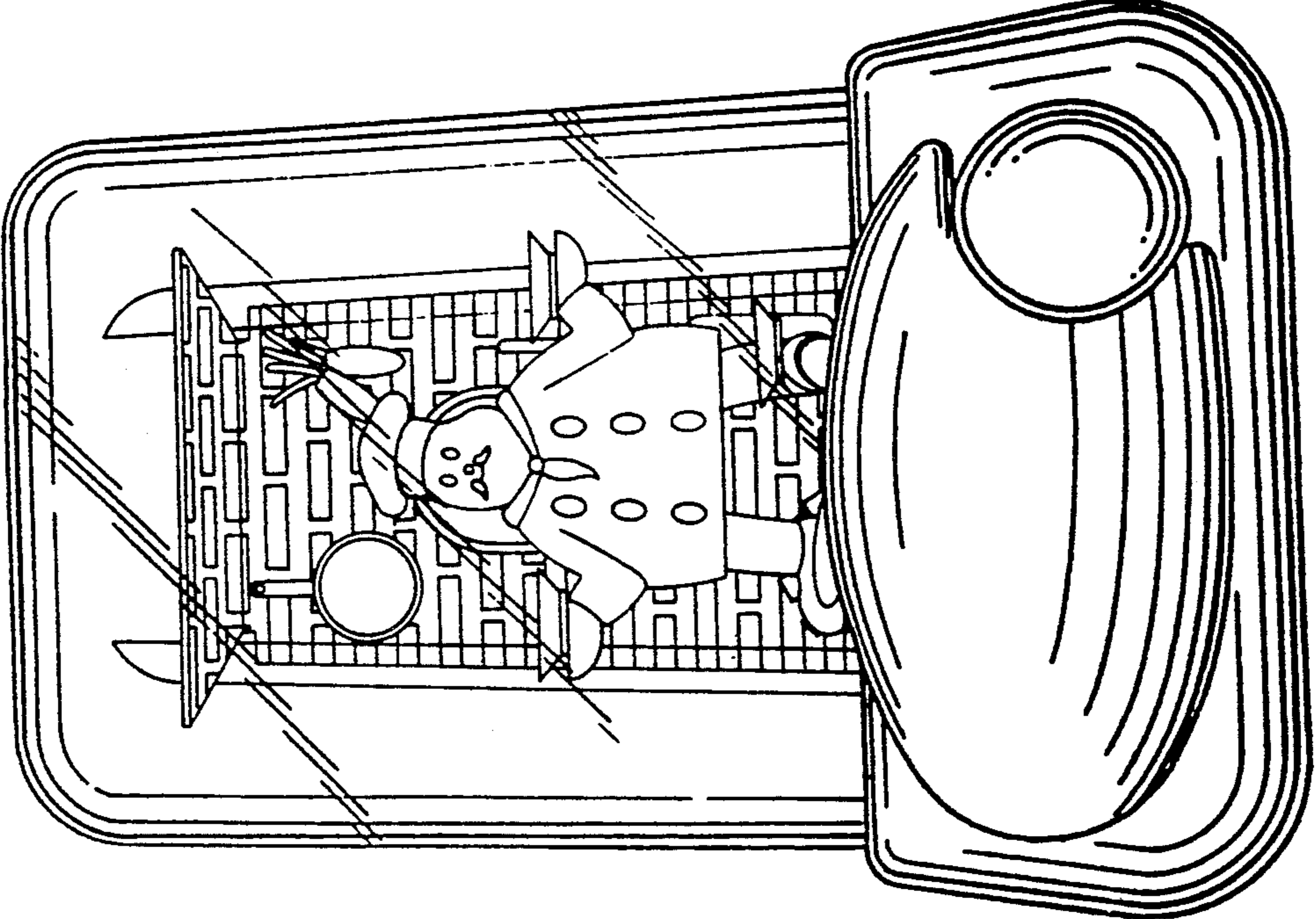




FIG. 4

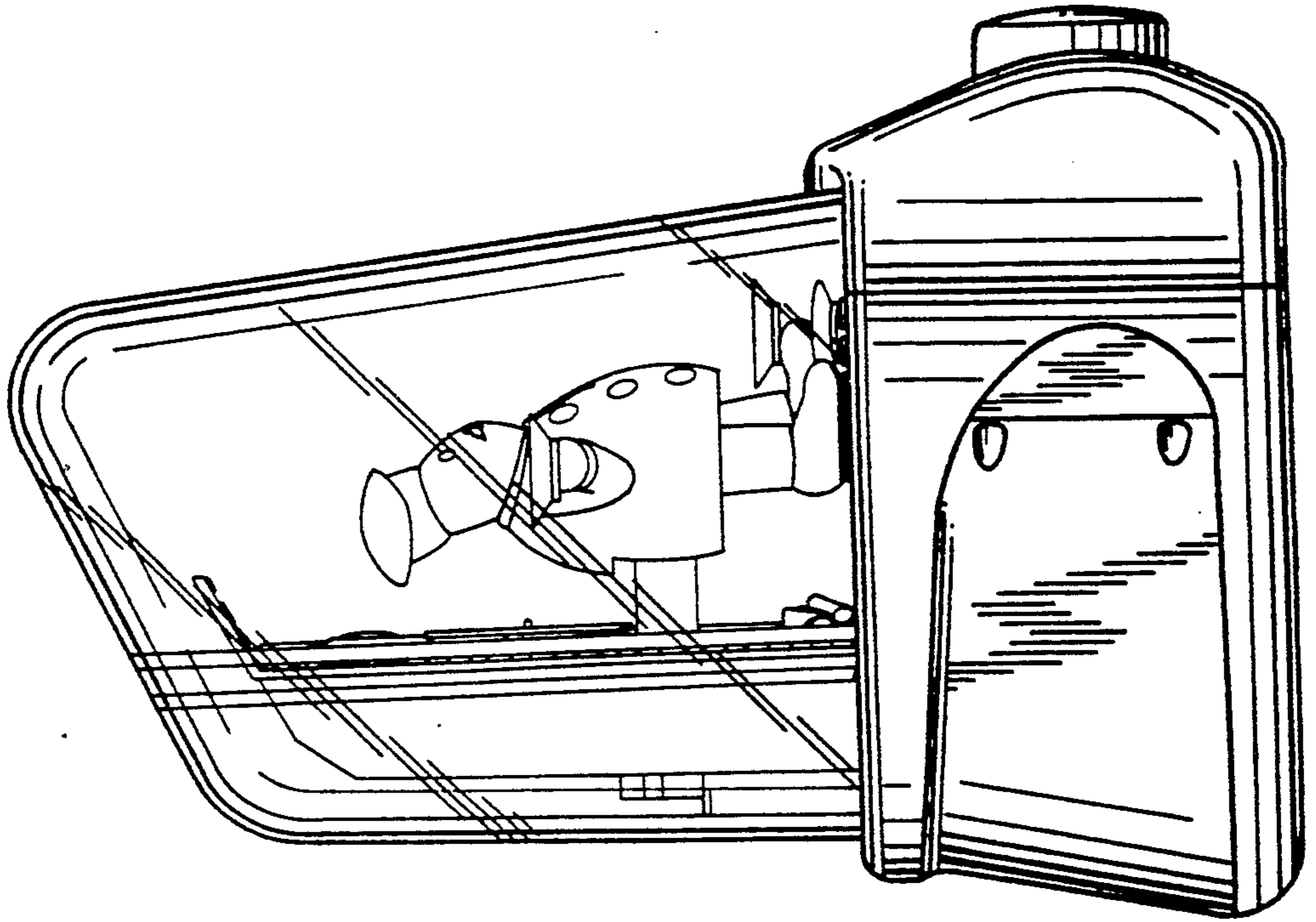
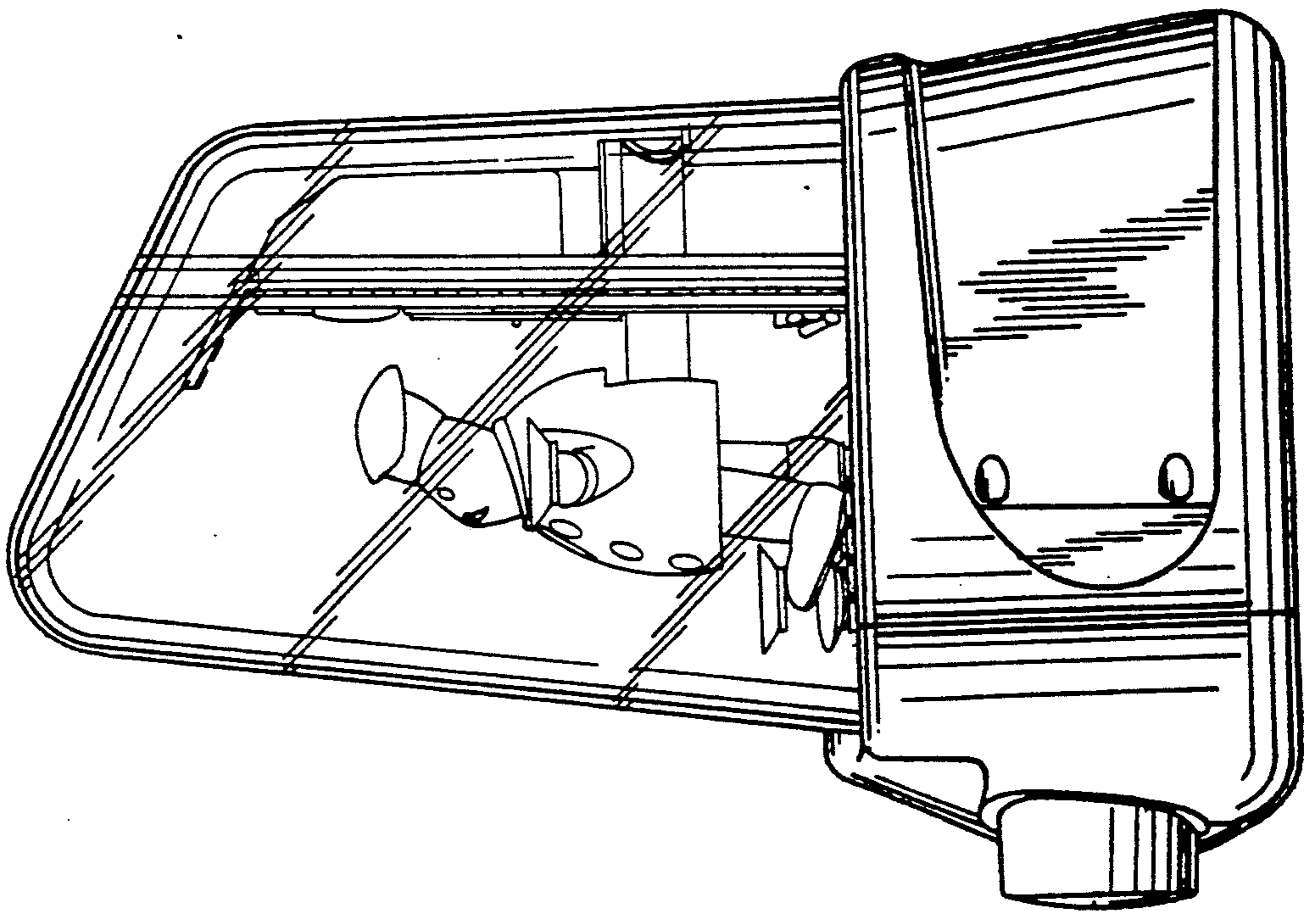
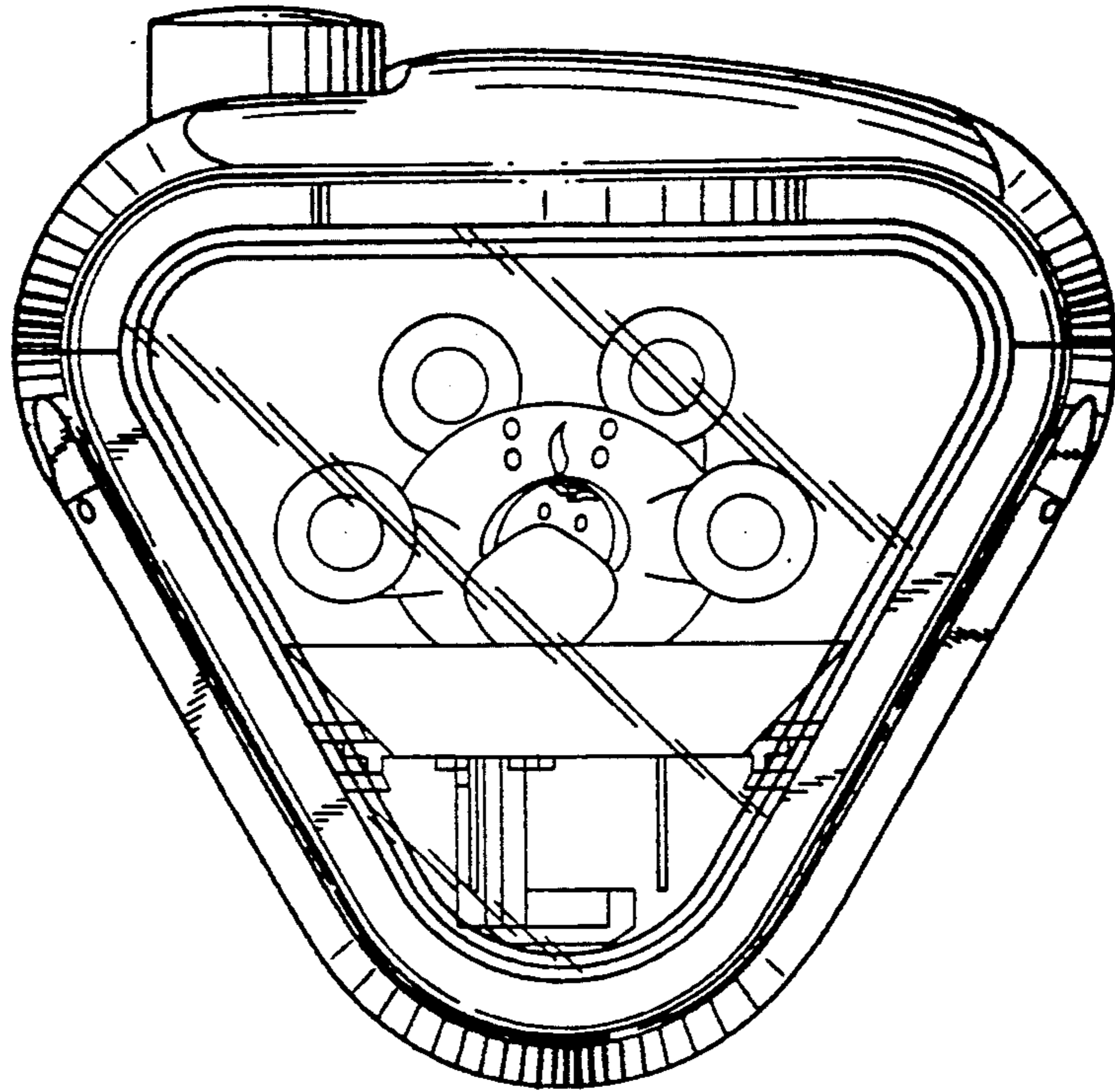


FIG. 3



**FIG. 5**



**FIG. 6**

